

[54] **PICTURE FRAME COMPONENT**

2,154,599 4/1939 Beckwith ..... 52/657 X

[76] **Inventor: Mario M. Rathle, 24 Lewis Rd., Belmont, Mass. 02178**

[\*\*] **Term: 14 Years**

[21] **Appl. No.: 401,639**

[22] **Filed: Jul. 26, 1982**

[52] **U.S. Cl. .... D6/300**

[58] **Field of Search ..... D6/232, 246, 191; D8/382, 394; 52/657; 403/205, 231, 403, 405; 40/156, 157, 158 A**

[56] **References Cited**

**U.S. PATENT DOCUMENTS**

D. 35,089	9/1901	Child .....	D6/246
D. 259,083	5/1981	Riegsecker .....	D6/246
287,441	10/1883	Jones .....	403/231
292,003	1/1884	Garretson .....	403/231
549,337	11/1895	Stagg, Jr. ....	40/156
1,413,918	4/1922	Lamb .....	403/231

**OTHER PUBLICATIONS**

Luggage & Leather Goods, 8/56, p. 80, top left.

*Primary Examiner*—Bernard Ansher

*Assistant Examiner*—Terry Pfeffer

*Attorney, Agent, or Firm*—John E. Toupal; Harold G. Jarcho

[57] **CLAIM**

The original design for a picture frame component, substantially as shown and disclosed.

**DESCRIPTION**

FIG. 1 is a perspective top view of a picture frame component showing my new design;

FIG. 2 is a rear elevational view thereof;

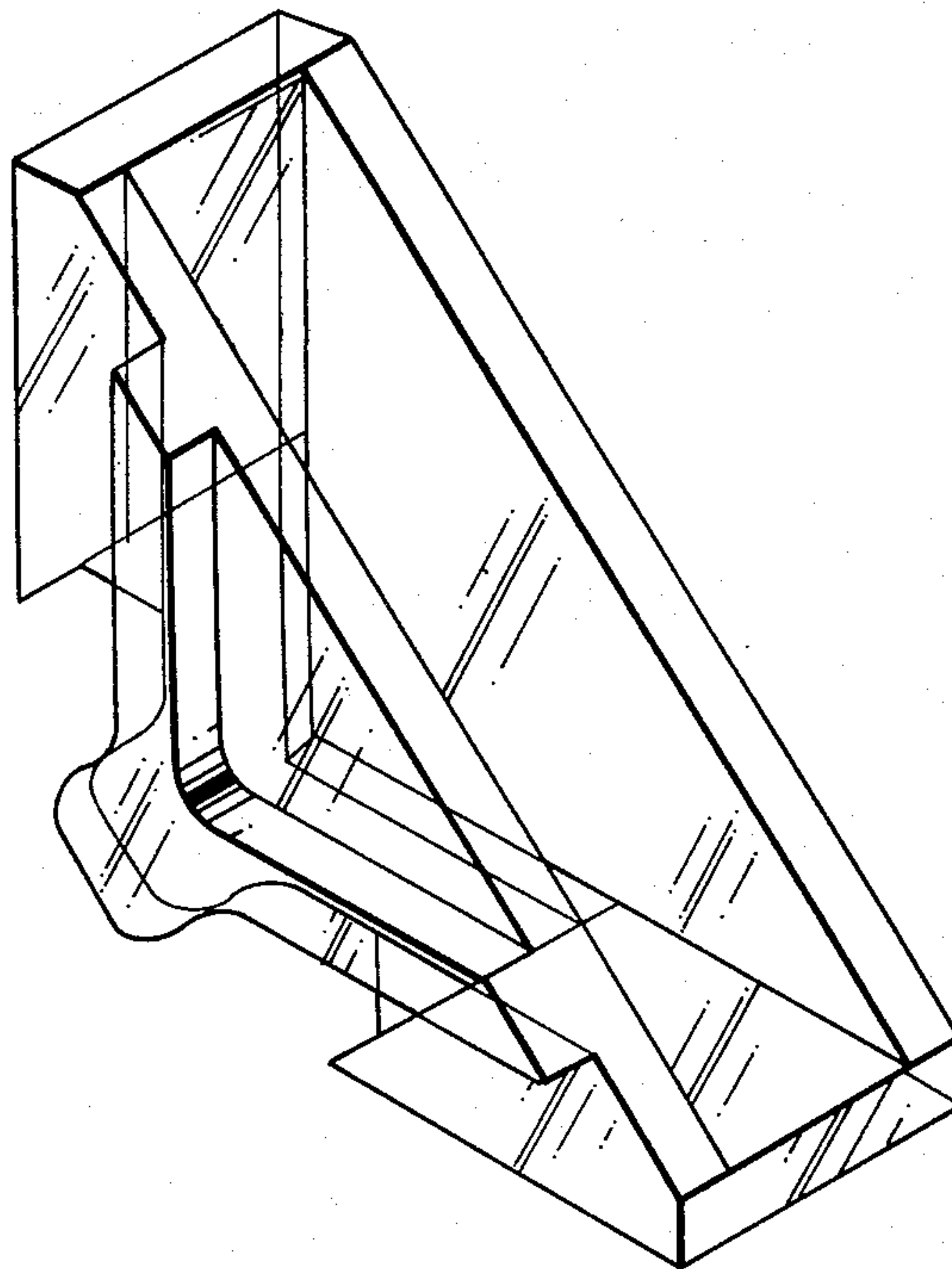
FIG. 3 is a top plan view thereof;

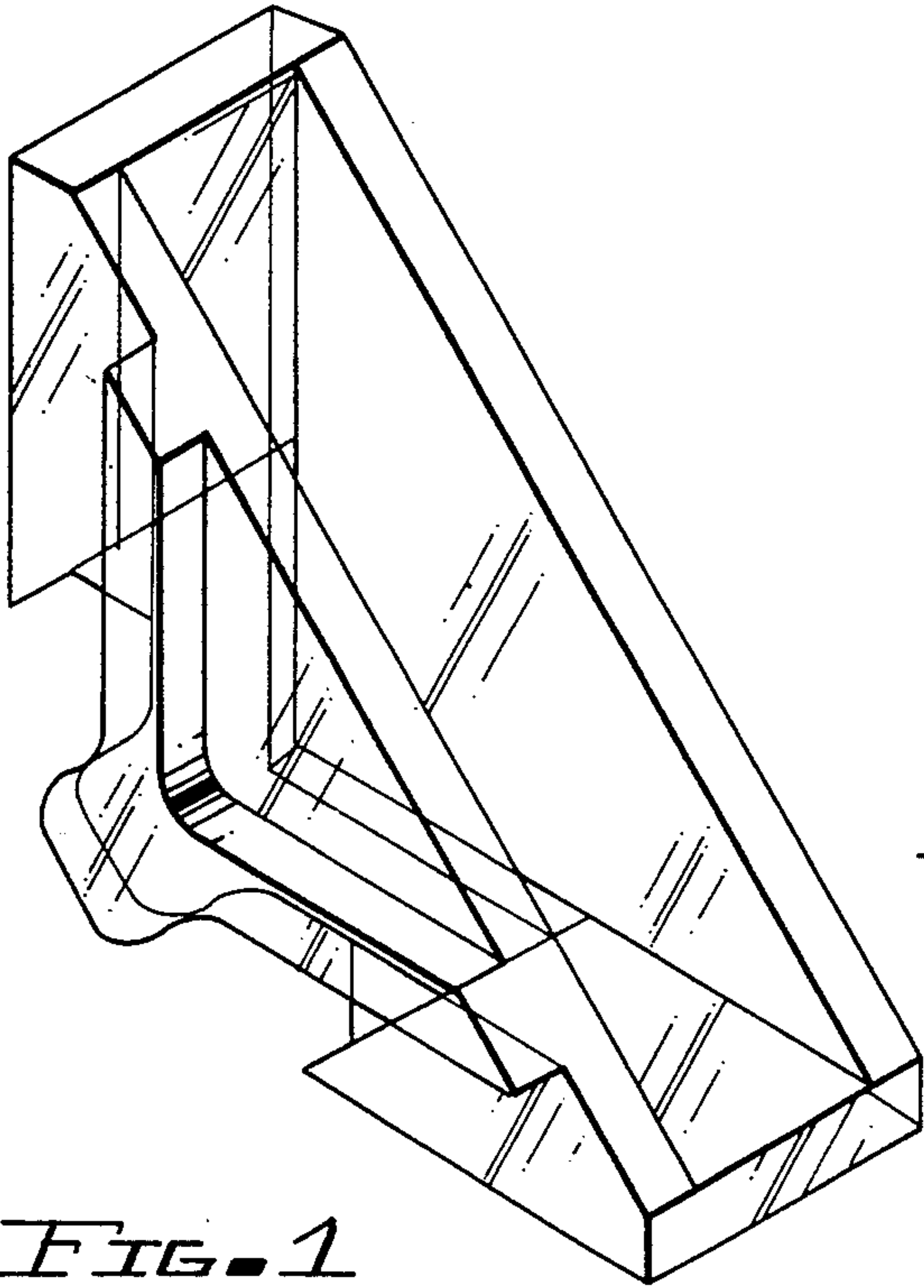
FIG. 4 is a bottom plan view thereof;

FIG. 5 is a front elevational view thereof;

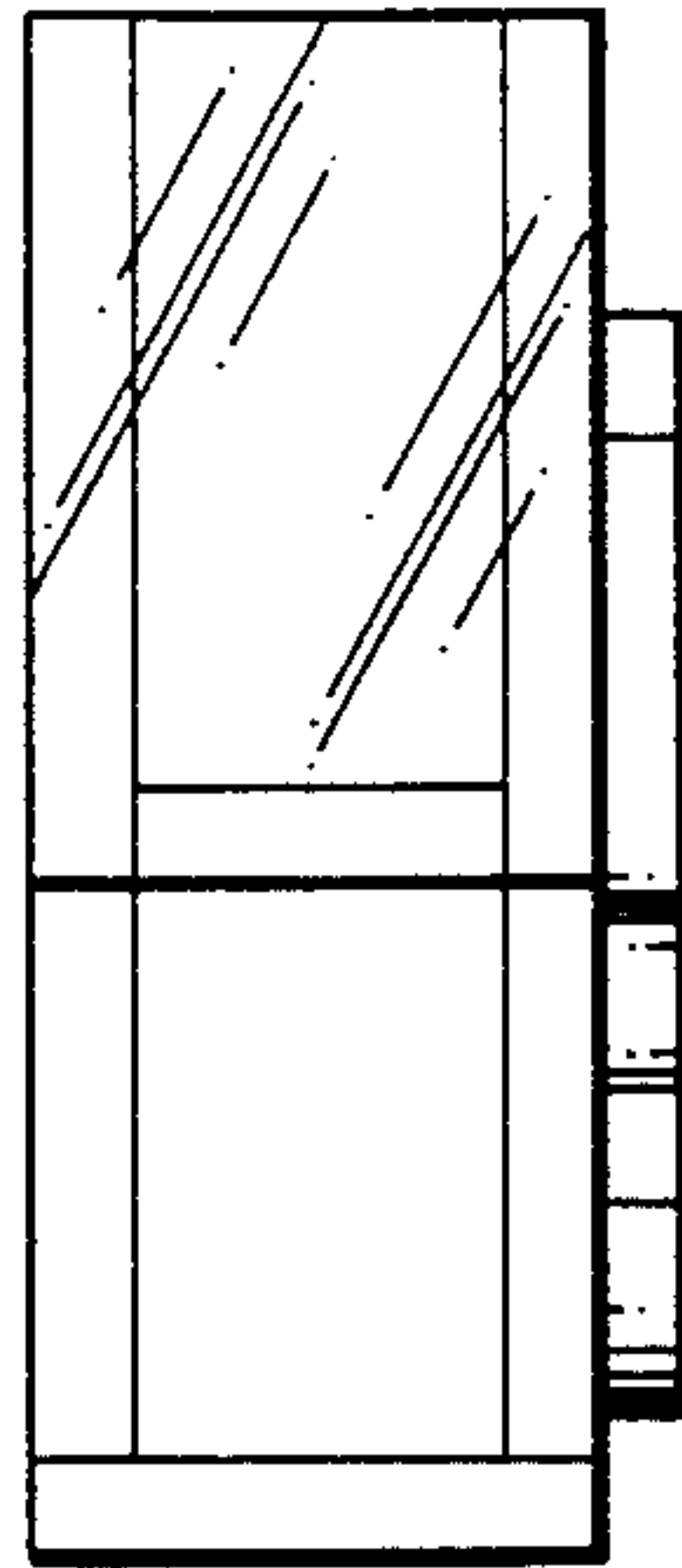
FIG. 6 is a right elevational view thereof; and

FIG. 7 is a bottom, rear isometric view thereof.

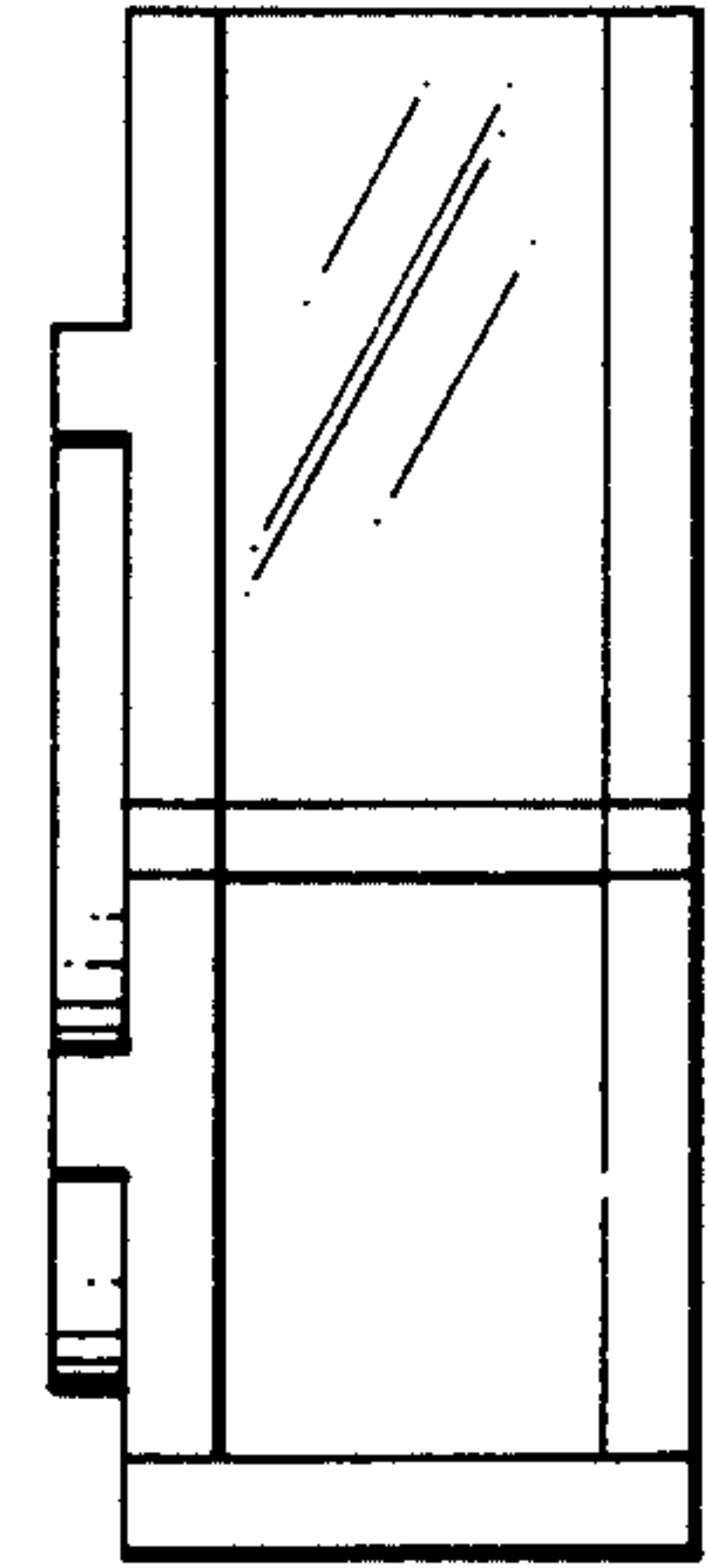




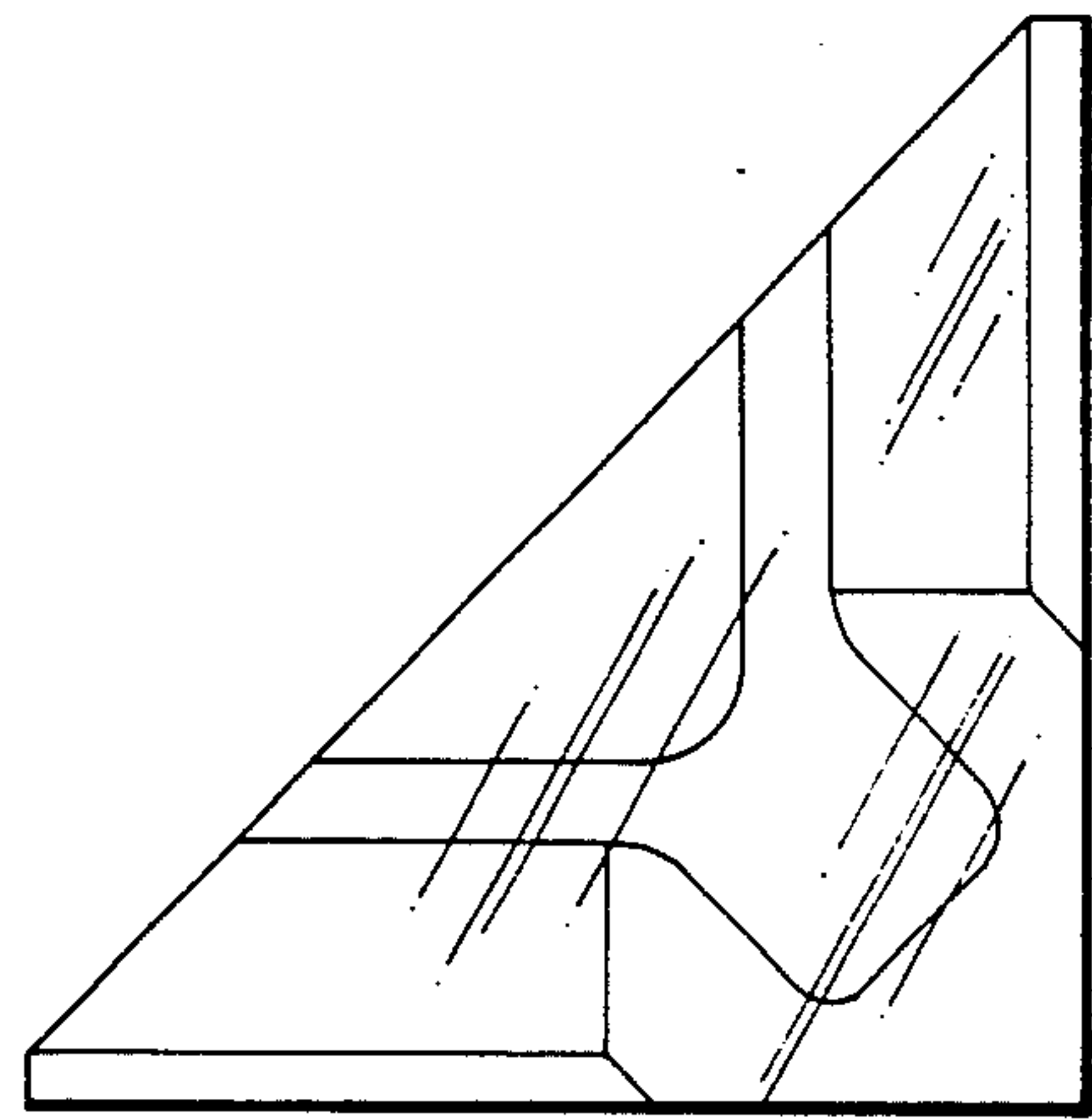
*FIG. 1*



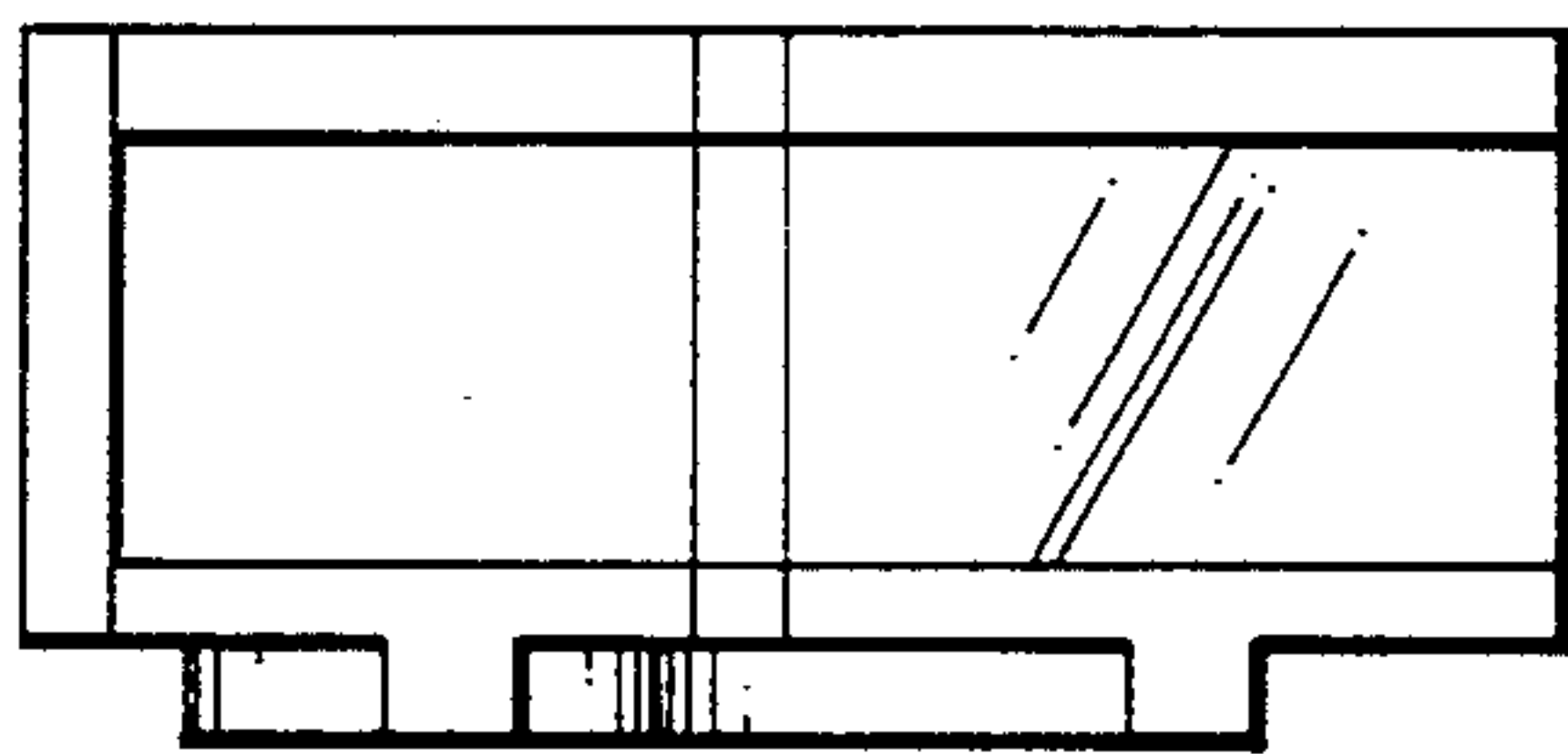
*FIG. 2*



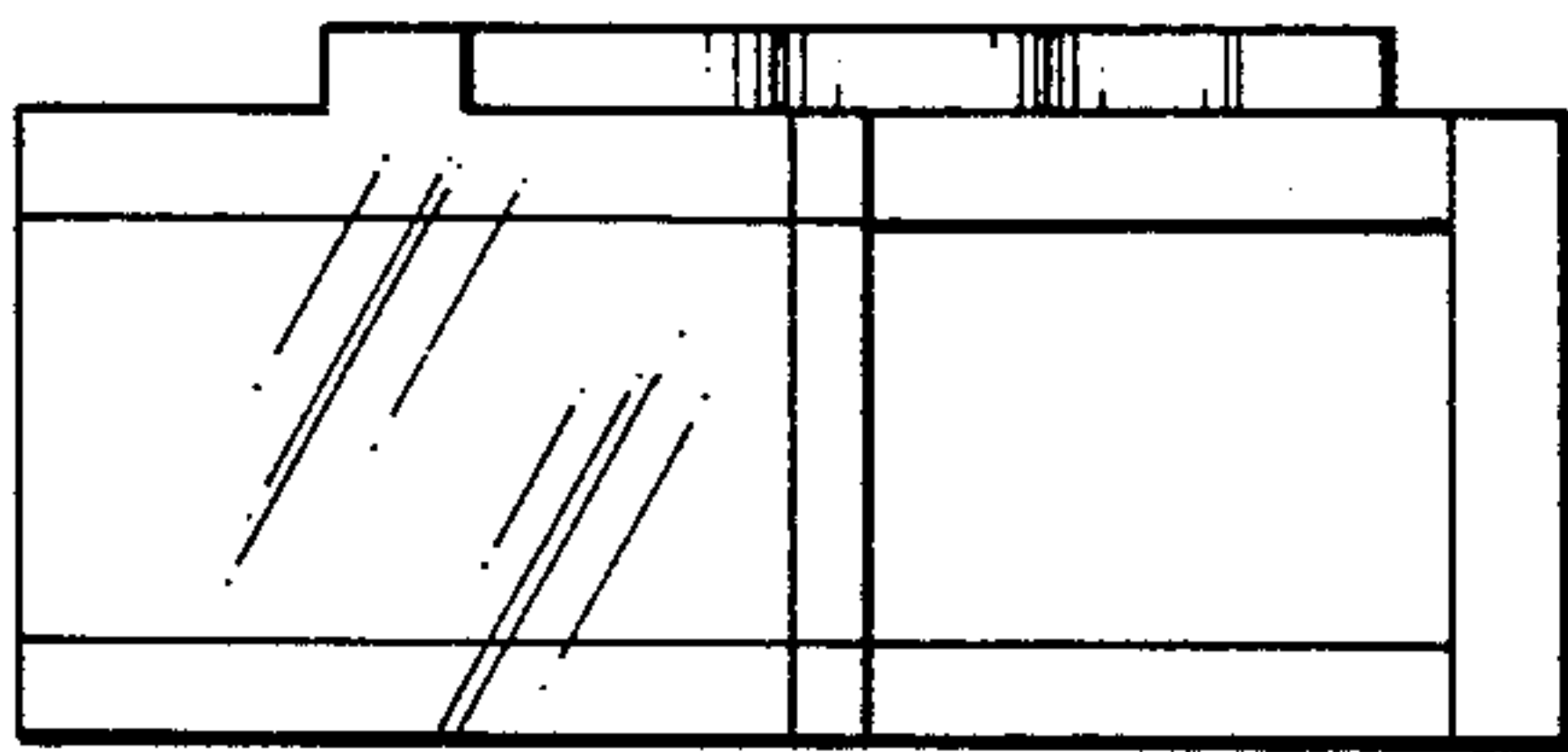
*FIG. 5*



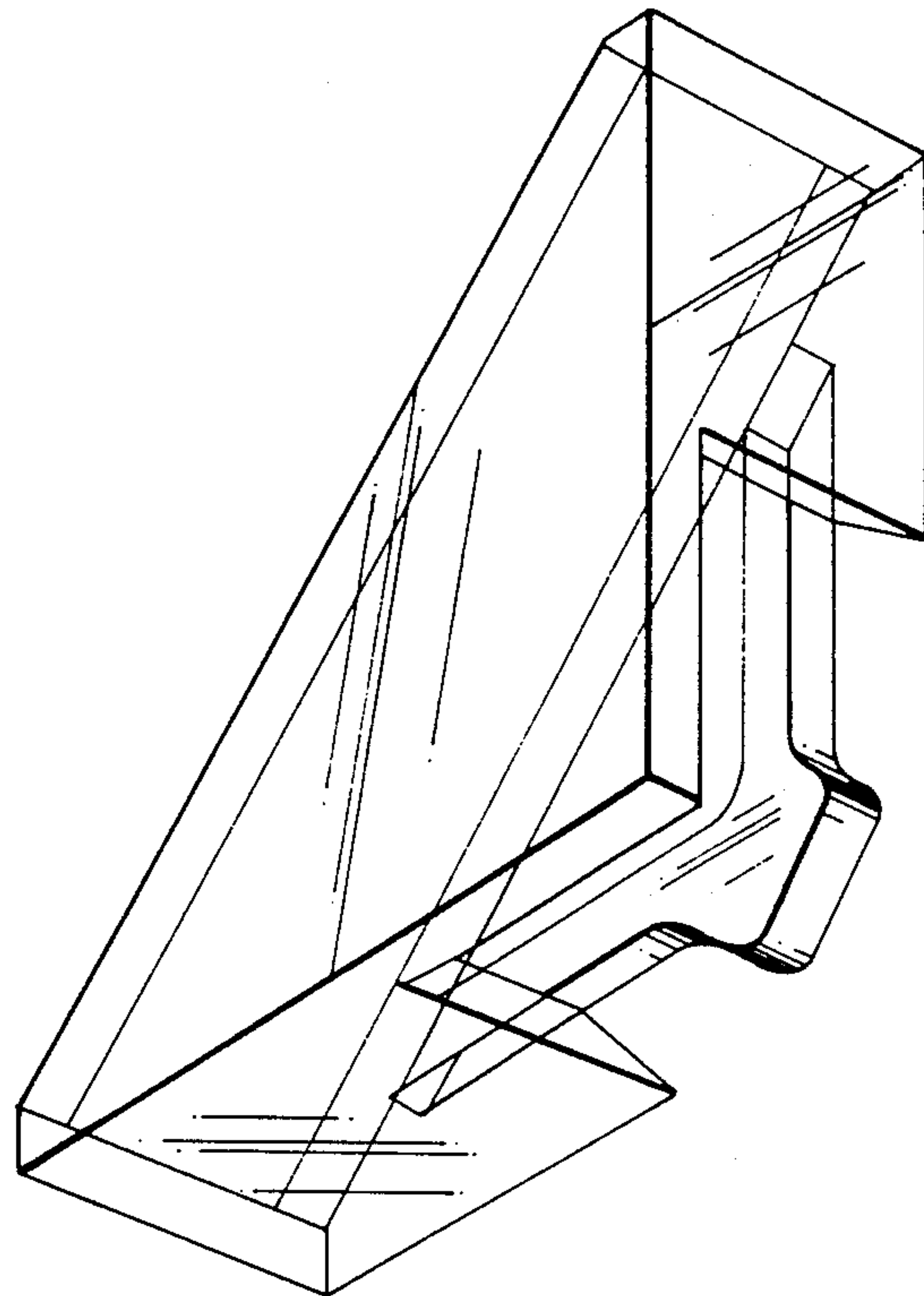
*FIG. 6*



*FIG. 3*



*FIG. 4*



*FIG. 7*