

[54] **BOX FOR HOLDING RECORD DISCS**

[75] **Inventor: Kenji Ekuan, Tokyo, Japan**

[73] **Assignee: C. I. Kasei Co., Ltd., Tokyo, Japan**

[**] **Term: 14 Years**

[21] **Appl. No.: 529,808**

[22] **Filed: Sep. 6, 1983**

[52] **U.S. Cl. D3/35; D3/30.1; D19/90**

[58] **Field of Search D3/30.1, 33, 35; D19/90, 91; 312/9, 10, 13, 120, 123; 206/309, 311, 387; 211/40**

[56] **References Cited**

U.S. PATENT DOCUMENTS

D. 273,259	4/1984	Gullett	D19/91
1,120,872	12/1914	Weis	206/309
2,967,079	1/1961	Paruls	D19/90

3,374,041	3/1968	Davis	312/10
3,656,629	4/1972	Irion	211/40
3,743,374	7/1973	Glass	312/10

Primary Examiner—George P. Word
Attorney, Agent, or Firm—Sughrue, Mion, Zinn, Macpeak & Seas

[57] **CLAIM**

The ornamental design for a box for holding record discs, as shown.

DESCRIPTION

FIG. 1 is a front, top and right side perspective view of a box for holding record discs, showing my new design; FIG. 2 is a front elevational view thereof; FIG. 3 is a rear elevational view thereof; FIG. 4 is a top plan view thereof; FIG. 5 is a bottom plan view thereof; FIG. 6 is a left side elevational view thereof; and FIG. 7 is a right side elevational view thereof.

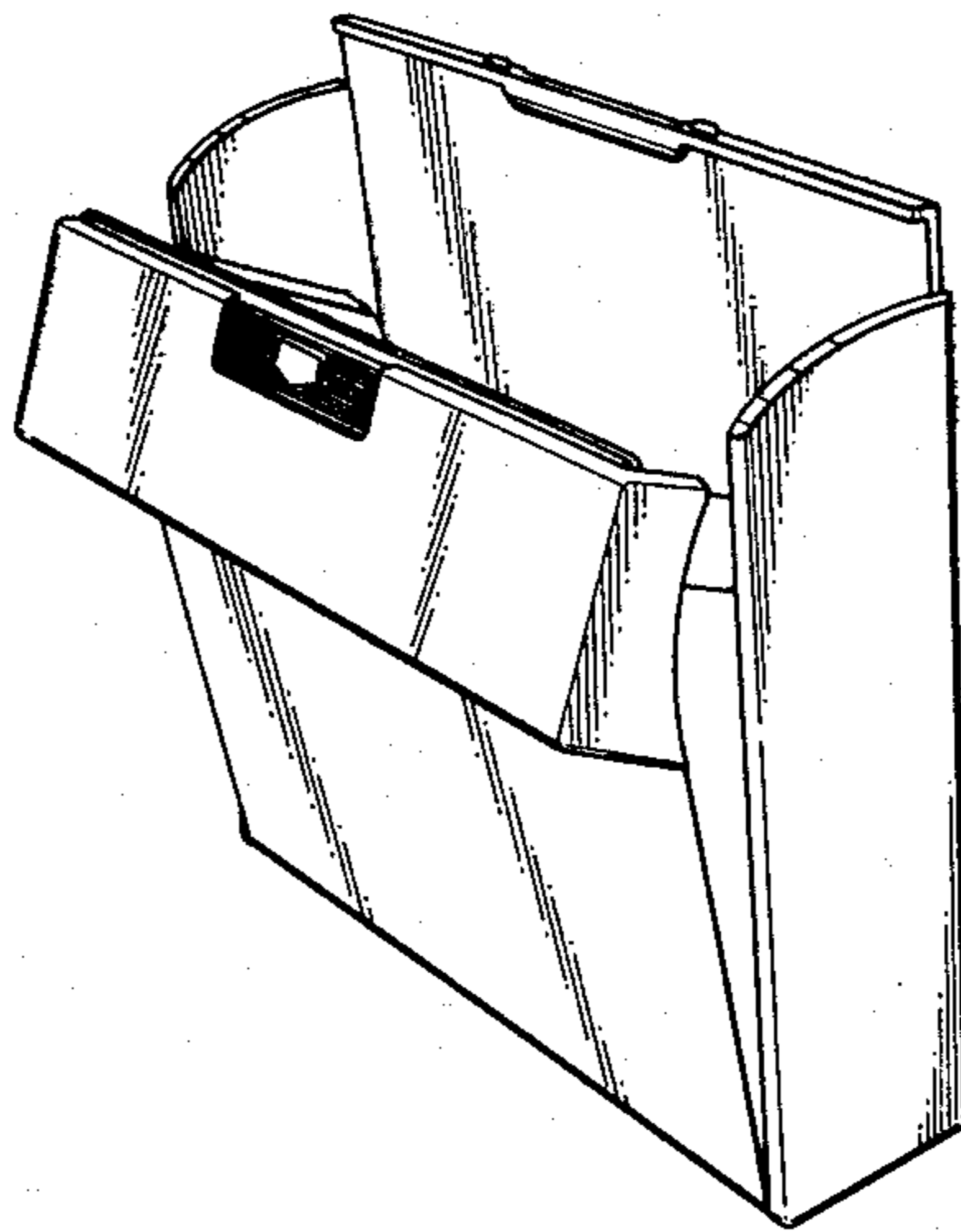


Fig. 1

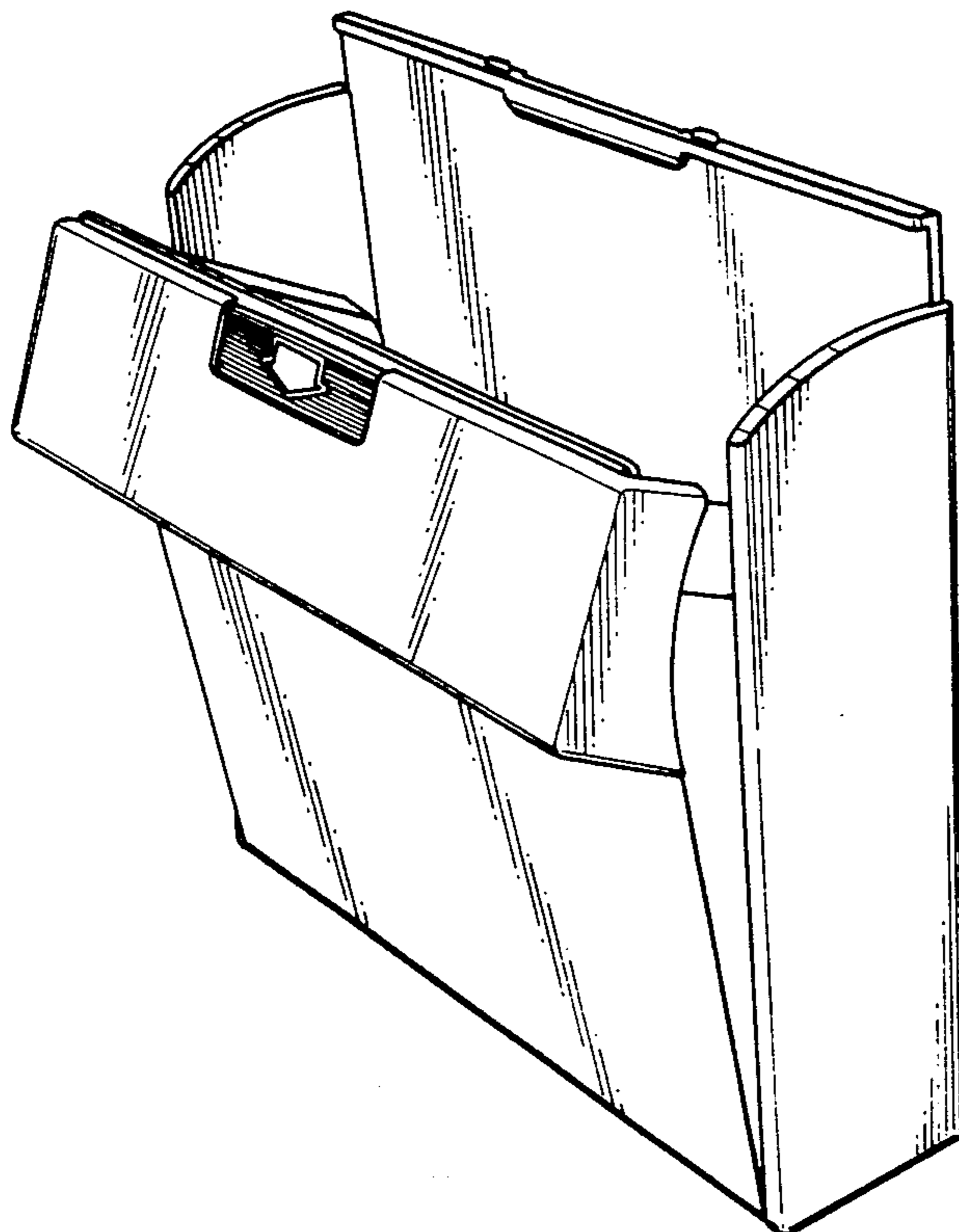


Fig. 2

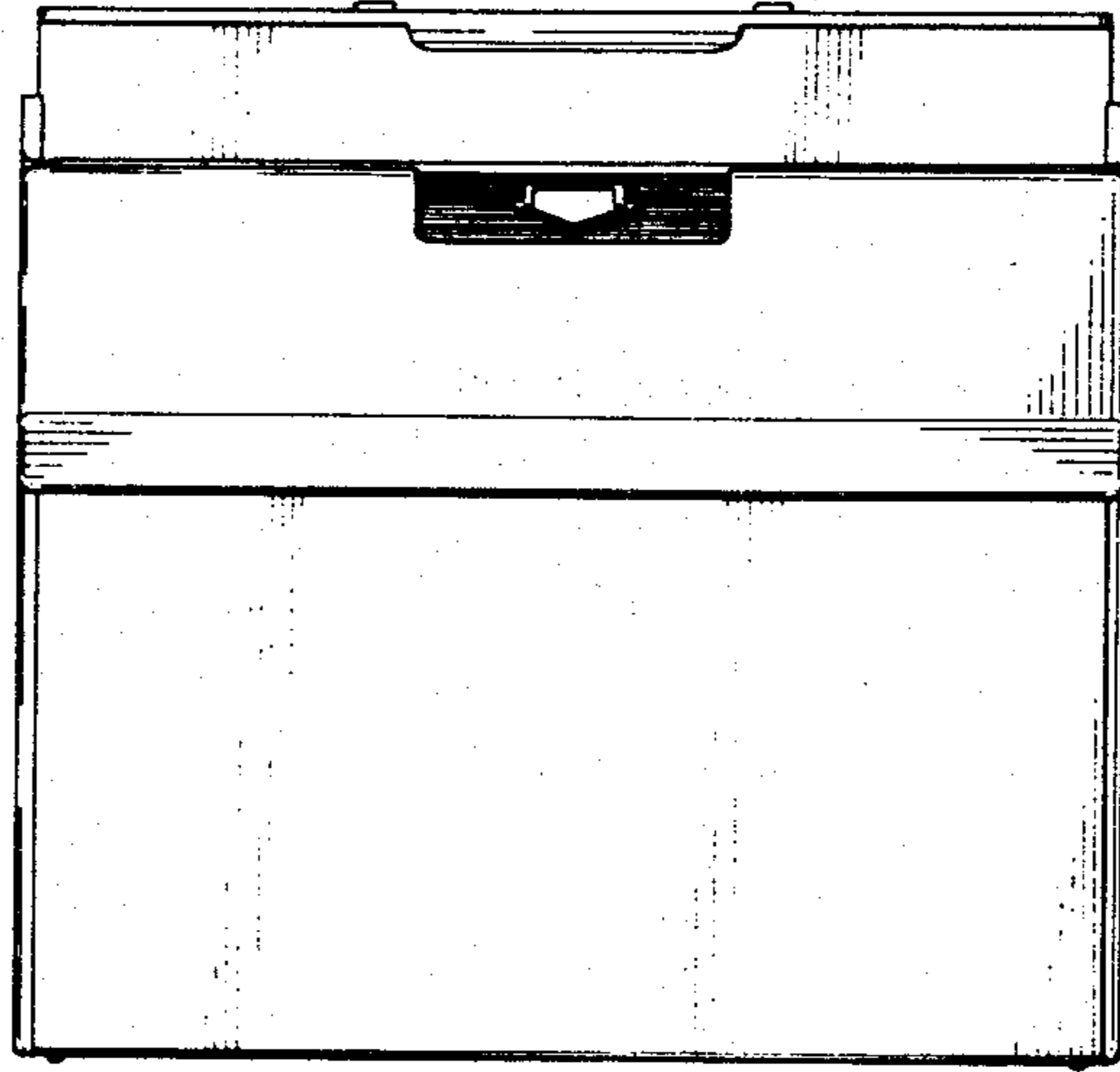


Fig. 3

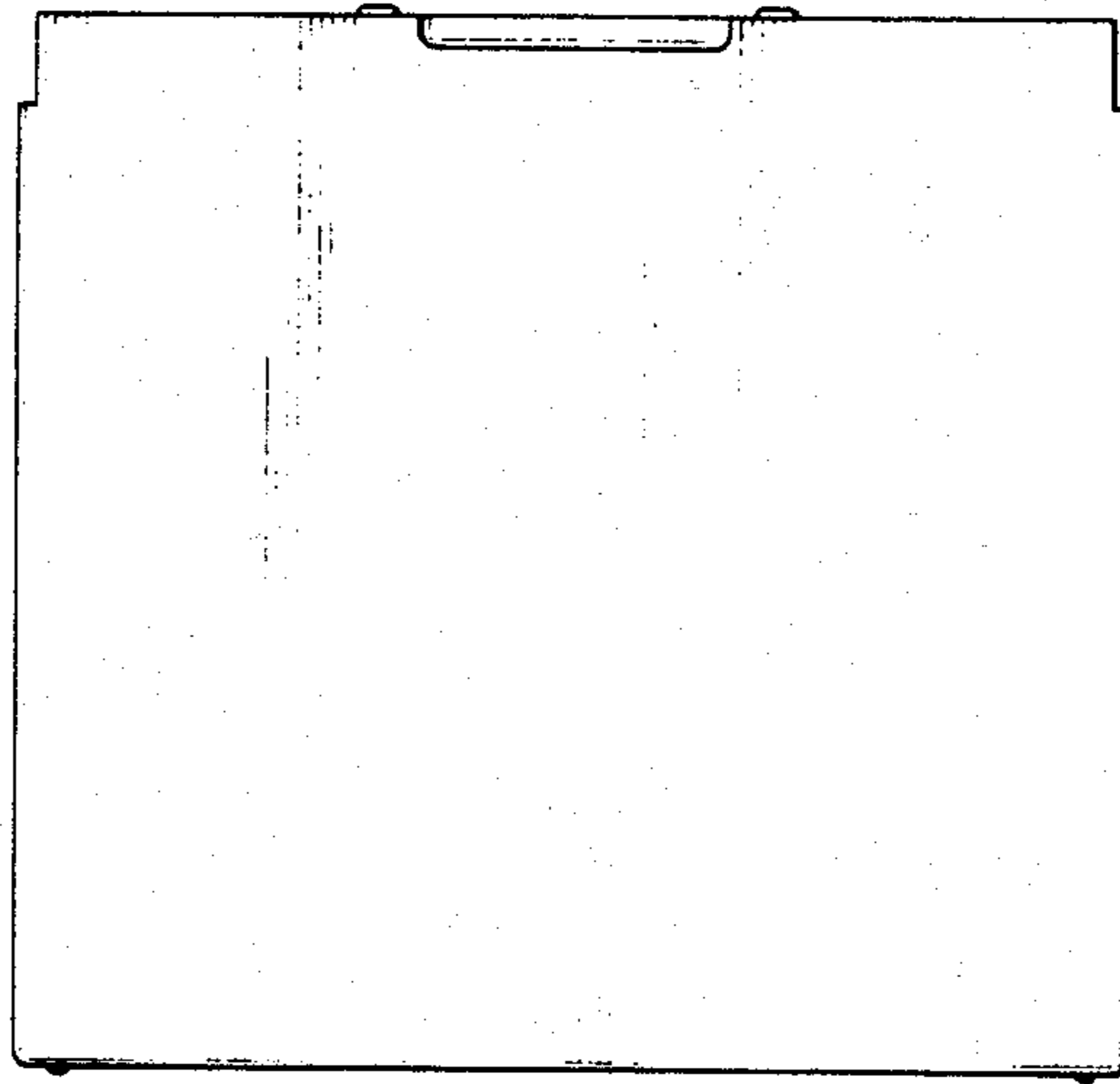


Fig. 4

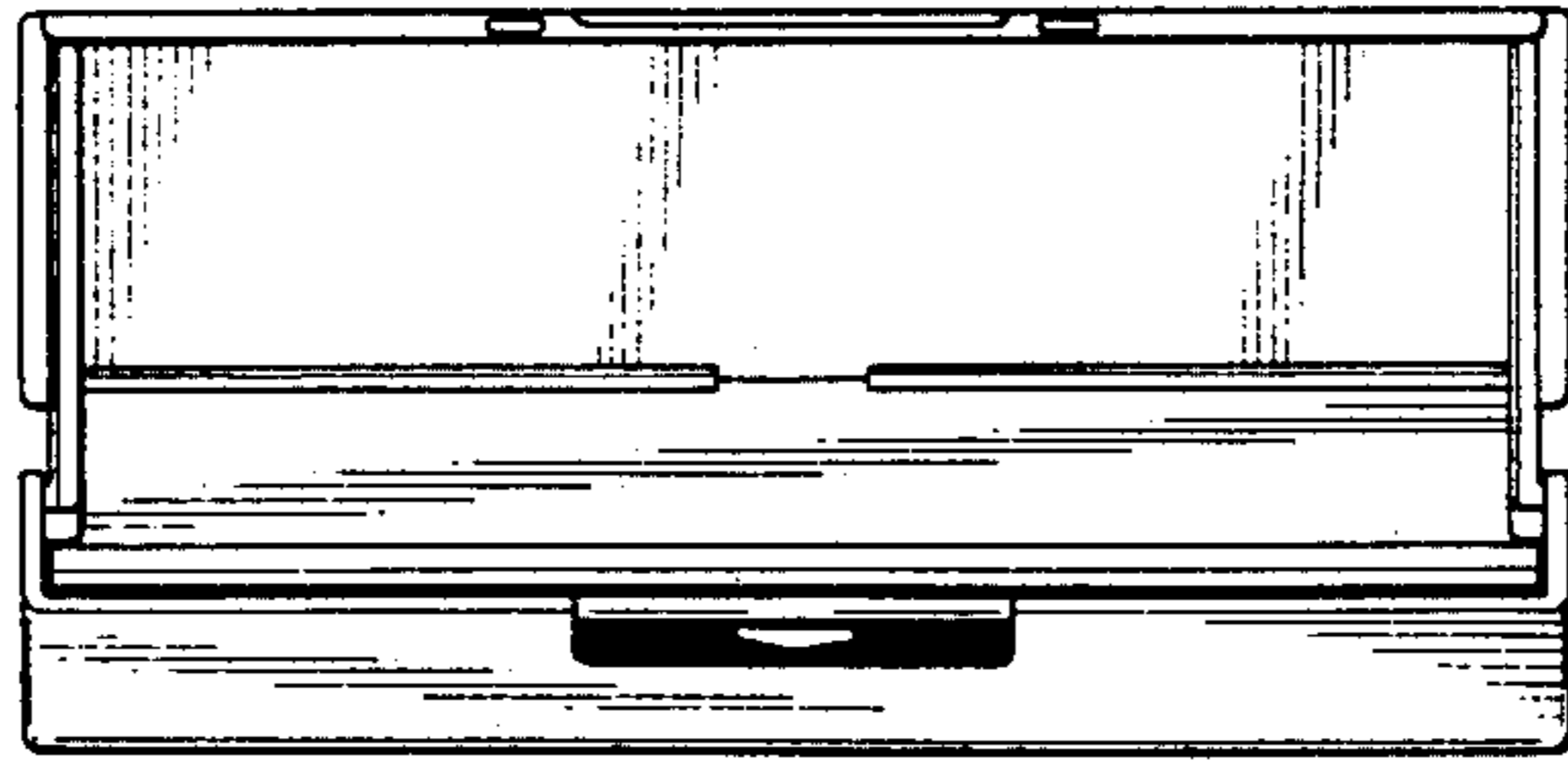


Fig. 5

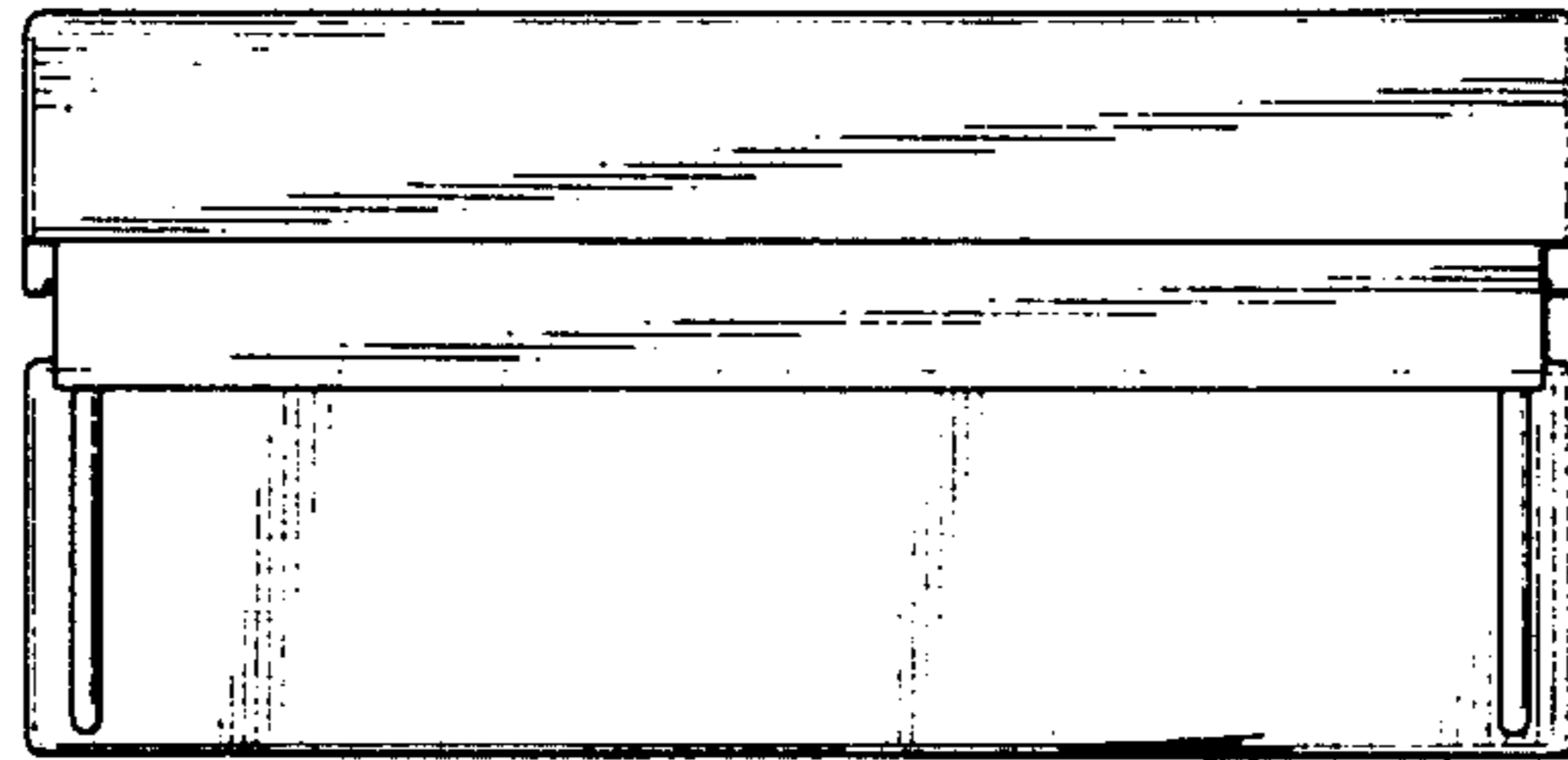


Fig. 6

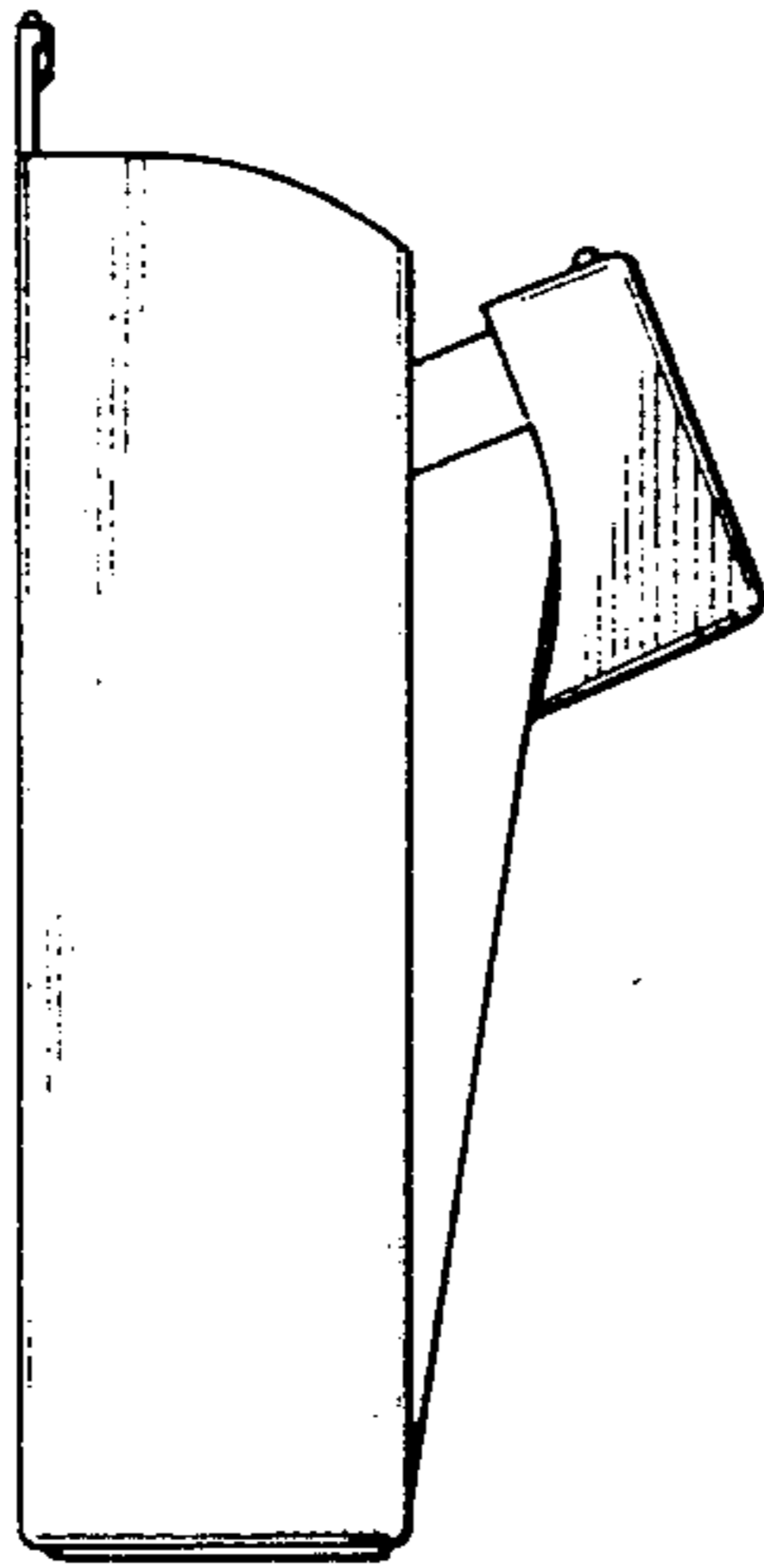


Fig. 7

