

[54] COMBINED HAT AND FACE MASK

[76] Inventor: Rudy De Lozada, 84 Skyline Dr.,  
Daly City, Calif. 94015

[\*\*] Term: 14 Years

[21] Appl. No.: 493,538

[22] Filed: May 11, 1983

[52] U.S. Cl. .... D2/247; D2/253

[58] Field of Search ..... D2/230, 241, 244, 234,  
D2/247, 250, 252, 253, 260, 262, 79; D21/190;  
2/171, 171.1, 171.4, 171.5, 171.6, 171.7, 171.8,  
173, 175, 177, 206, 195, 198, 199

[56] References Cited

U.S. PATENT DOCUMENTS

D. 246,876 1/1978 Warenback ..... D2/247

D. 271,629 12/1983 De Lozada ..... D2/253  
2,914,772 12/1959 Lemelson ..... D21/190 X  
2,964,757 12/1960 Jarvis ..... 2/206 X  
4,027,340 6/1977 Hadtke ..... 2/206

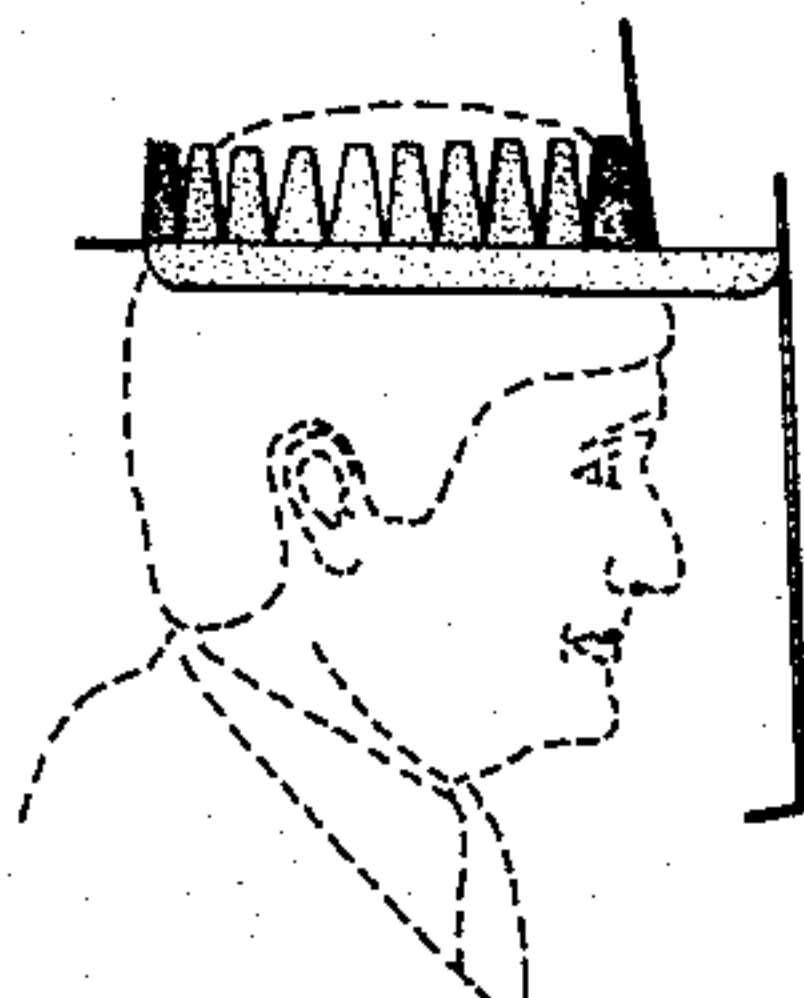
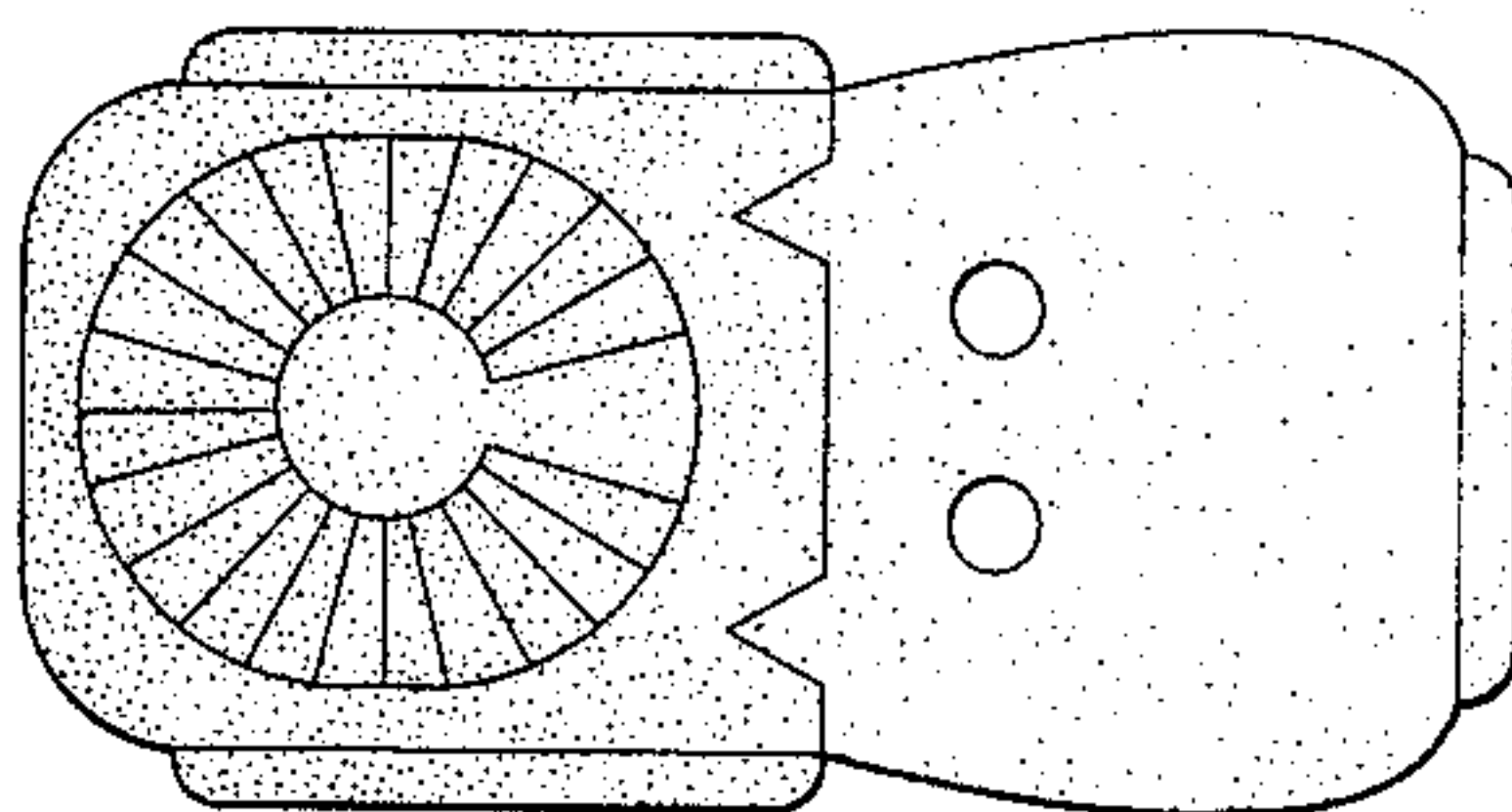
Primary Examiner—Carmen H. Vales  
Attorney, Agent, or Firm—Townsend and Townsend

[57] CLAIM

The ornamental design for a combined hat and face mask, as shown and described.

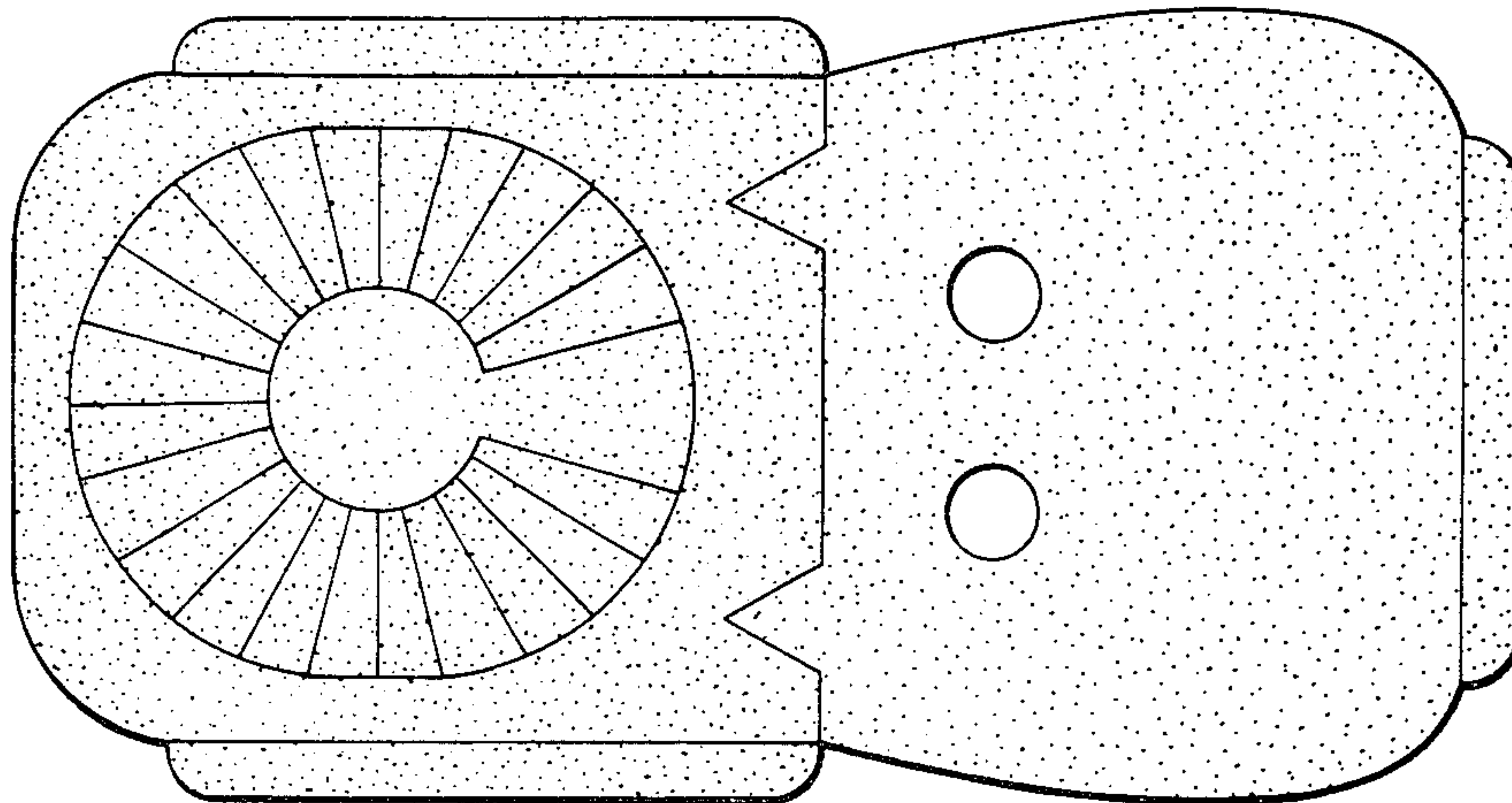
DESCRIPTION

FIG. 1 is a side elevational view of a combined hat and face mask showing my new design; FIG. 2 is a top plan view thereof; and FIG. 3 is a side elevational view in worn position, the broken line showing of a human profile is for convenience of illustration only.

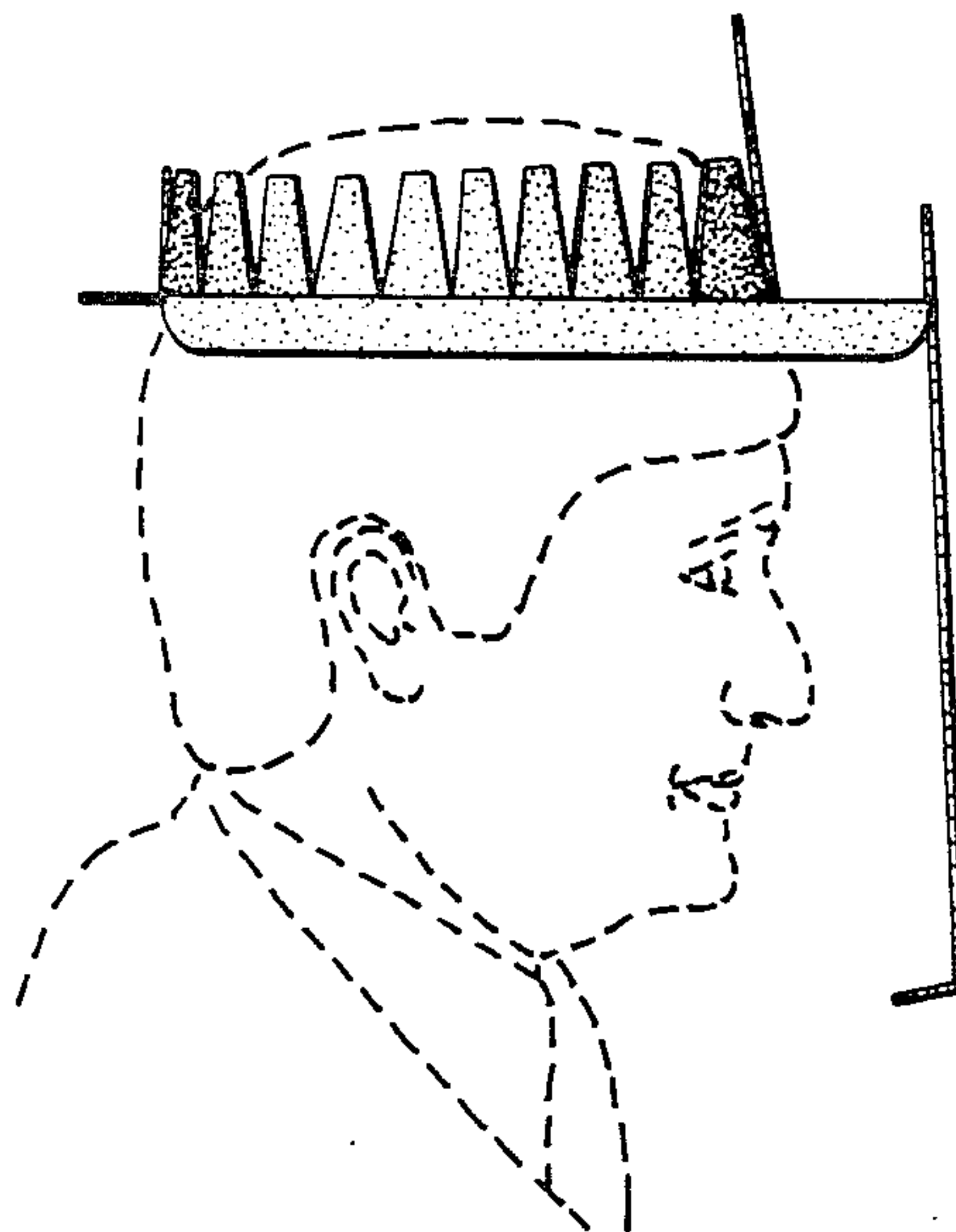




*FIG. 1.*



*FIG. 2.*



*FIG. 3.*