

[54] SURGICAL SKIN STAPLER

[56] References Cited

[75] Inventors: Thomas D. Guy, Trumbull; Paul O. Rawson, Easton; Richard H. Yagami, Bridgewater, all of Conn.

U.S. PATENT DOCUMENTS

2,559,544	7/1951	Paasche	D23/17
3,955,581	5/1976	Spasiano et al.	128/334 R
4,204,623	5/1980	Green	227/19
4,331,277	5/1982	Green	227/19

[73] Assignee: United States Surgical Corporation, Norwalk, Conn.

Primary Examiner—B. J. Bullock
Assistant Examiner—Suzanne N. Gitlin
Attorney, Agent, or Firm—John E. Nathan; Jeffrey H. Ingerman

[**] Term: 14 Years

[57] CLAIM

The ornamental design for a surgical skin stapler, as shown in the accompanying drawings.

[21] Appl. No.: 375,002

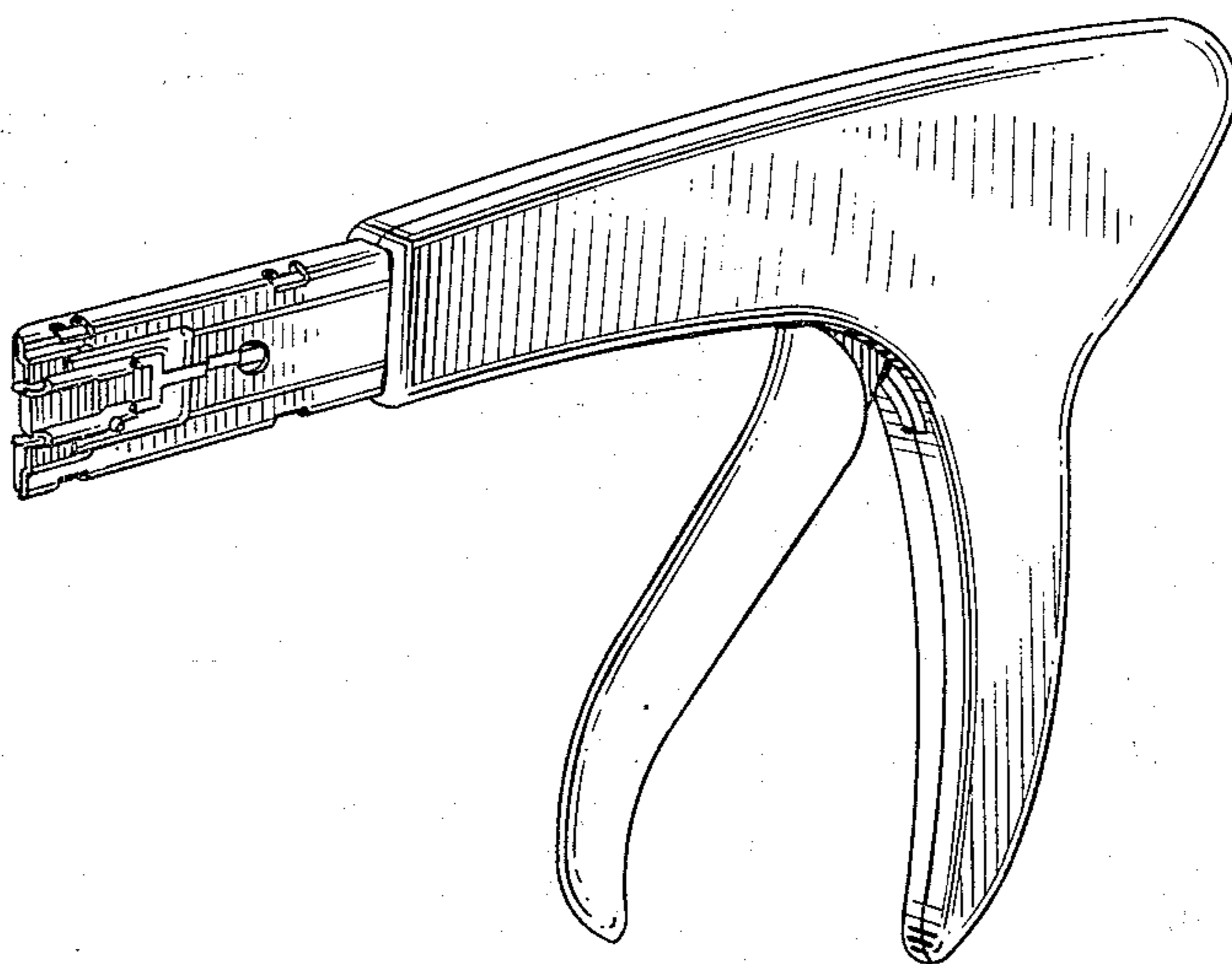
DESCRIPTION

[22] Filed: May 5, 1982

FIG. 1 is a perspective view of a surgical skin stapler showing our new design;
FIG. 2 is a side elevational view thereof;
FIG. 3 is a top plan view thereof;
FIG. 4 is a bottom plan view thereof;
FIG. 5 is an end elevational view thereof; and
FIG. 6 is an end elevational view opposite that shown in FIG. 5.

[52] U.S. Cl. D24/26; D8/49; D8/68; D24/27

[58] Field of Search D24/26, 27, 8, 29; D8/49, 50, 51, 68; 128/305, 334 R, 335, 337; 227/19, 76, 110, 120, 129, 156, 127, 134, DIG. 1; 72/410



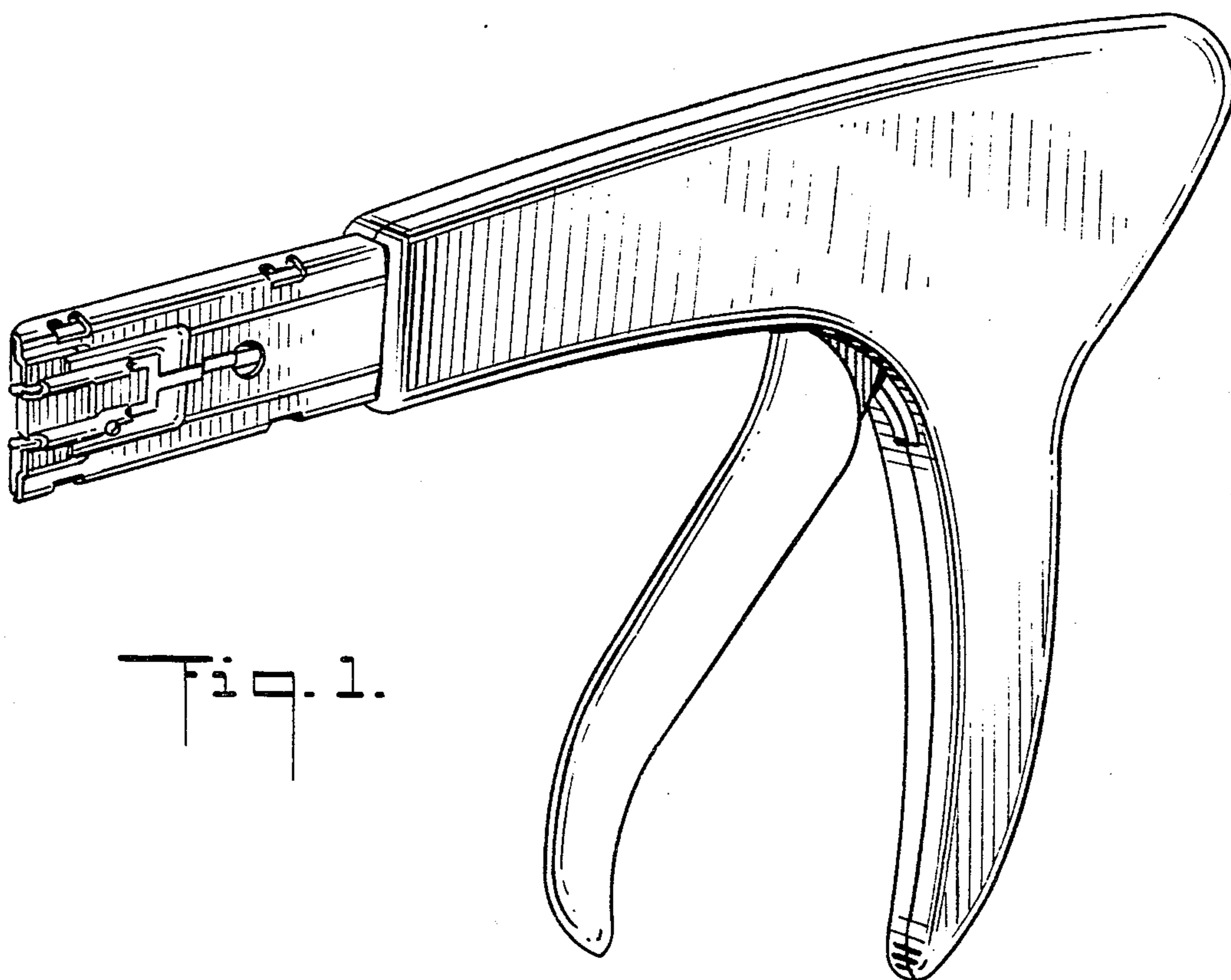


Fig. 1.

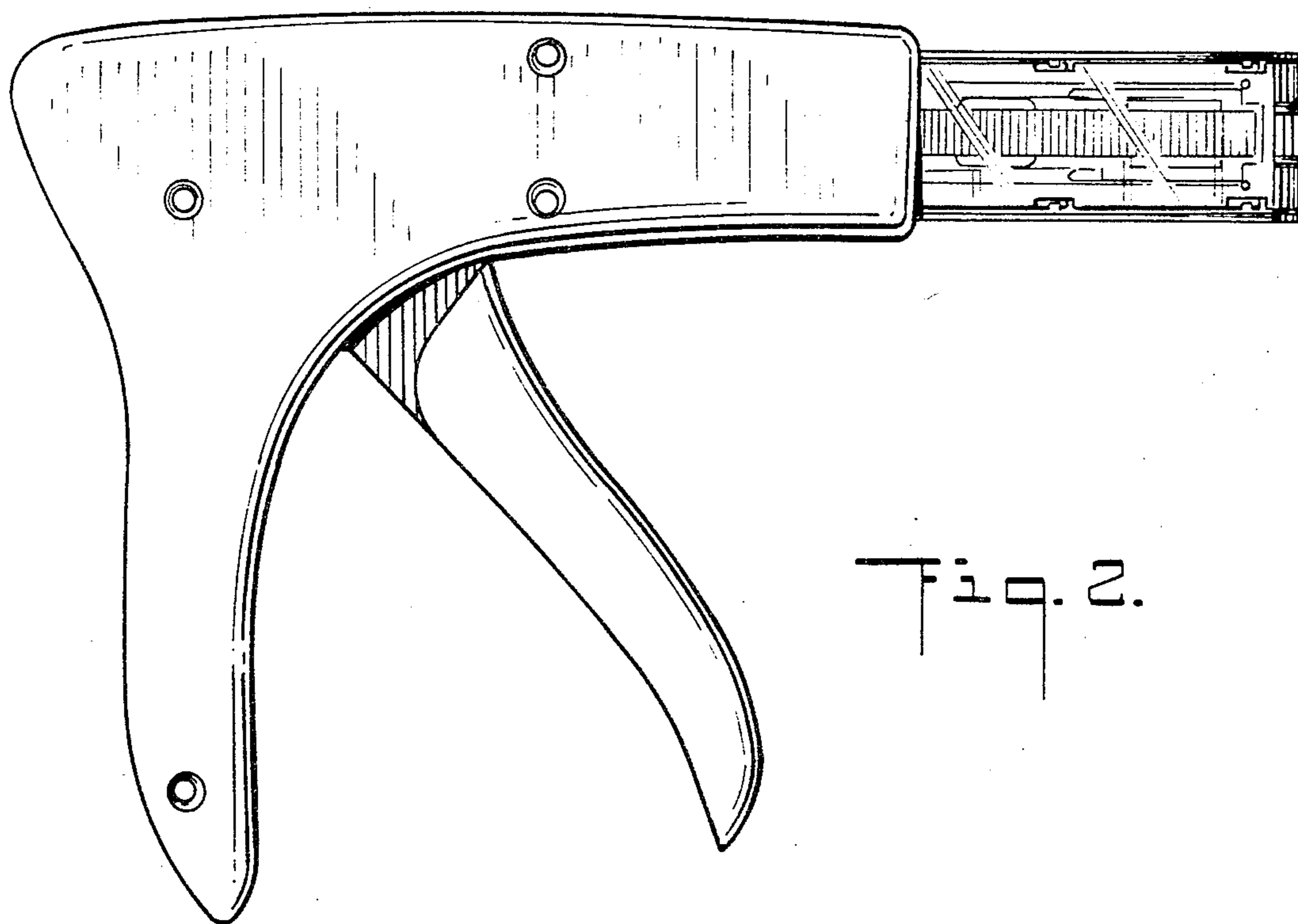


Fig. 2.

Fig. 3.

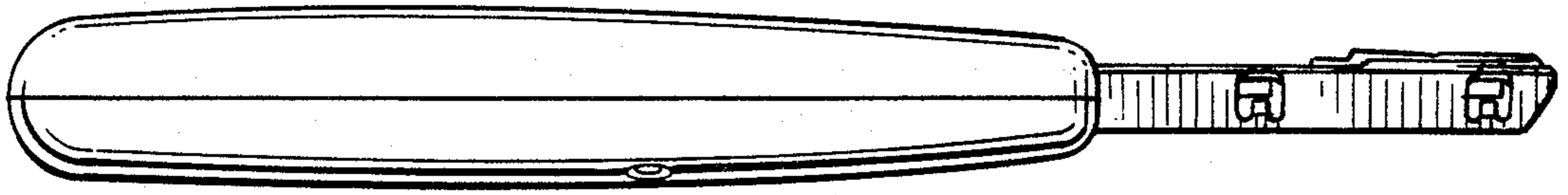


Fig. 4.

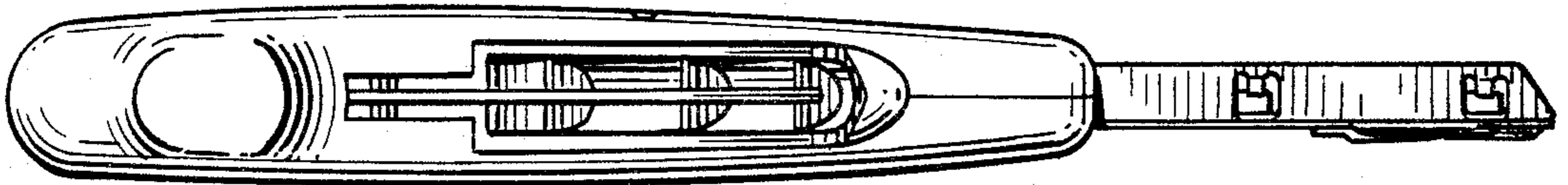


Fig. 5.

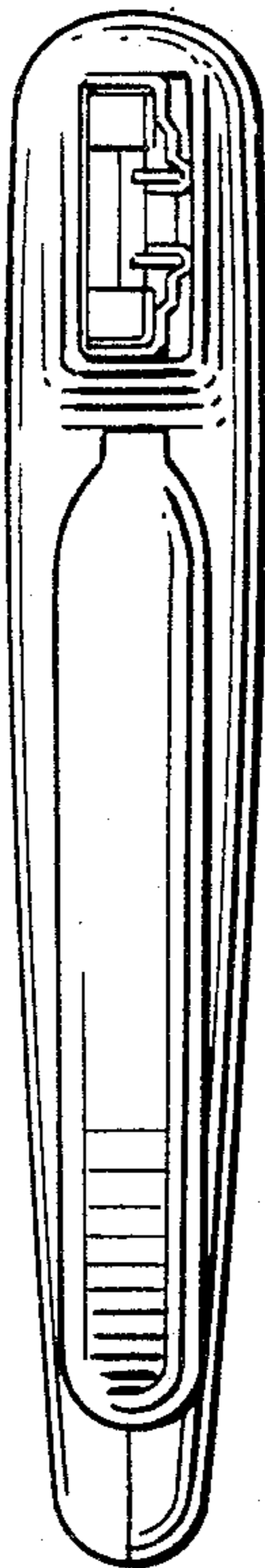


Fig. 6.

