

[54] WATER ANALYSIS LABORATORY

[75] Inventor: David A. Stafford, Dayton, Ohio

[73] Assignee: Miami Products & Chemicals Co., Dayton, Ohio

[**] Term: 14 Years

[21] Appl. No.: 485,995

[22] Filed: Apr. 18, 1983

[52] U.S. Cl. D24/17; D24/31; D10/81; D9/345

[58] Field of Search D10/81; D9/345, 347, D9/424, 425; 206/562, 563, 557, 561, 456, 363; D24/31, 17; 356/39

[56] References Cited

U.S. PATENT DOCUMENTS

- D. 221,035 6/1971 Raines 206/561 X
- D. 237,317 10/1975 Nowakowski et al. D24/31
- D. 241,377 9/1976 Whitacre D9/347 X

- D. 247,822 5/1978 Hein et al. D24/31
- 2,790,547 4/1957 Sutton 206/562 X
- 3,271,112 9/1966 Williams et al. 356/39 X

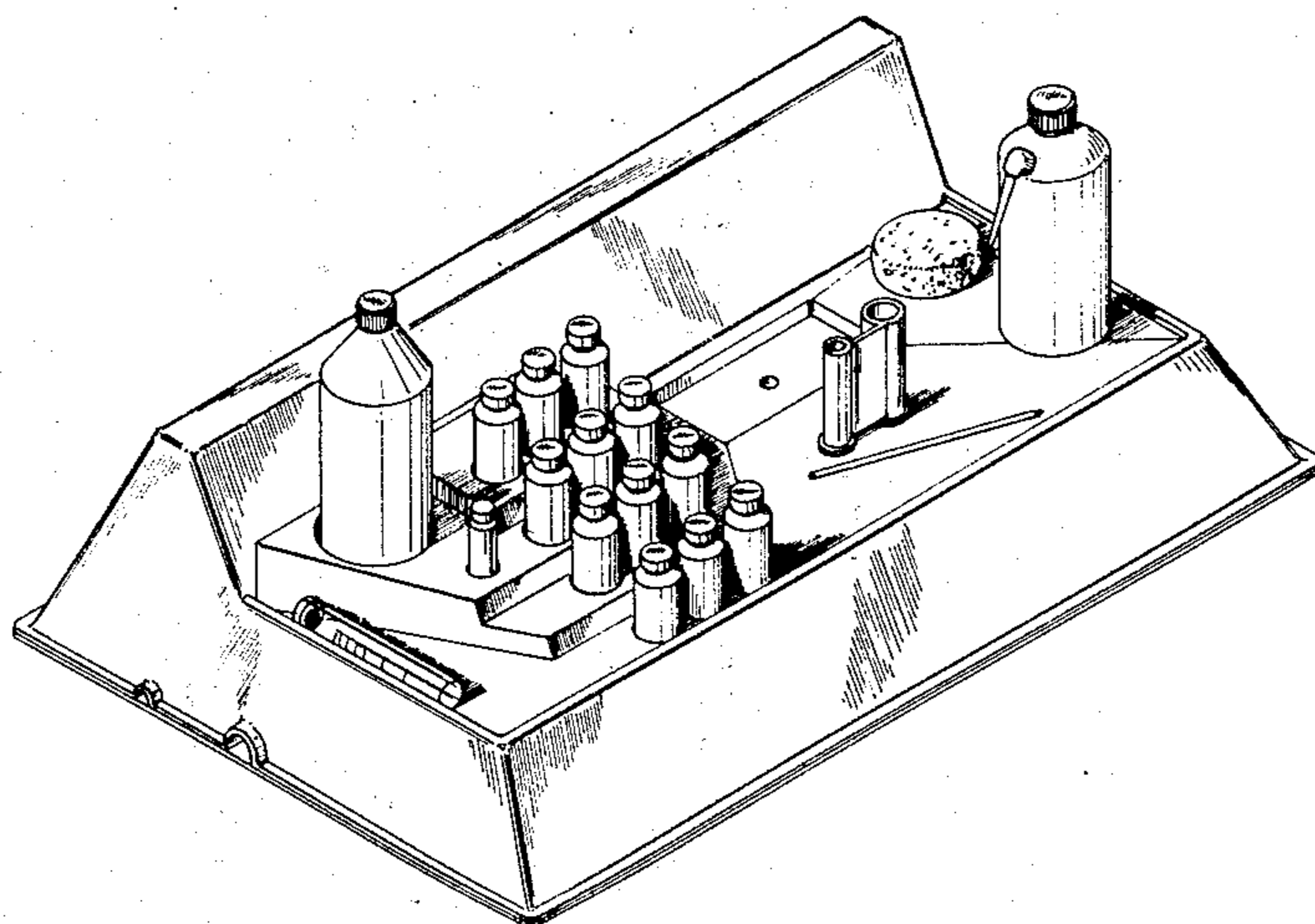
Primary Examiner—Bernard Ansher
Assistant Examiner—Terry Pfeffer
Attorney, Agent, or Firm—Killworth, Gottman, Hagan & Schaeff

[57] CLAIM

The ornamental design for a water analysis laboratory, substantially as shown and described.

DESCRIPTION

FIG. 1 is a perspective front view of a water analysis laboratory showing my new design; FIG. 2 is a top plan view thereof; FIG. 3 is a left-side elevational view thereof; FIG. 4 is a right-side elevational view thereof; FIG. 5 is a front elevational view thereof; FIG. 6 is a rear elevational view thereof; and FIG. 7 is a bottom view thereof.



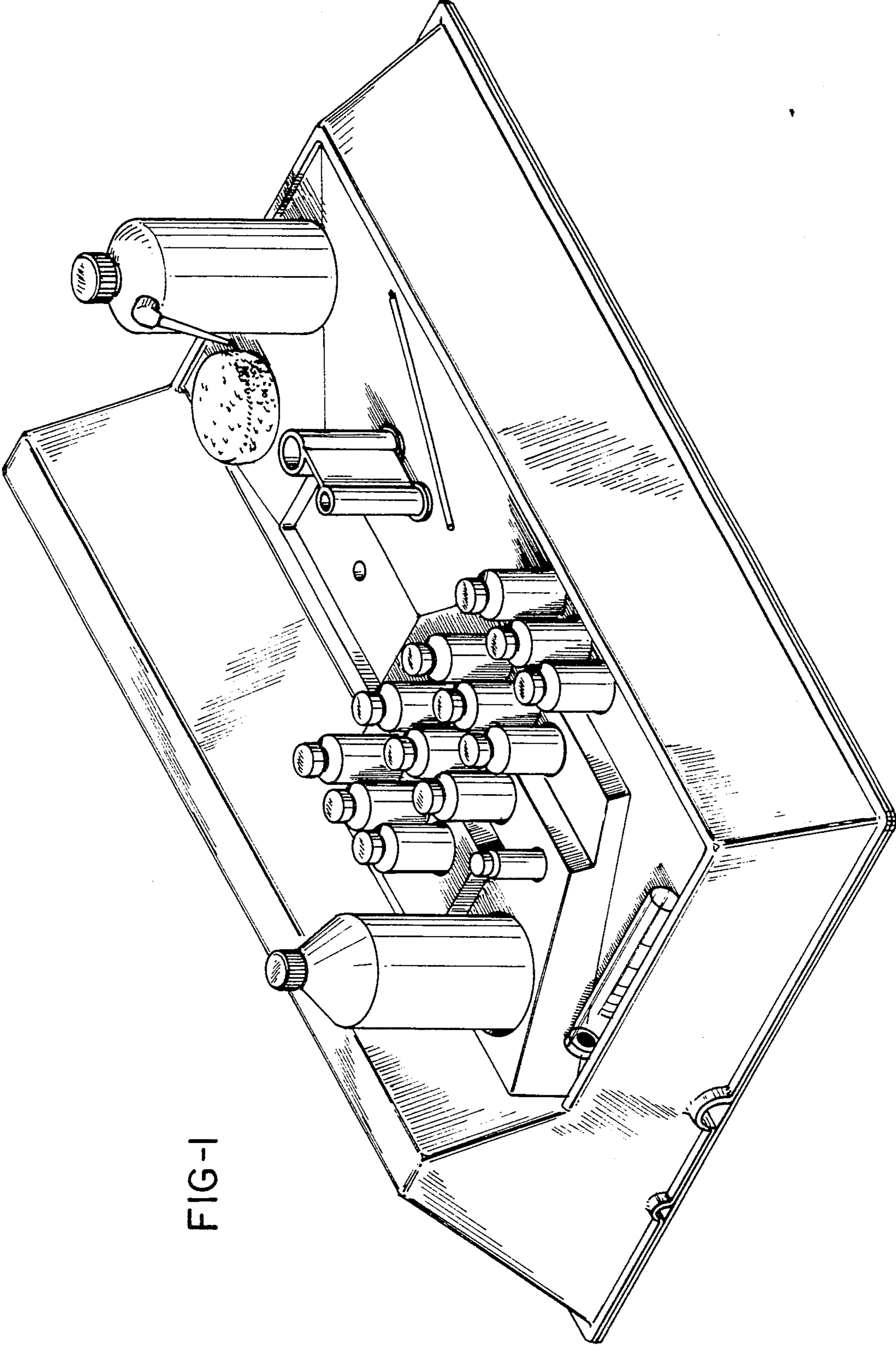


FIG-1

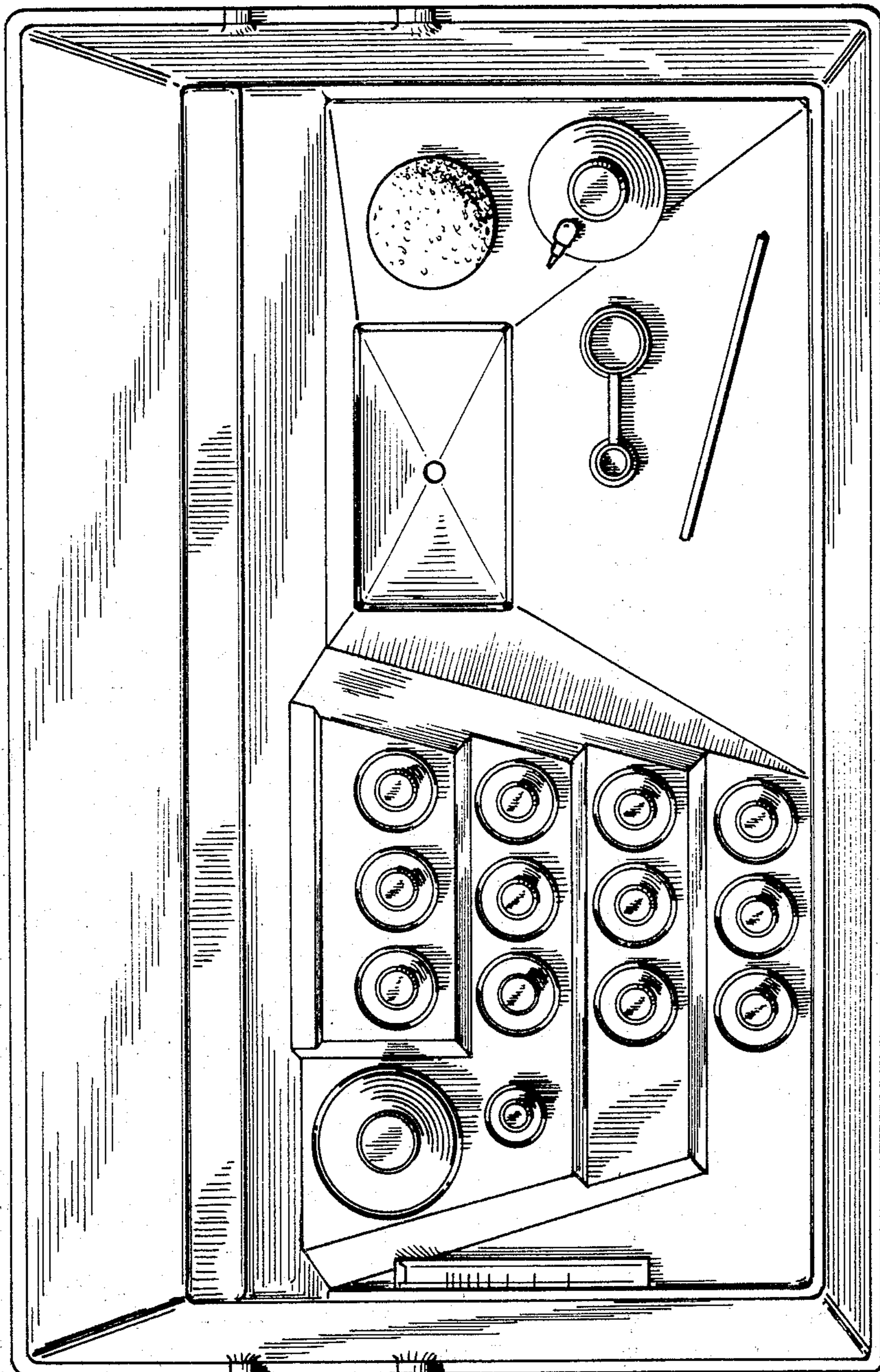
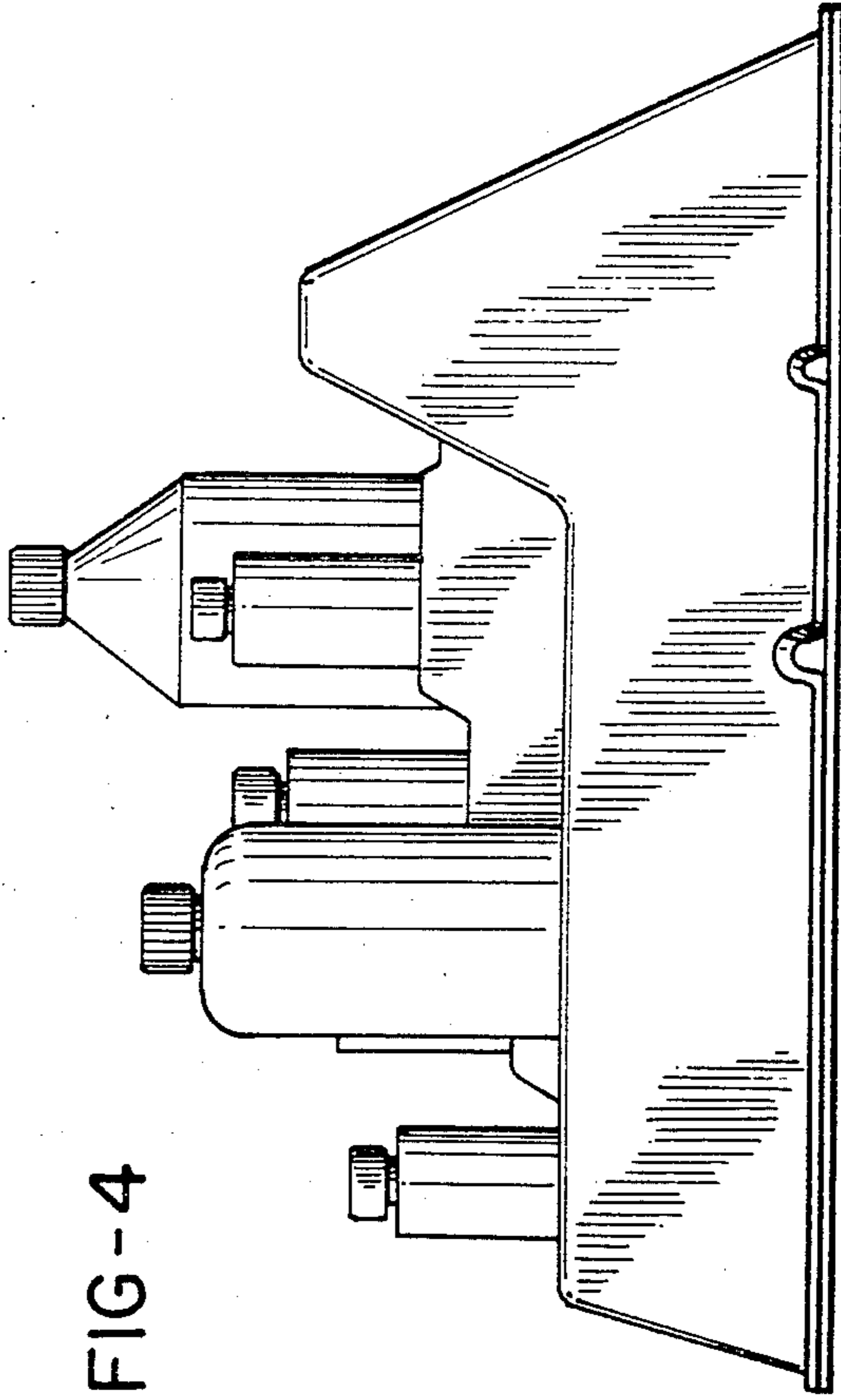
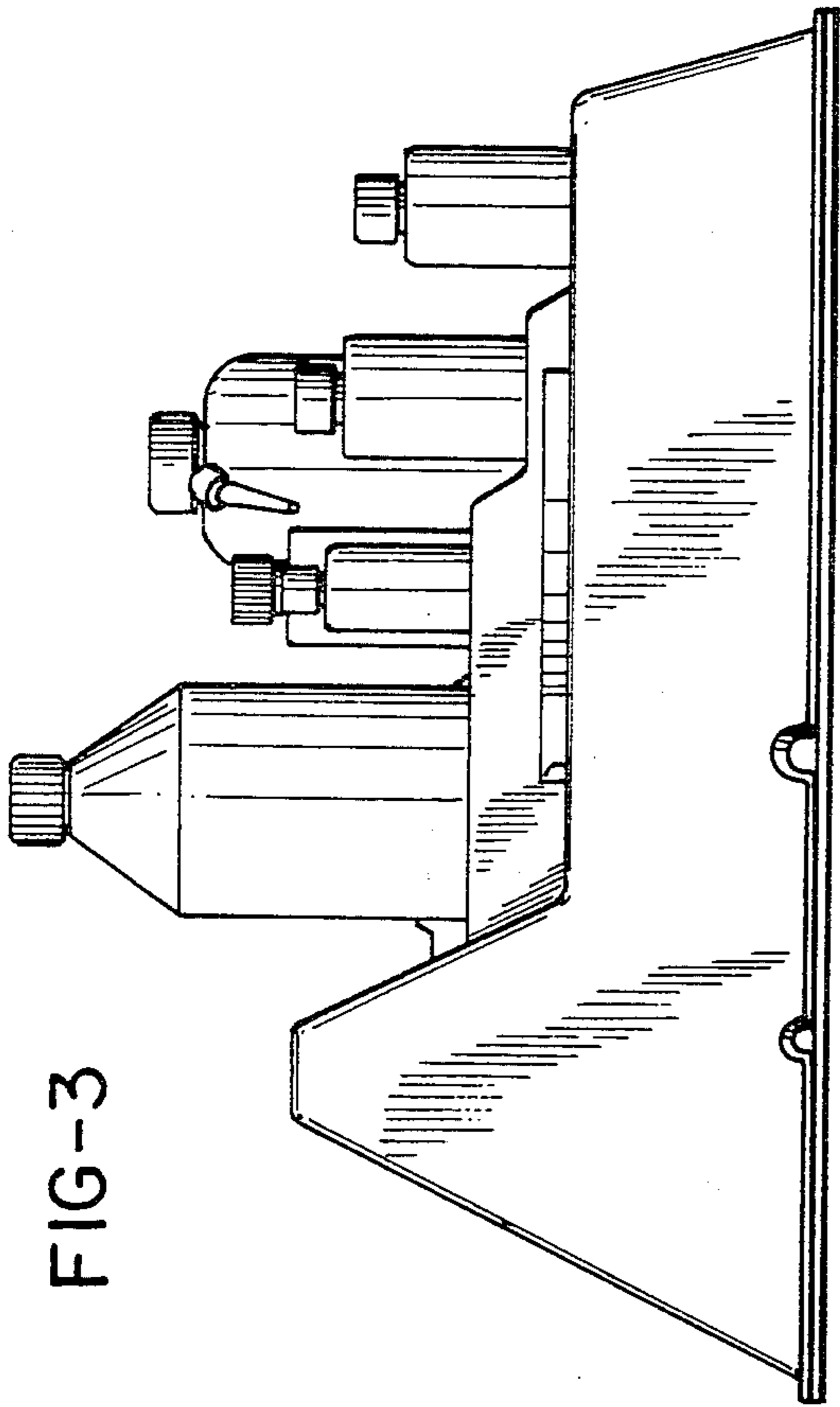


FIG-2



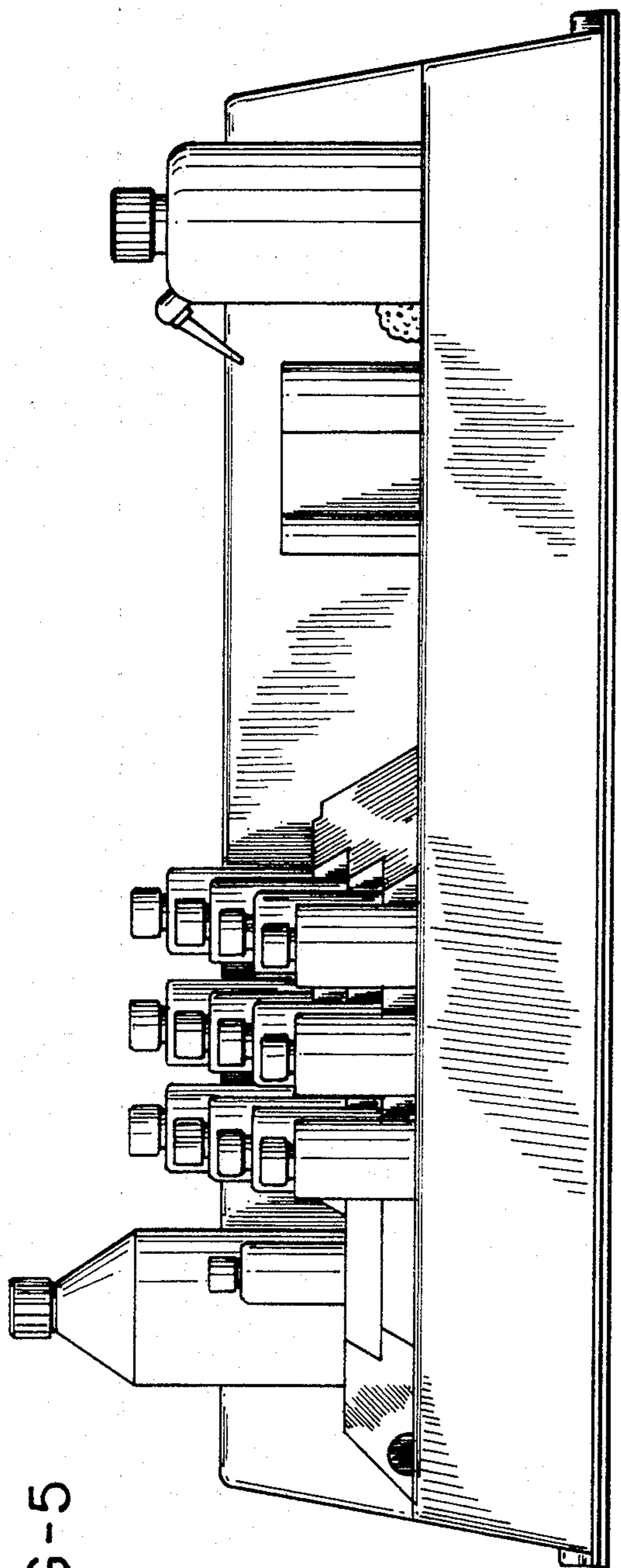


FIG-5

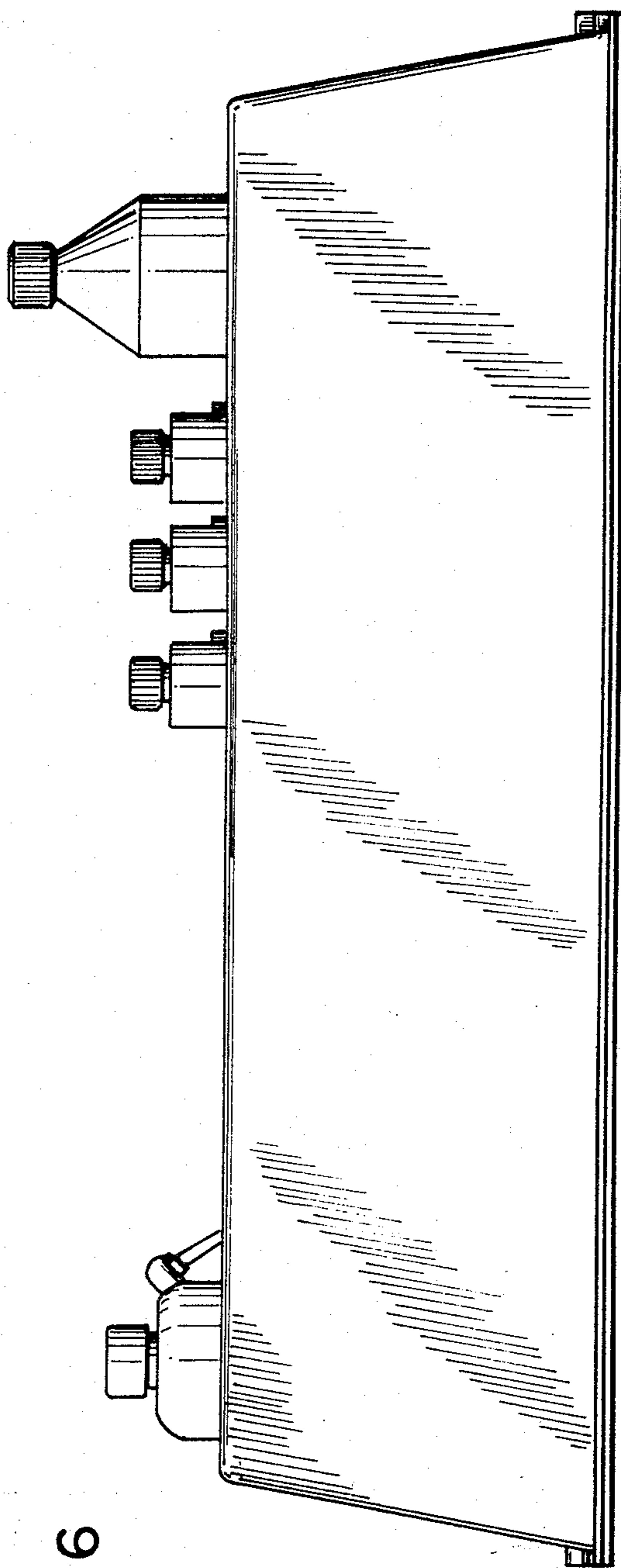


FIG-6

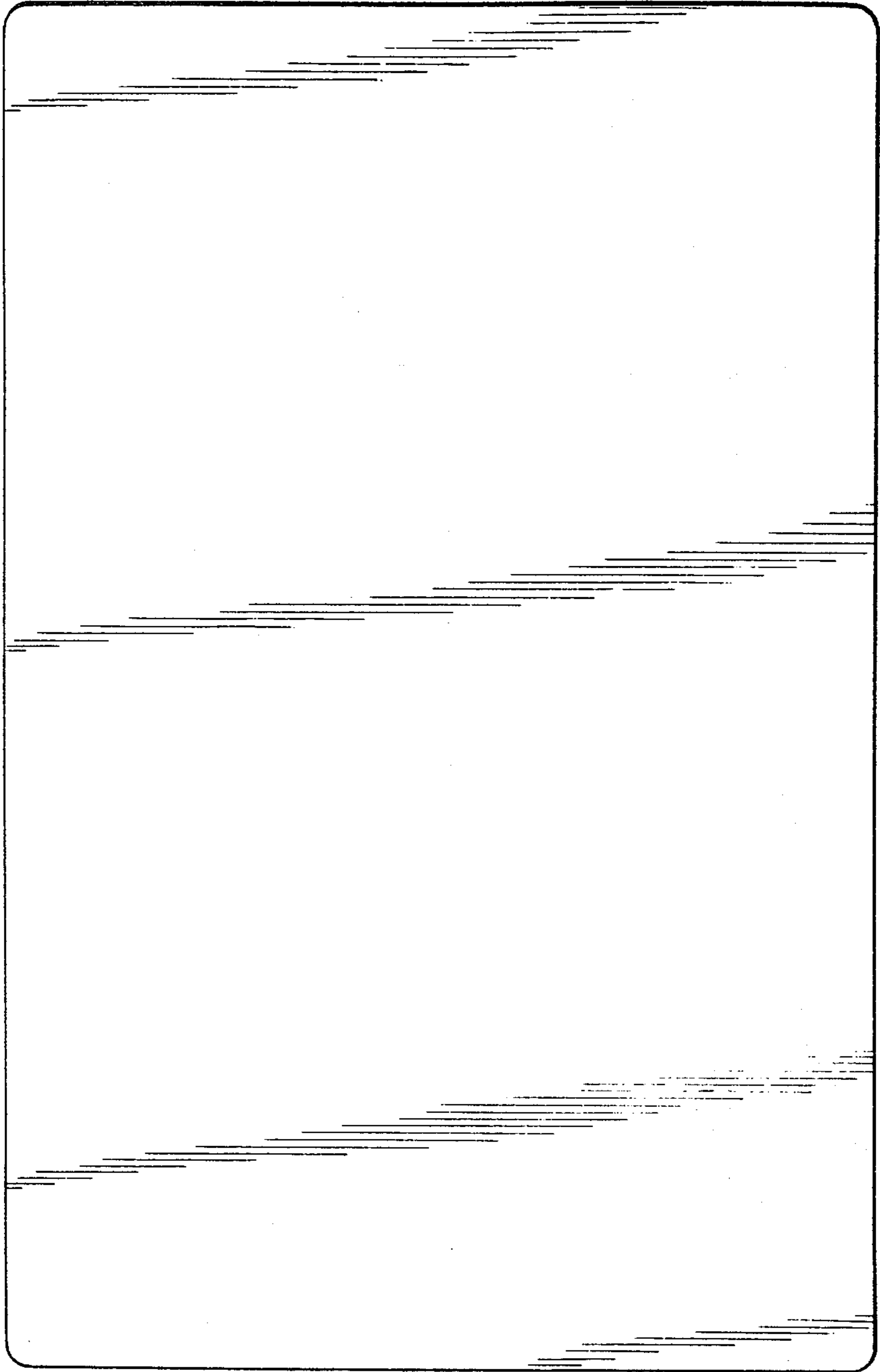


FIG-7