

[54] X-RAY VIEWER

[75] Inventors: Ed Martin, Charlotte; Dan Truette, Pineville, both of N.C.

[73] Assignee: Pelton & Crane Company, Charlotte, N.C.

[**] Term: 14 Years

[21] Appl. No.: 514,732

[22] Filed: Jul. 18, 1983

[52] U.S. Cl. D24/2; D16/14; D16/17

[58] Field of Search D24/2; D16/11, 14, 17; 40/361, 366, 367

[56] References Cited

U.S. PATENT DOCUMENTS

D. 99,343	4/1936	Cheney	D16/14
D. 242,915	1/1977	Wang	D16/14
D. 254,075	1/1980	Bartholomew	D16/17
D. 254,868	4/1980	Hoadley	D16/14 X
1,846,533	2/1932	Thompson	40/361

2,436,162	2/1948	Cadenas	40/361
2,516,270	7/1950	Swain	40/361
2,623,314	12/1952	Lombard	40/367
2,760,288	8/1956	Shoenfeld	40/361
2,908,094	10/1959	Mast	40/367
4,373,280	2/1983	Armfield	40/361 X

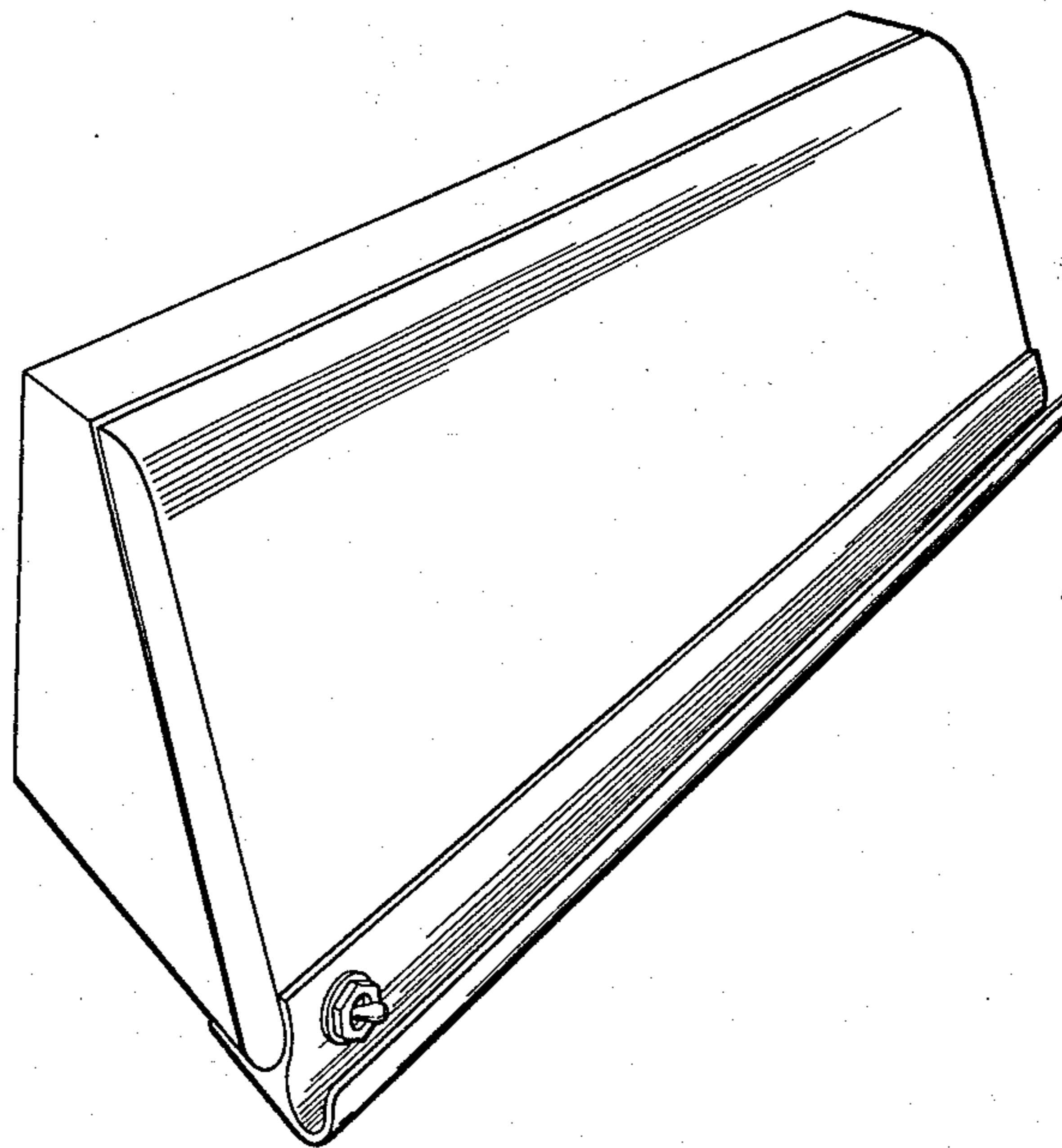
Primary Examiner—Catherine E. Kemper
Attorney, Agent, or Firm—Stuart E. Krieger; Richard H. Brink; Isaac Jarkovsky

[57] CLAIM

The ornamental design for an X-ray viewer, as shown and described.

DESCRIPTION

FIG. 1 is a front perspective view of an X-ray viewer, showing our new design;
FIG. 2 is a front elevational view thereof;
FIG. 3 is a rear perspective view thereof;
FIG. 4 is a bottom plan view thereof;
FIG. 5 is a left side elevational view thereof.
The conventional electrical cord has been shown broken away in FIG. 3 for ease of illustration and to indicate indeterminate length.



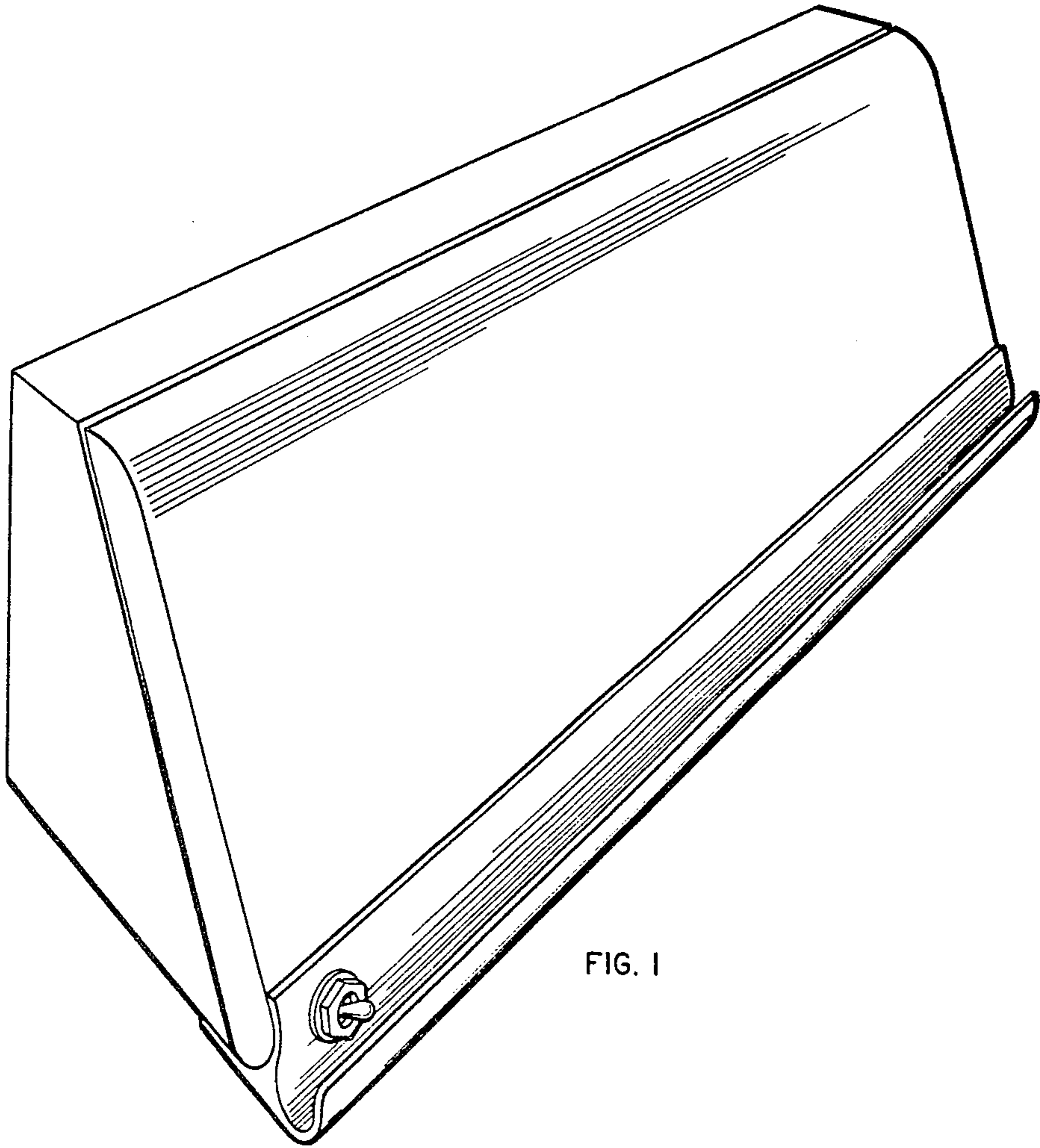


FIG. 1

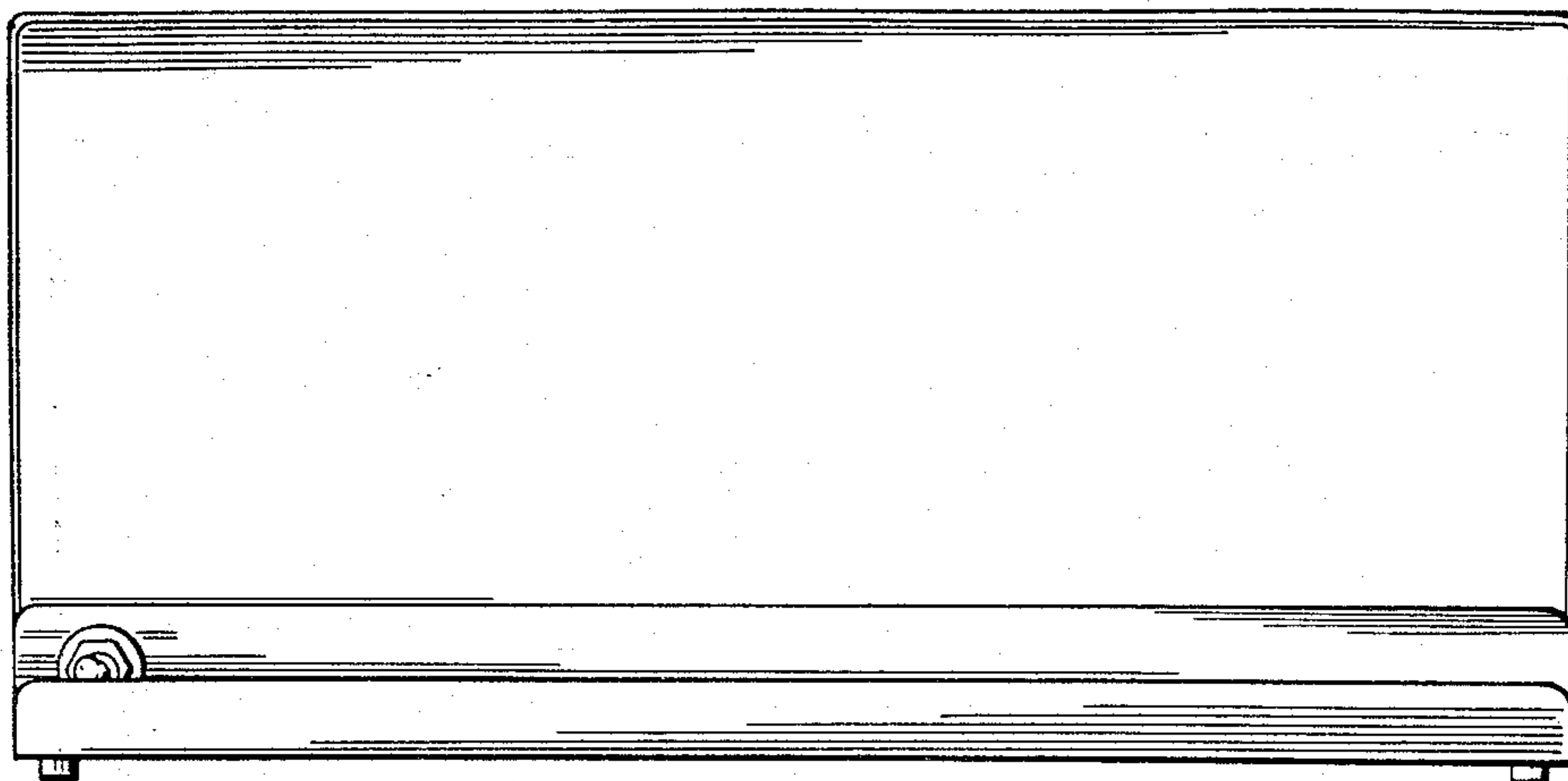


FIG. 2

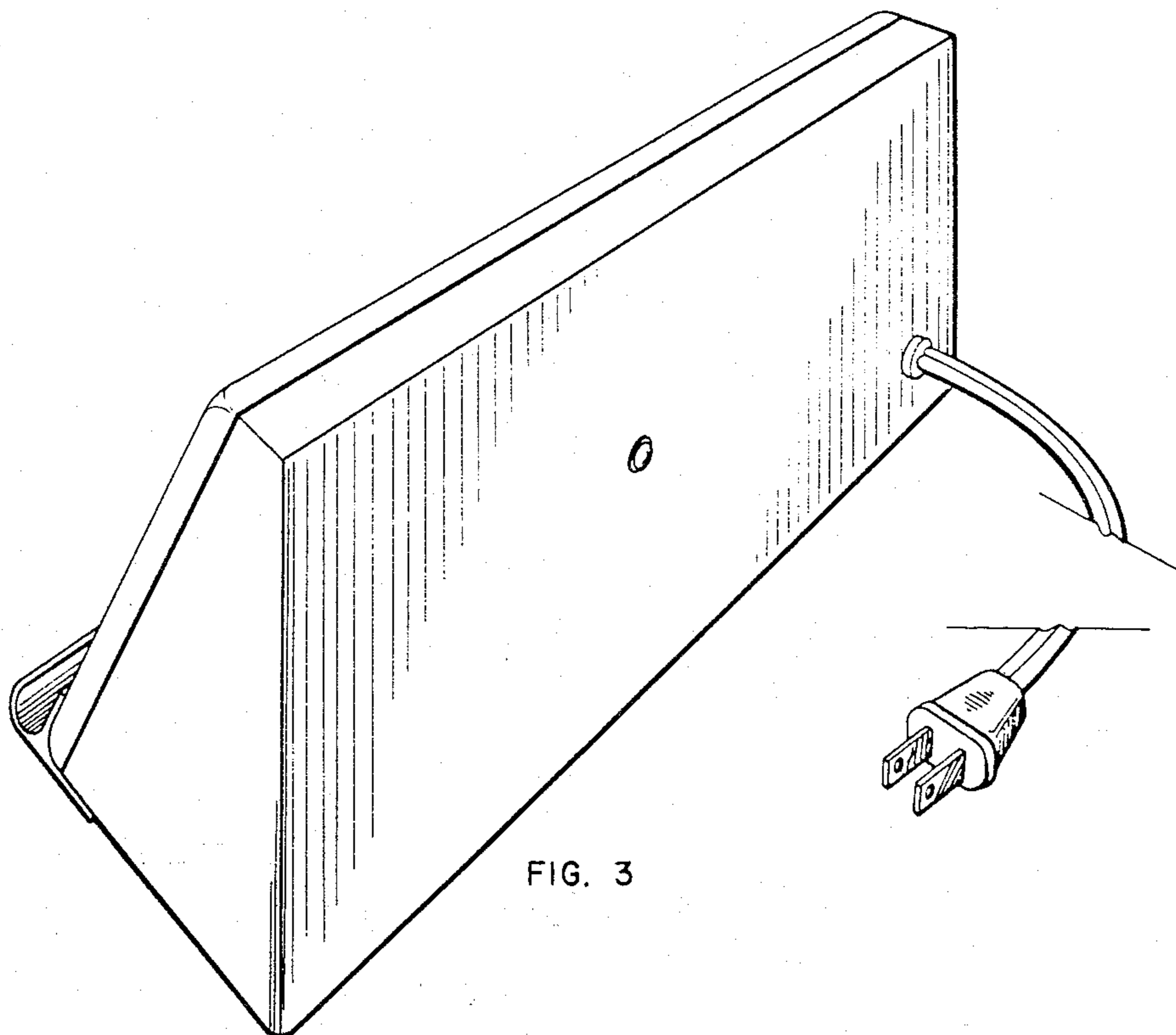


FIG. 3

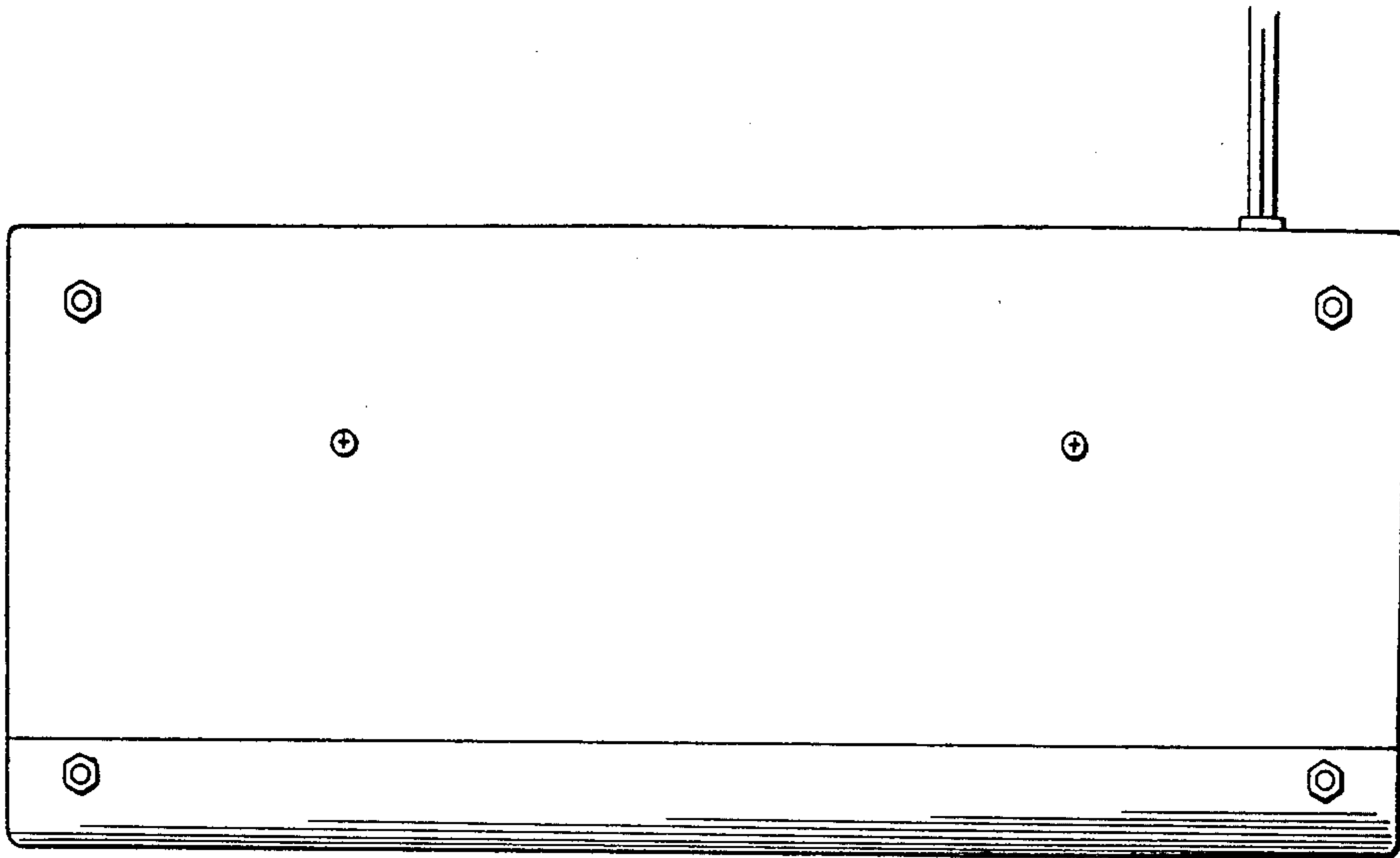


FIG. 4

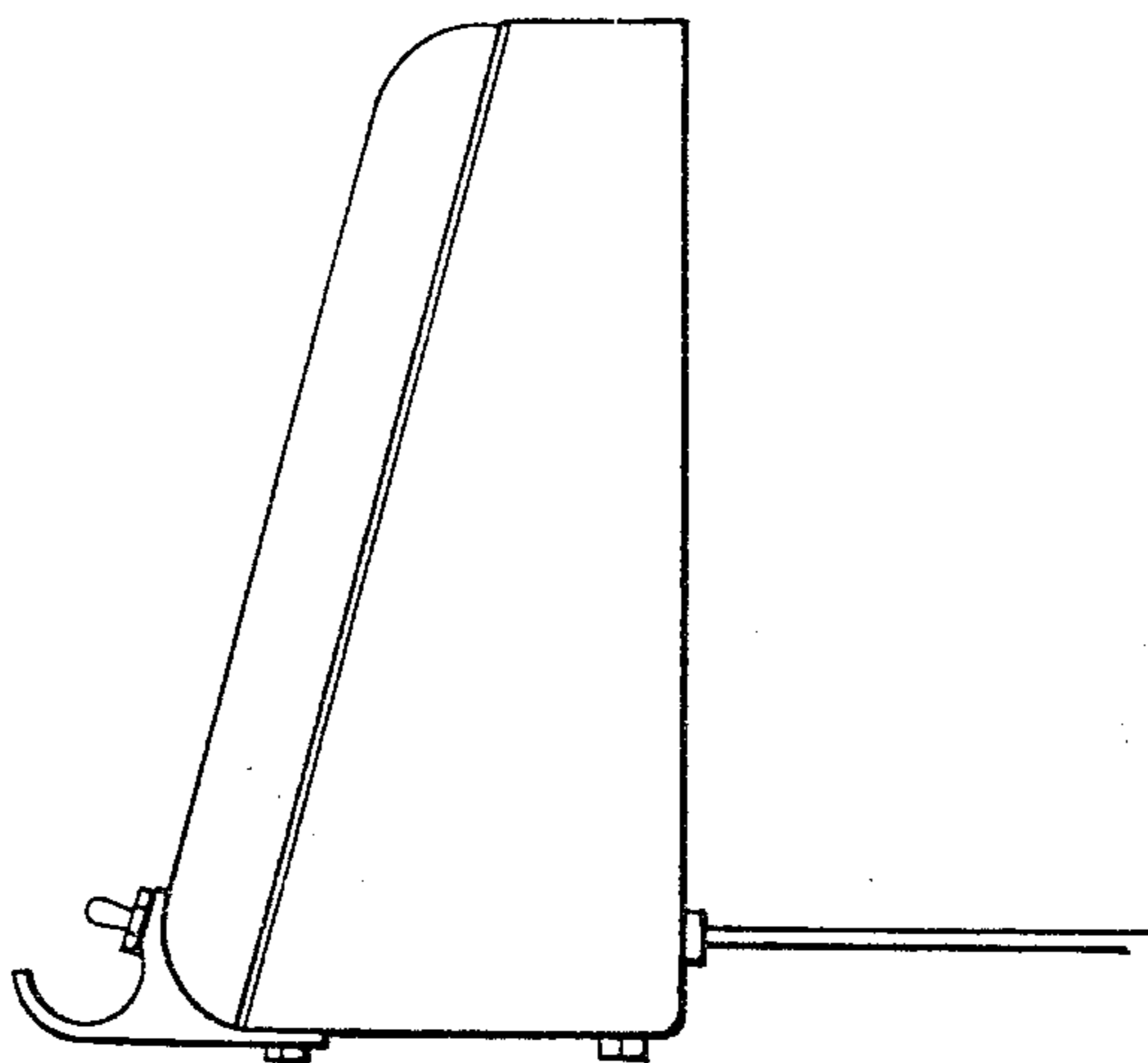


FIG. 5