

[54] CARPET DRYER

[75] Inventor: Lloyd J. Weaver, Rapid City, S. Dak.

[73] Assignee: Lloyd's Carpet & Furniture Cleaning, Inc., Rapid City, S. Dak.

[\*\*] Term: 14 Years

[21] Appl. No.: 447,293

[22] Filed: Dec. 6, 1982

[52] U.S. Cl. .... D23/162; D32/15

[58] Field of Search ..... D32/1, 17, 18, 15, 21, D32/22, 23, 24; 15/320-327 R, 327 D, 327 E, 330, 344; D23/162, 74; 15/405; D10/119

[56] References Cited

U.S. PATENT DOCUMENTS

D. 276,662	12/1984	Zerrer et al. ....	D32/15
1,748,460	2/1930	Petrie .....	D10/119
3,284,831	11/1966	Larsen .....	15/405
4,118,826	10/1978	Kaeser .....	15/405
4,318,203	3/1982	Satoh et al. ....	15/405
4,325,163	4/1982	Mattson et al. ....	15/405
4,413,371	11/1983	Tuggle et al. ....	15/405

OTHER PUBLICATIONS

Industrial Equipment News, May 1981, p. 76, "LM

Volume Blower" from Cincinnati Quick Ship De Sta Co Products-Blower Wheel Housings brochure. Architectural Record-Mar. 1962, p. 264, Epcos Handle #MC-42.

"Cyclone Dryer" on p. 9 of Feb., 1983 issue of *Installation & Cleaning Specialist*.

"Turbodryer" on p. 44 of Feb., 1983 issue of *Installation & Cleaning Specialist*.

"Air Mover" on p. 50 of Feb., 1983 issue of *Installation & Cleaning Specialist*.

Primary Examiner—Wallace R. Burke

Assistant Examiner—Lynn Wilder

Attorney, Agent, or Firm—Merchant, Gould, Smith, Edell, Welter & Schmidt

[57] CLAIM

The ornamental design for a carpet dryer, substantially as shown and described.

DESCRIPTION

FIG. 1 is a perspective view of a carpet dryer showing my new design;

FIG. 2 is a right side elevational view thereof;

FIG. 3 is a left side elevational view thereof;

FIG. 4 is a front elevational view thereof;

FIG. 5 is a rear elevational view thereof;

FIG. 6 is a top plan view thereof; and

FIG. 7 is a bottom plan view thereof.

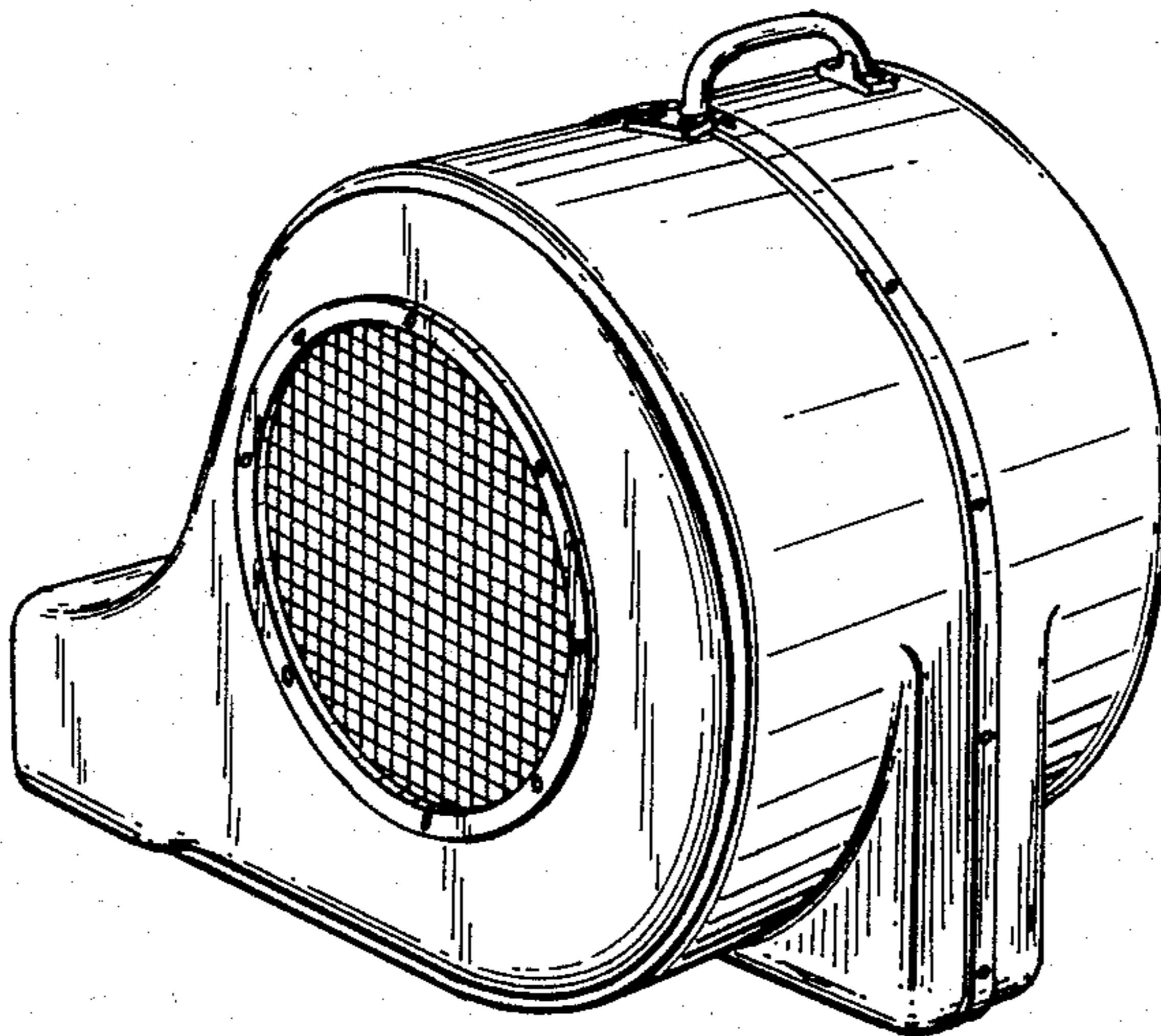


FIG. 1

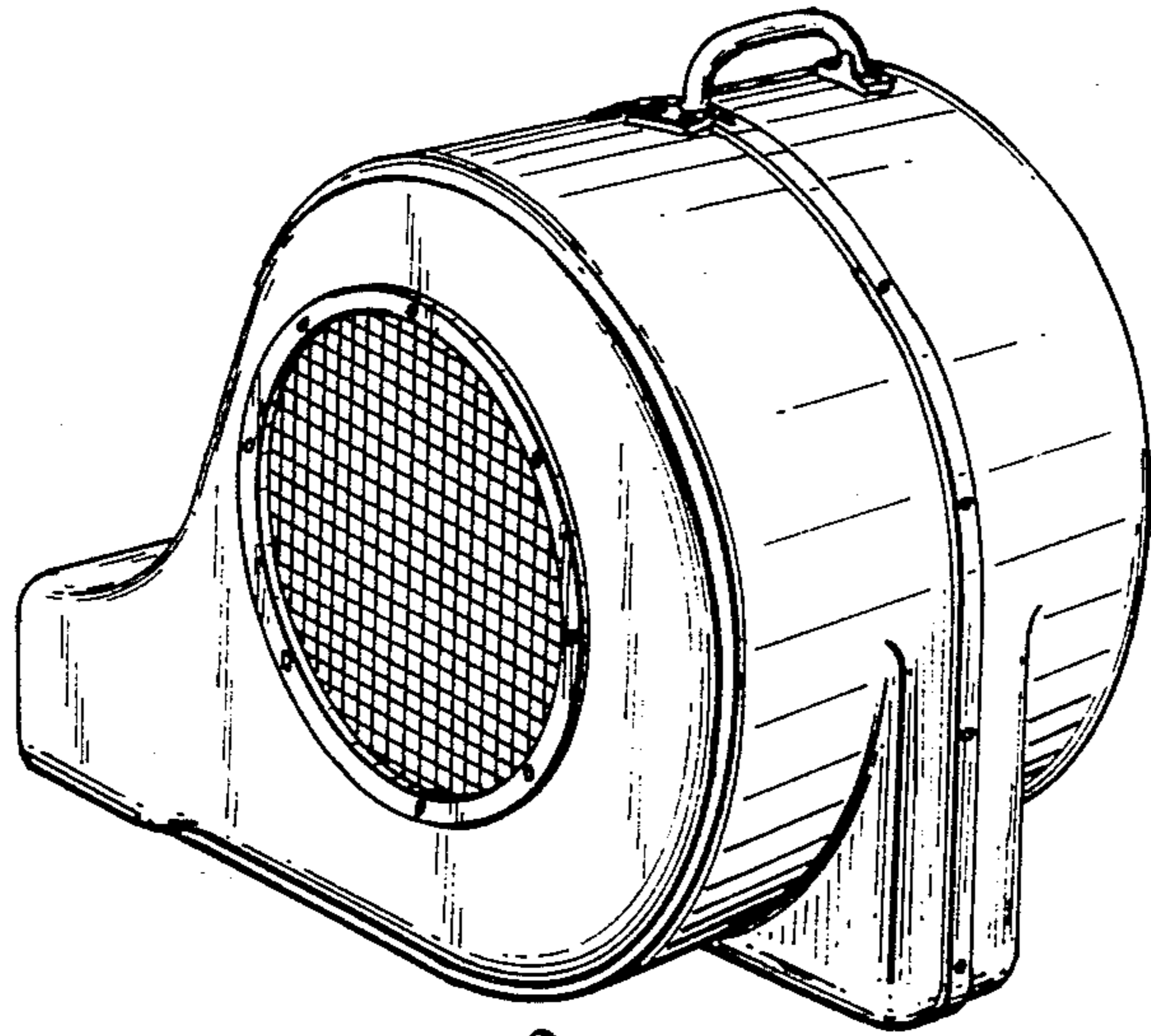


FIG. 2

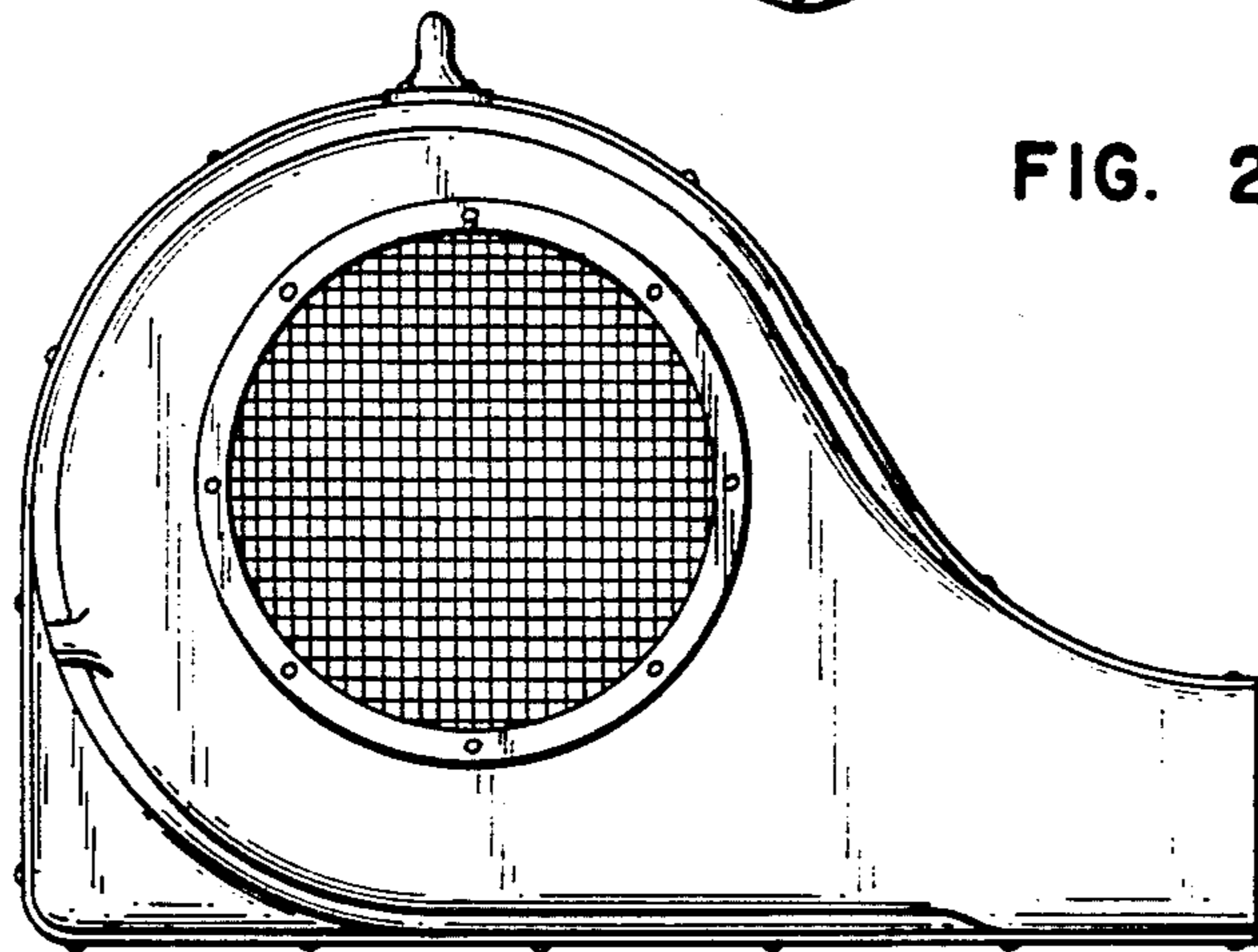


FIG. 3

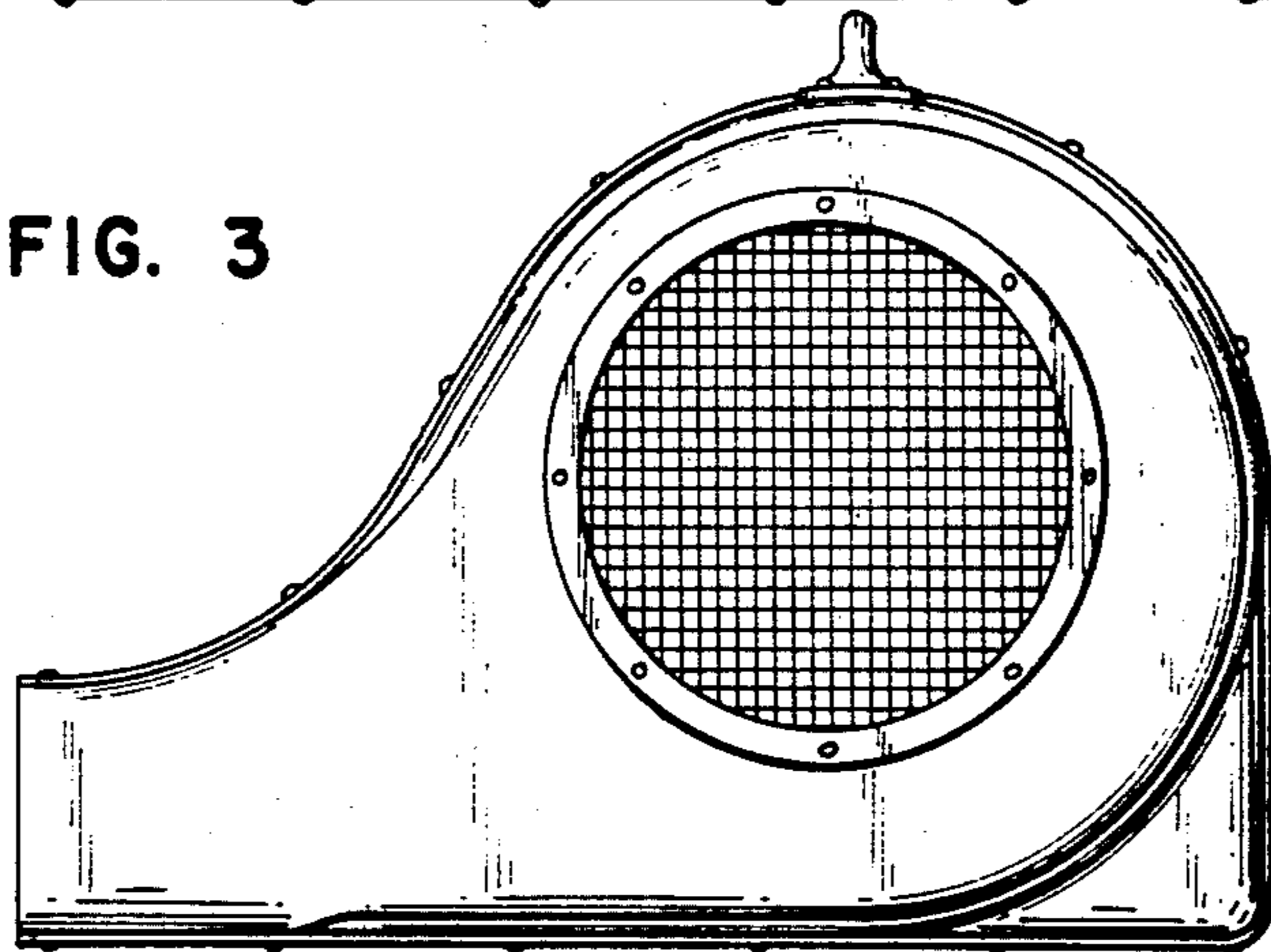


FIG. 4

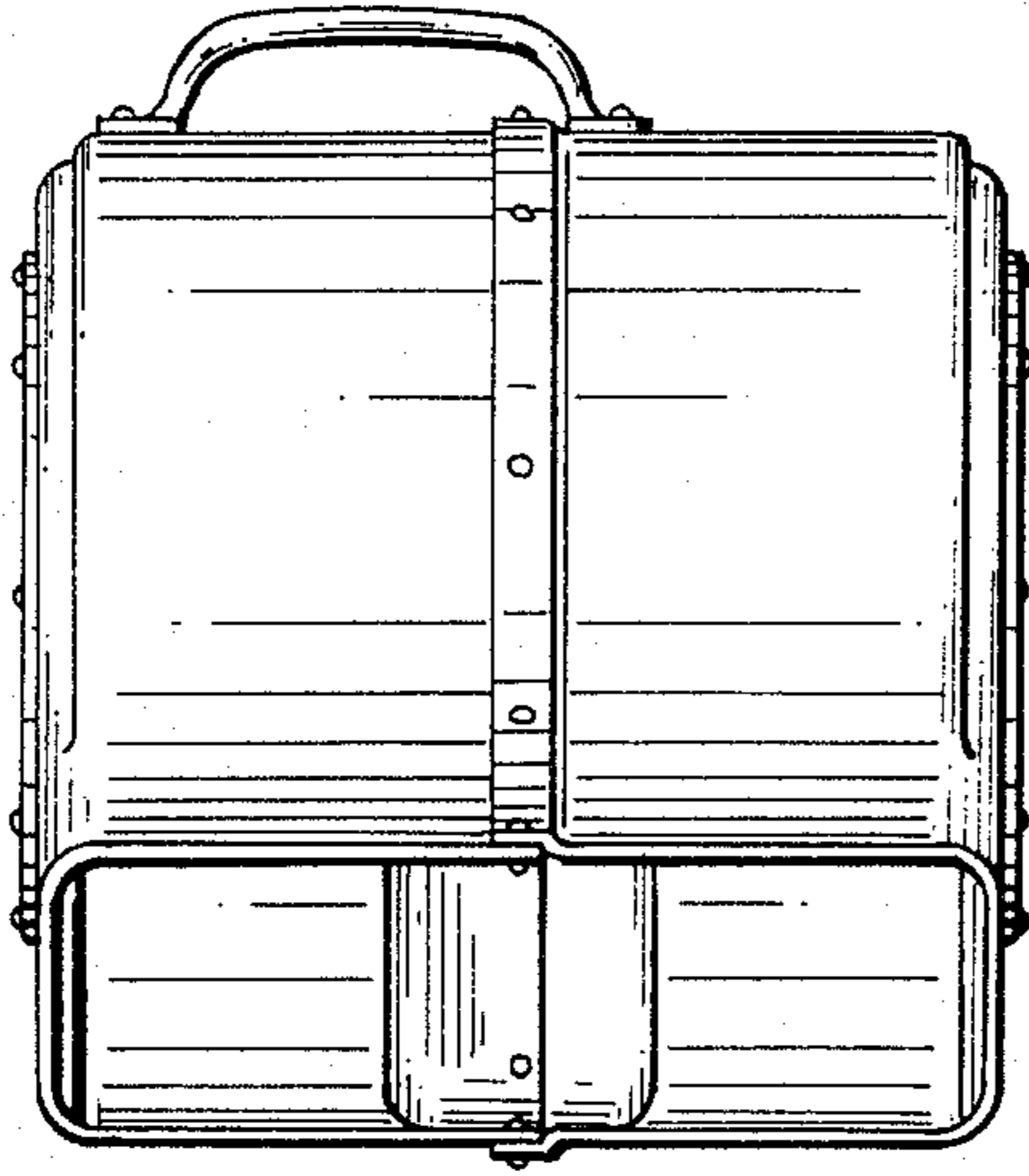


FIG. 5

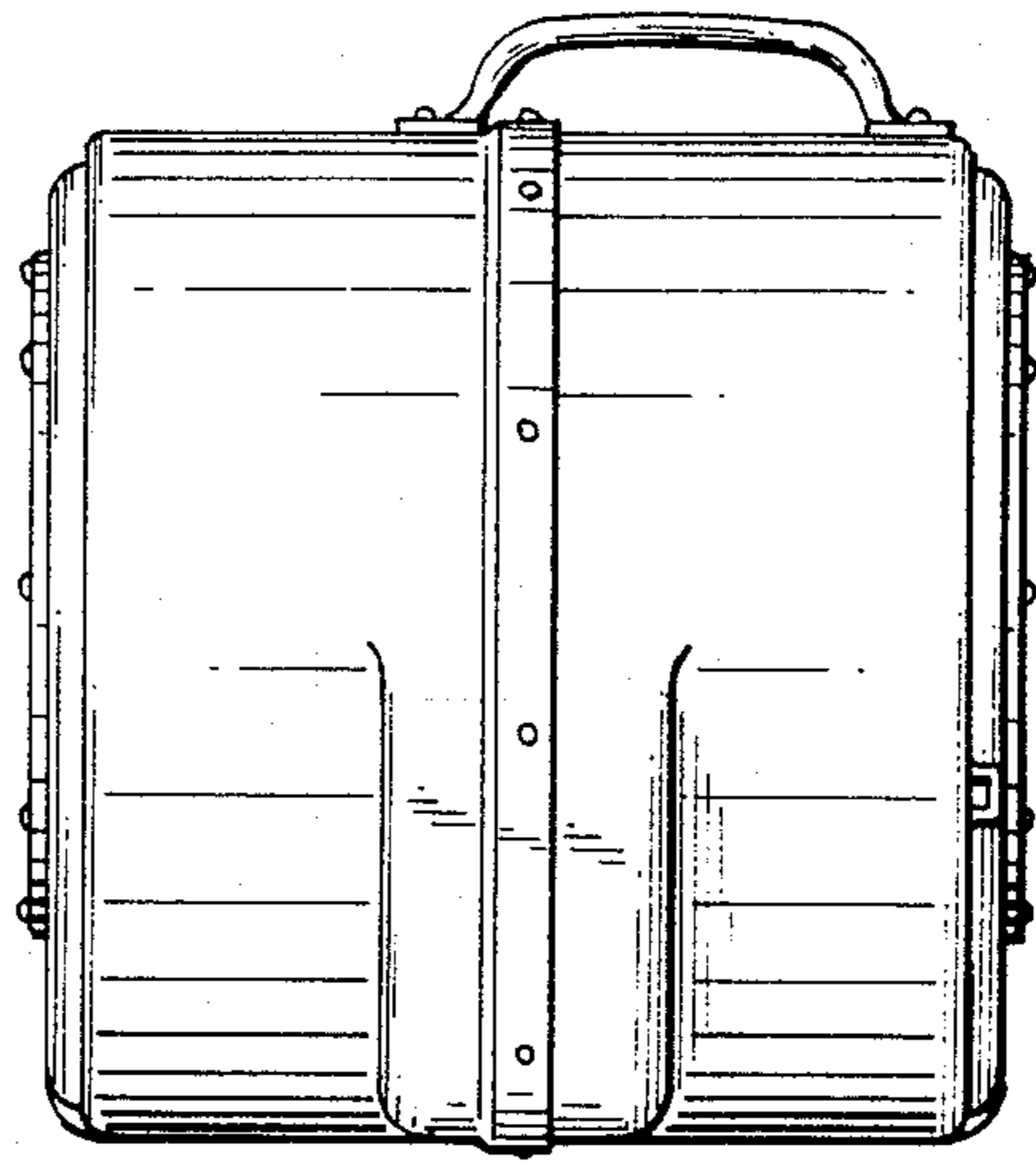


FIG. 6

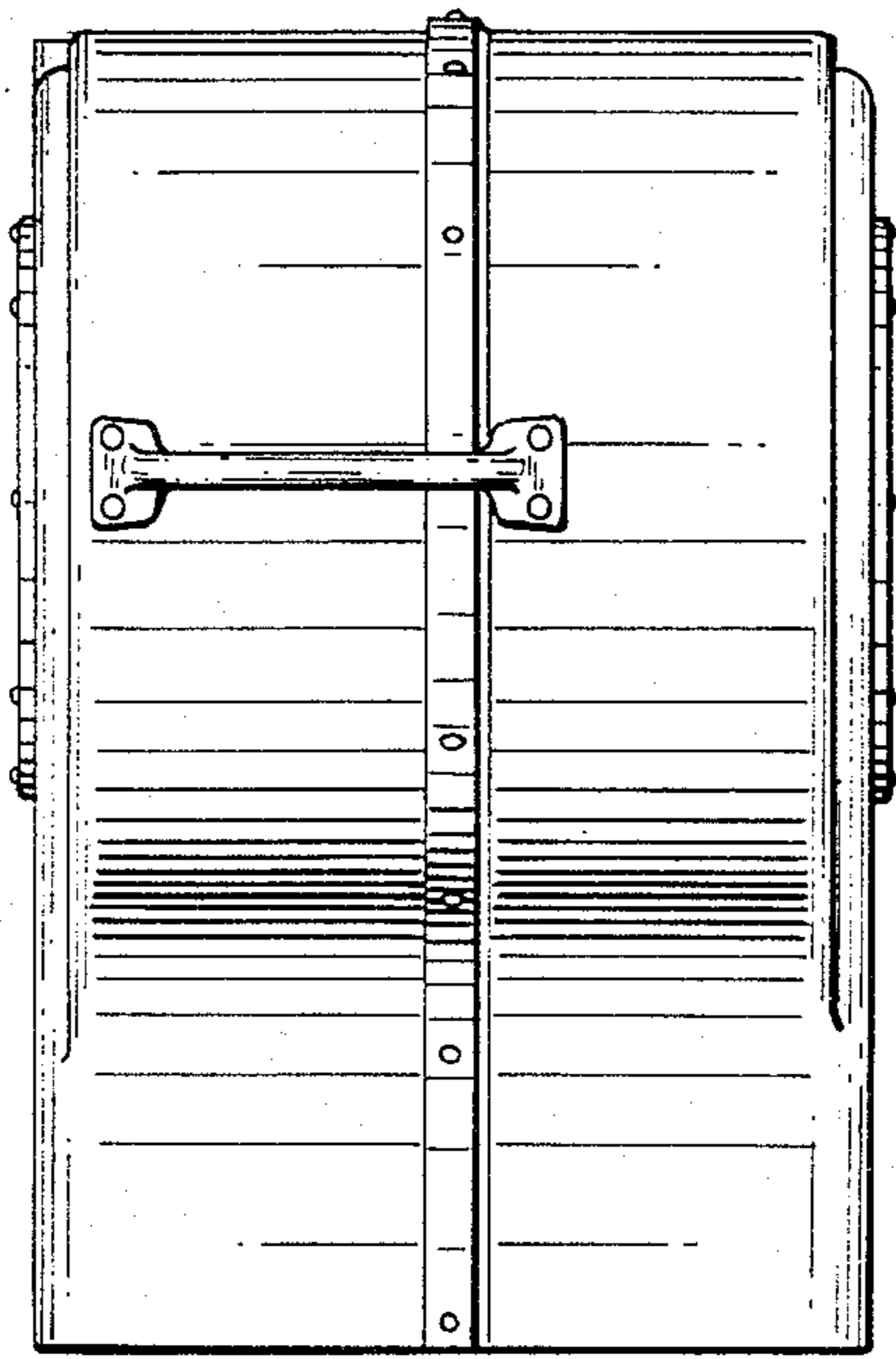


FIG. 7

