

# United States Patent [19]

Nishikawa et al.

[11] Patent Number: **Des. 282,395**

[45] Date of Patent: **\*\* Jan. 28, 1986**

[54] **STOVE**

[75] Inventors: **Hideo Nishikawa; Kenzo Okamoto; Koichi Sakai**, all of Osaka; **Fumihiko Kitada**, Neyagawa, all of Japan

[73] Assignee: **Imanishi Kinzoku Kogyo Kabushiki Kaisha (Imarflex Mfg. Co., Ltd.)**, Osaka, Japan

[\*\*] Term: **14 Years**

[21] Appl. No.: **506,310**

[22] Filed: **Jun. 21, 1983**

[30] **Foreign Application Priority Data**

Apr. 22, 1983 [JP] Japan ..... 58-17357

[52] U.S. Cl. .... **D23/121**

[58] Field of Search ..... D23/92, 93, 119-124; 126/92-97

[56] **References Cited**  
**PUBLICATIONS**

Hardware Age—Nov. 1979—p. 103—Kero—Sun Heaters.  
Hardware Age—Mar. 1982—p. 39—Yuasa Heater J-40.

*Primary Examiner*—Catherine E. Kemper  
*Attorney, Agent, or Firm*—McCormick, Paulding & Huber

[57] **CLAIM**

The ornamental design for a stove, as shown and described.

**DESCRIPTION**

FIG. 1 is a perspective view of a stove showing our new design; and,

FIG. 2 is another perspective view thereof.

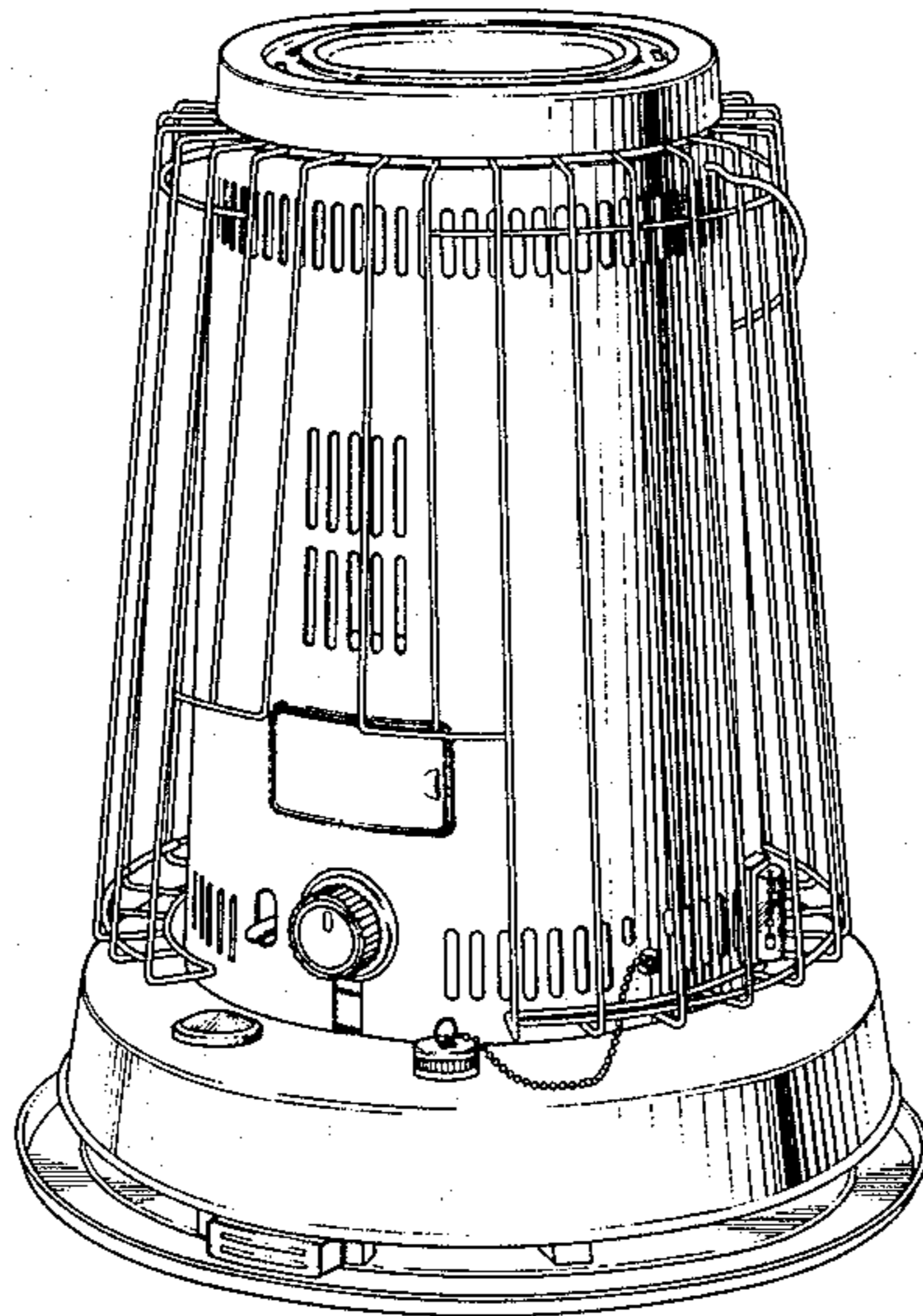


FIG. 1

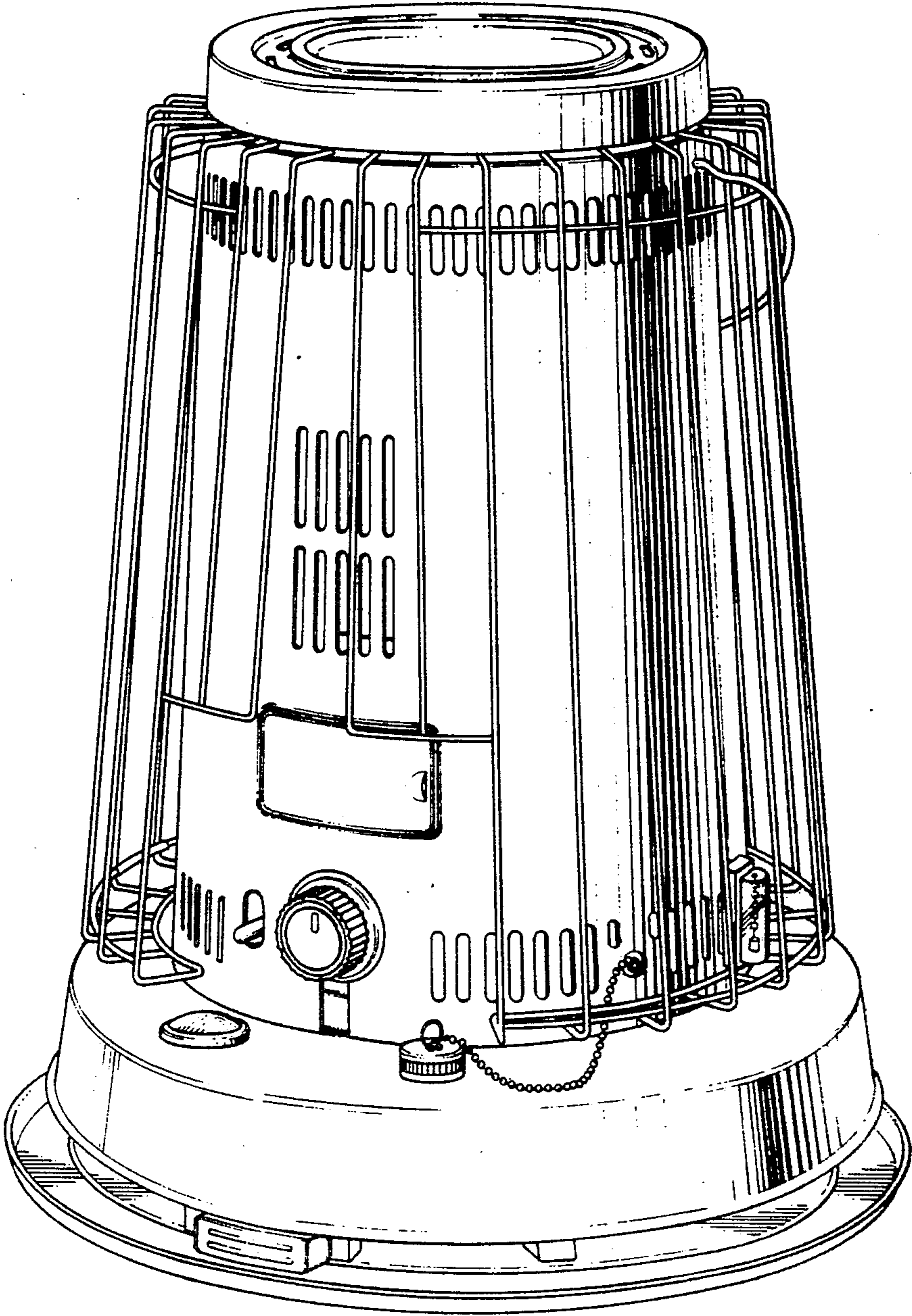


FIG. 2

