

[54] SPRAY HEAD

[75] Inventor: Ralph Ettlinger, Glencoe, Ill.

[73] Assignee: Amco Corporation, Chicago, Ill.

[**] Term: 14 Years

[21] Appl. No.: 533,292

[22] Filed: Sep. 19, 1983

[52] U.S. Cl. D23/37; D23/35

[58] Field of Search D23/34-37;
239/530, 562, 586, 588

[56] References Cited

U.S. PATENT DOCUMENTS

D. 168,803	2/1953	O'Brien	D23/37
D. 187,904	5/1960	Kellogg	D23/37
D. 225,736	1/1973	Mango et al.	D23/37
D. 228,908	10/1973	Juhlin	D23/35

D. 242,043	10/1976	Corder et al.	D23/35 X
D. 243,609	3/1977	Monö et al.	D23/35
D. 270,657	9/1983	Clivio et al.	D23/37
3,214,133	10/1965	Rodgers et al.	239/562 X
3,581,998	6/1971	Roche	239/428.5 X
4,151,957	5/1979	Gecewicz	239/562 X
4,344,578	8/1982	Shames et al.	239/583

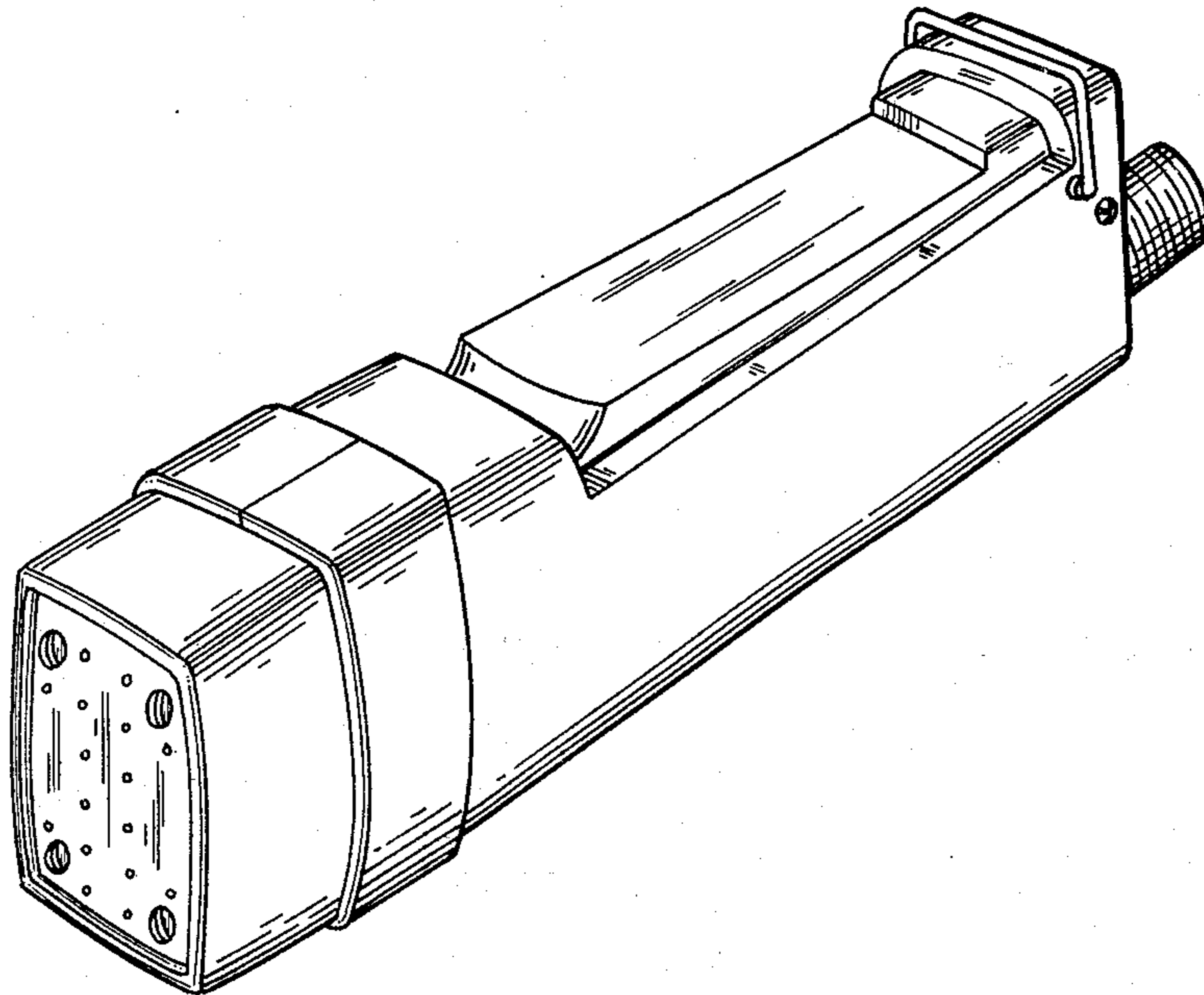
Primary Examiner—James R. Largen
Attorney, Agent, or Firm—Laff, Whitesel, Conte & Saret

[57] CLAIM

The ornamental design for a spray head, as shown.

DESCRIPTION

FIG. 1 is a perspective view taken from the top, front and right side of a spray head showing my new design; FIG. 2 is a bottom plan view thereof; FIG. 3 is a left side elevational view thereof; and FIG. 4 is a rear elevational view thereof.



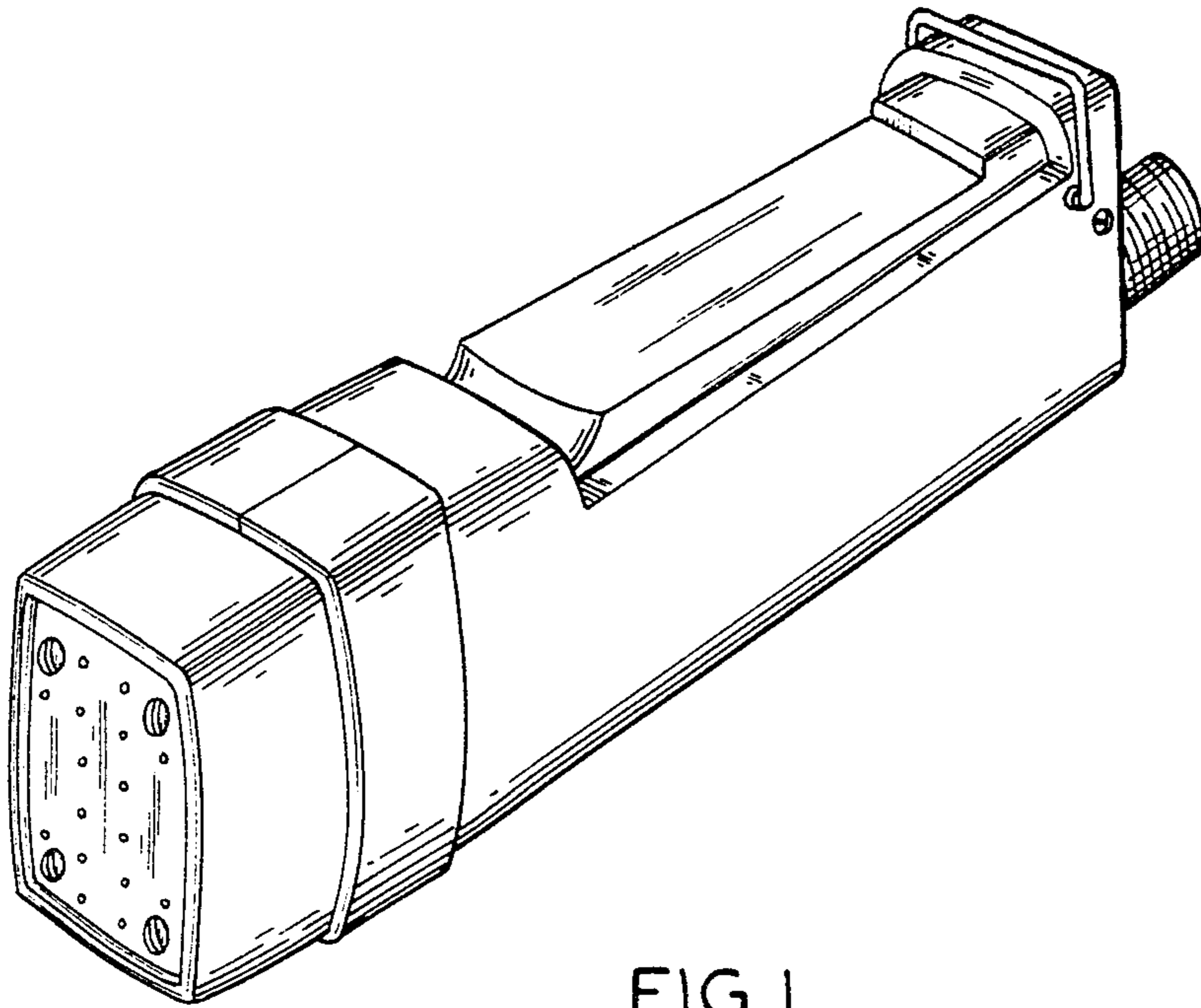


FIG. 1

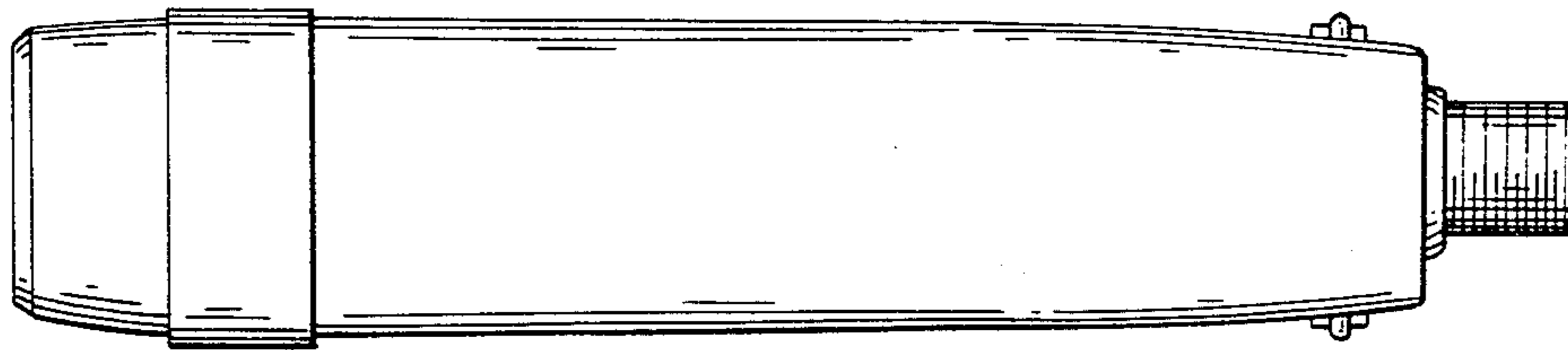


FIG. 2

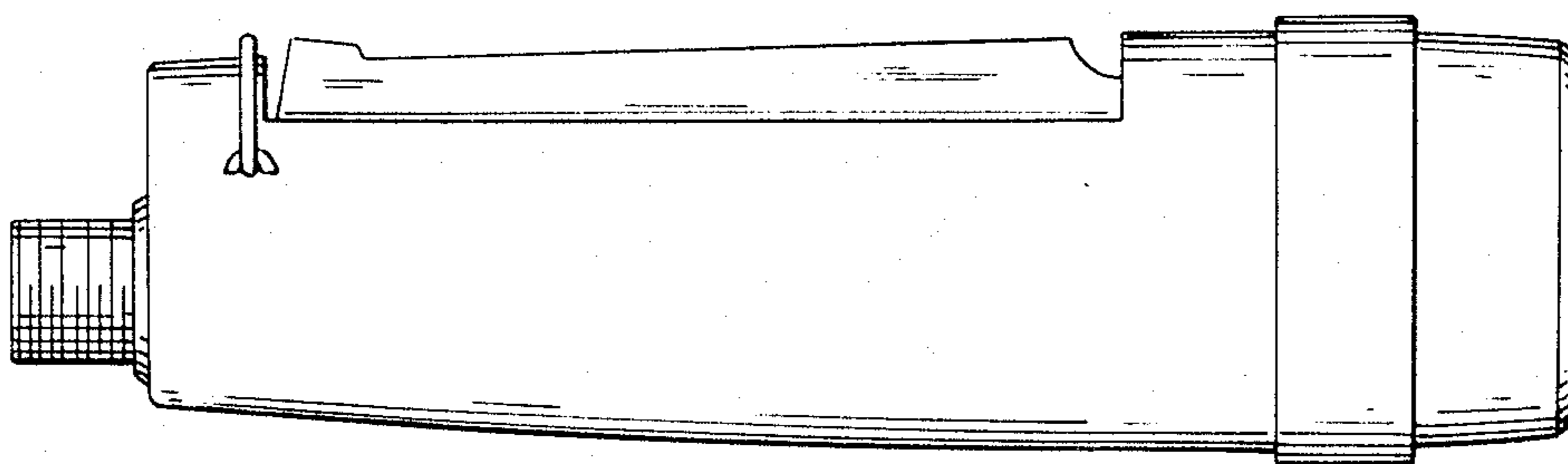


FIG. 3

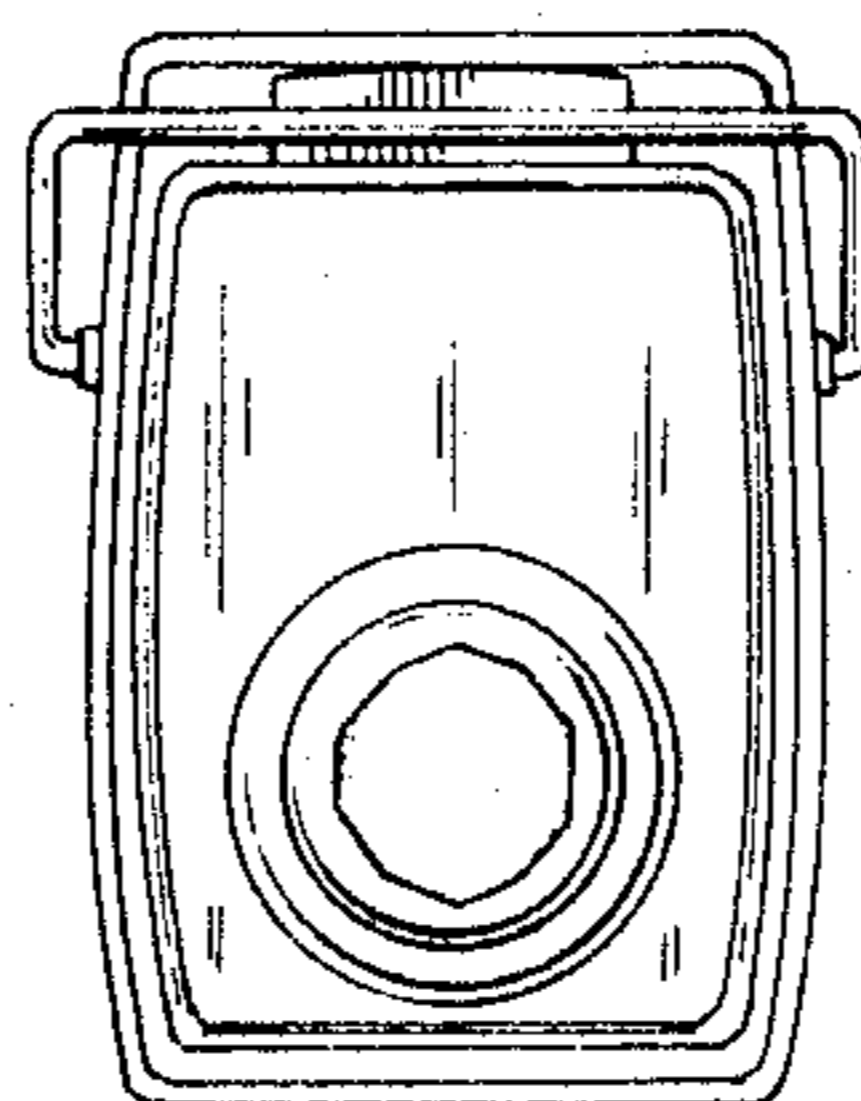


FIG. 4