

[54] SPRAY GUN

[76] Inventor: Robert W. Hengesbach, 7886 Mentor Rd., Mentor, Ohio 44060

[**] Term: 14 Years

[21] Appl. No.: 461,874

[22] Filed: Jan. 28, 1983

[52] U.S. Cl. D23/17

[58] Field of Search D23/17, 18, 34-39; 239/525, 526

Advertisement, Tri-Con, Inc., 1982, one page For: 700 Sandblaster and C-125 Hose Nozzle.

Brochure, Tri-Con, Inc., 1968, 4 pages, Titled: Tri-Con Hose Nozzles.

Brochure 179F, Spraying Systems Co., 1971, 8 pages, Titled: Spray Nozzles, Spray Guns, Valves and Accessories.

Brochure 200A, Spraying Systems Co., 1982, 6 pages, Titled: "QuickJet" System.

Brochure 201, Spraying Systems Co., undated, 6 pages, Titled: GunJet.

Industrial Catalog 27, Spraying Systems Co., 1978, 90 pages, Titled: Spray Nozzles and Accessories.

Primary Examiner—James R. Largent
Attorney, Agent, or Firm—David A. Burge

[56] References Cited

U.S. PATENT DOCUMENTS

D. 148,892	3/1948	Swimmer	D23/37
D. 179,285	11/1956	Francis	D23/37
D. 180,486	6/1957	Koeppel	D23/37
D. 212,153	9/1968	Wagner	D23/17
D. 259,733	6/1981	Tisserat et al.	D23/18
1,605,617	11/1926	Ruemelin .	
2,072,555	3/1937	Hengesbach et al. .	
2,293,390	8/1942	Hengesbach .	
2,659,629	11/1953	Graham .	
3,319,893	5/1967	Rodgers et al.	239/526 X
3,711,028	1/1973	Hengesbach .	
3,756,273	9/1973	Hengesbach .	
4,035,004	7/1977	Hengesbach .	
4,449,696	5/1984	Hengesbach .	
4,473,328	9/1984	Hengesbach .	

OTHER PUBLICATIONS

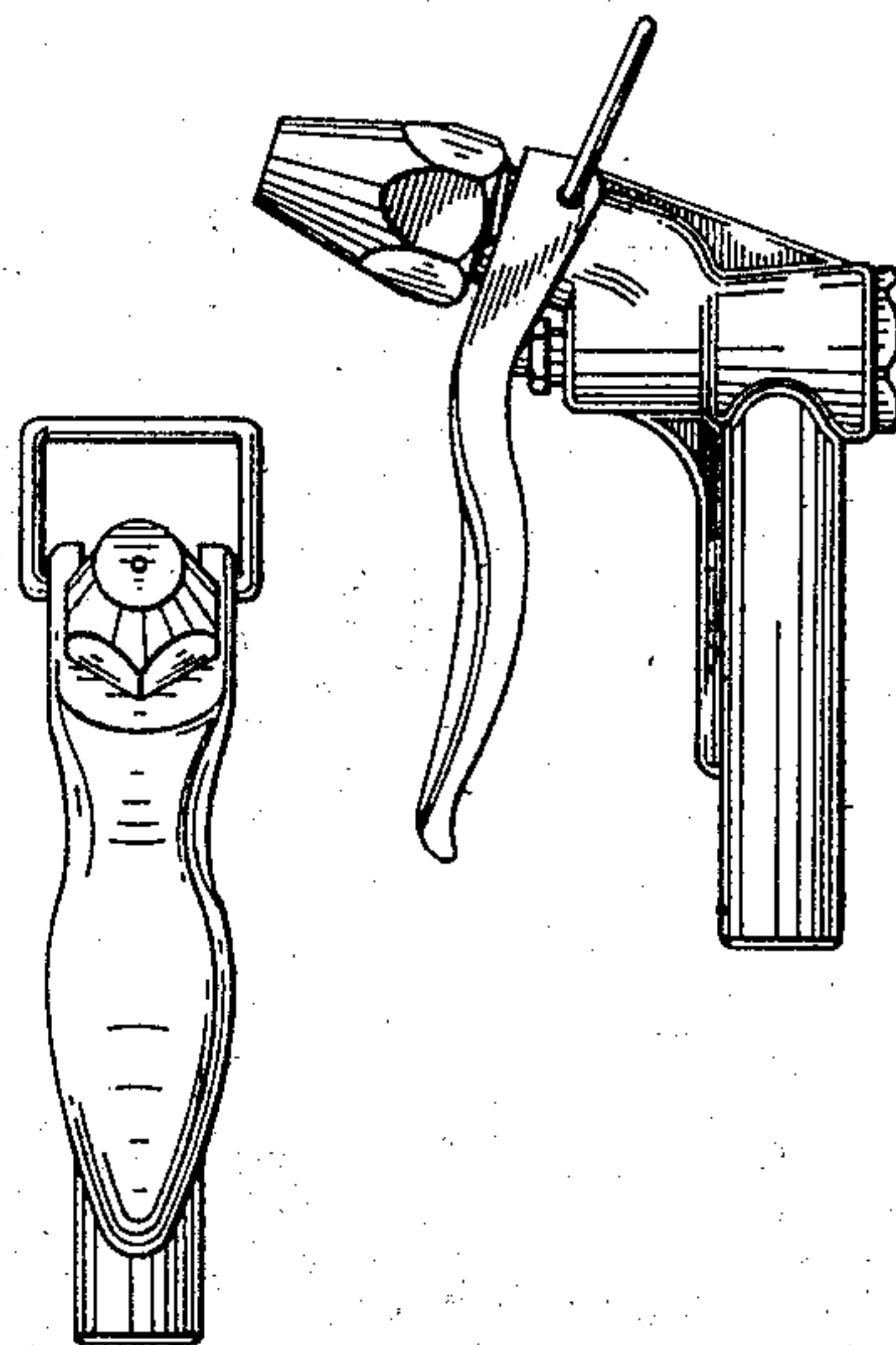
Descriptive brochure, Tri-Con, Inc., 1977, 4 pages untitled.

[57] CLAIM

The ornamental design for a spray gun, as shown and described.

DESCRIPTION

FIG. 1 is a right side elevational view of a spray gun showing my new design, the left side being a mirror image of the right side shown;
 FIG. 2 is a front elevational view thereof;
 FIG. 3 is a rear elevational view thereof;
 FIG. 4 is a top plan view thereof;
 FIG. 5 is a bottom plan view thereof;
 FIG. 6 is a right side elevational view of a modified form of the spray gun shown in FIG. 1, the left side being a mirror image of the right side shown;
 FIG. 7 is a front elevational view of FIG. 6;
 FIG. 8 is a rear elevational view of FIG. 6;
 FIG. 9 is a top plan view of FIG. 6; and
 FIG. 10 is a bottom plan view of FIG. 6.



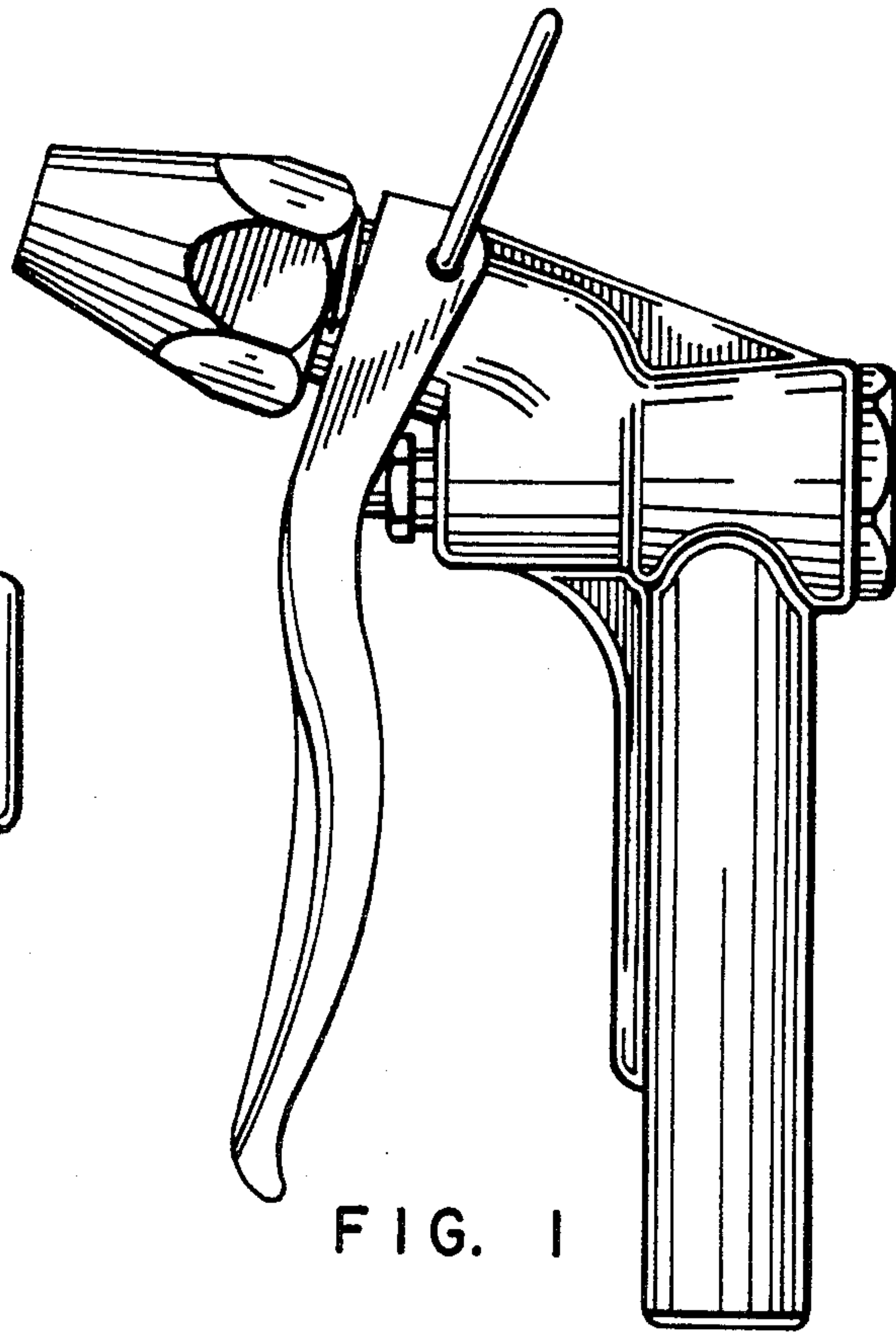


FIG. 1

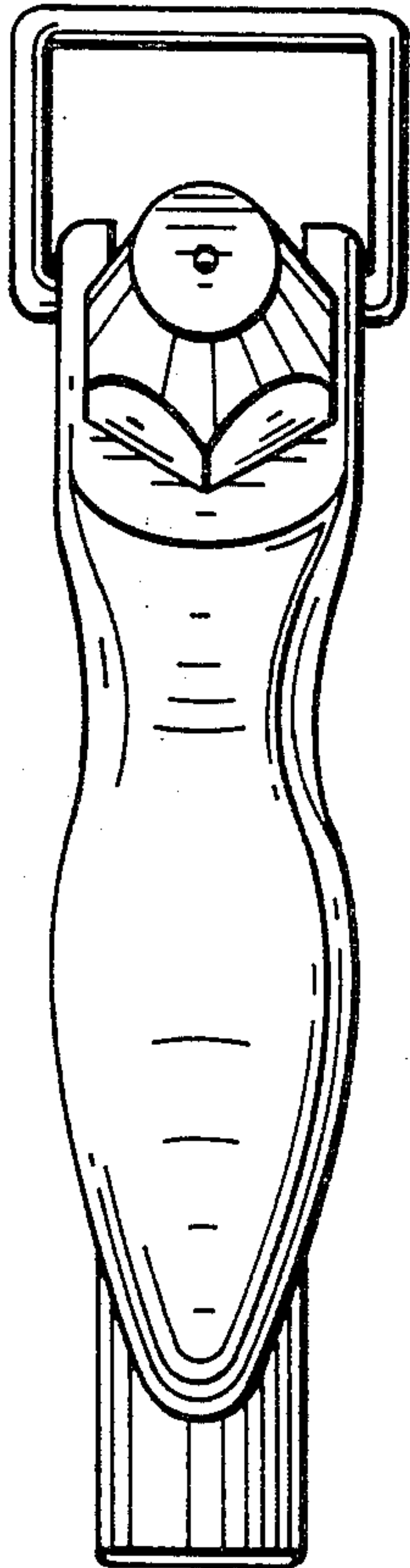


FIG. 2

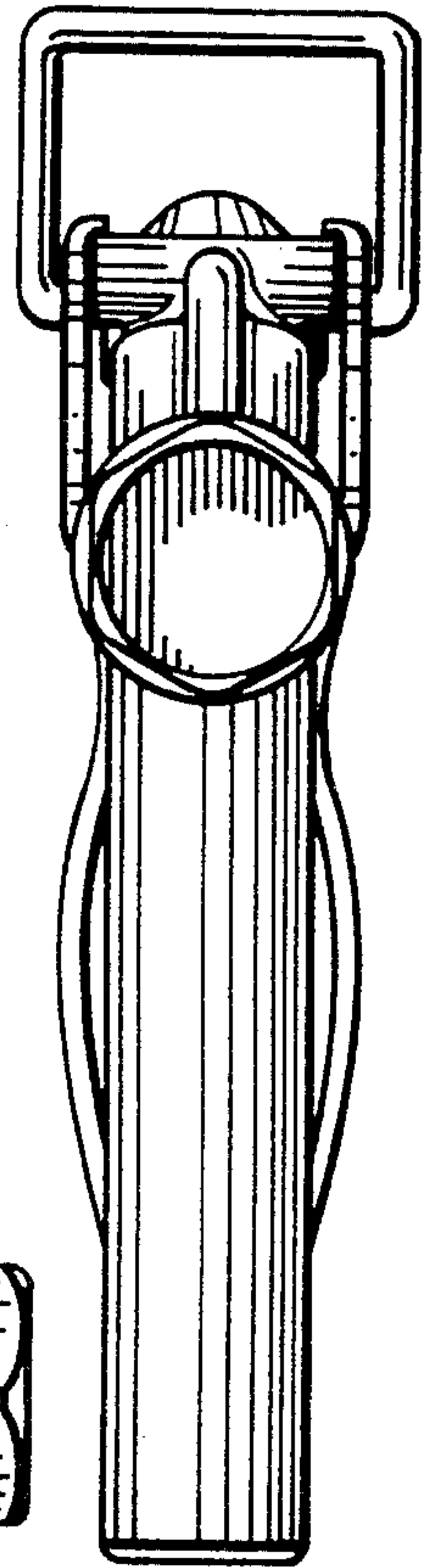


FIG. 3

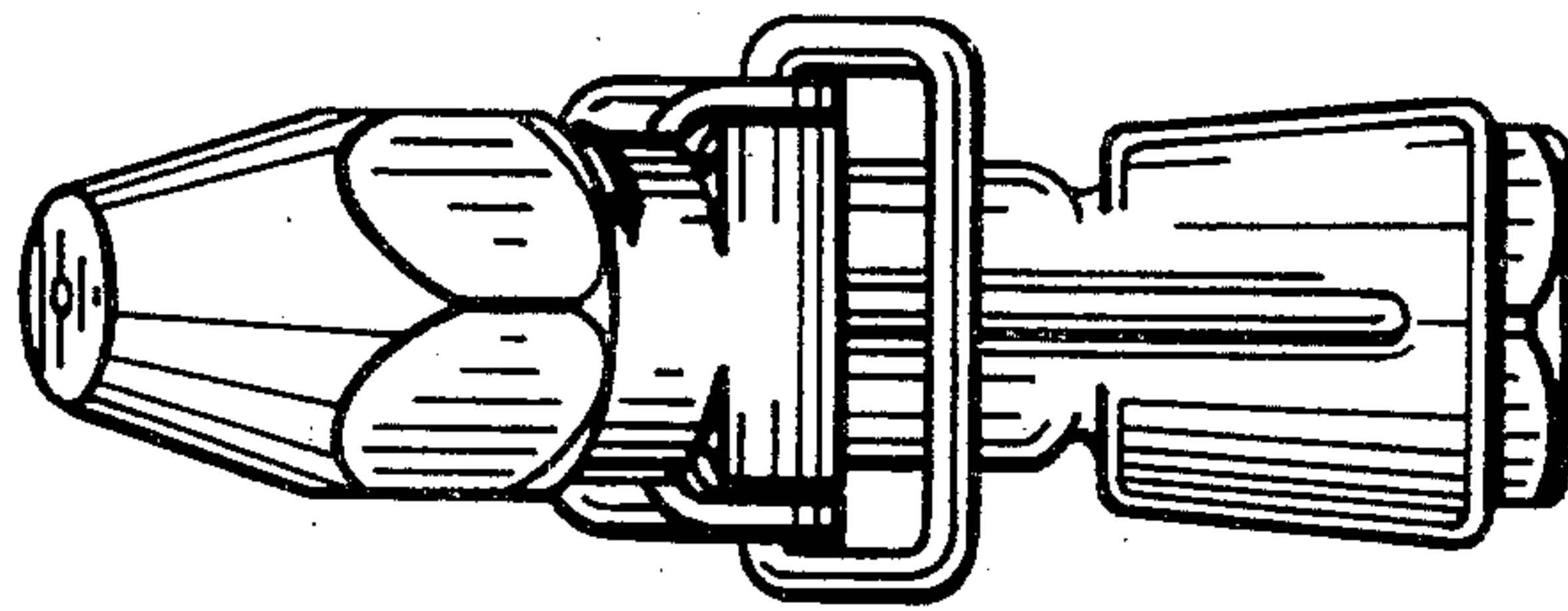


FIG. 4

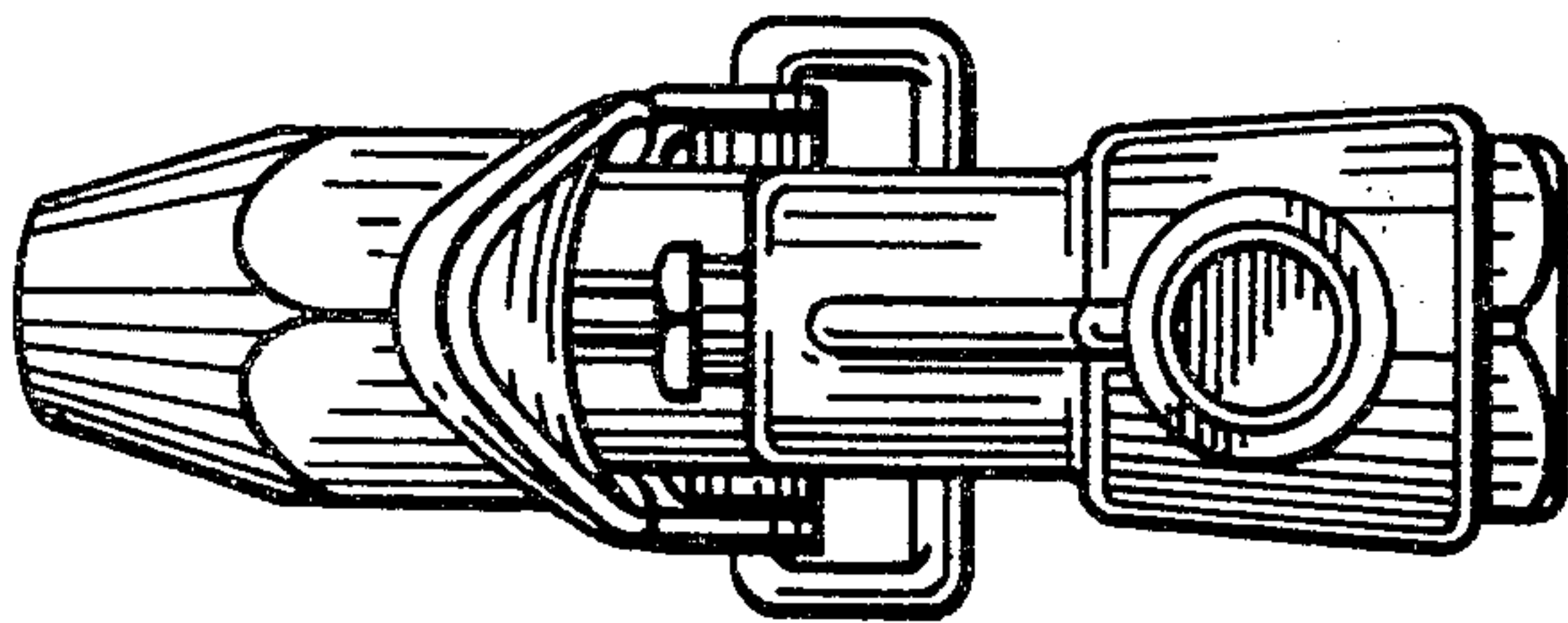


FIG. 5

