

[54] **SIGNALLING DEVICE FOR FISHING**
[75] **Inventor: Clarence E. Hill, Tipton, Mo.**
[73] **Assignee: Sportsman's Enterprises, St. Joseph, Mo.**
[**] **Term: 14 Years**
[21] **Appl. No.: 529,377**
[22] **Filed: Sep. 6, 1983**
[52] **U.S. Cl. D22/13; D22/23**
[58] **Field of Search D22/22, 23, 13, 25; 43/15, 16, 17, 21.2**

3,546,805 12/1970 Schaeffer 43/17
3,670,443 6/1972 Federline 43/17
3,680,244 8/1972 Cala 43/17
4,112,607 9/1978 Scher D22/13 X

Primary Examiner—A. Hugo Word
Attorney, Agent, or Firm—Kokler, Kircher, Bradley, Wharton, Bowman & Johnson

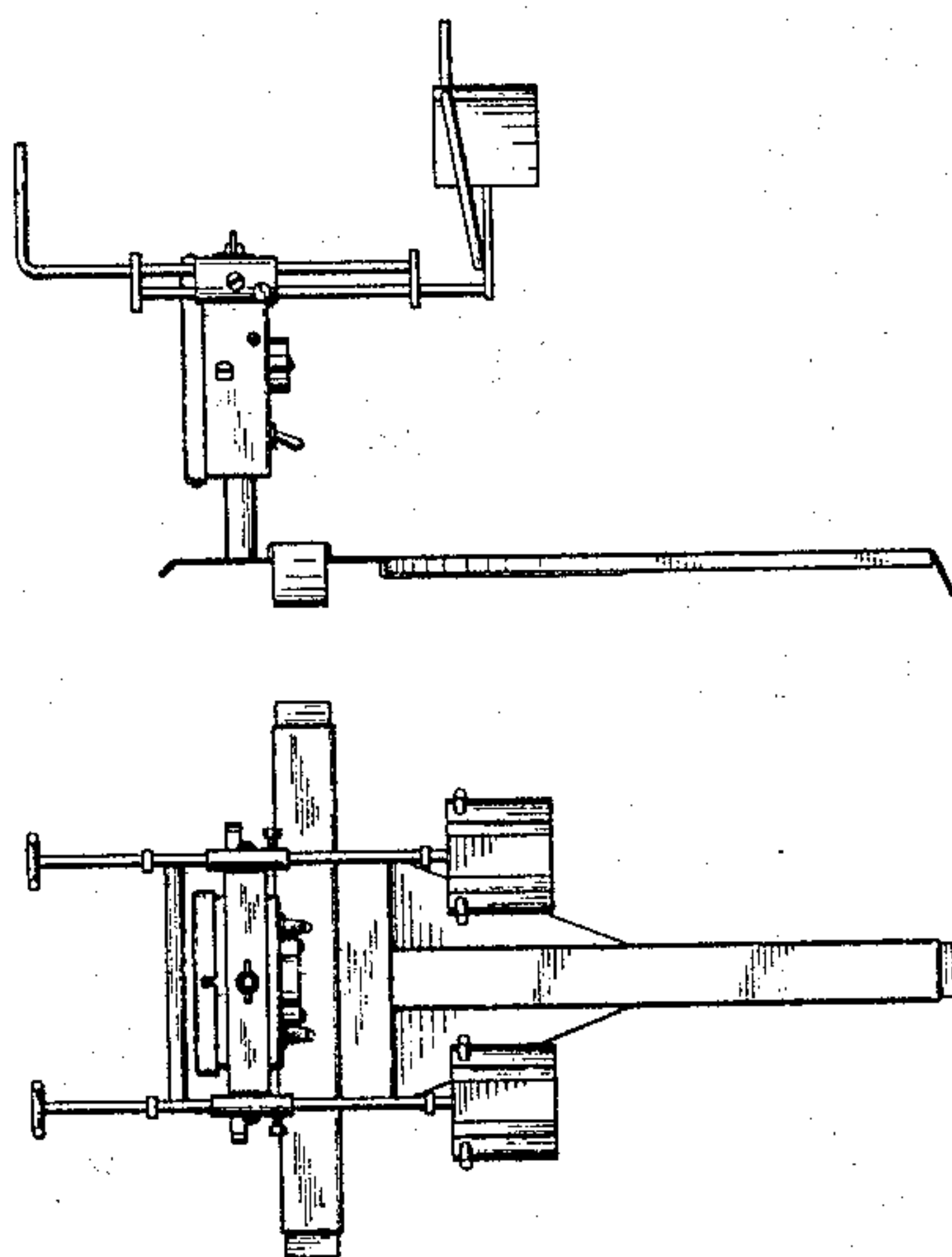
[57] **CLAIM**

The ornamental design for a signalling device for fishing, as shown and described.

DESCRIPTION

FIG. 1 is a side elevational view of a signalling device for fishing embodying the new design, the side opposite being substantially a mirror image of the side shown; FIG. 2 is a top plan view thereof; the bottom view of the device not normally being apparent; FIG. 3 is a front elevational view thereof; and FIG. 4 is a rear elevational view thereof.

[56] **References Cited**
U.S. PATENT DOCUMENTS
D. 253,958 1/1980 Bullock D22/23 X
2,843,962 7/1958 Porter D22/13 X
3,170,262 2/1965 Hall D22/13 X
3,385,544 5/1968 Barnett 43/21.2



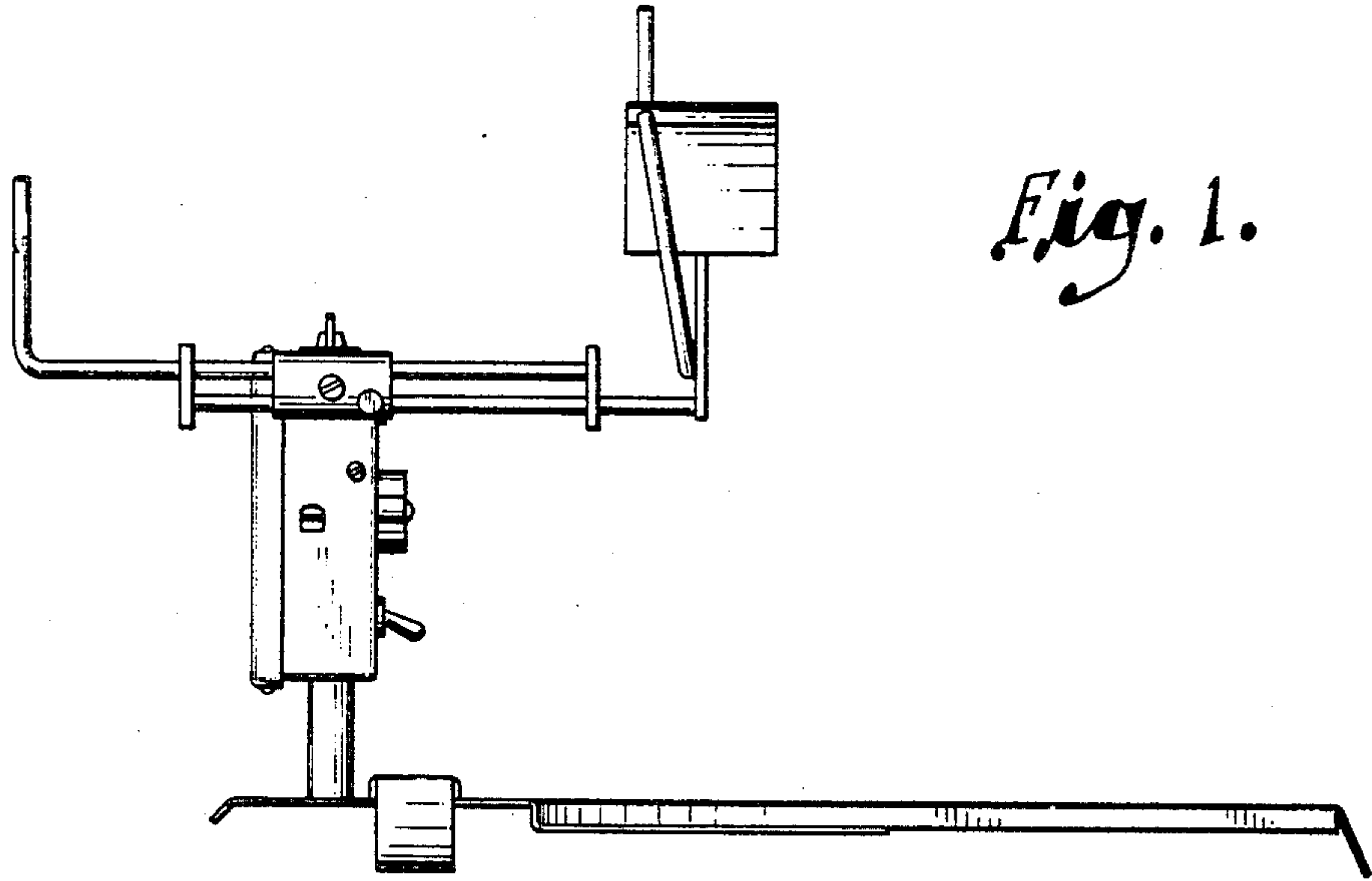


Fig. 1.

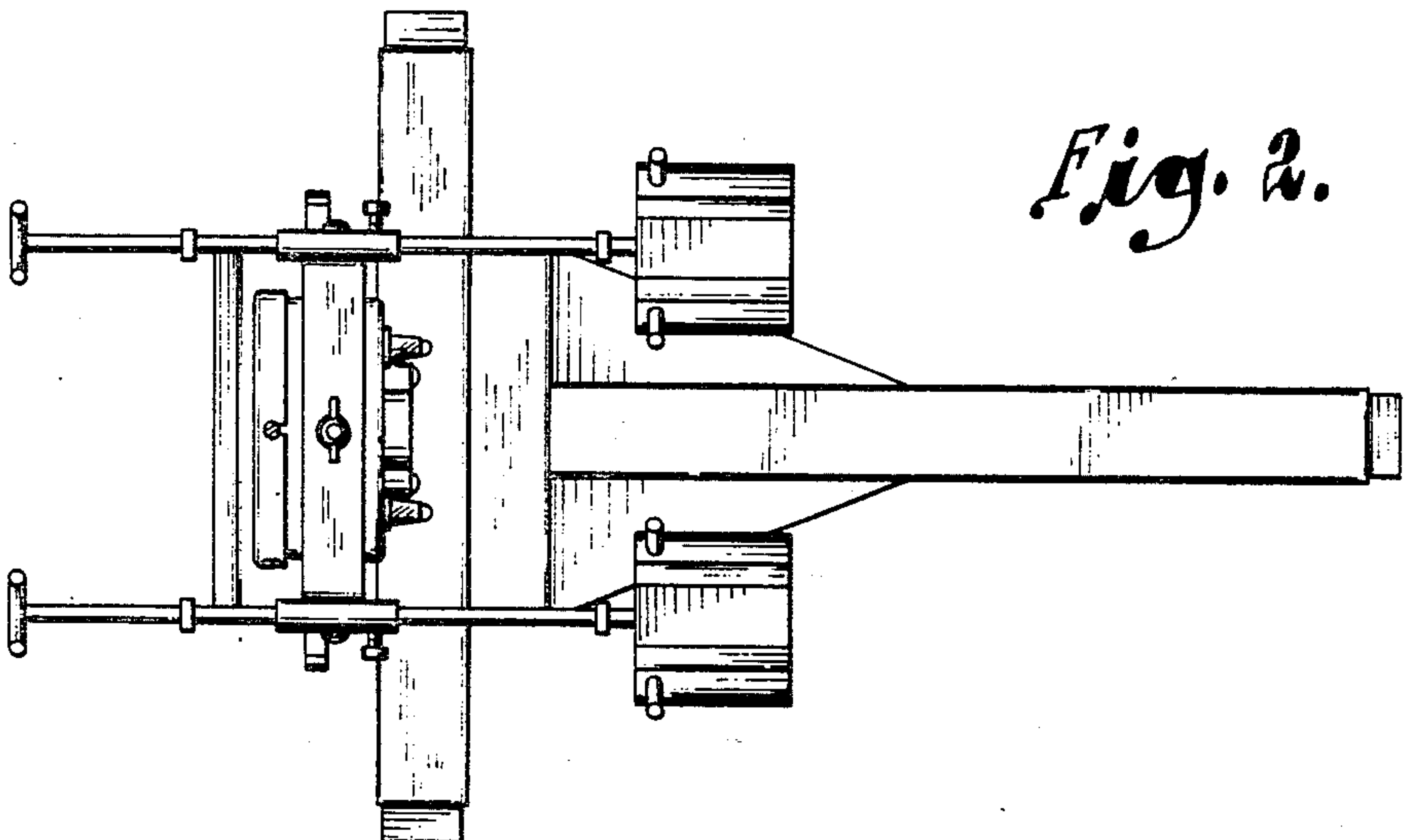


Fig. 2.

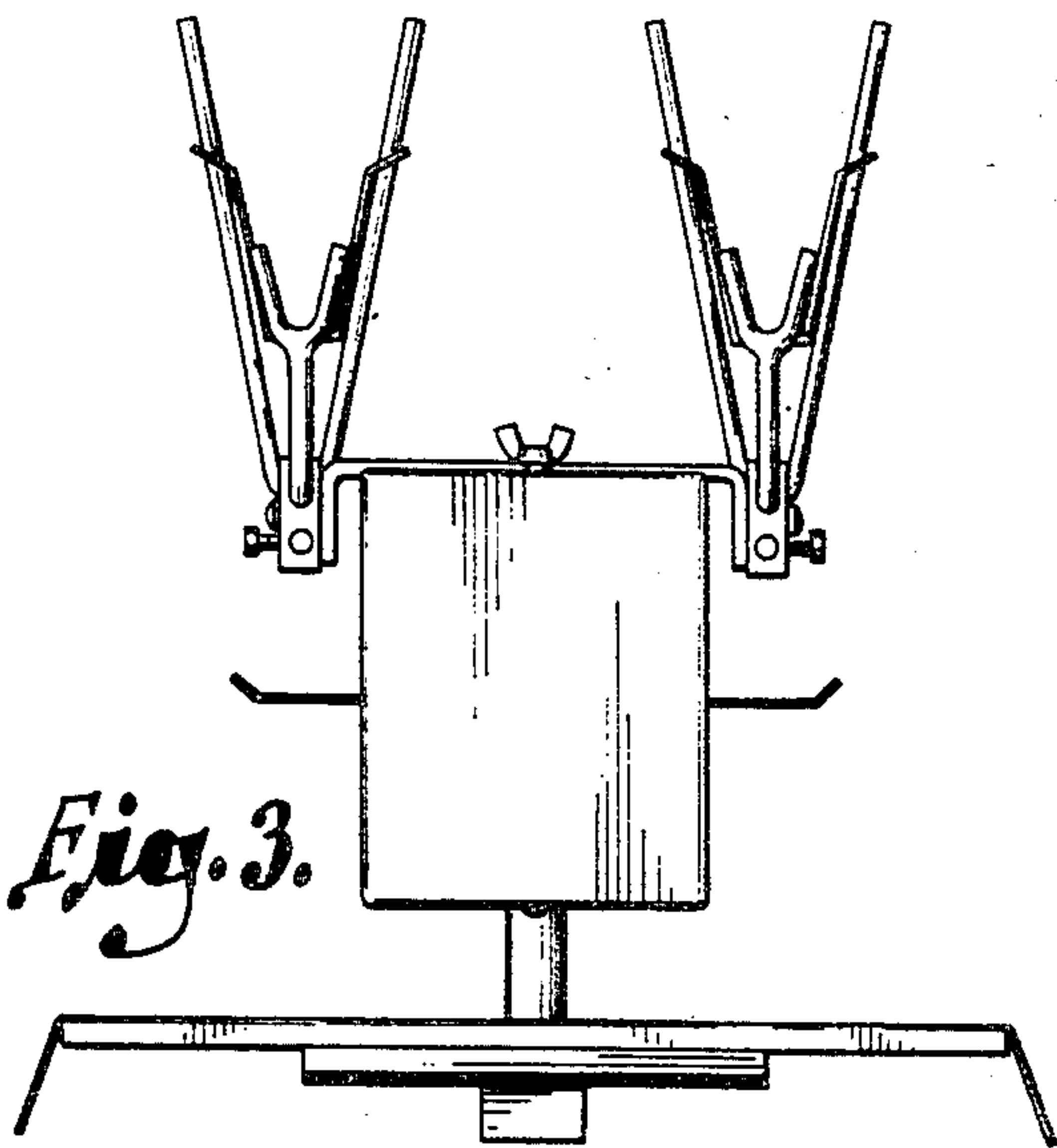


Fig. 3.

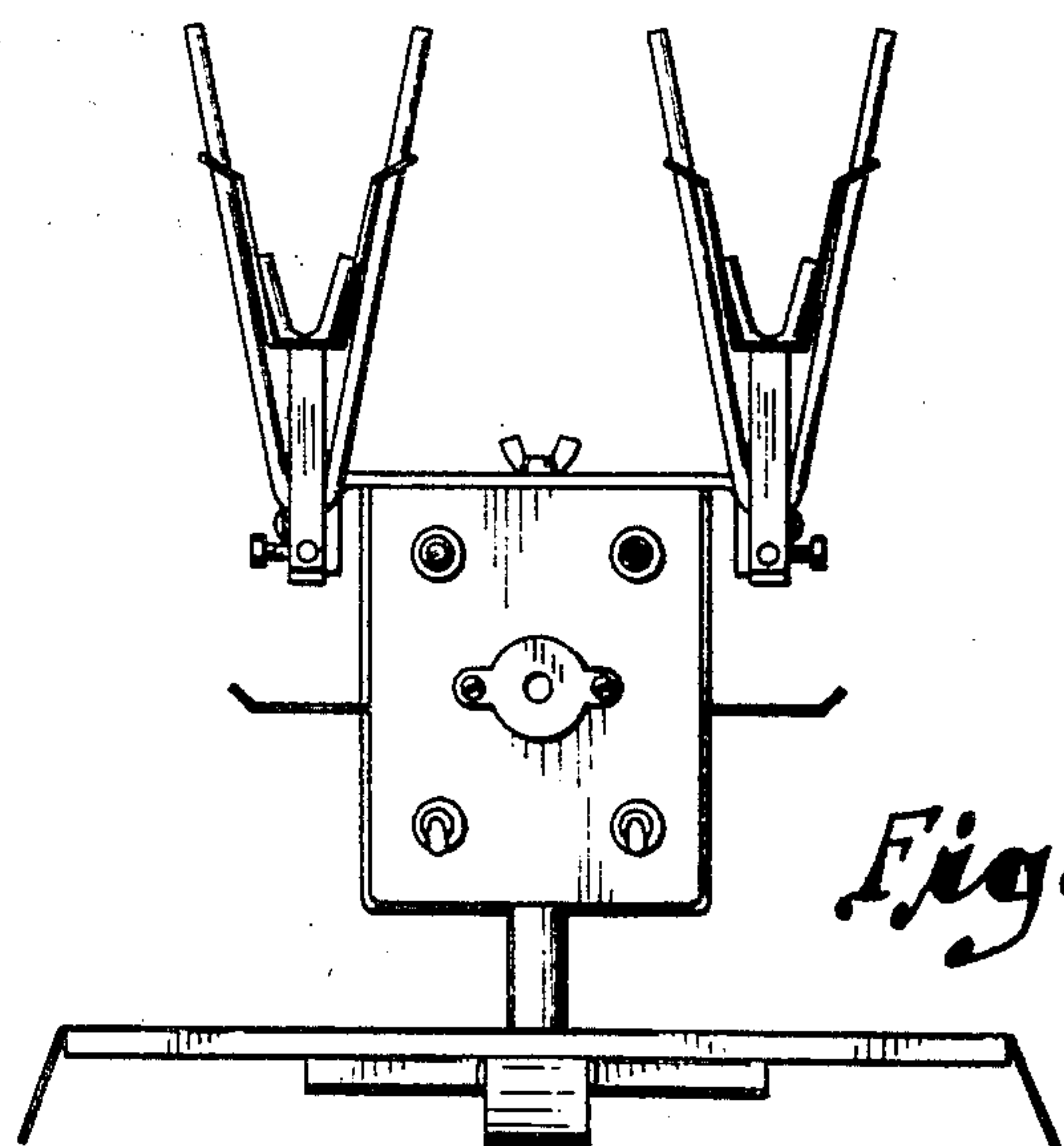


Fig. 4.