

[54] **RIFLE BOLT**

[75] **Inventor: Neal K. Pashman, Wichita Falls, Tex.**

[73] **Assignee: Wichcraft Prodc, Inc., Wichita Falls, Tex.**

[**] **Term: 14 Years**

[21] **Appl. No.: 519,409**

[22] **Filed: Aug. 1, 1983**

[52] **U.S. Cl. D22/7**

[58] **Field of Search 42/16, 69 R, 69 A, 69 B, 42/76 A; D22/6, 7**

[56] **References Cited**

U.S. PATENT DOCUMENTS

D. 201,970 8/1965 Benson D22/6

D. 218,304 8/1970 Ruger D22/7
4,152,855 5/1979 DuBiel et al. 42/16
4,454,672 6/1984 Timari 42/16

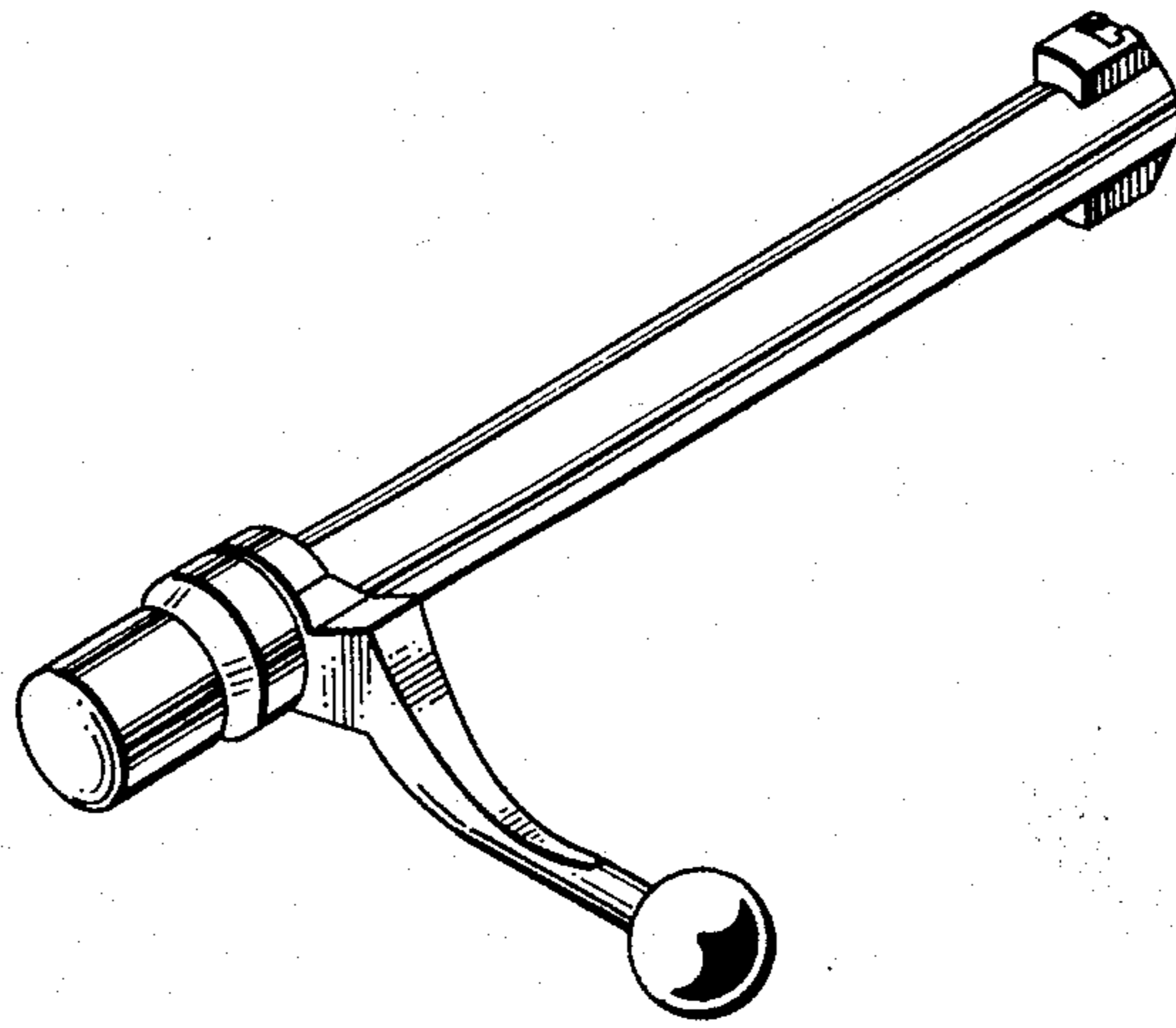
Primary Examiner—A. Hugo Word
Attorney, Agent, or Firm—Glaser, Griggs & Schwartz

[57] **CLAIM**

The ornamental design for a rifle bolt, as shown and described.

DESCRIPTION

FIG. 1 is a perspective view of my new rifle bolt design; FIG. 2 is a top plan view thereof; FIG. 3 is a left side elevation view thereof; FIG. 4 is a right side elevation view thereof; FIG. 5 is a front elevation view thereof; FIG. 6 is a rear elevation view thereof; and, FIG. 7 is a bottom plan view thereof.



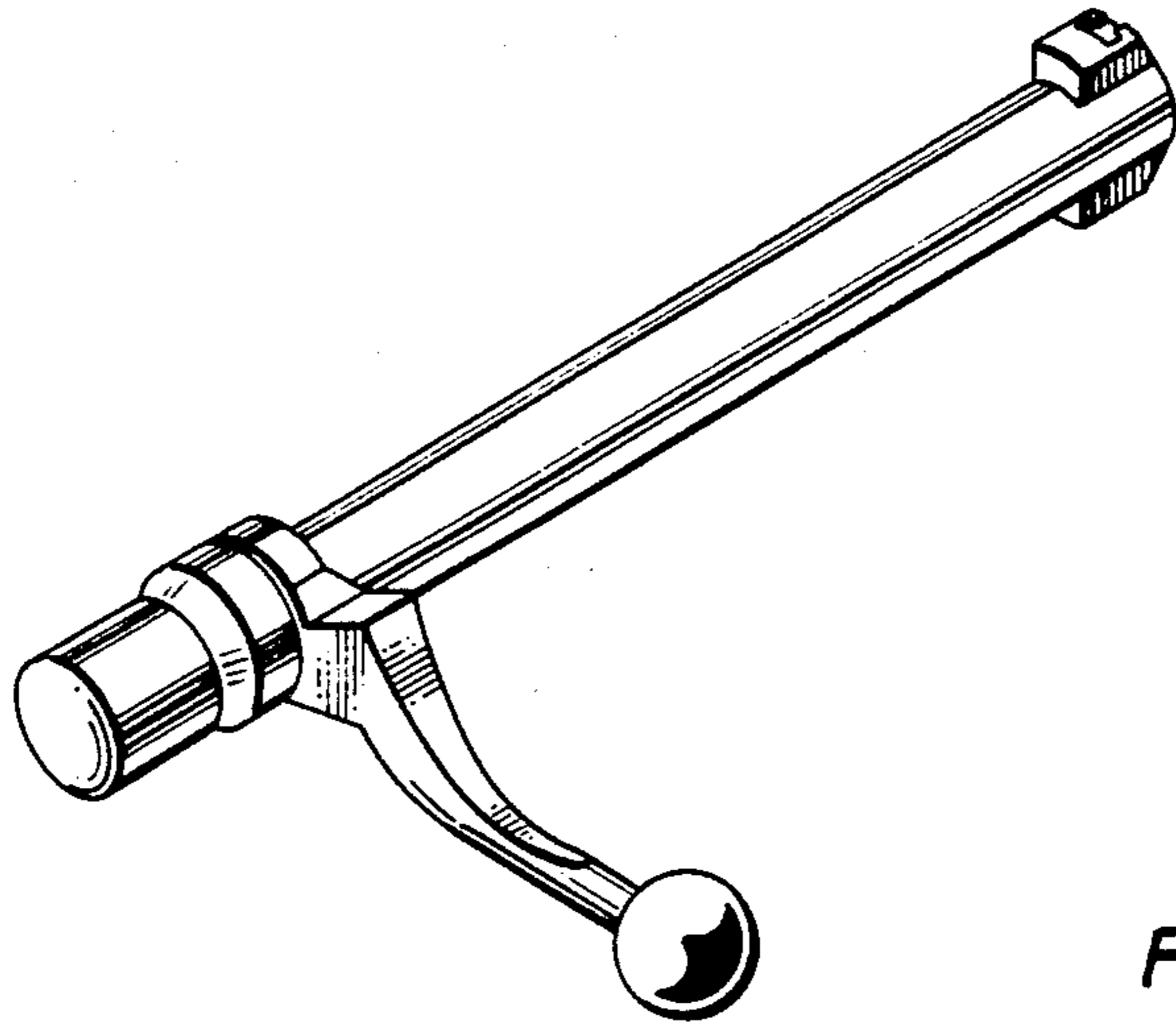


FIG. 1

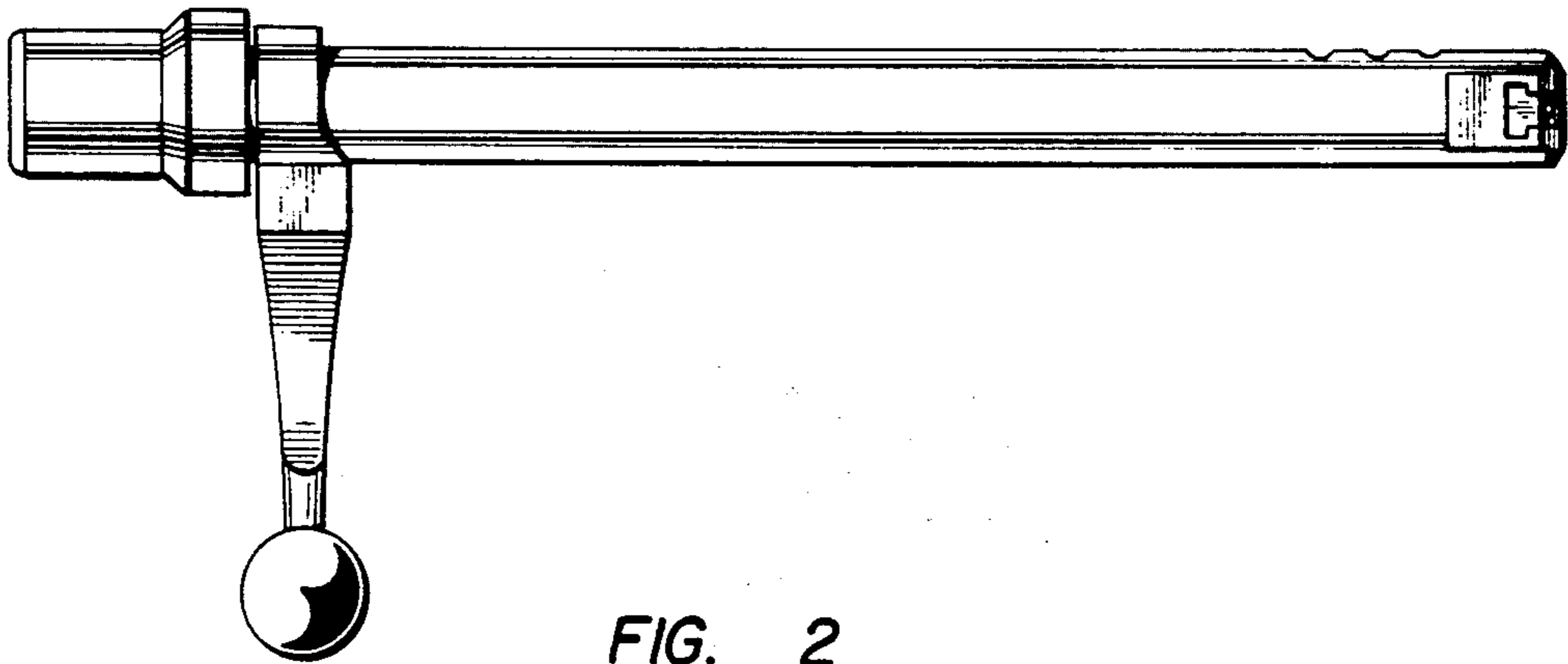


FIG. 2

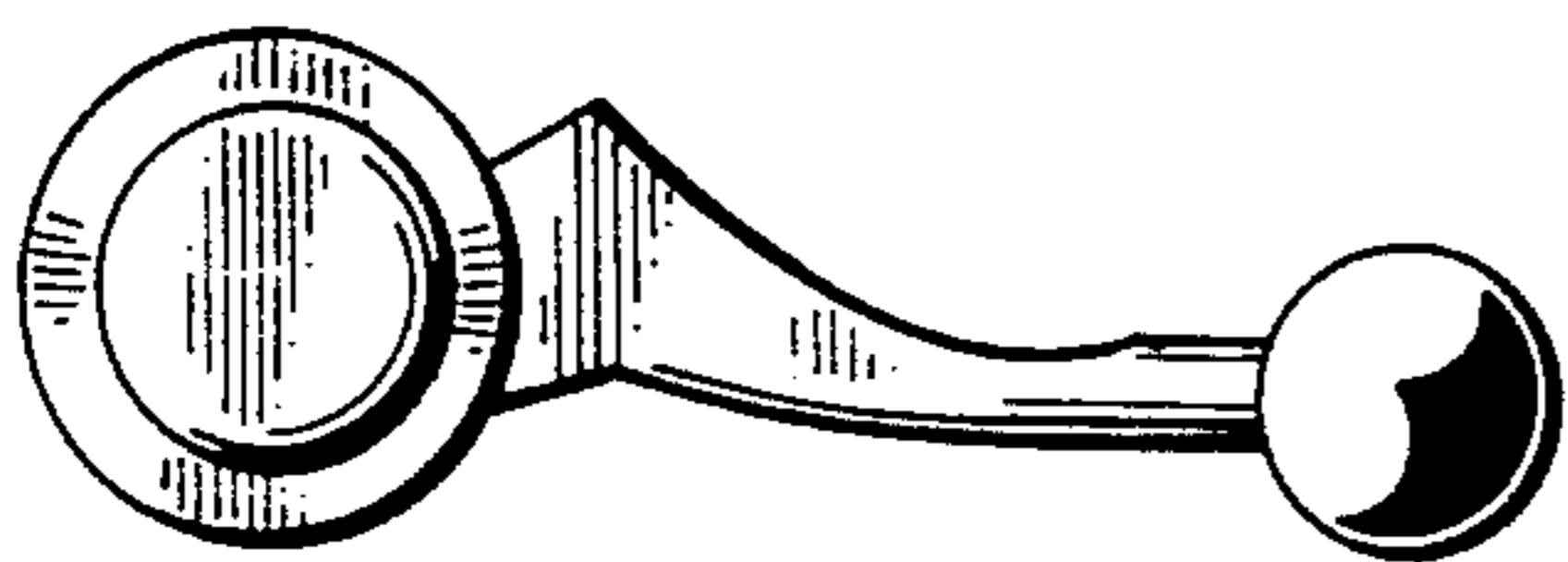


FIG. 3

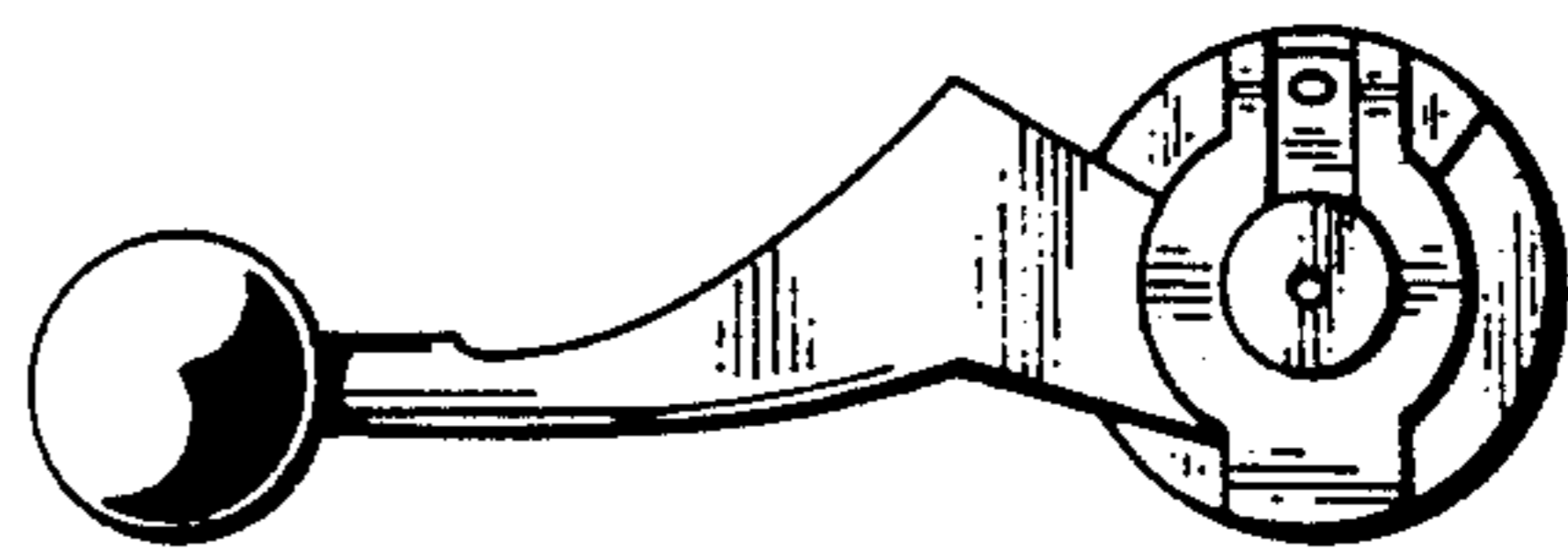


FIG. 4

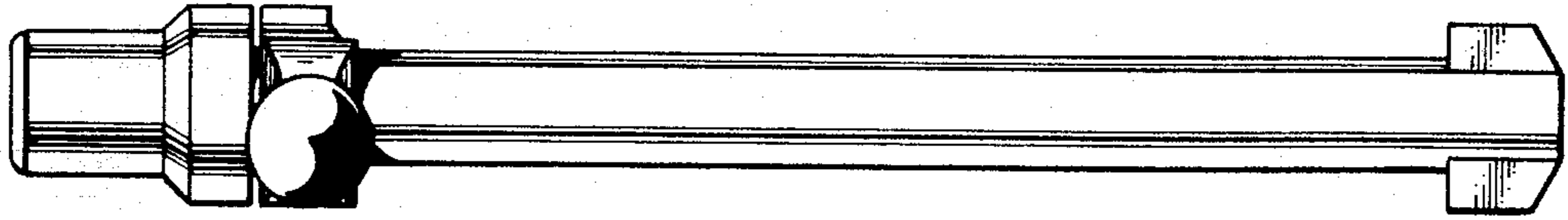


FIG. 5

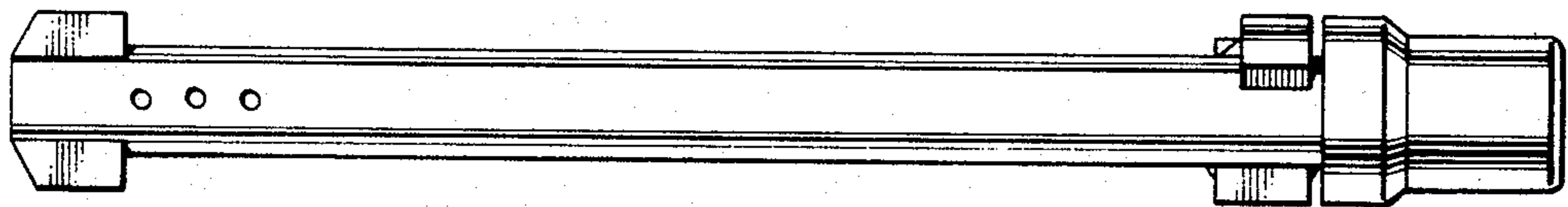


FIG. 6

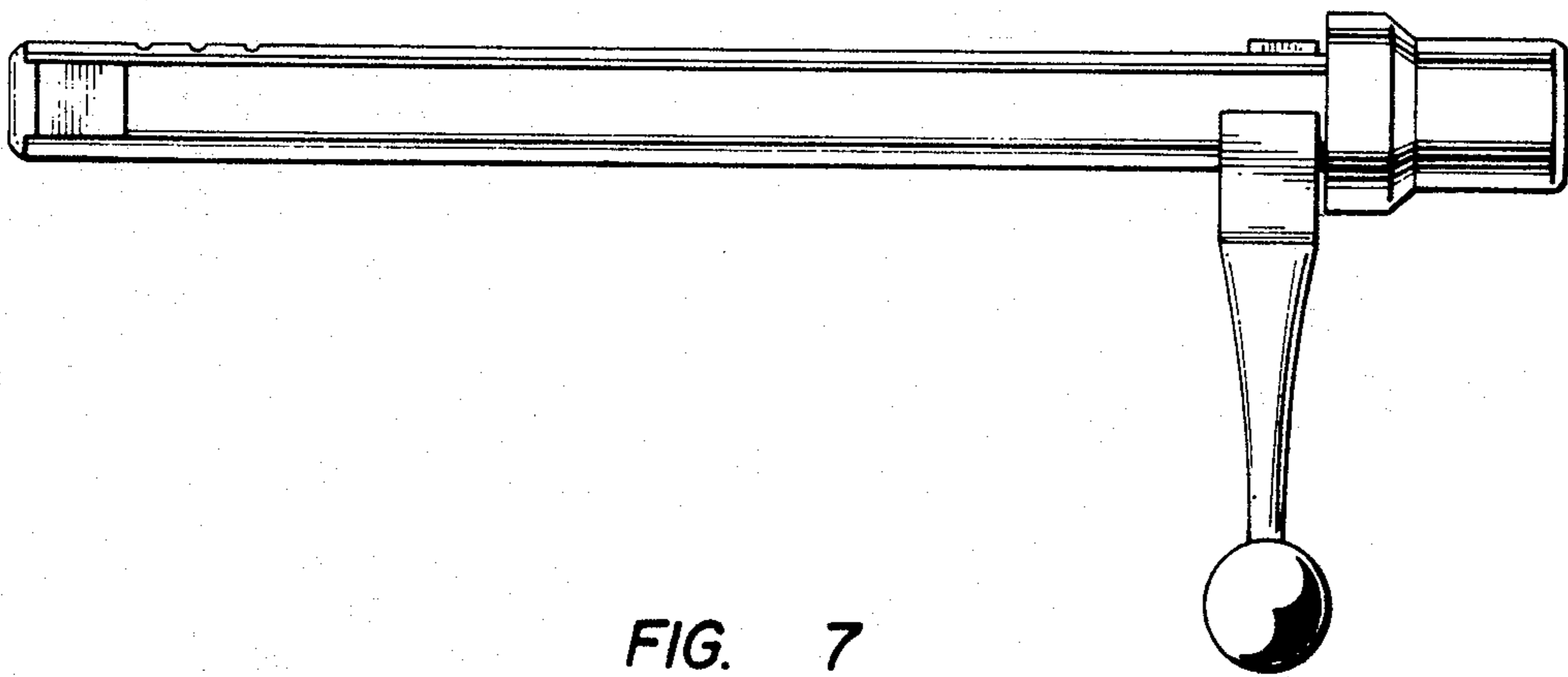


FIG. 7