

[54] GRAIN SORTER

[75] Inventor: Toshihiko Satake, Higashihiroshima, Japan

[73] Assignee: Satake Engineering Co., Ltd., Tokyo, Japan

[**] Term: 14 Years

[21] Appl. No.: 533,974

[22] Filed: Sep. 20, 1983

[30] Foreign Application Priority Data

Jun. 30, 1983 [JP] Japan 58-28576

[52] U.S. Cl. D15/10

[58] Field of Search D15/10, 28; 209/576, 209/577, 587

[56] References Cited

U.S. PATENT DOCUMENTS

4,186,836	2/1980	Wassmer et al.	209/587
4,271,966	6/1981	Crowley	209/576
4,385,700	5/1983	Hodges et al.	209/587
4,454,029	6/1984	Codding	209/587

Primary Examiner—B. J. Bullock
Assistant Examiner—Suzanne N. Gitlin
Attorney, Agent, or Firm—Birch, Stewart, Kolasch & Birch

[57] CLAIM

The ornamental design for a grain sorter, as shown.

DESCRIPTION

FIG. 1 is a top, front and right side perspective view of a grain sorter showing my new design, FIG. 2 is a left side elevational view thereof, FIG. 3 is a front elevational view thereof, FIG. 4 is a rear elevational view thereof, FIG. 5 is a top plan view thereof, and FIG. 6 is a bottom plan view thereof.

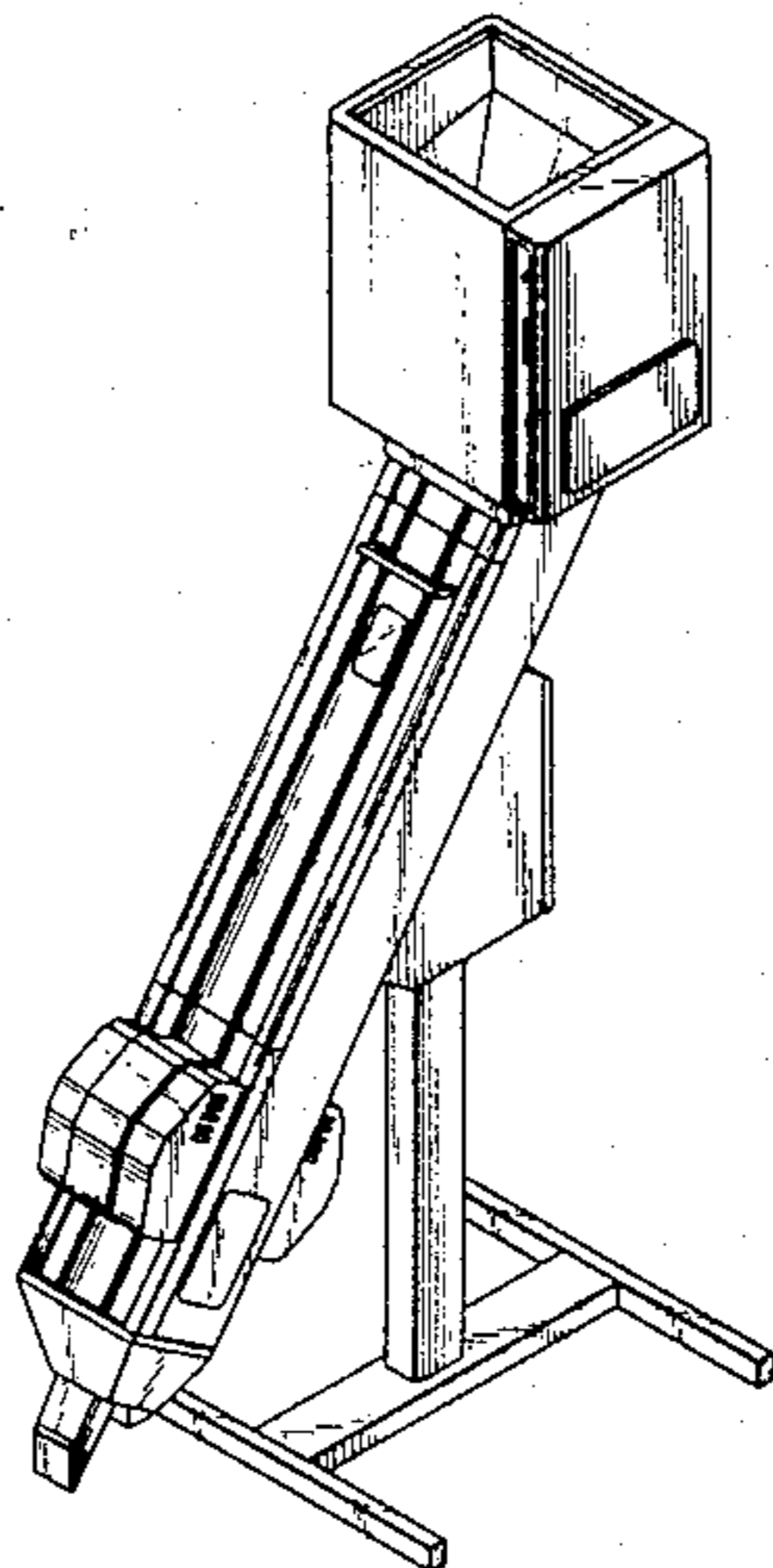


FIG. 1

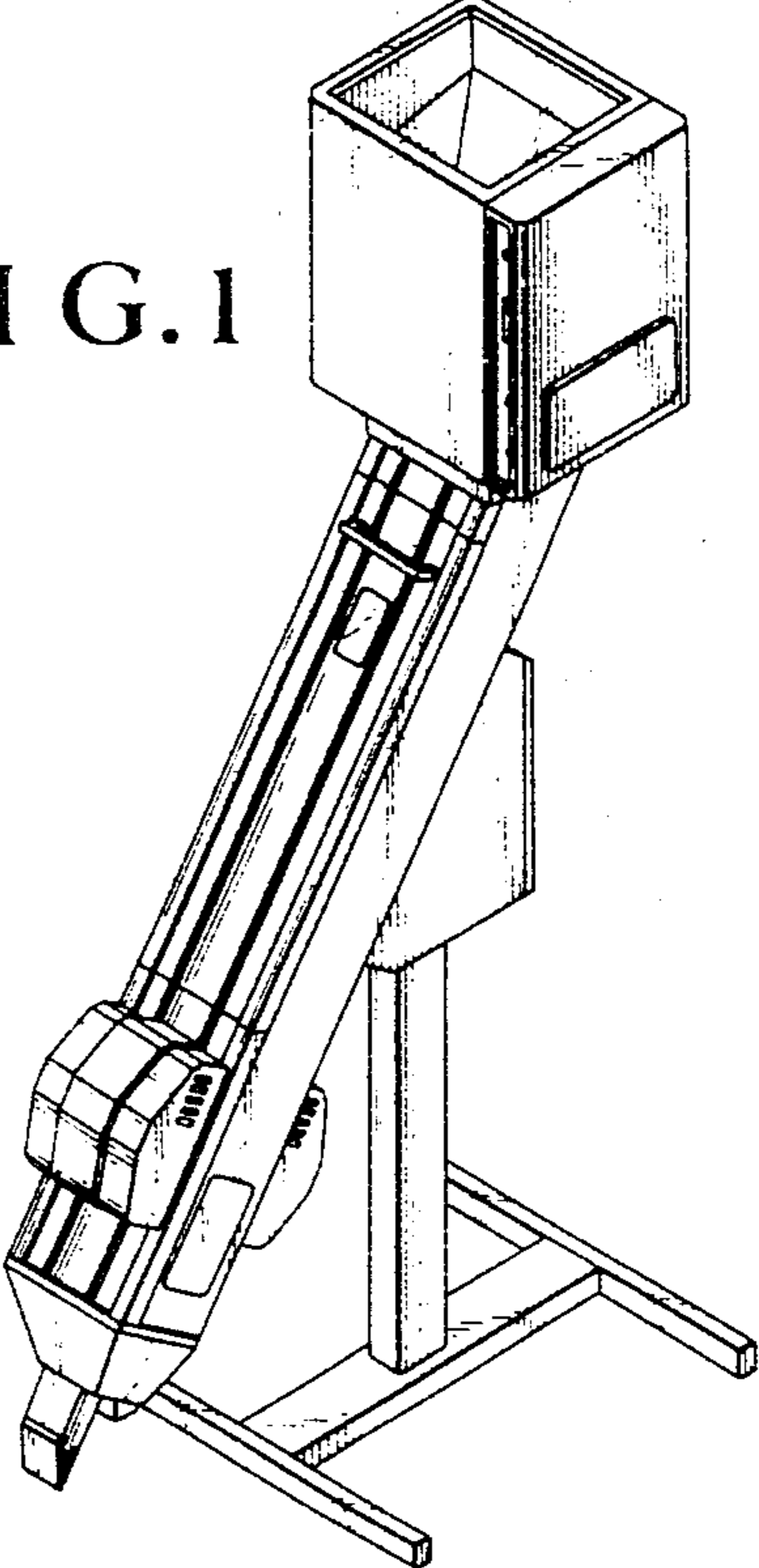


FIG. 2

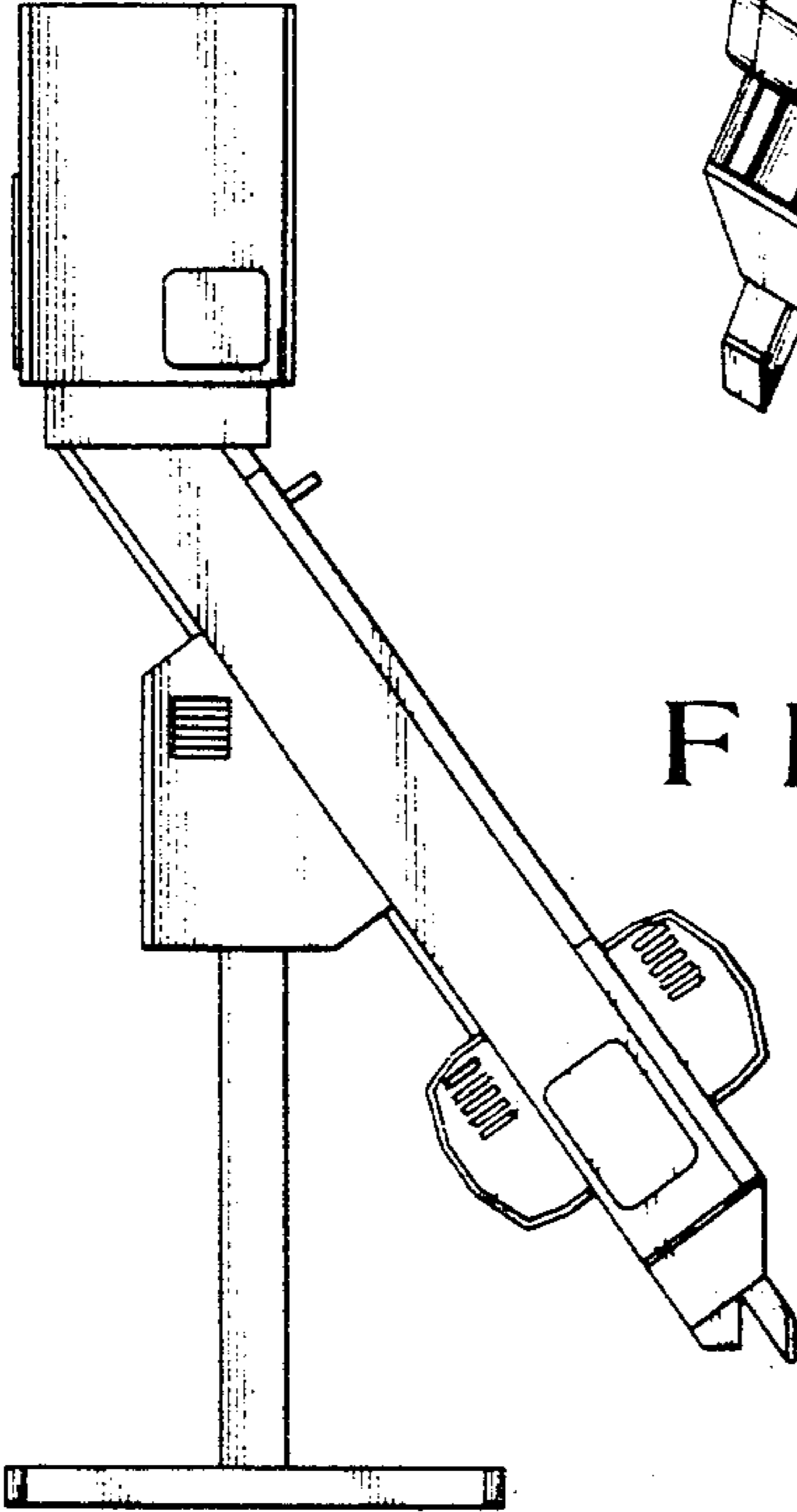


FIG.3

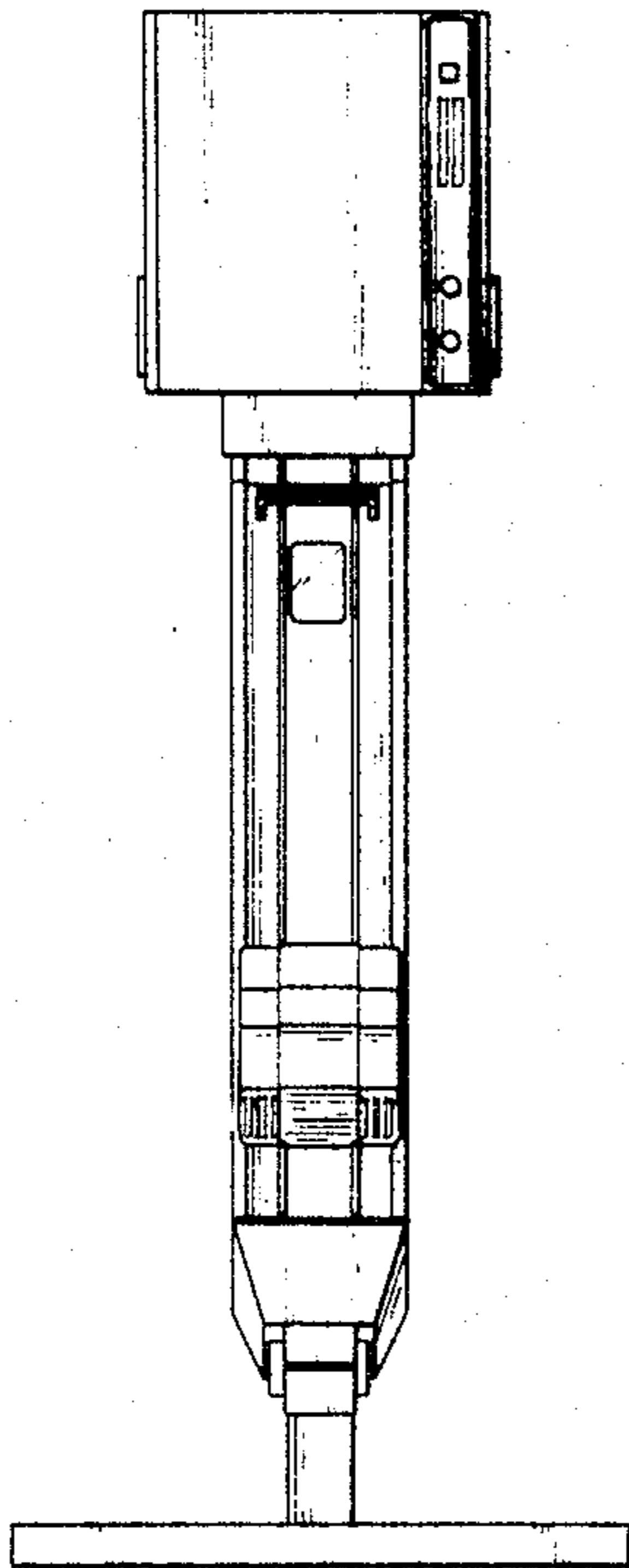


FIG.4

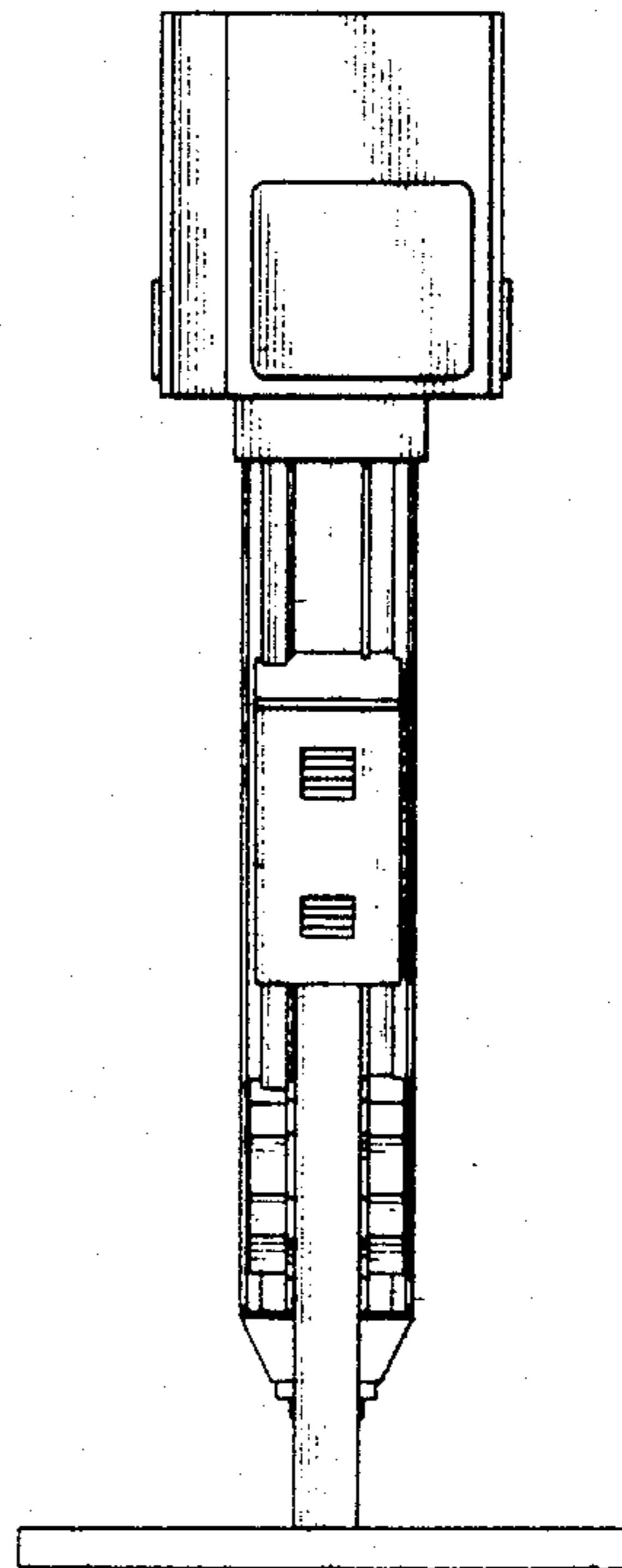


FIG.5

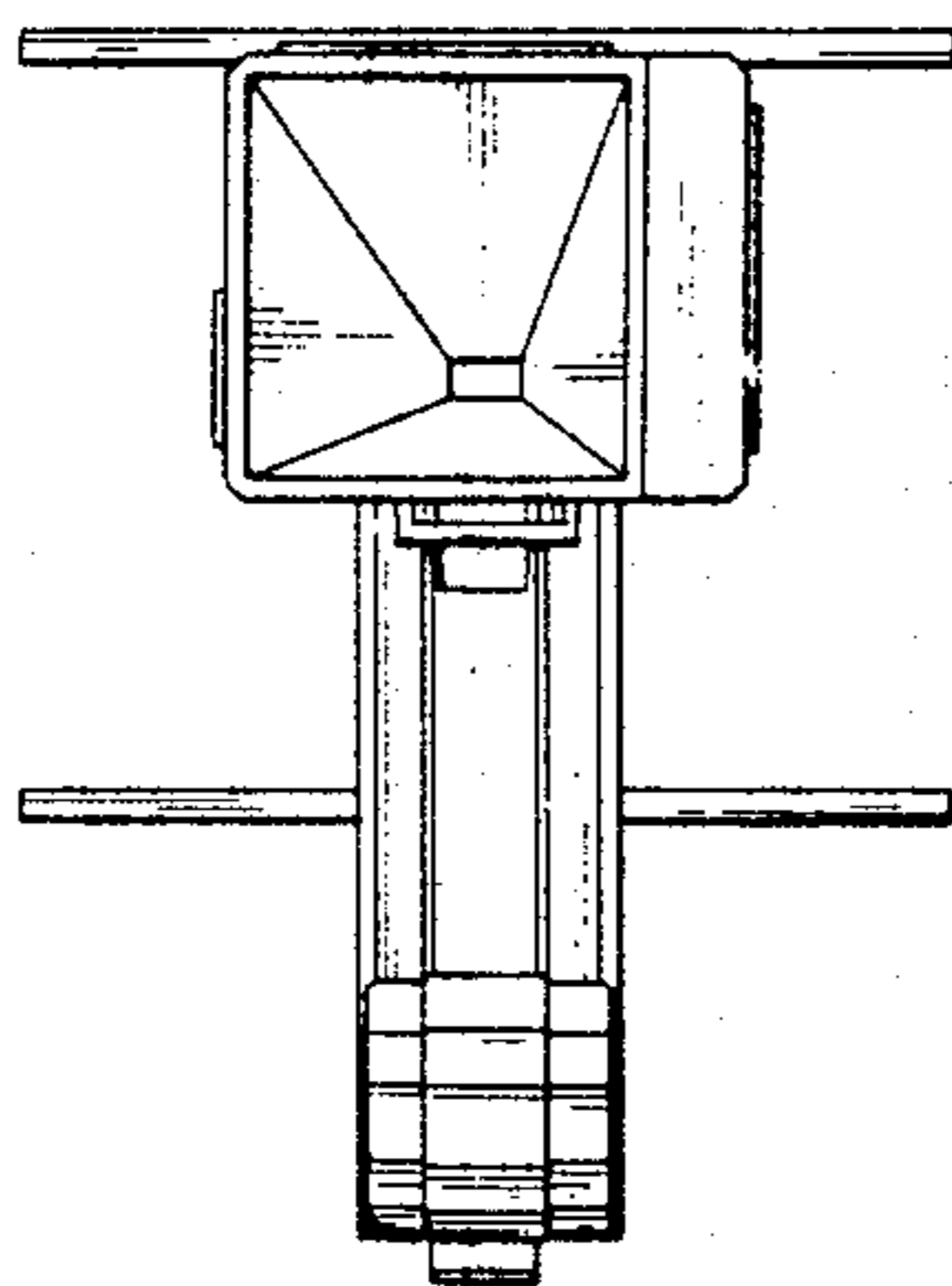


FIG.6

