

[54] HOUSING FOR A TELEPHONE HANDSET

[75] Inventors: Michael Brown, Nepean; Clifford D. Read, Almonte; Warren K. Ellis, Constance Bay, all of Canada

[73] Assignee: Northern Telecom Limited, Montreal, Canada

[**] Term: 14 Years

[21] Appl. No.: 466,419

[22] Filed: Feb. 15, 1983

[52] U.S. Cl. D14/63; D14/64; D14/56

[58] Field of Search D14/52, 53, 63, 56, D14/64, 58-59; 179/100 D, 100 C, 101, 102, 103, 179, 100 R

[56] References Cited

U.S. PATENT DOCUMENTS

- D. 242,928 1/1977 Buchin et al. D14/63
- D. 258,283 2/1981 Stoddard D14/53
- D. 268,411 3/1983 Banko D14/63
- D. 269,612 7/1983 Foggia D14/53

- D. 269,874 7/1983 Huntington D14/53
- D. 270,155 8/1983 Shimizu D14/56
- D. 275,005 8/1984 Genaro et al. D14/63
- D. 275,568 9/1984 Marshall D14/63
- 4,354,063 10/1982 Kuka D14/63

OTHER PUBLICATIONS

Machine—Magazine—Spring 1982, p. 13; Handset for SAM Answering Phone Moline—"Phone-Mate".

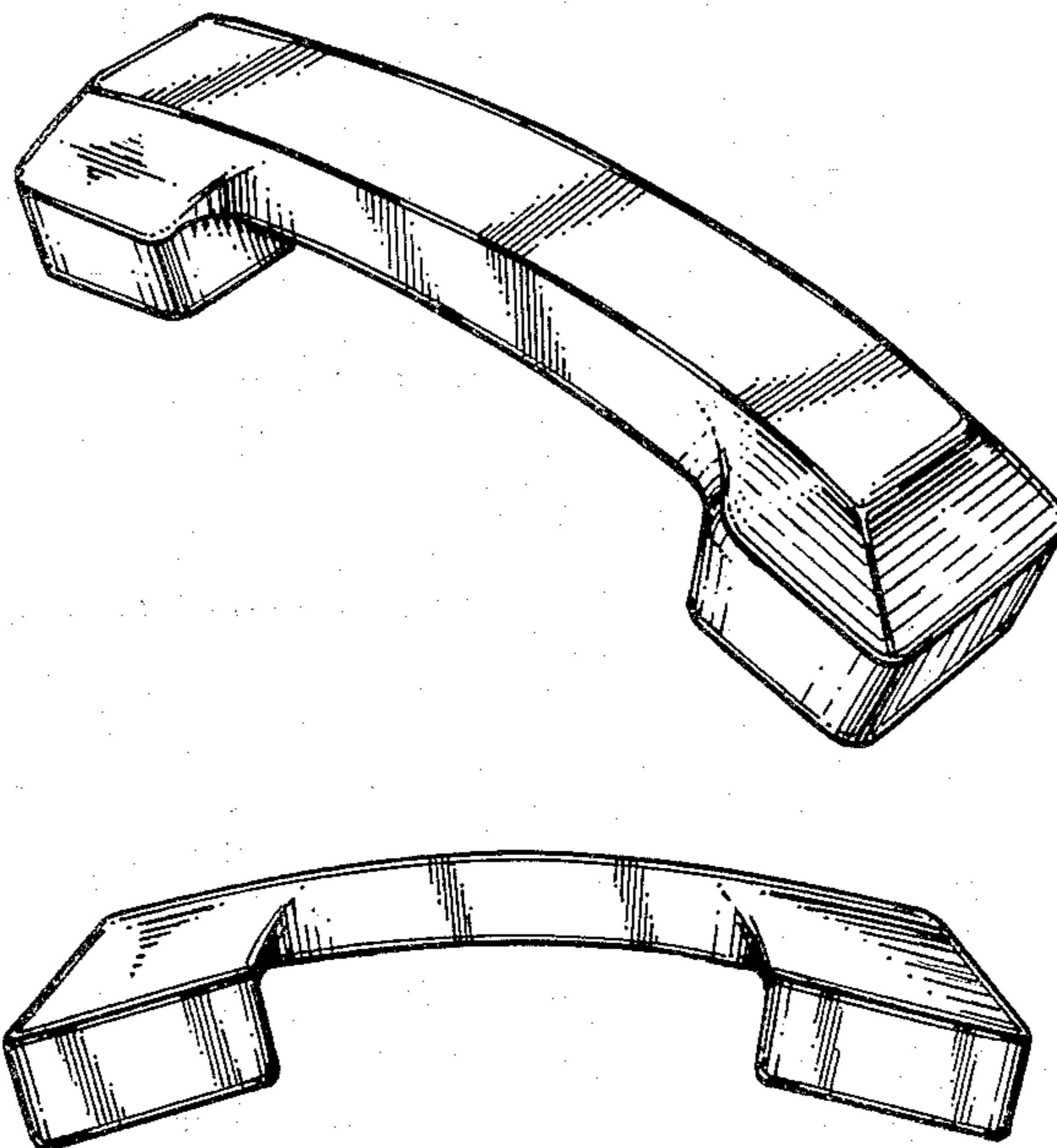
Primary Examiner—James R. Largen
Assistant Examiner—Horace B. Fay
Attorney, Agent, or Firm—Sidney T. Jelly

[57] CLAIM

The ornamental design for a housing for a telephone handset, substantially as shown and described.

DESCRIPTION

FIG. 1 is a side and top perspective view from-above of a housing for a telephone handset showing our new design; FIG. 2 is an elevational view of one side thereof, the view from the other side being a mirror image; and FIG. 3 is a bottom plan view thereof.



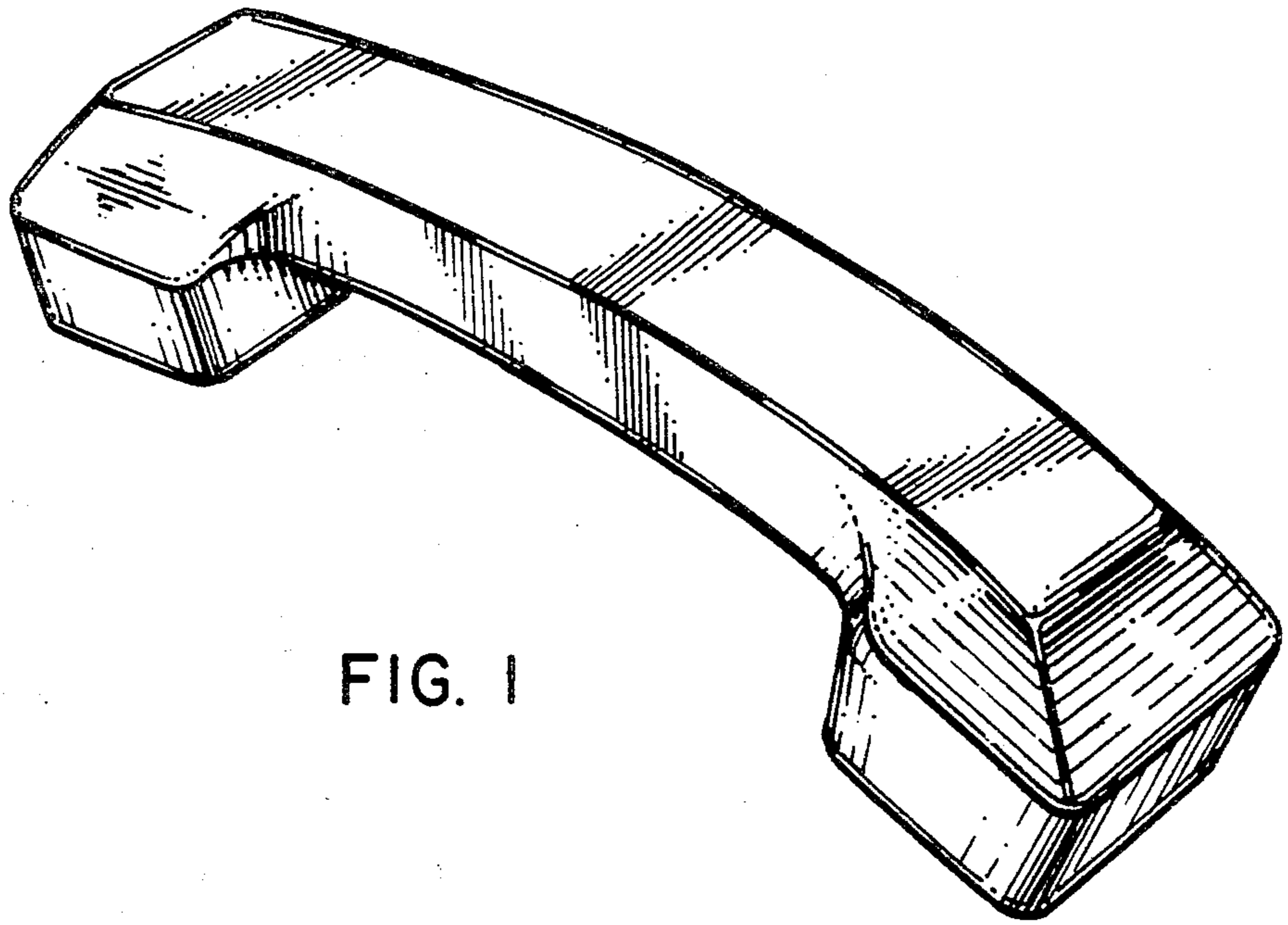


FIG. 1

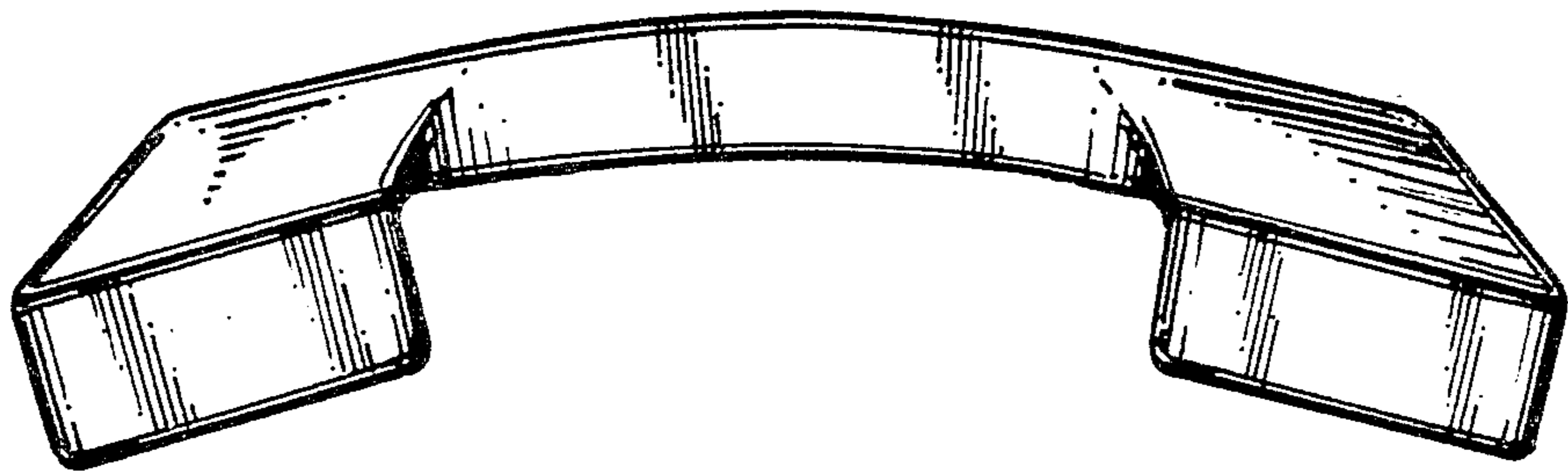


FIG. 2

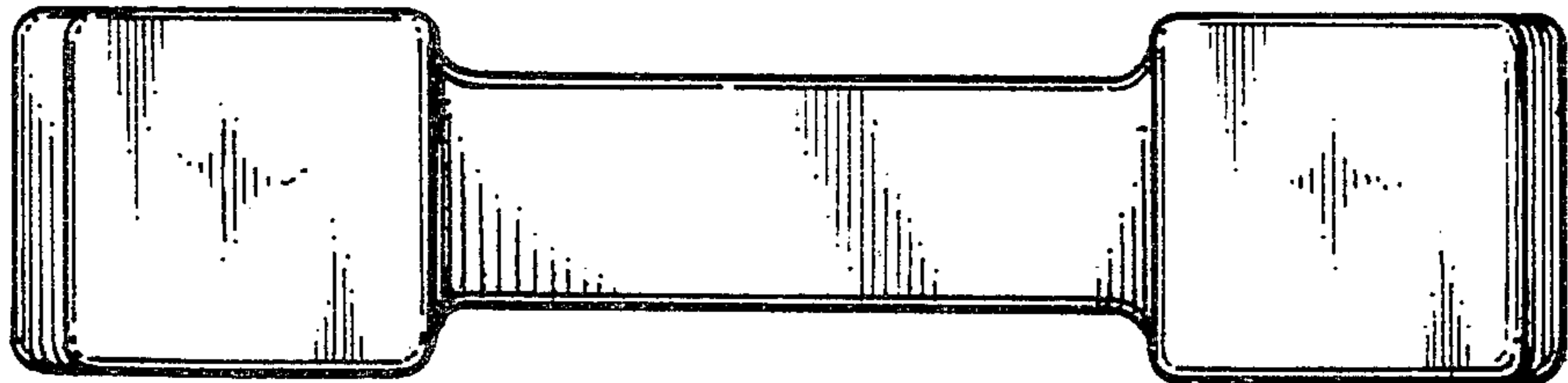


FIG. 3