

[54] MICROFILM CARTRIDGE OR SIMILAR ARTICLE

3,831,731 8/1974 Mack et al. D14/11
4,320,422 3/1982 Rinkleib 360/132 X

[75] Inventor: Peter L. Gell, Redfern, Australia

Primary Examiner—Jane E. Corrigan
Attorney, Agent, or Firm—Hopgood, Calimafde, Kalil,
Blaustein & Judlowe

[73] Assignee: Plastex Technology (Curacao) N.V.,
Curacao, Netherlands Antilles

[**] Term: 14 Years

[57] CLAIM

[21] Appl. No.: 537,577

The ornamental design for a microfilm cartridge or similar article, as shown.

[22] Filed: Sep. 30, 1983

DESCRIPTION

[52] U.S. Cl. D14/11

FIG. 1 is a front, top and right side perspective view of a microfilm cartridge or similar article showing my new design;

[58] Field of Search D14/11; 360/132;
206/387; 242/55.19 A, 71.008

FIG. 2 is a left side elevational view;

FIG. 3 is a front elevational view;

FIG. 4 is a right side elevational view;

FIG. 5 is a rear elevational view;

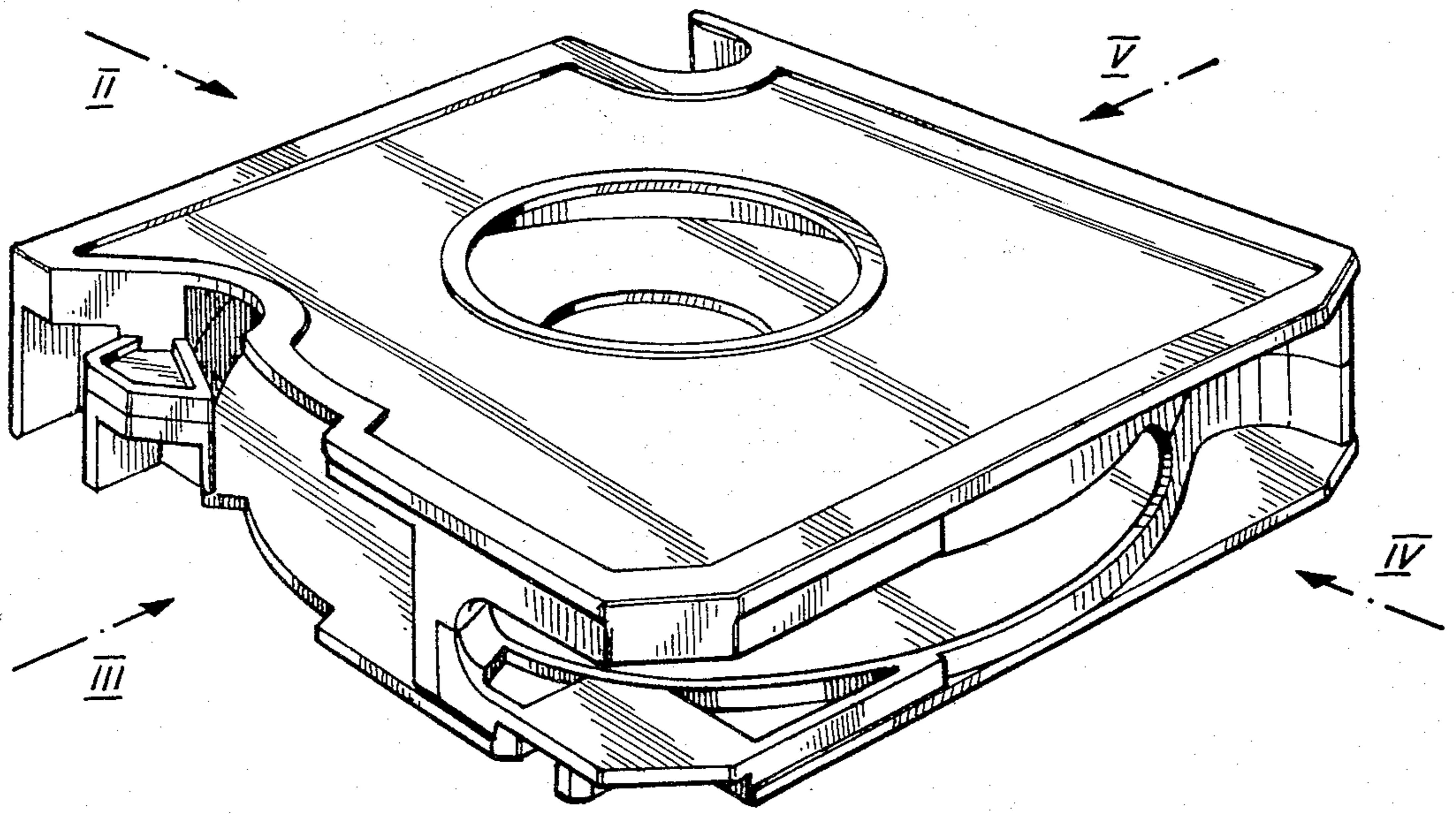
FIG. 6 is a top plan view; and

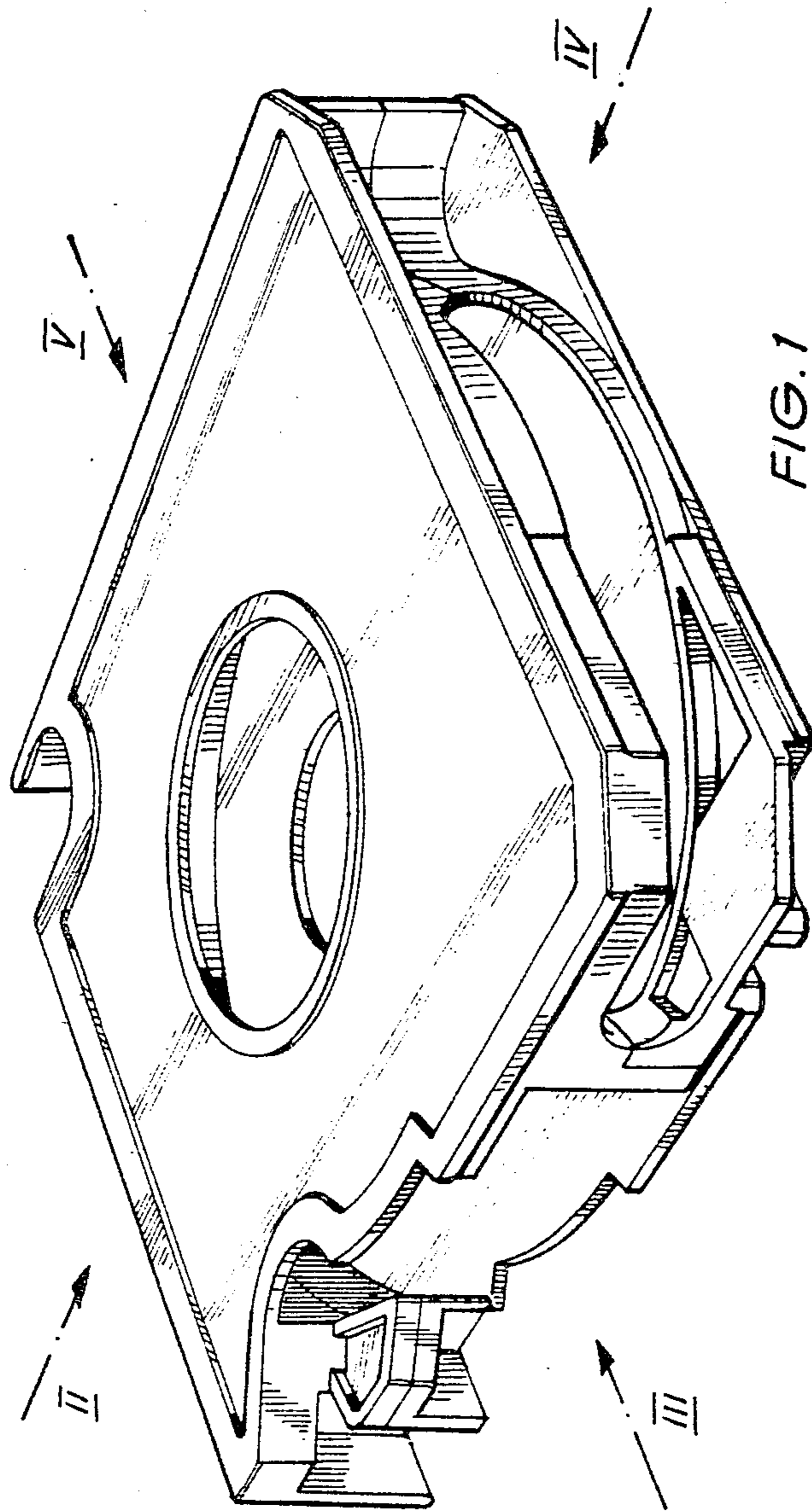
FIG. 7 is a bottom plan view.

[56] References Cited

U.S. PATENT DOCUMENTS

- D. 197,892 4/1964 Pastor D14/11
- D. 260,514 9/1981 Gell D14/11
- 3,764,084 10/1973 Tsukagoshi 242/55.19 A





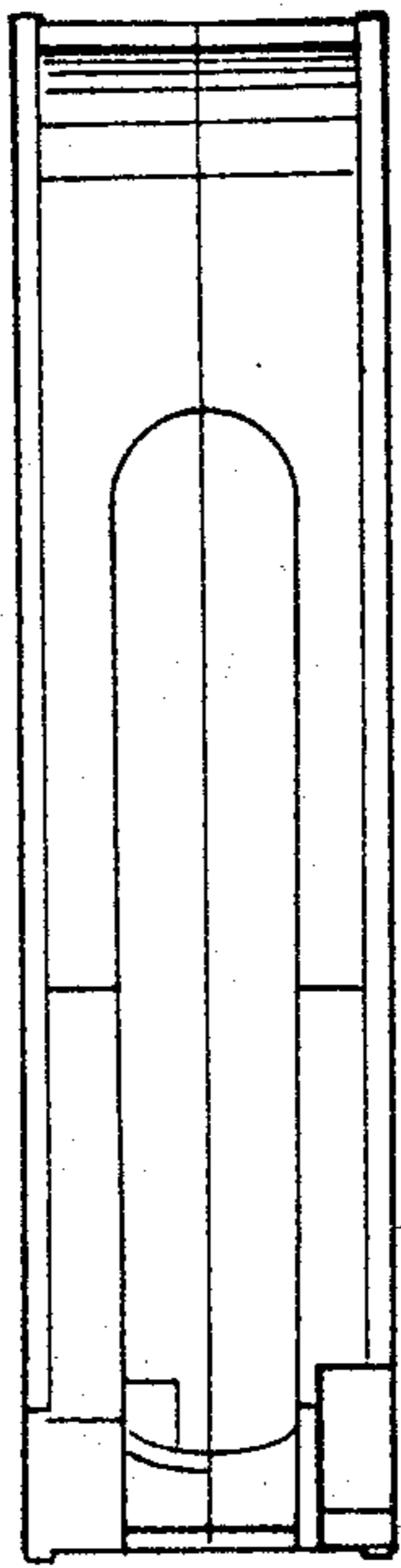


FIG. 4

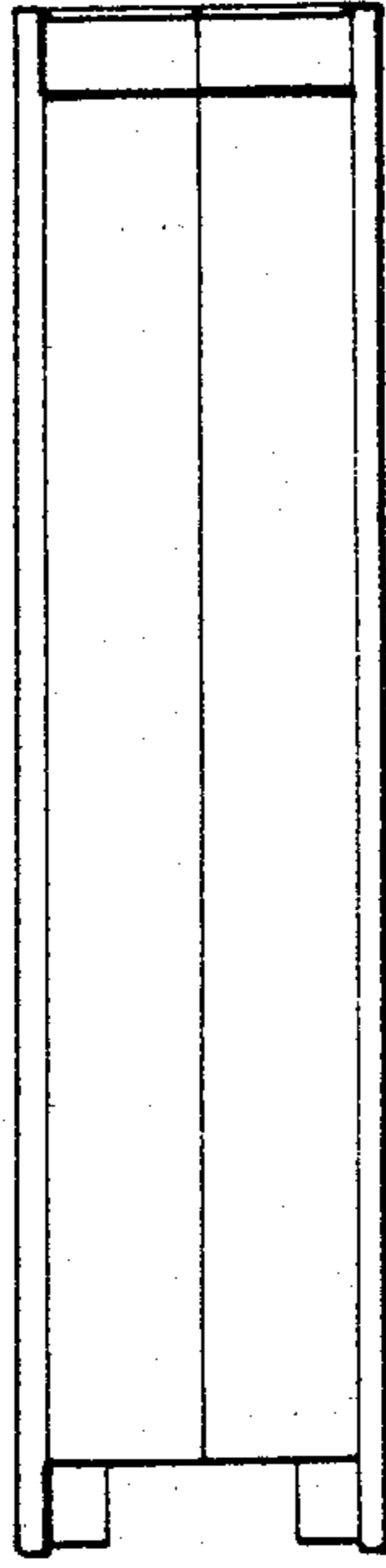


FIG. 5

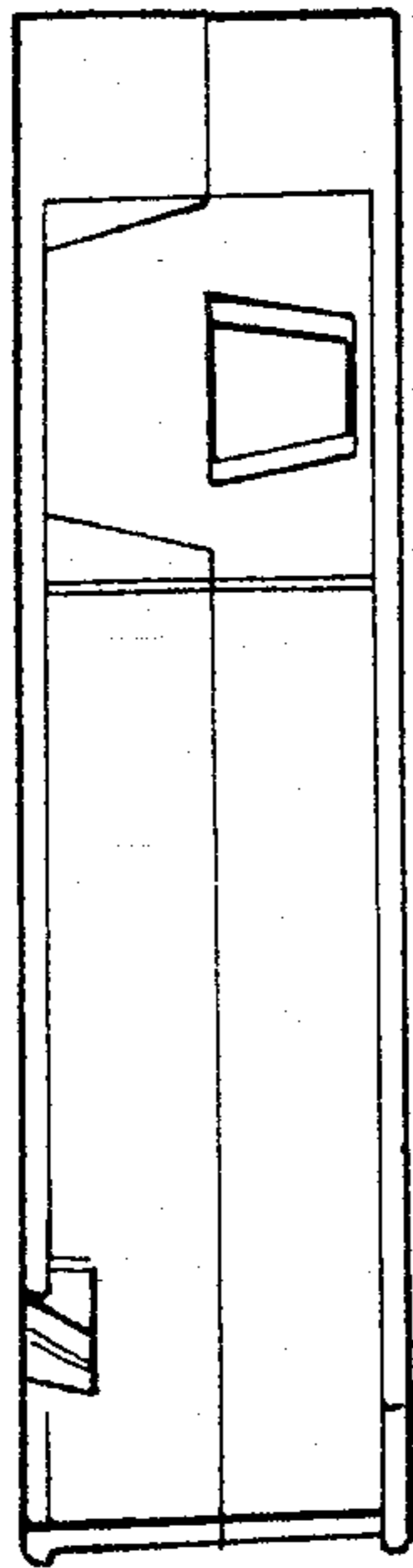


FIG. 2

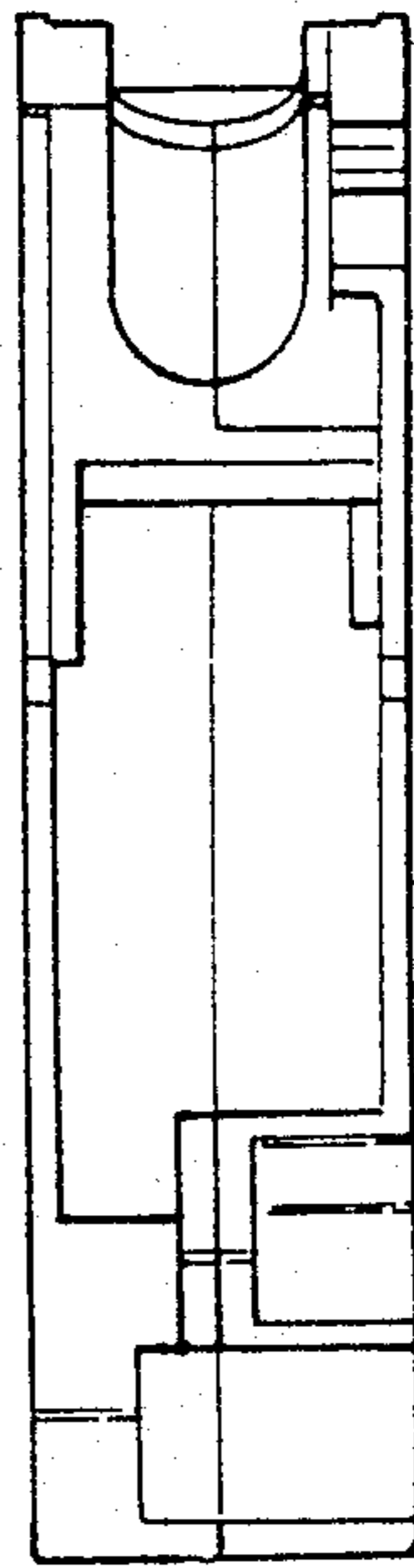


FIG. 3

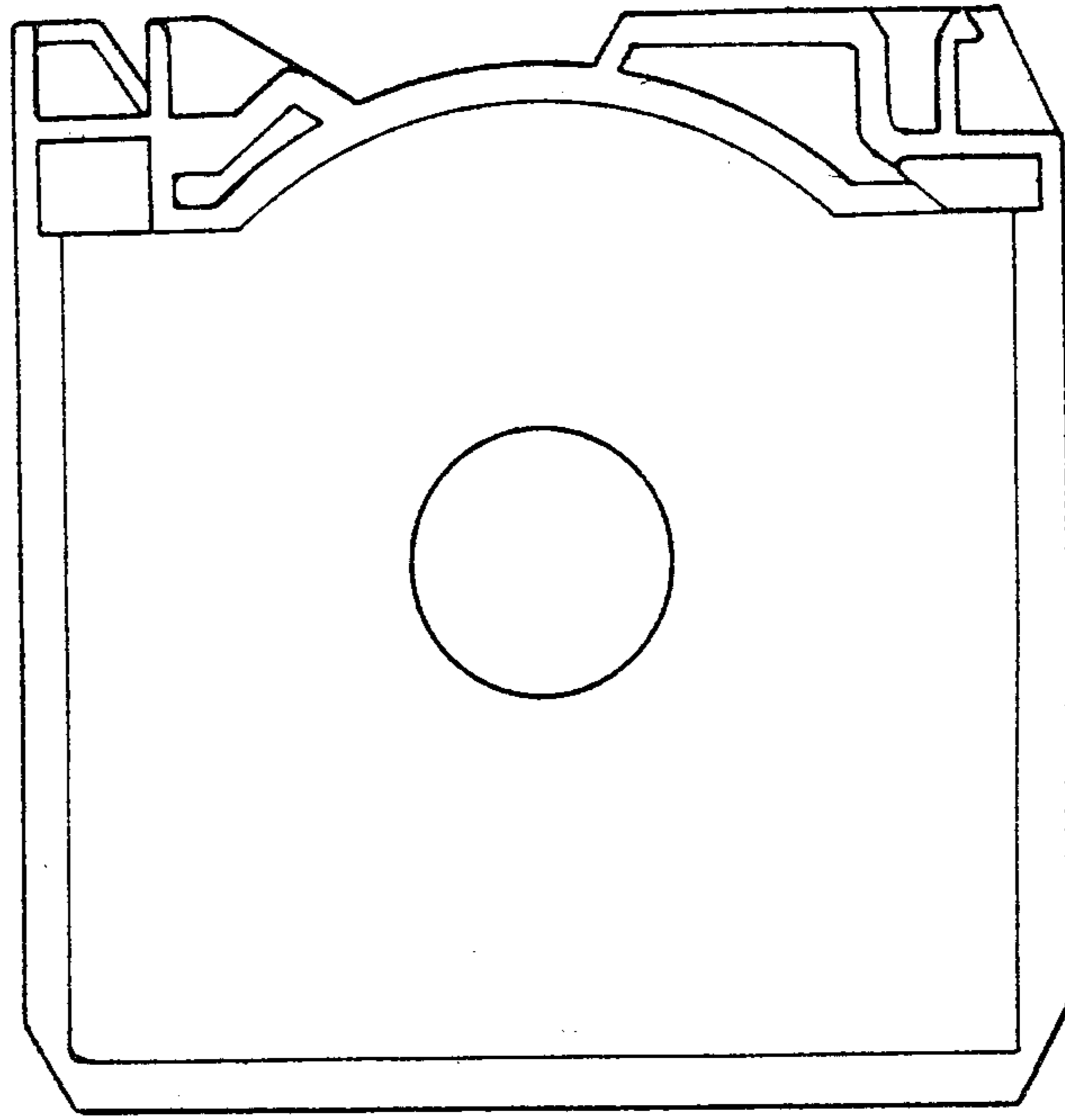


FIG. 7

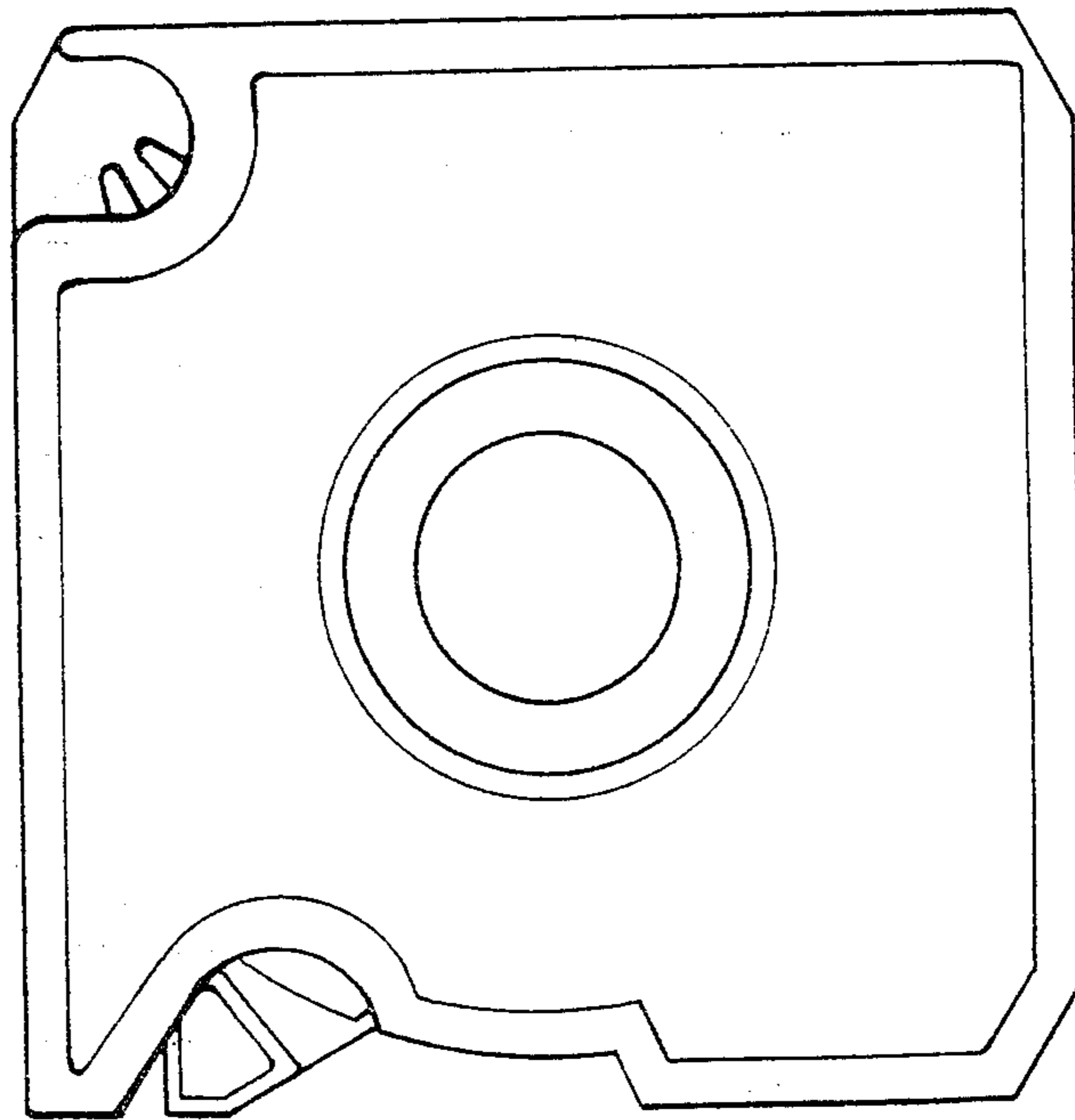


FIG. 6