

[54] TELEPHONE ANSWERING UNIT OR SIMILAR ARTICLE

[75] Inventor: Frederic W. Schwartz, Providence, R.I.

[73] Assignee: Cable Electronic Products, Inc., Providence, R.I.

[**] Term: 14 Years

[21] Appl. No.: 543,814

[22] Filed: Oct. 25, 1983

[52] U.S. Cl. D14/4; D14/52; D14/60; D14/57; 179/100 R; 179/155; D8/358

[58] Field of Search D14/52; 59, 4; D8/358, D8/359; D13/30, 12; 339/5 RL, 119 C; 242/96, 107; 191/12.2, 12.4; 179/155, 95, 100 L, 100 R

[56] References Cited

U.S. PATENT DOCUMENTS

| | | | | |
|------------|---------|----------|-------|---------|
| D. 260,985 | 9/1981 | Moylan | | D13/30 |
| D. 275,001 | 8/1984 | Schwartz | | D8/359 |
| D. 275,002 | 8/1984 | Schwartz | | D8/359 |
| D. 275,003 | 8/1984 | Schwartz | | D8/359 |
| 2,678,779 | 5/1954 | Belliver | | 242/107 |
| 3,584,157 | 7/1968 | Prescott | | 179/155 |
| 4,061,290 | 12/1977 | Harrill | | 242/96 |

| | | | | |
|-----------|--------|----------|-------|----------|
| 4,244,536 | 1/1981 | Harrill | | 242/96 |
| 4,338,497 | 7/1982 | Drew | | 191/12.4 |
| 4,466,581 | 8/1984 | Hill | | 242/96 |
| 4,520,239 | 5/1985 | Schwartz | | 191/12.4 |

OTHER PUBLICATIONS

Popular Mechanics, Apr. 1983: p. 44, Col. 1 p. 44, "Cord Keeper" Unit.

Hong Kong Enterprise, vol. 12, 1980 p. 107: View of Plug-in Extension Reel, Multiple Socket

B. A. Pargh Co. Catalog ©1983: p. 47-Item 309510: Extension Cord with Reel Container.

Primary Examiner—Wallace R. Burke

Assistant Examiner—Horace B. Fay

Attorney, Agent, or Firm—Paul J. Sutton

[57] CLAIM

The ornamental design for a telephone answering unit or similar article, as shown and described.

DESCRIPTION

FIG. 1 is an upper right front perspective view of a telephone answering unit or similar article showing my new design;

FIG. 2 is a front elevational view thereof;

FIG. 3 is a left side elevational view thereof;

FIG. 4 is a top plan view thereof;

FIG. 5 is a rear elevational view thereof; and

FIG. 6 is a bottom plan view thereof.

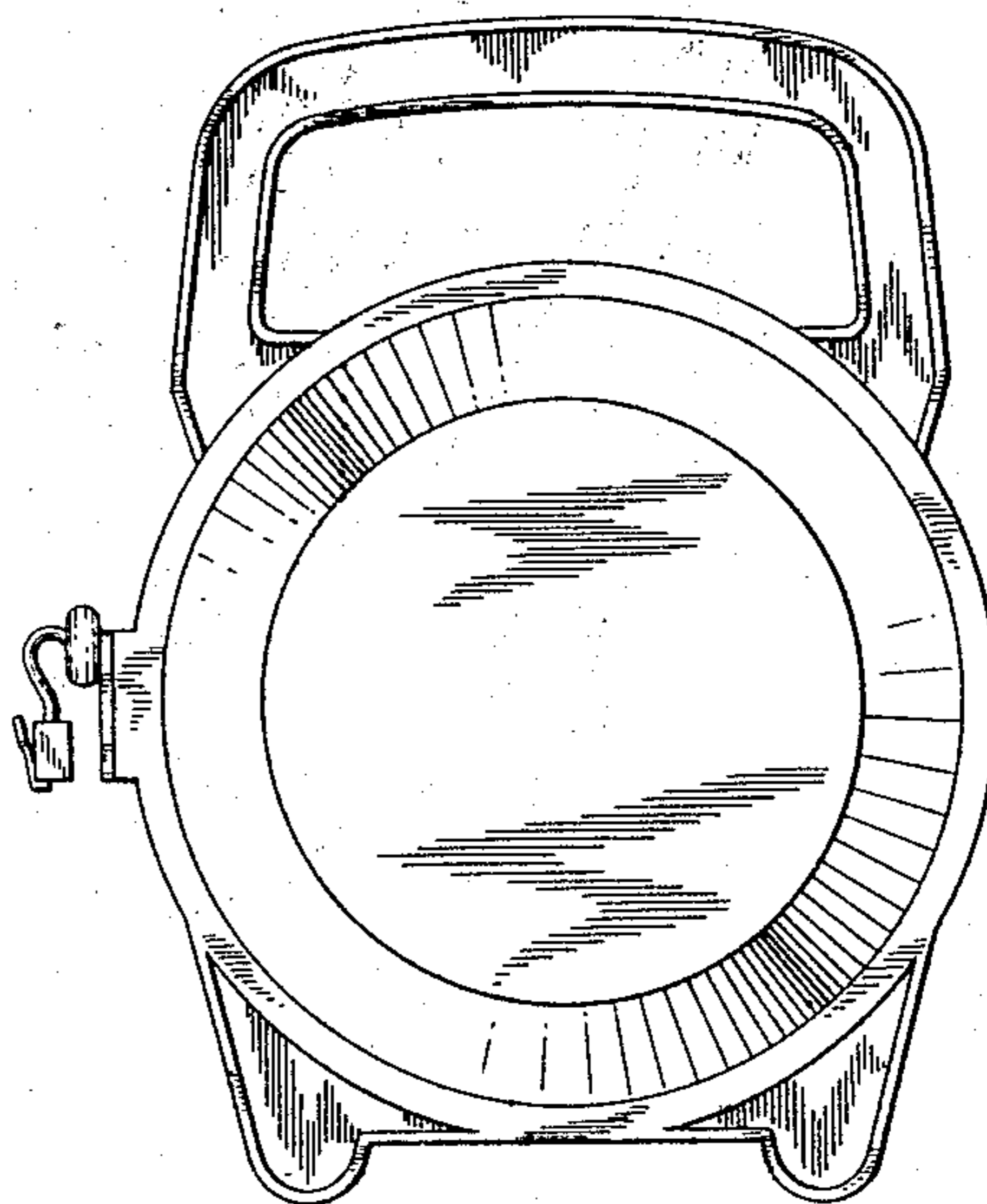
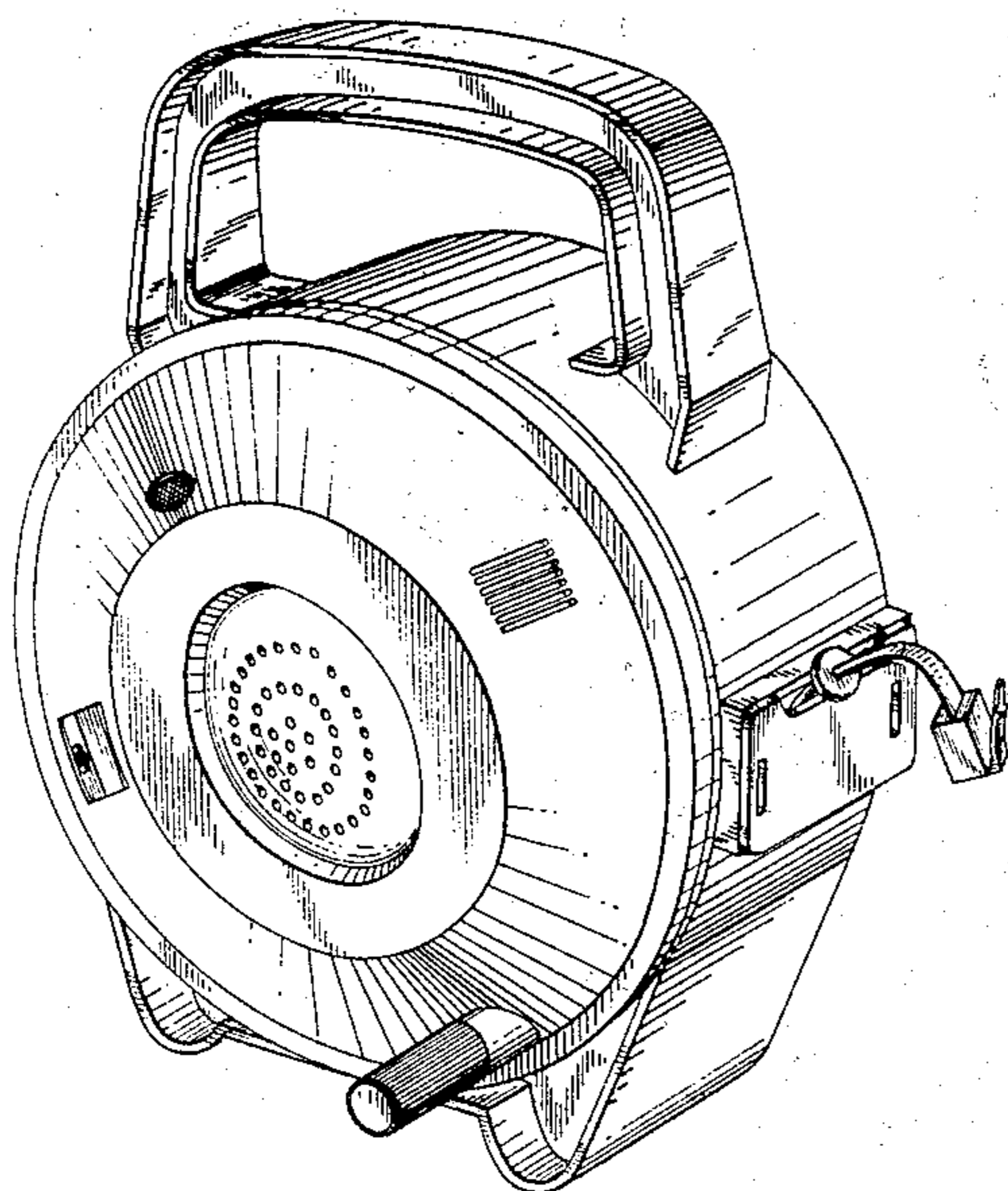


FIG. 1

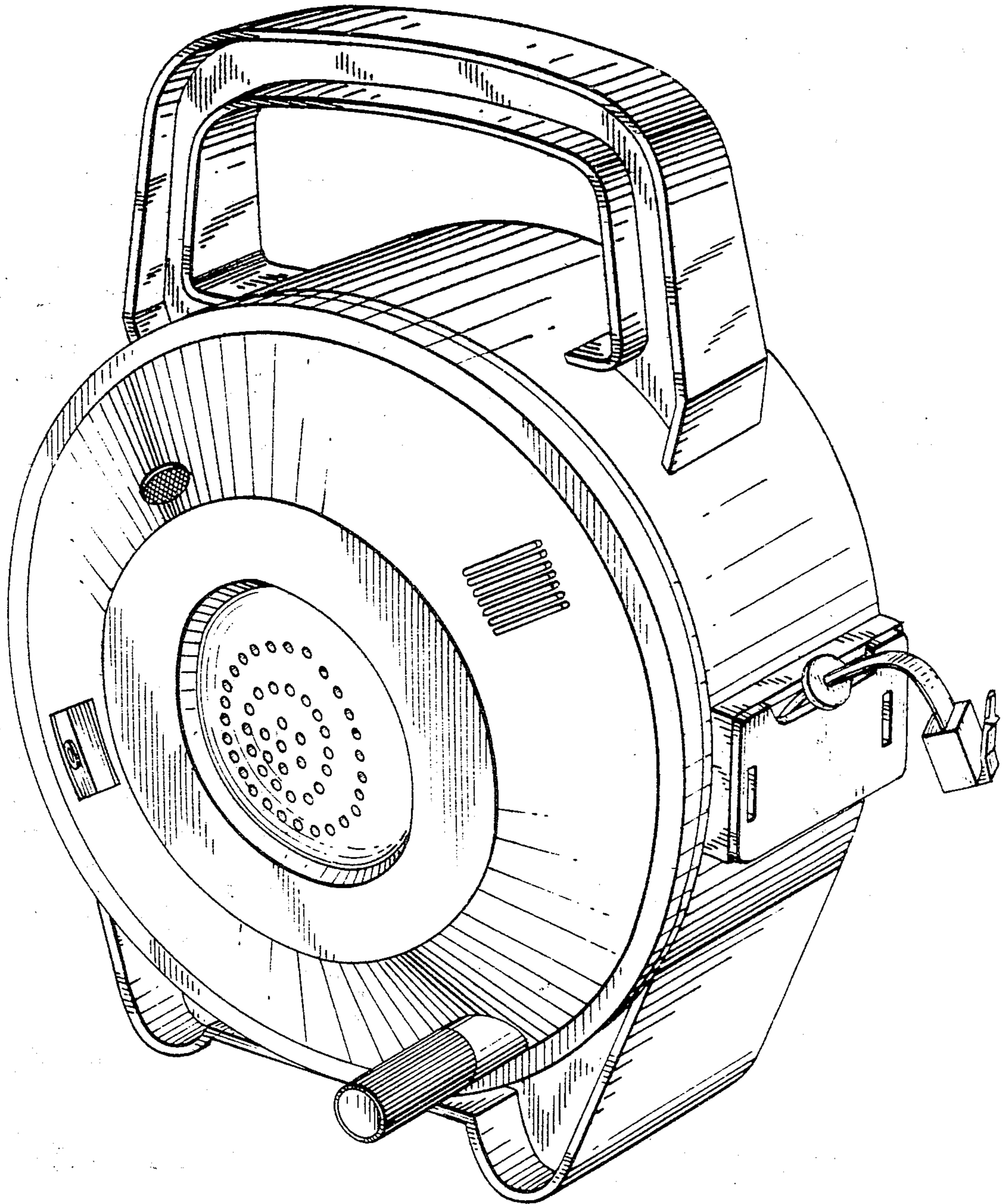


FIG. 3

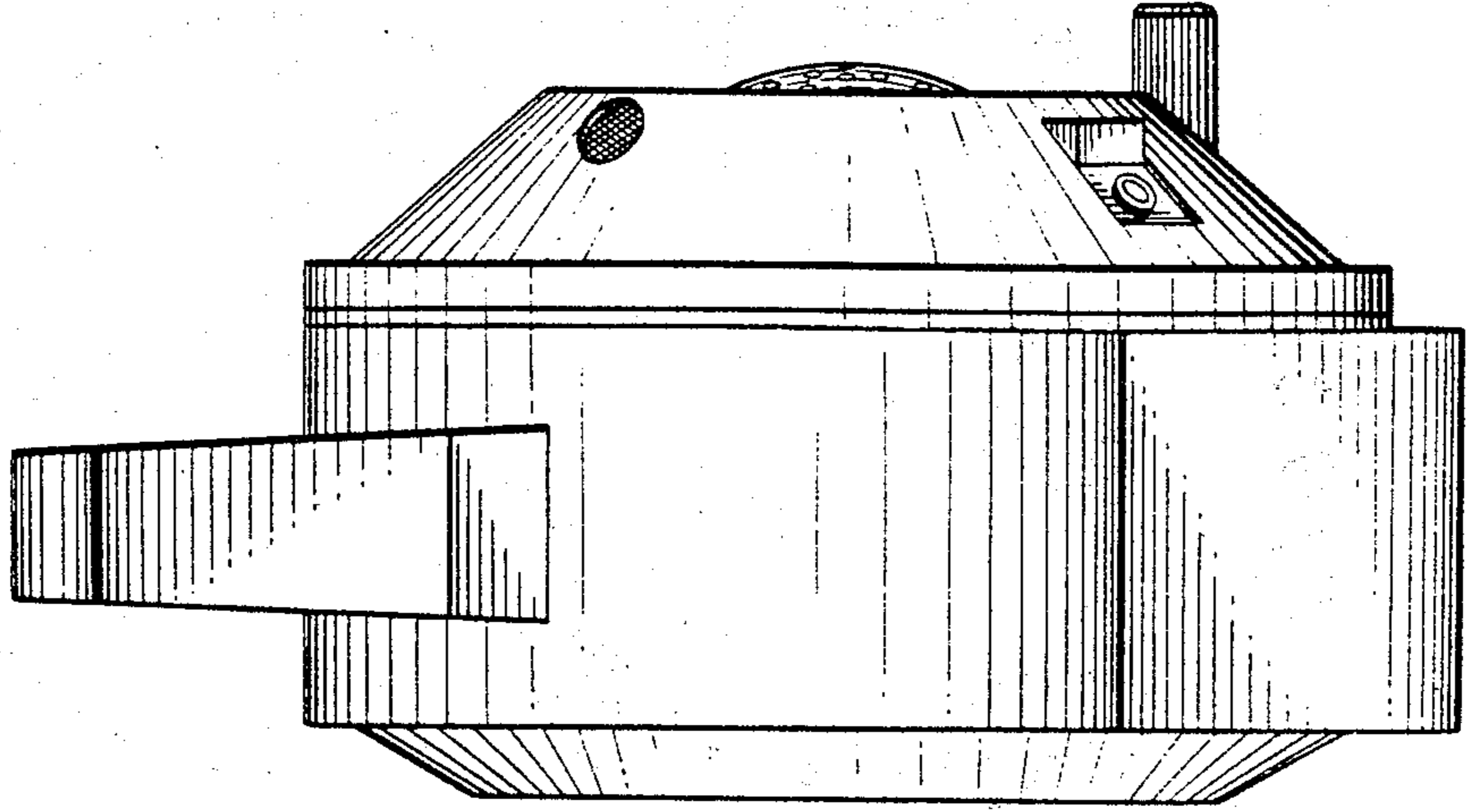


FIG. 2

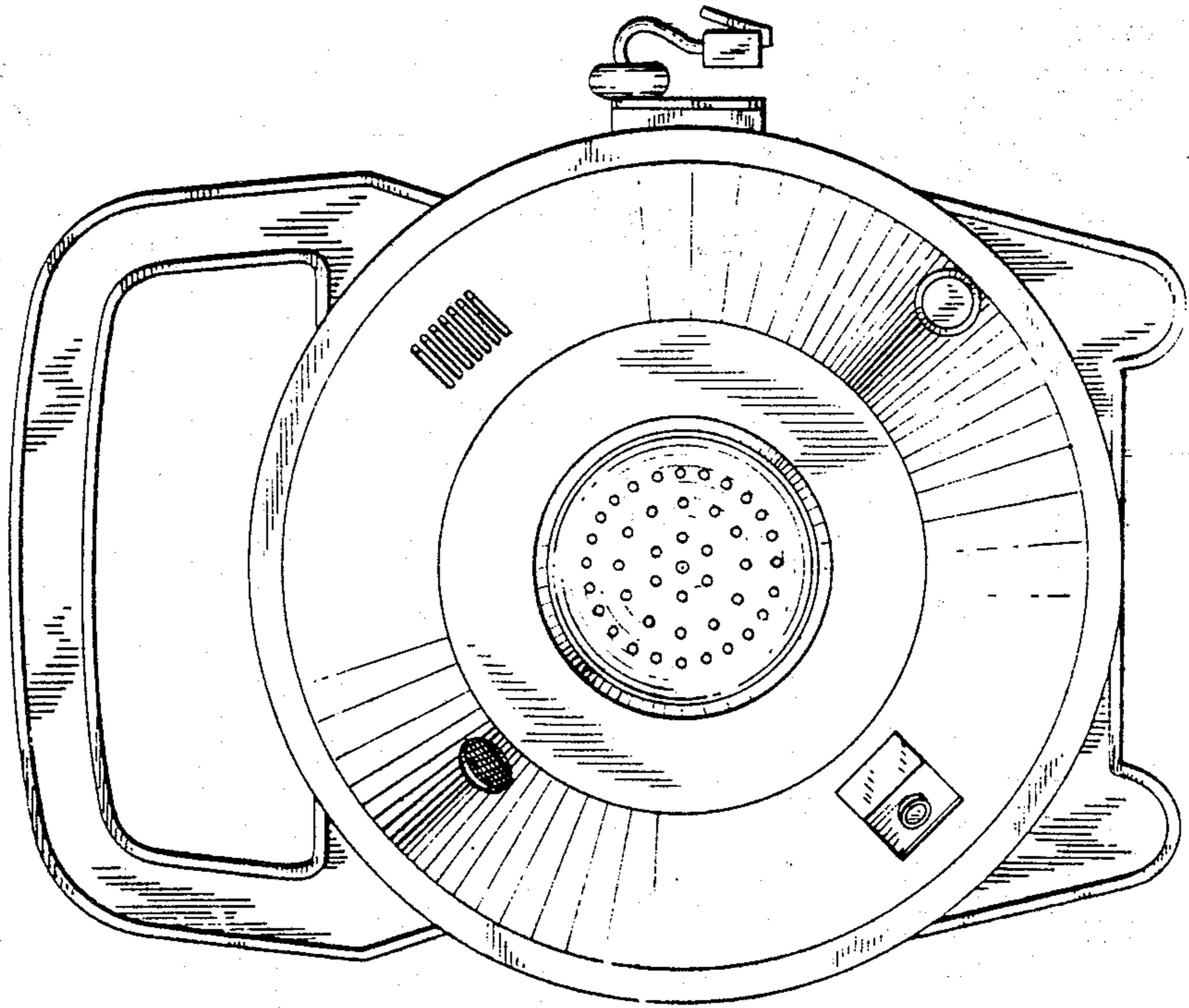


FIG. 4

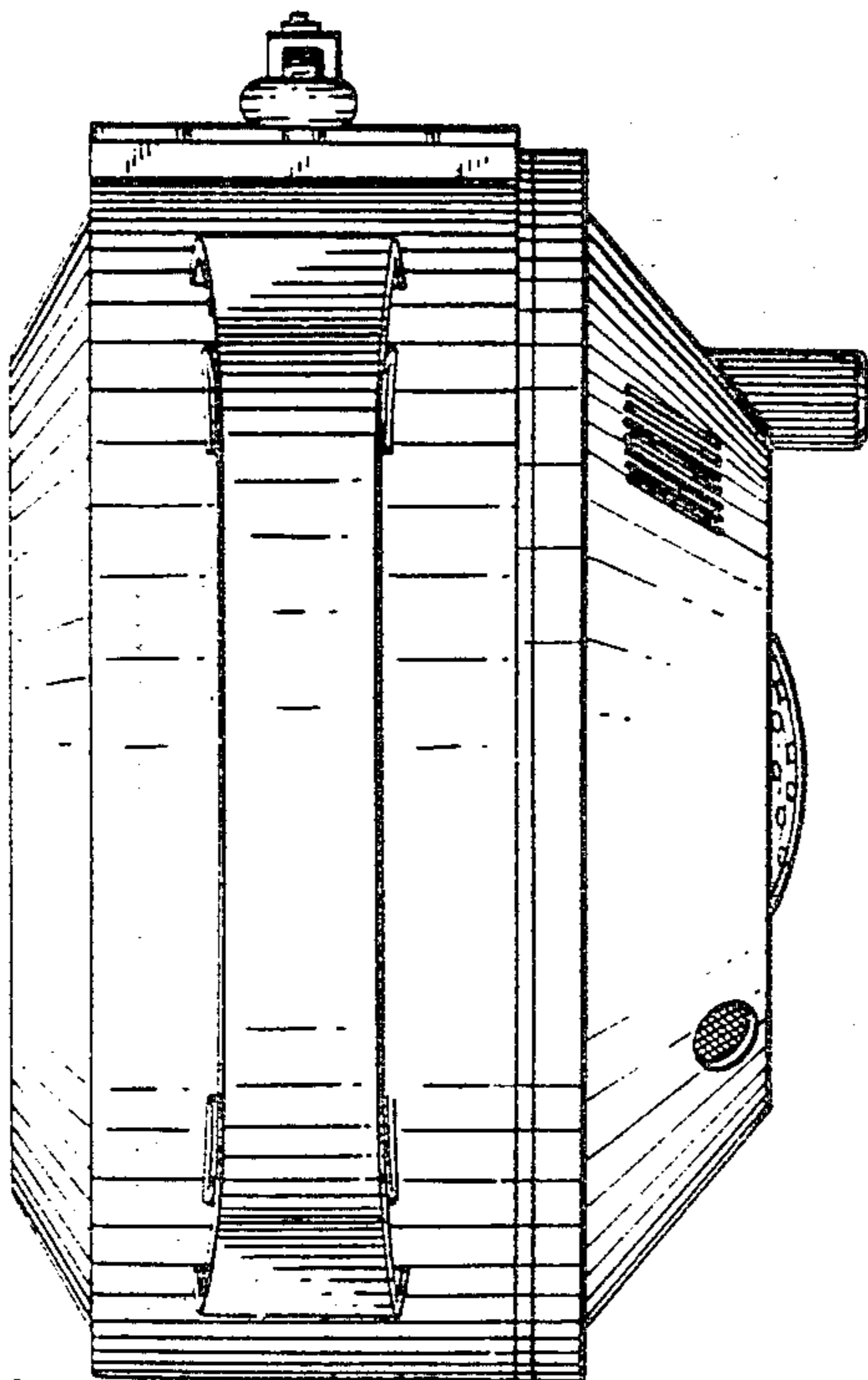


FIG. 5

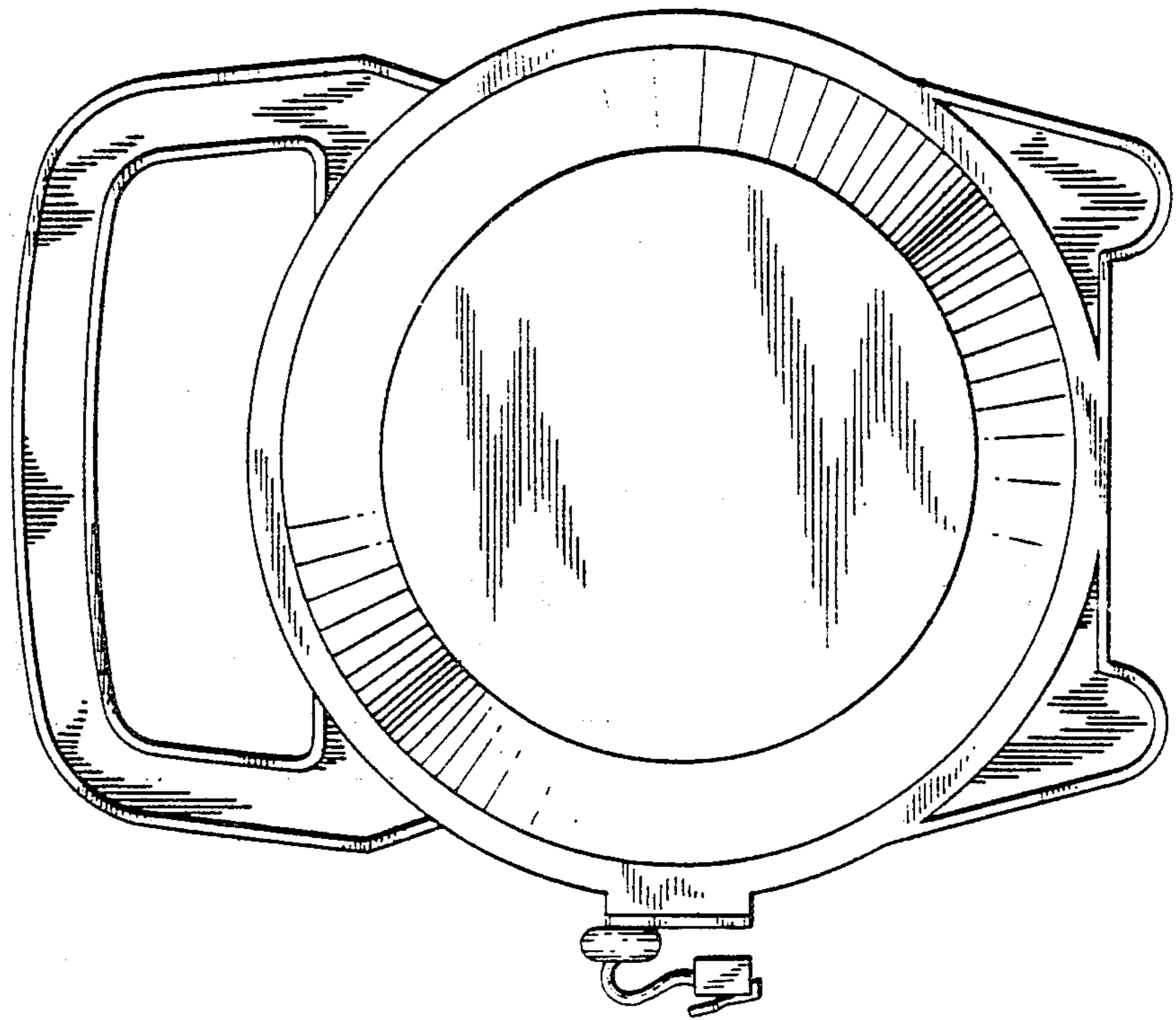


FIG. 6

