

[54] HORIZONTAL GEL SLAB ELECTROPHORESIS UNIT

[75] Inventors: Peter S. Hoefler; Eric Coates, both of San Francisco, Calif.

[73] Assignee: Hoefler Scientific Instruments, San Francisco, Calif.

[**] Term: 14 Years

[21] Appl. No.: 511,914

[22] Filed: Jul. 8, 1983

[52] U.S. Cl. D10/81; D24/8

[58] Field of Search 204/180 G; 180 S, 299 R; D24/8, 21, 23, 29, 31, 99; D10/46, 84, 75, 81

[56] References Cited

U.S. PATENT DOCUMENTS

- D. 266,150 9/1982 Borsos D24/8 X
- 3,829,375 8/1974 Cawley 204/299 R

- 3,902,987 9/1975 Cawley 204/299 R
- 3,930,973 1/1976 Nerenberg 204/180 S
- 4,194,963 3/1980 Denckla 204/299 R

FOREIGN PATENT DOCUMENTS

- 666216 10/1965 Belgium D24/8 X

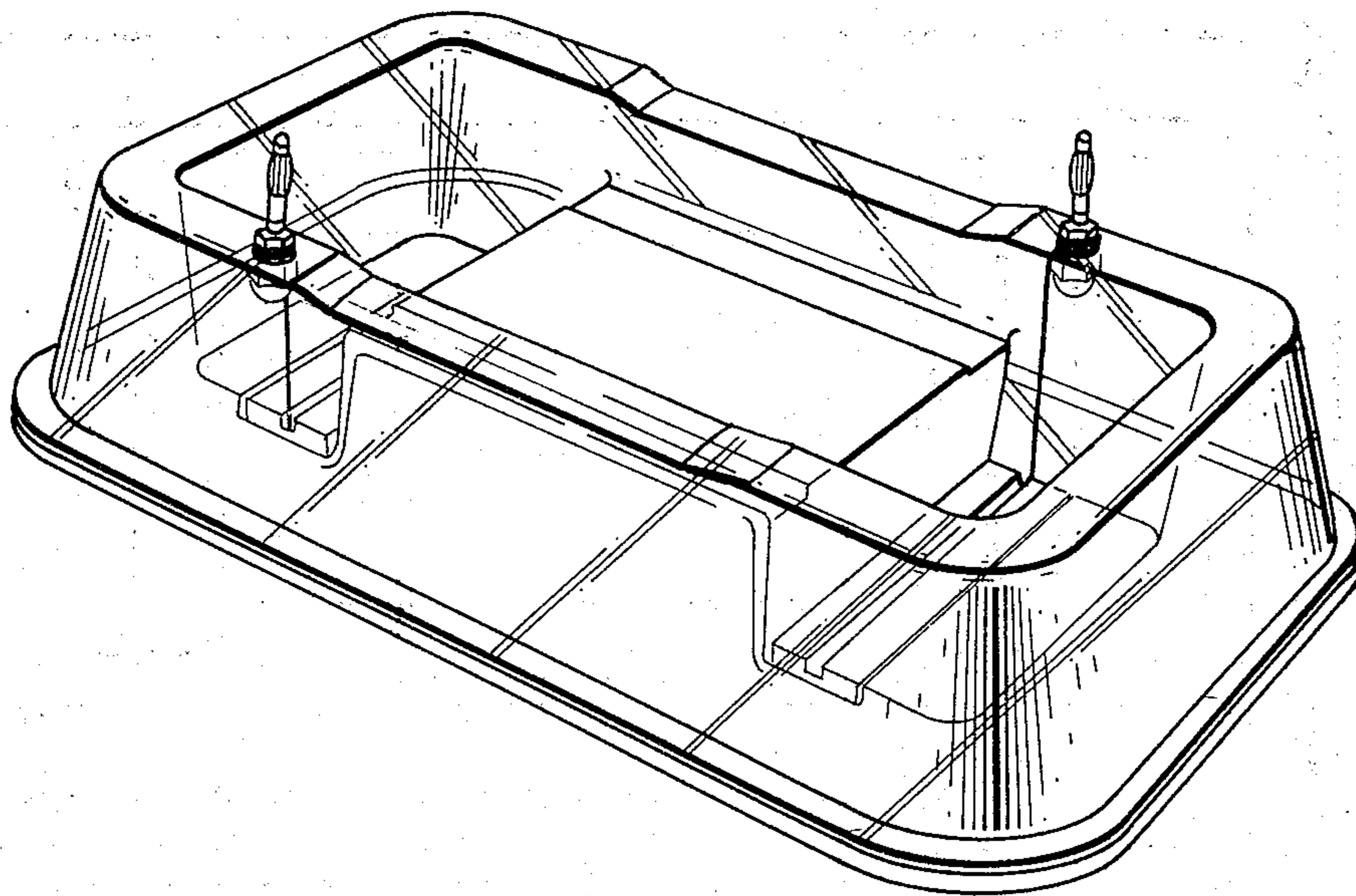
Primary Examiner—Catherine E. Kemper
Attorney, Agent, or Firm—Flehr, Hohbach, Test, Albritton & Herbert

[57] CLAIM

The ornamental design for a horizontal gel slab electrophoresis unit, as shown and described.

DESCRIPTION

FIG. 1 is a perspective view of a horizontal gel slab electrophoresis unit, showing my new design; FIG. 2 is a top plan view thereof; FIG. 3 is a bottom plan view thereof; FIG. 4 is a side elevational view thereof; FIG. 5 is a right end elevational view thereof.



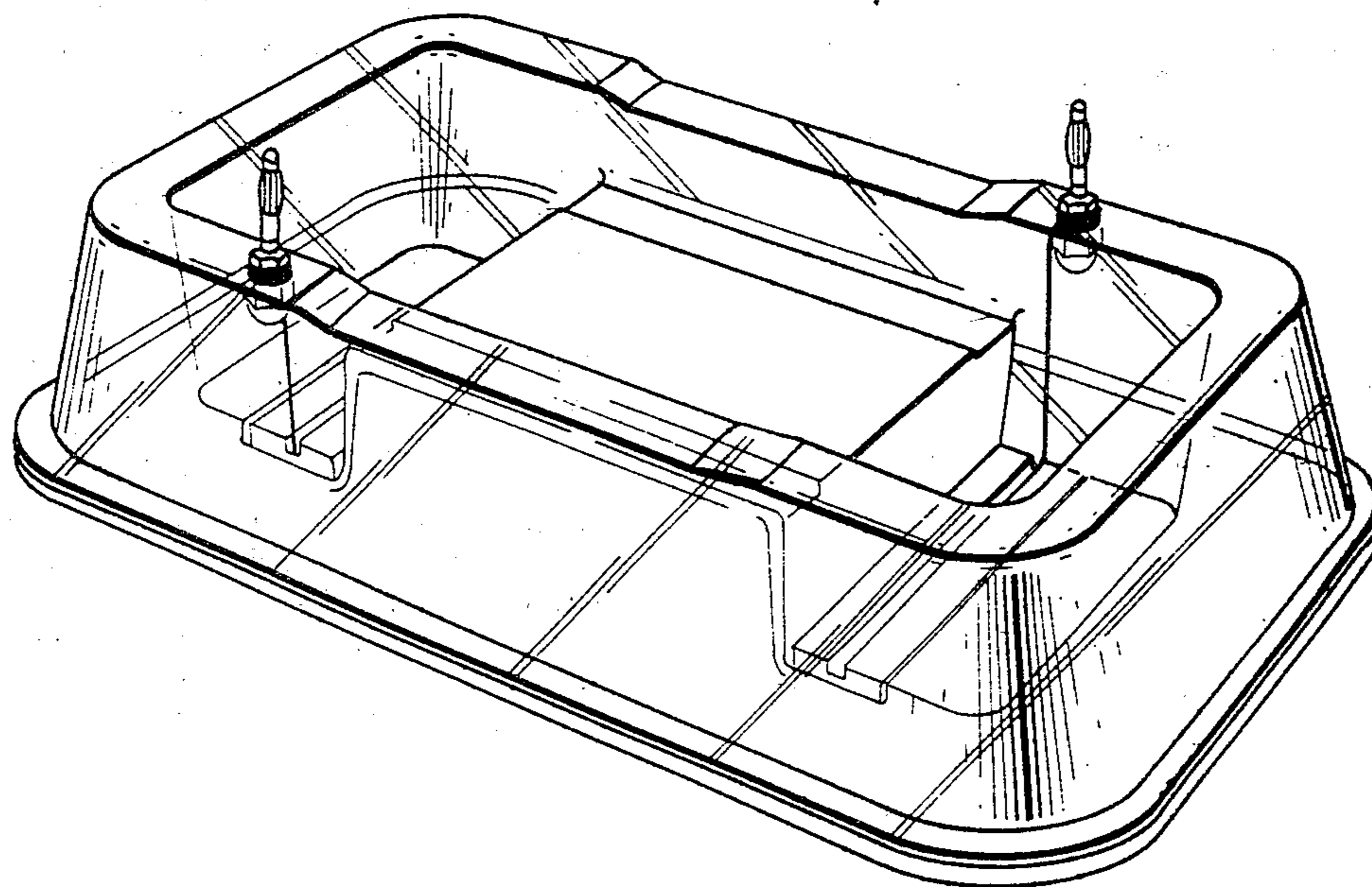


FIG. 1

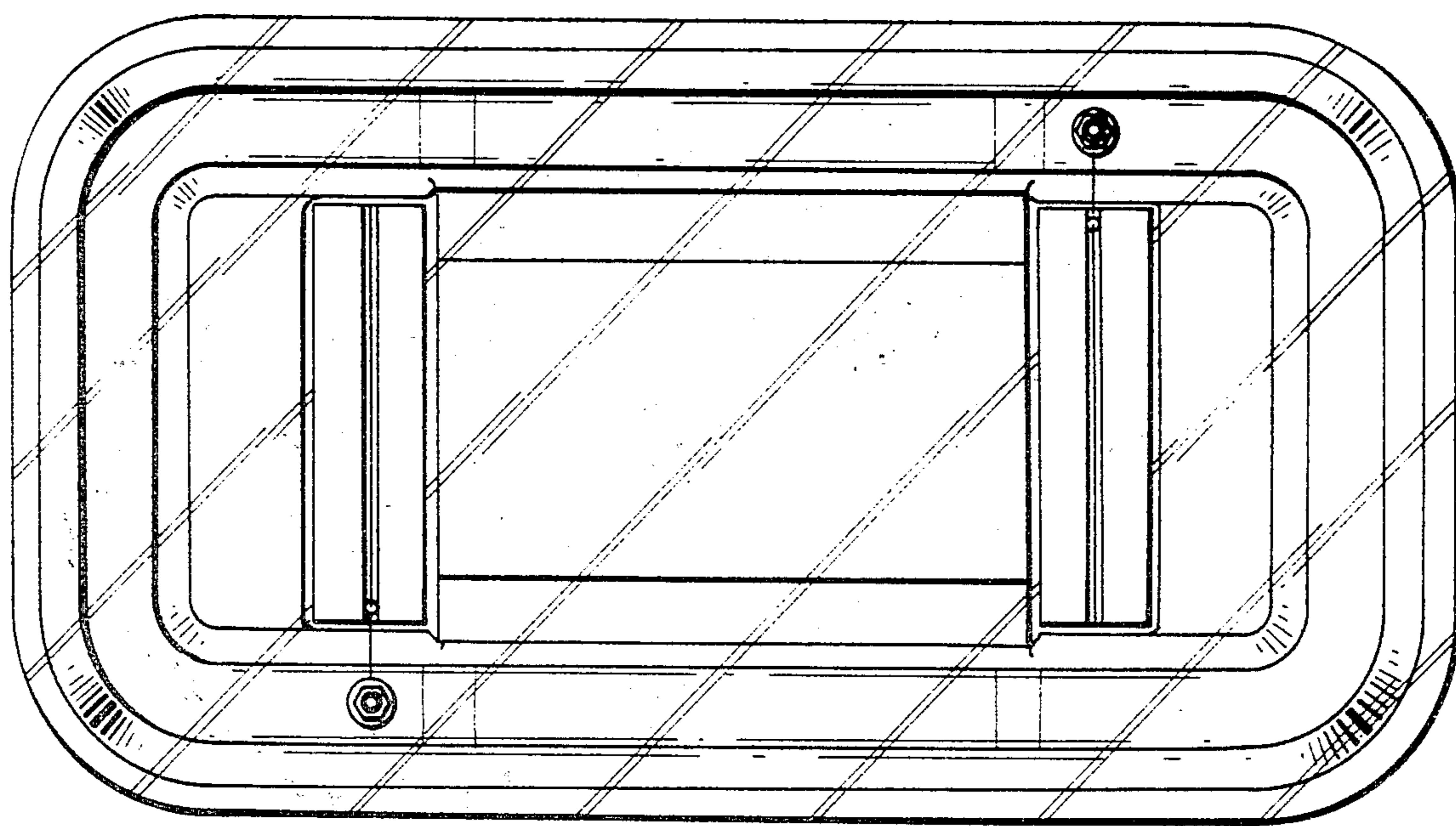


FIG. 2

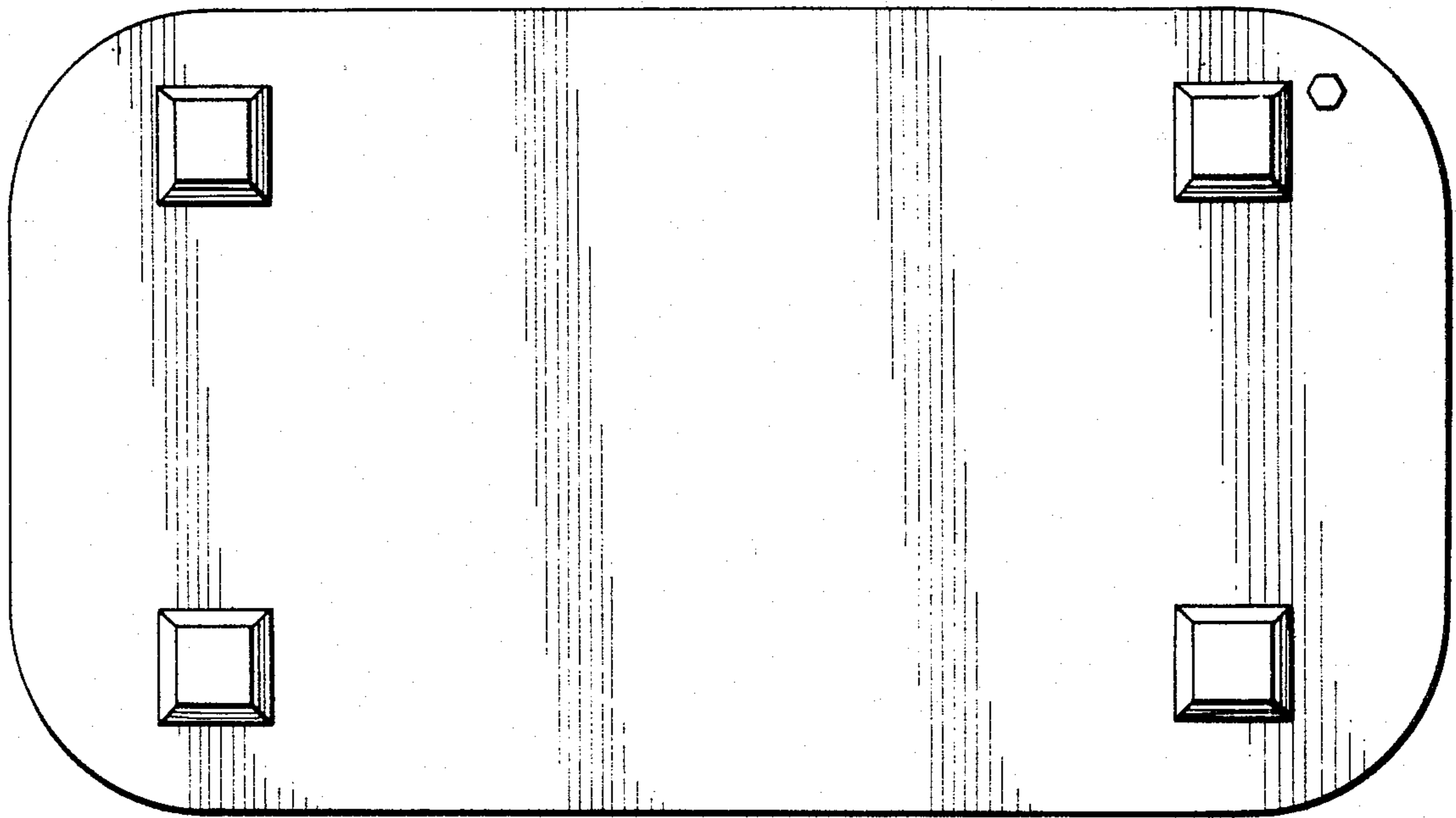


FIG. 3

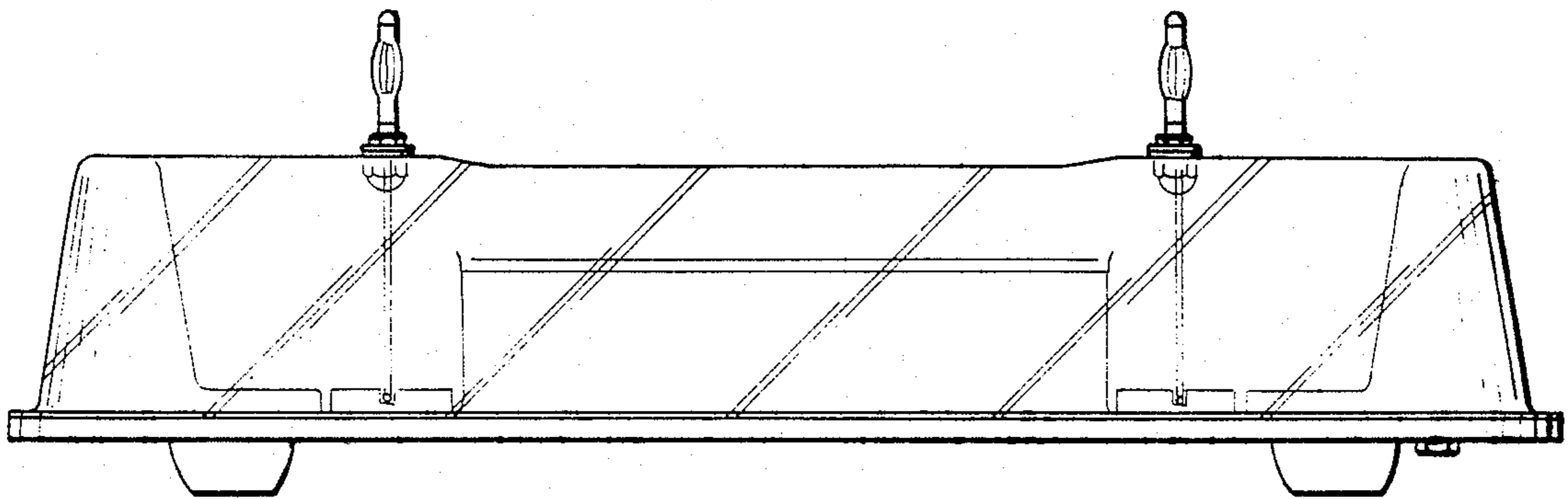


FIG. 4

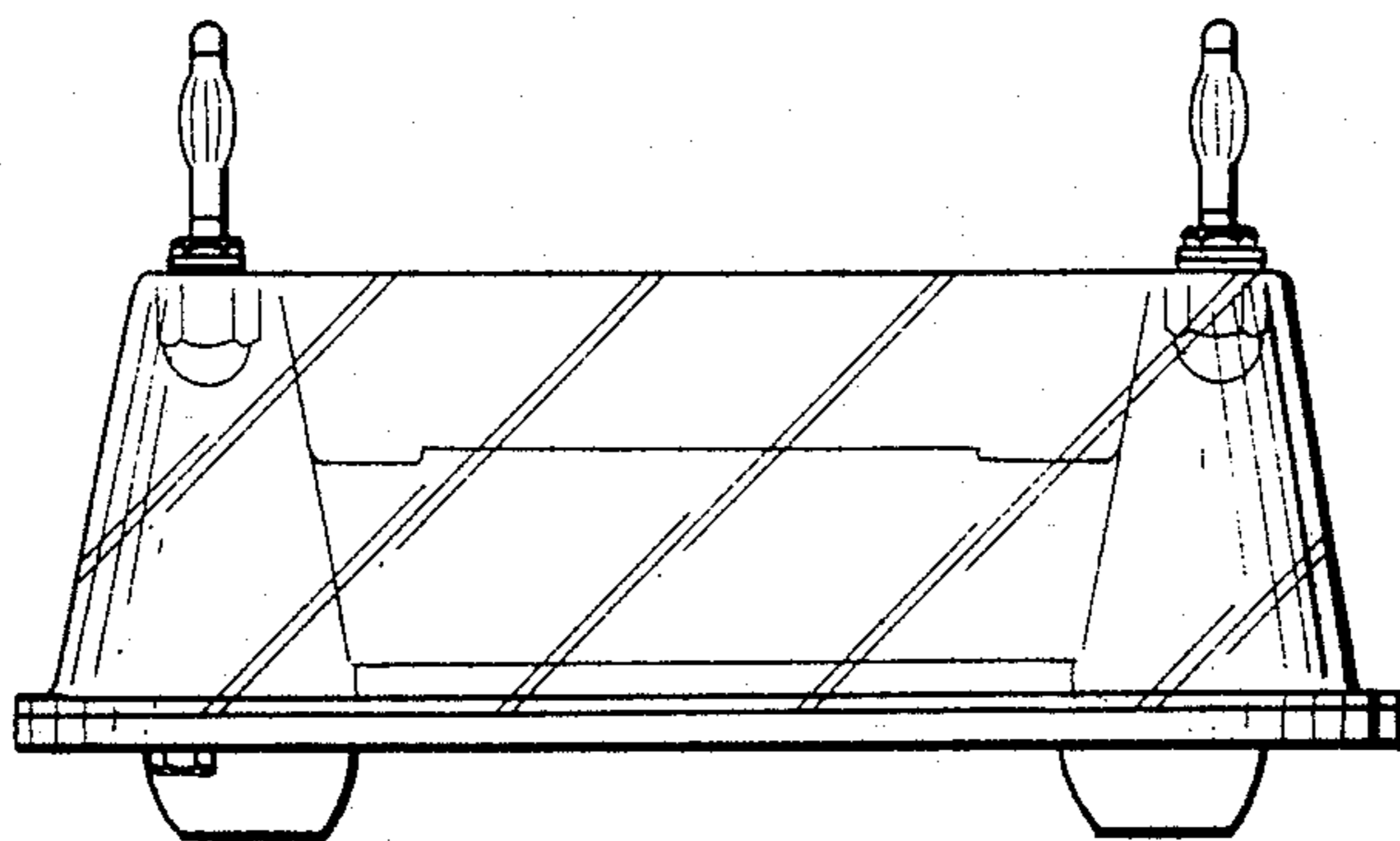


FIG. 5