

[54] CHOP SAW

[75] Inventor: Peter-Paul Pioch, Idstein, Fed. Rep. of Germany

[73] Assignee: Black & Decker Inc., Newark, Del.

[**] Term: 14 Years

[21] Appl. No.: 534,727

[22] Filed: Sep. 22, 1983

[30] Foreign Application Priority Data

May 6, 1983 [DE] Fed. Rep. of Germany URA 530/83

Jun. 25, 1983 [DE] Fed. Rep. of Germany URA 721/83

[52] U.S. Cl. D8/66

[58] Field of Search D8/61, 64, 66; 30/388, 30/390, 391, 377, 124 C; 83/124 C

[56] References Cited

U.S. PATENT DOCUMENTS

D. 259,235	5/1981	Dibun et al.	D8/66
D. 262,772	1/1982	Glass et al.	D8/66
3,057,240	10/1962	Wilt	83/490
3,262,472	7/1966	McCarty et al.	30/390
3,540,338	11/1970	McEwan	83/490
3,626,783	12/1971	Jägers	83/490

4,450,627 5/1984 Morimoto 30/391

OTHER PUBLICATIONS

DeWalt Stationary Power Tools Cat., 1982-1983, front and rear cover and p. 6, Power Miter Saw. Black and Decker Ind/Construction Division Cat., 4/1982, p. 37, Chop Saw.

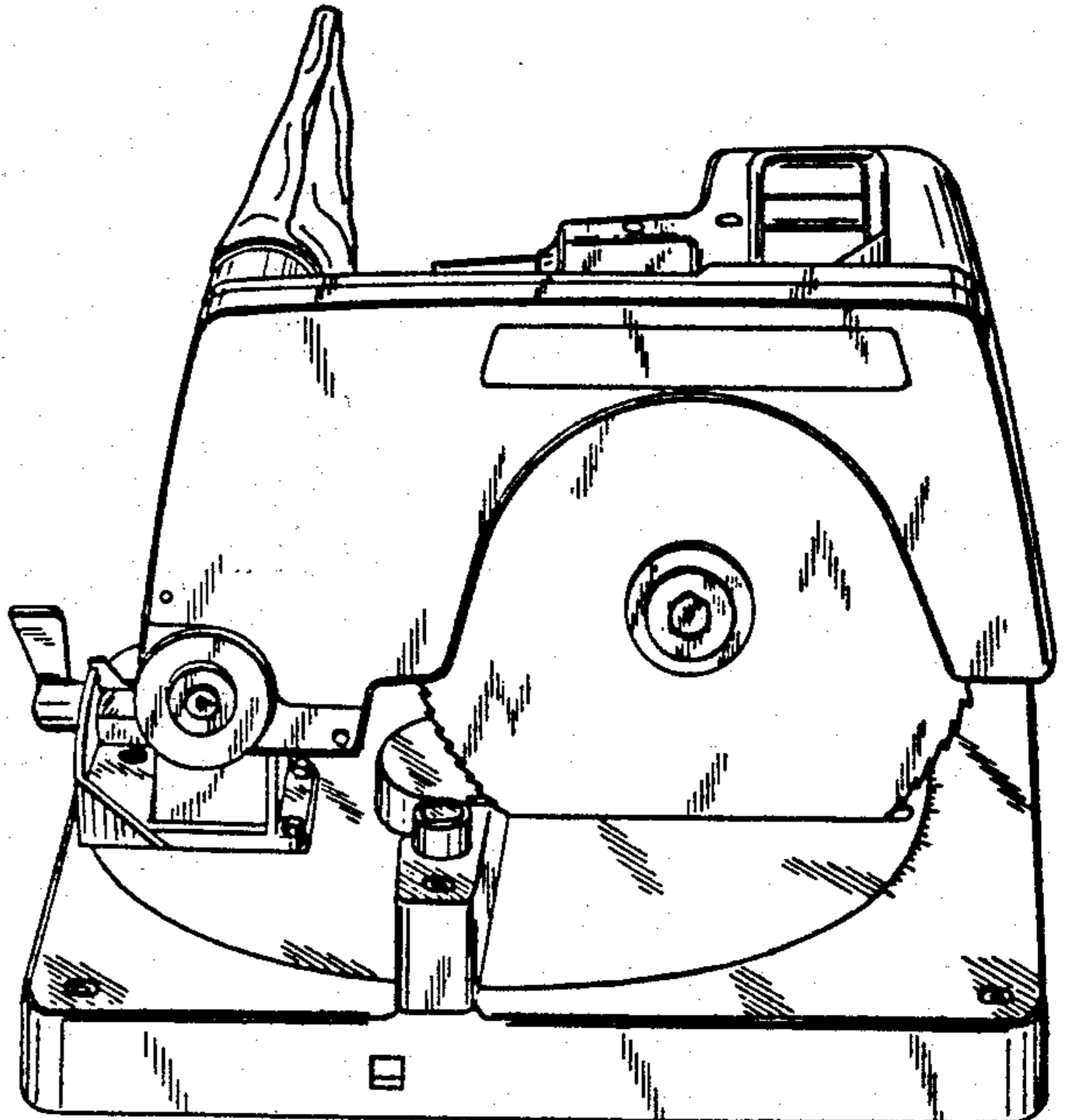
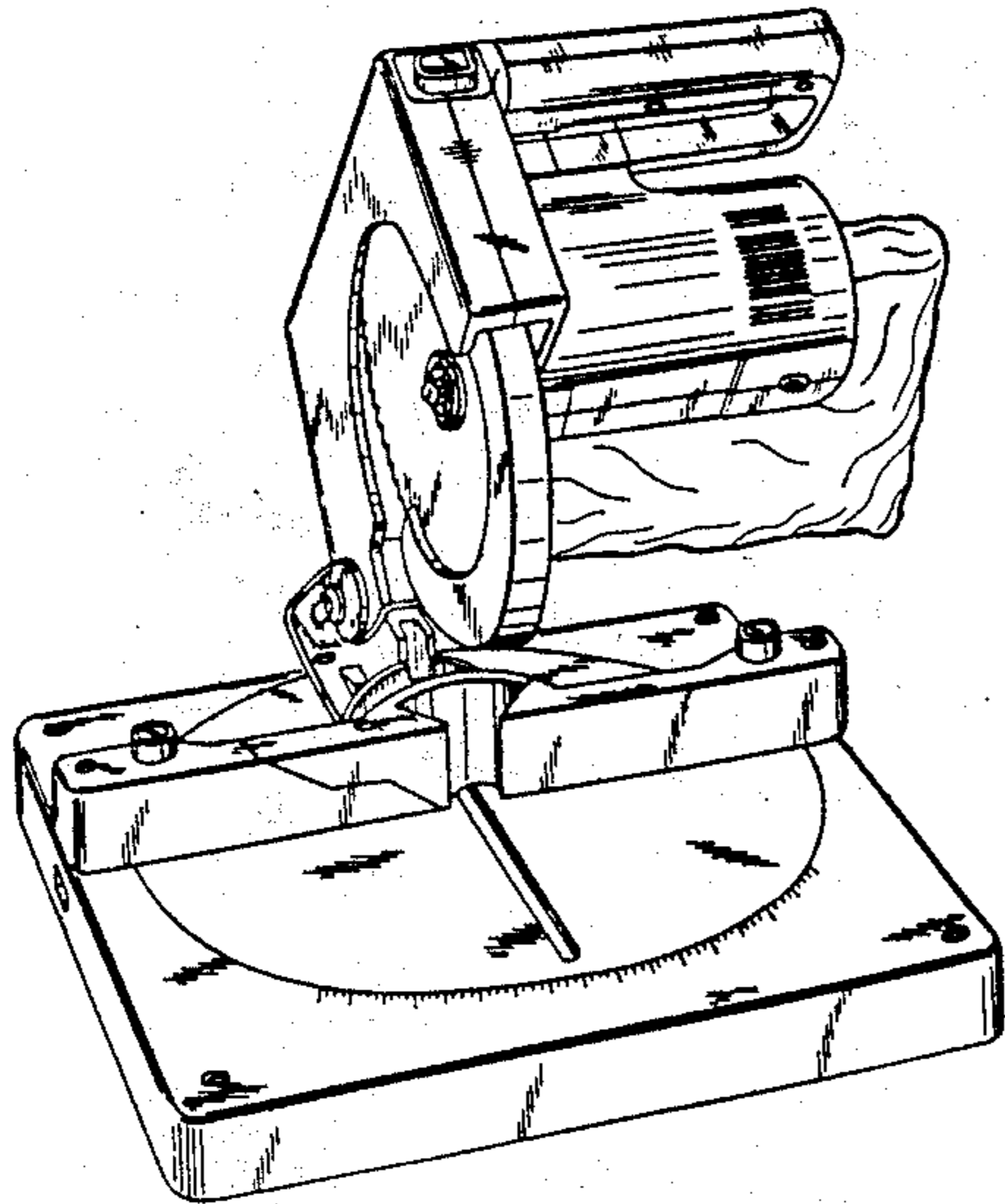
Primary Examiner—Wallace R. Burke
Assistant Examiner—Suzanne N. Gitlin
Attorney, Agent, or Firm—Ronald B. Sherer; Edward D. Murphy; Charles E. Yocum

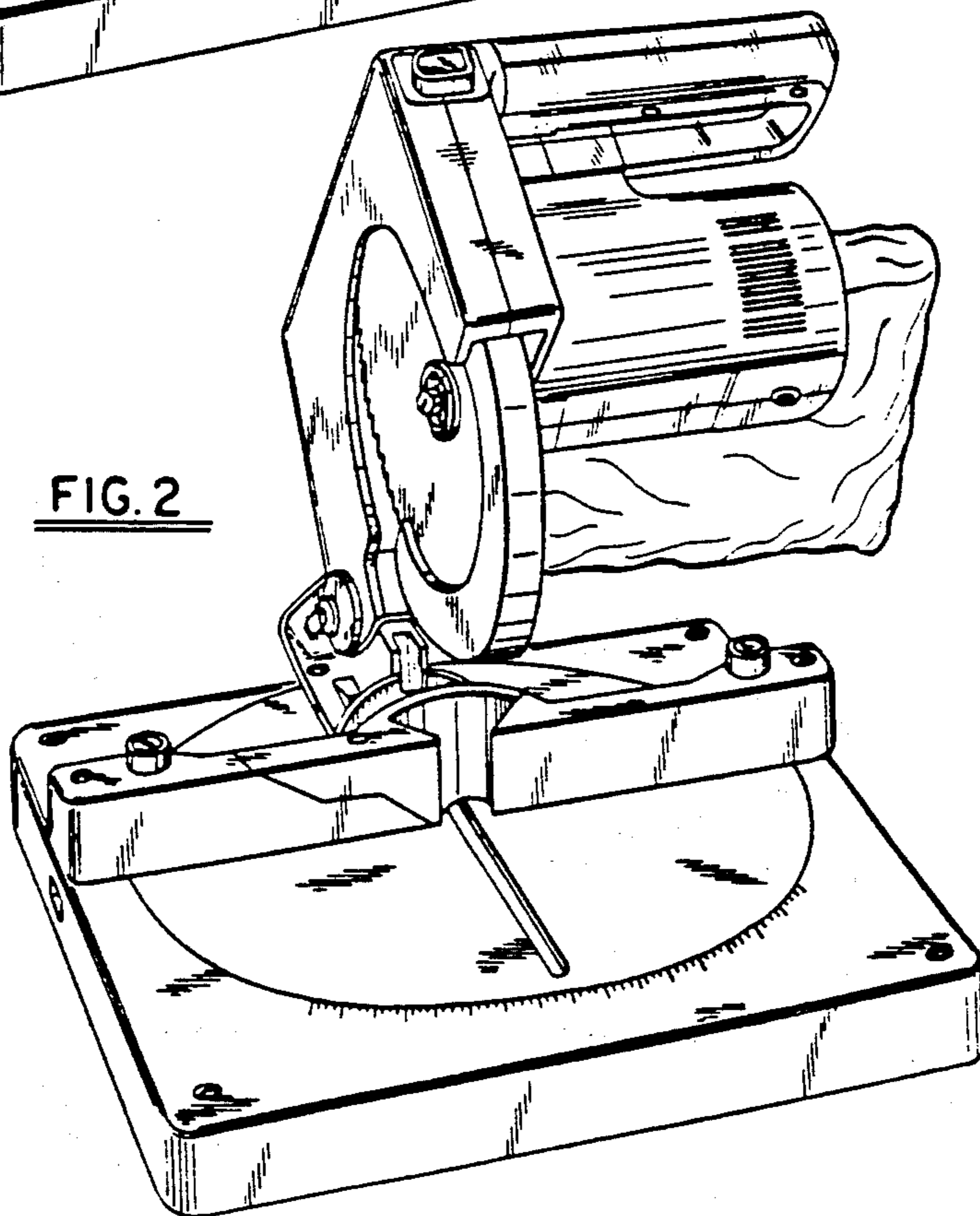
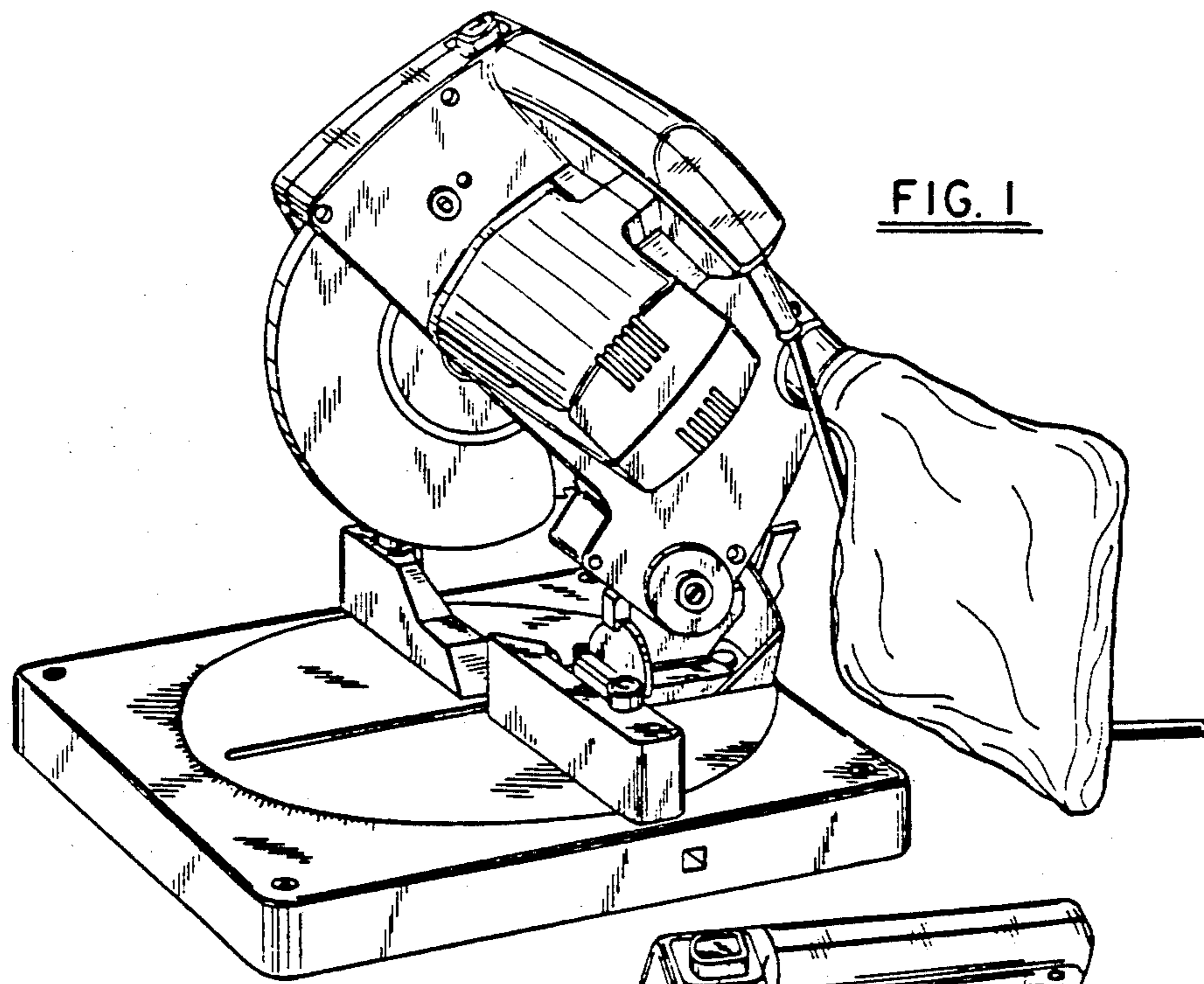
[57] CLAIM

The ornamental design for a chop saw, as shown and described.

DESCRIPTION

FIG. 1 is a front and right side perspective view of a chop saw showing my new design, the saw being shown in the raised position; FIG. 2 is a front and left side perspective view thereof; FIG. 3 is a front and left side perspective view, the saw being shown in the lowered position; FIG. 4 is a right side perspective view of FIG. 3; FIG. 5 is a left side perspective view of FIG. 3; FIG. 6 is a rear perspective view of FIG. 3. The undisclosed bottom surface of the base portion of the chop saw is substantially plain and unornamented.





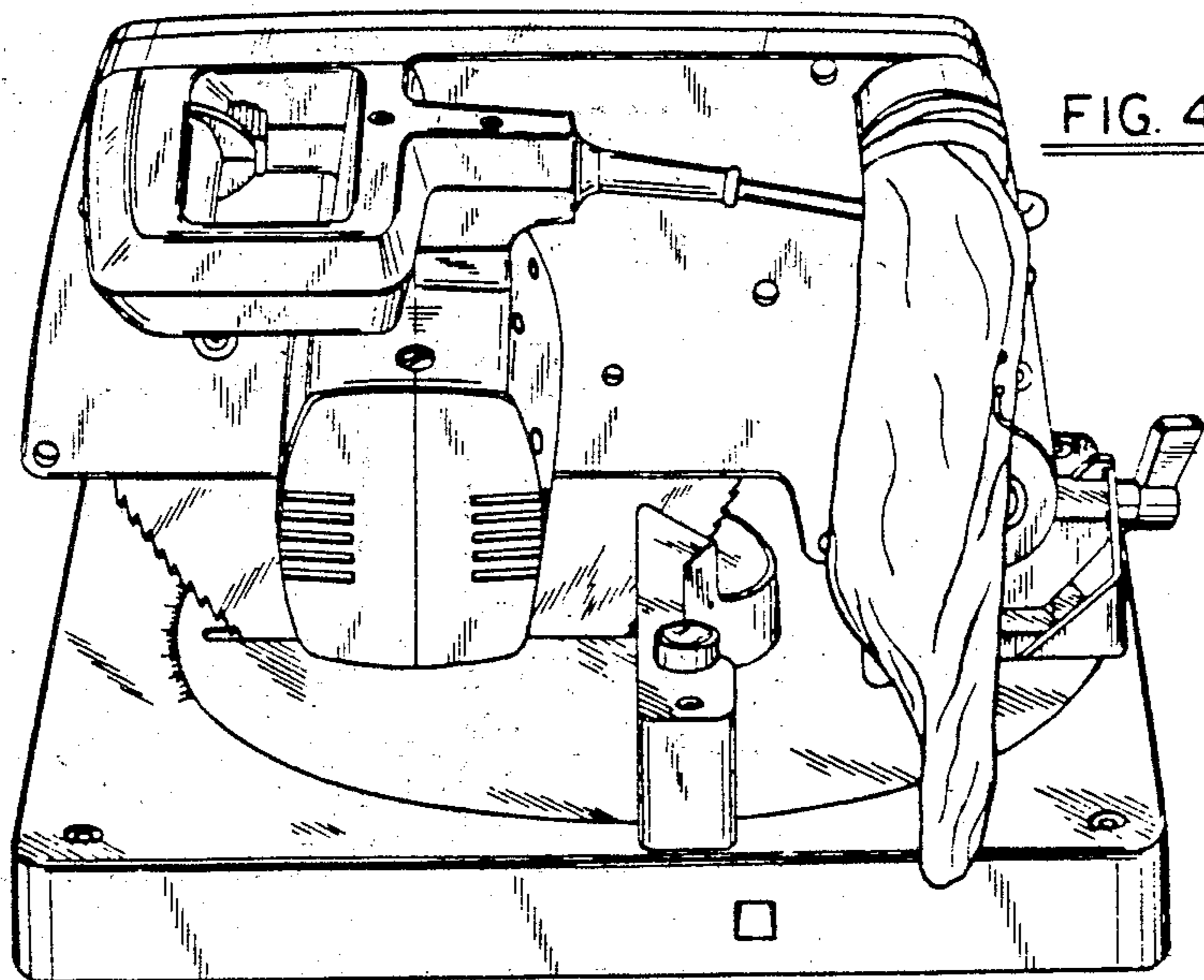
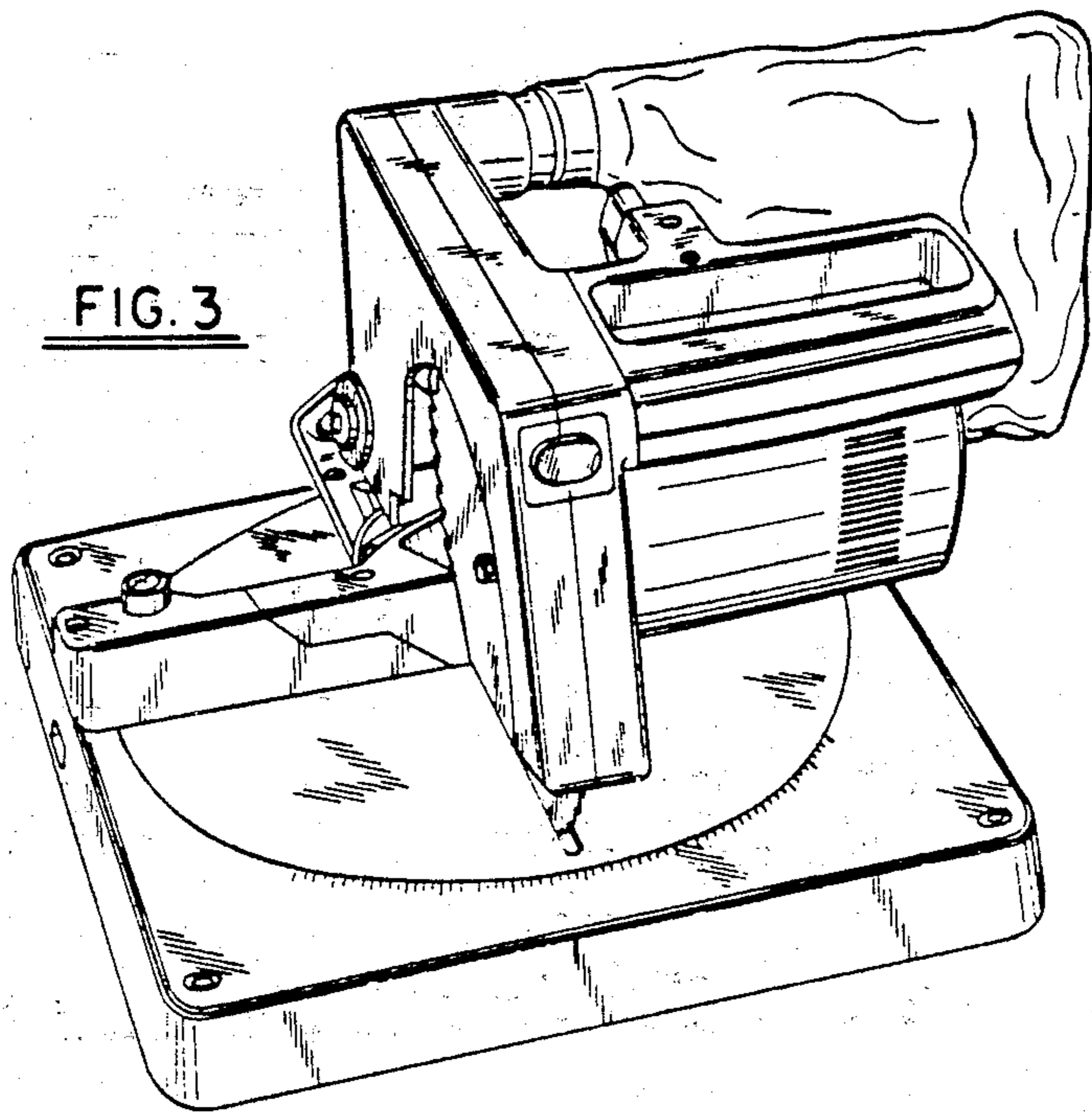


FIG. 5

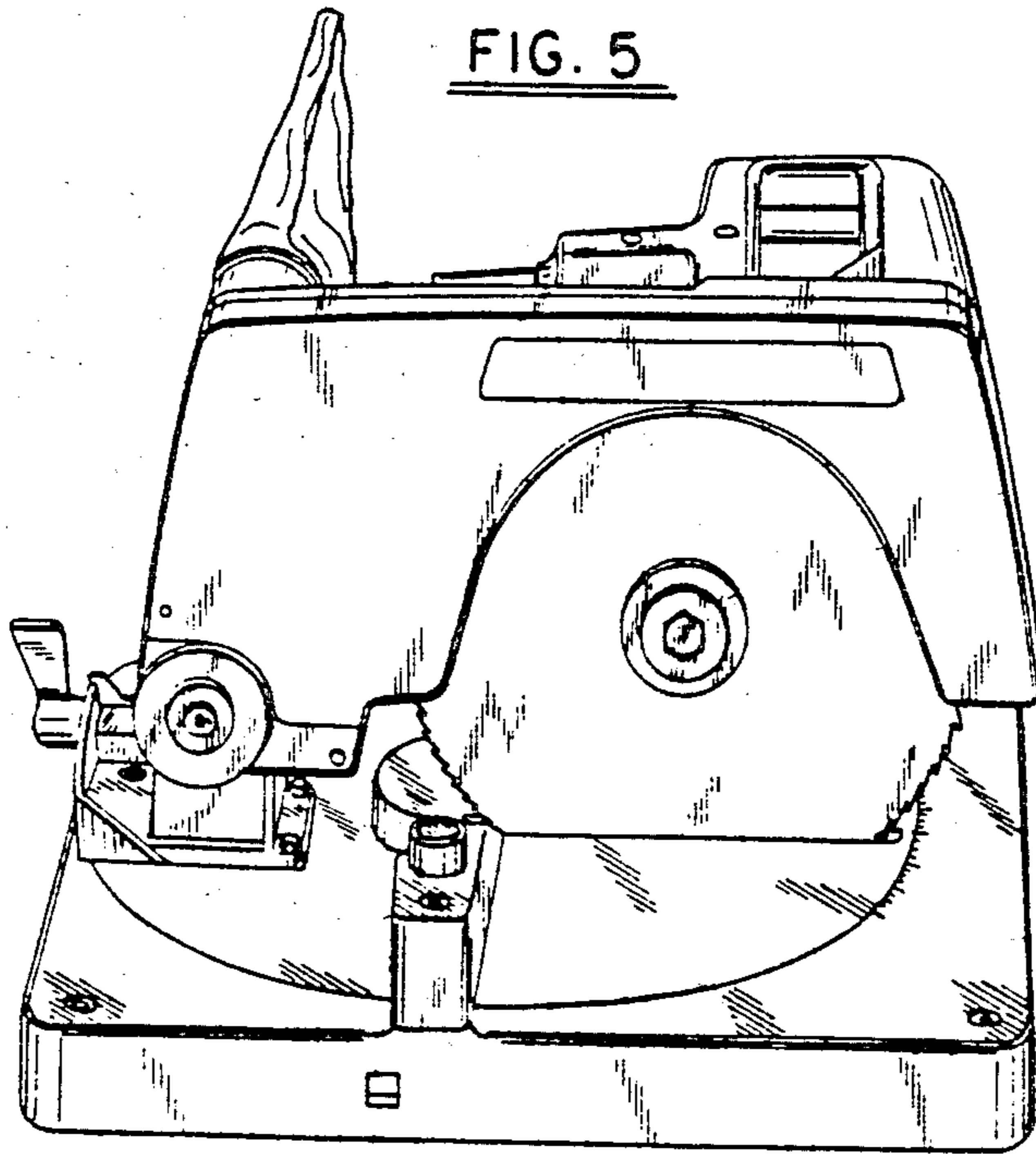


FIG. 6

