

[54] PNEUMATIC FASTENER DRIVING TOOL

[76] Inventor: Hellmüth Fehrs, Haldedorferstr. 22, 2000 Hamburg 71, Fed. Rep. of Germany

[\*\*] Term: 14 Years

[21] Appl. No.: 518,667

[22] Filed: Jul. 29, 1983

[30] Foreign Application Priority Data

Apr. 28, 1983 [DE] Fed. Rep. of Germany ..... DM/002 462

[52] U.S. Cl. .... D8/49; D8/61

[58] Field of Search ..... D8/61, 68, 56, 49; 227/120, 131, 130, 132

[56] References Cited

U.S. PATENT DOCUMENTS

D. 210,978 5/1968 Preble ..... D8/49

D. 211,208	5/1968	Bader	.....	D8/49
D. 254,706	4/1980	Barrett et al.	.....	D8/49
3,467,294	9/1969	Fisher	.....	227/130
3,491,931	1/1970	Sales	.....	D8/61
3,499,593	3/1970	Volkman	.....	227/130

FOREIGN PATENT DOCUMENTS

1935783 2/1970 Fed. Rep. of Germany ..... 227/130

Primary Examiner—Wallace R. Burke  
Assistant Examiner—Suzanne N. Gitlin  
Attorney, Agent, or Firm—Harness, Dickey & Pierce

[57] CLAIM

The ornamental design for a pneumatic fastener driving tool, substantially as shown and described.

DESCRIPTION

FIG. 1 is a front perspective view of a pneumatic fastener driving tool showing my new design;  
FIG. 2 is a rear perspective view thereof;  
FIG. 3 is an enlarged bottom perspective view thereof.

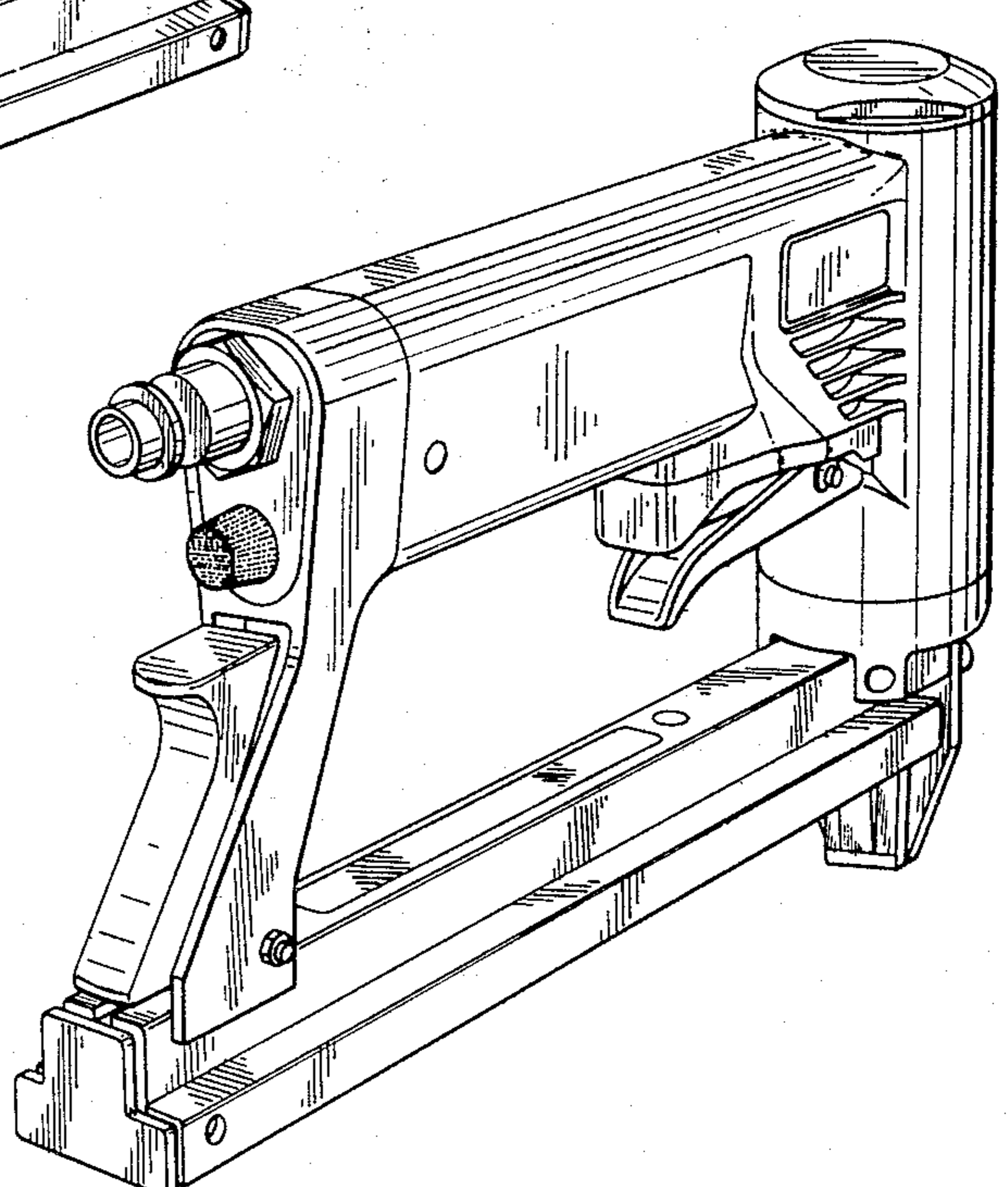
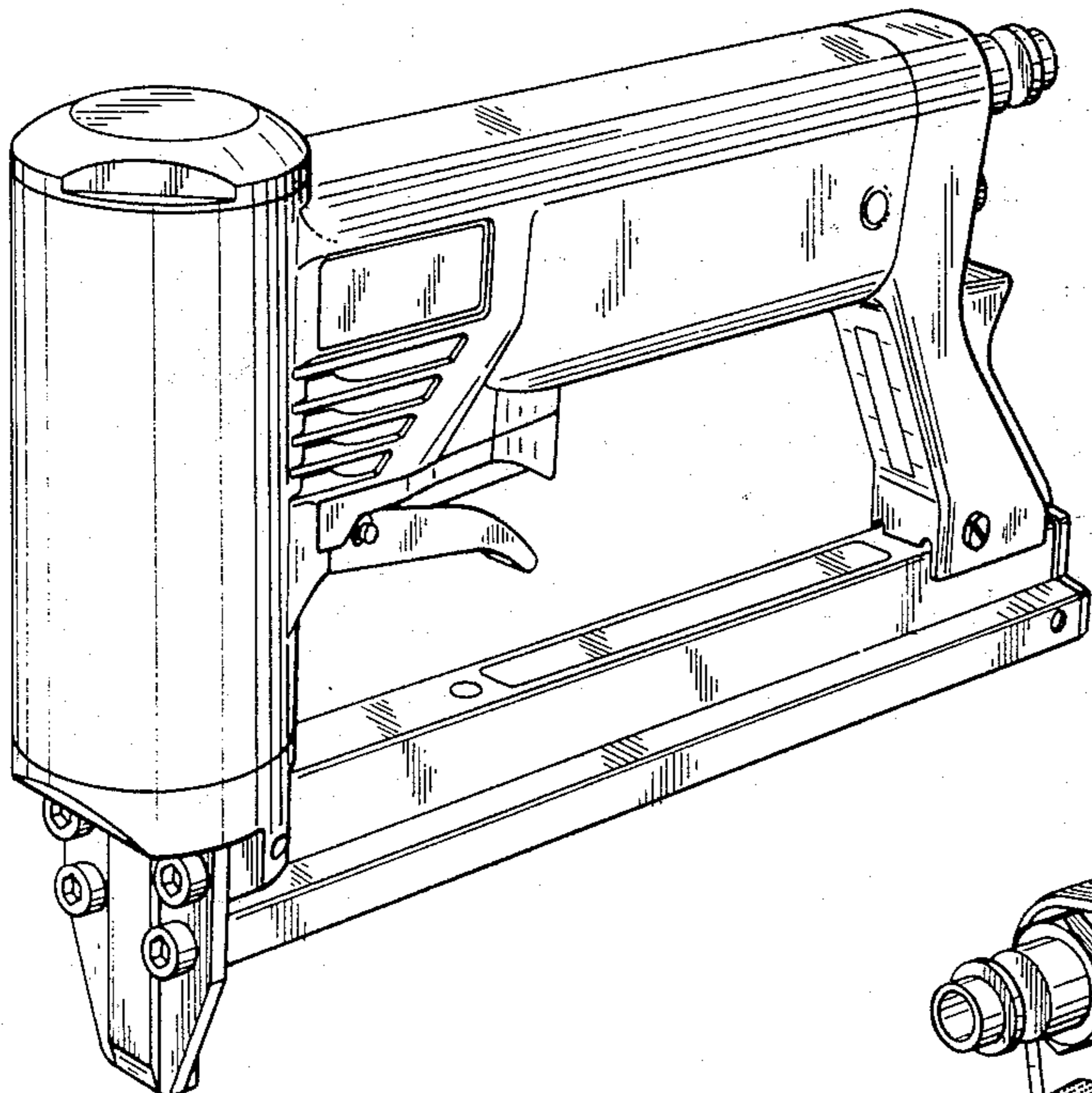


FIG. 1

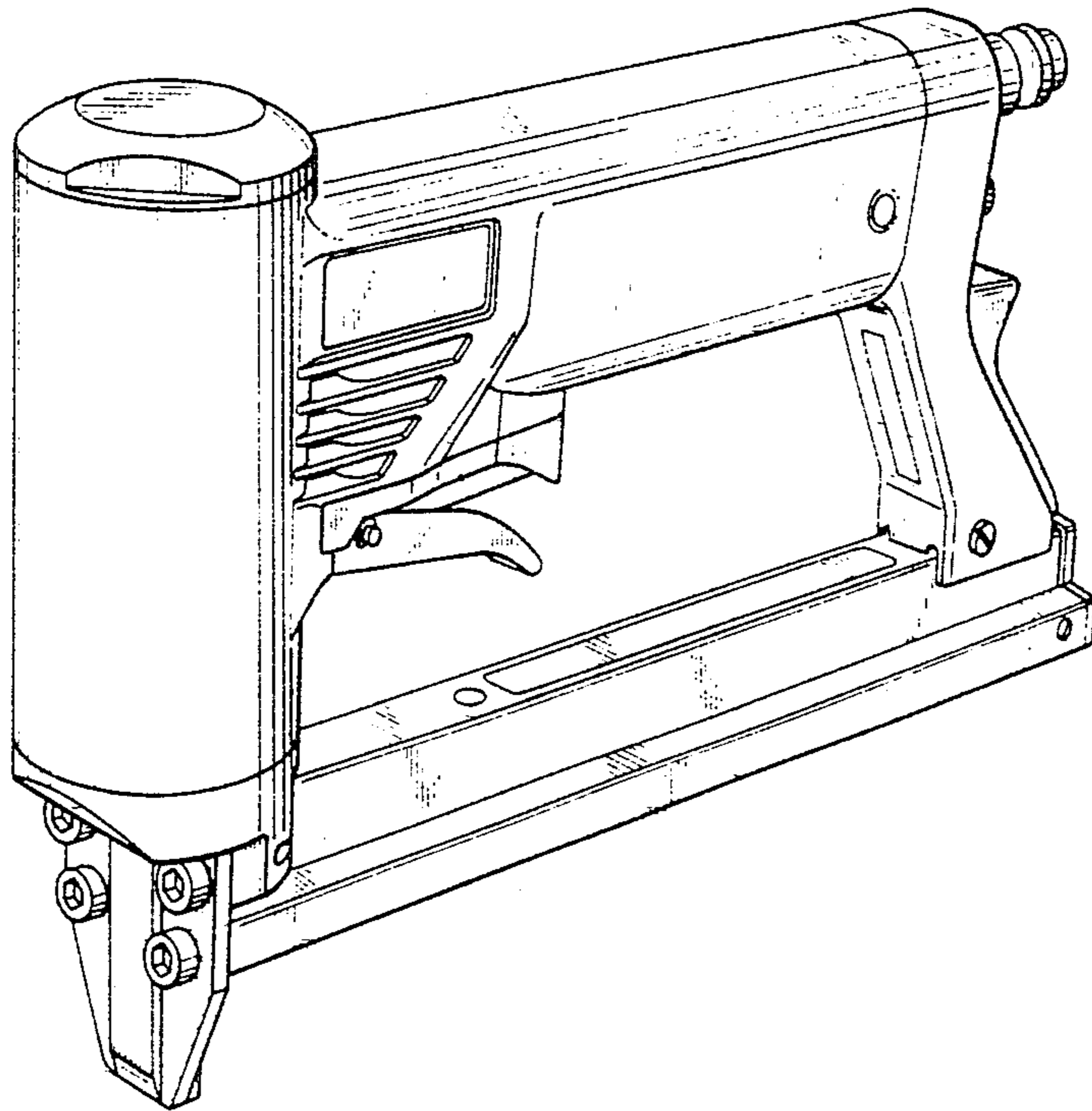


FIG. 2

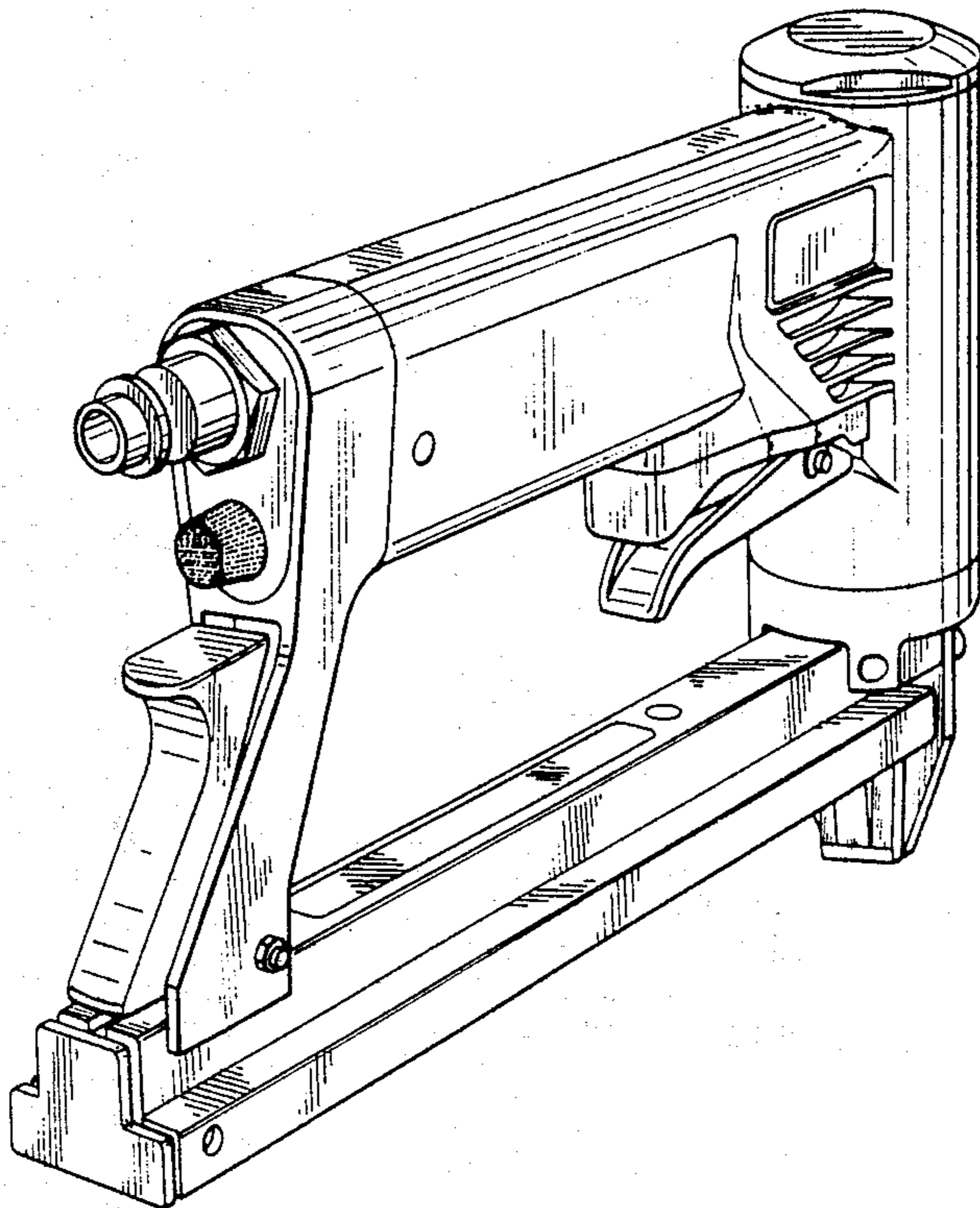


FIG. 3

