

[54] AUTOMOTIVE TRIM CLIP TOOL

[76] Inventor: Henry B. Wilcox, 927 N. Macomb St., Apt. 12C, Monroe, Mich. 48161

[\*\*] Term: 14 Years

[21] Appl. No.: 457,735

[22] Filed: Feb. 28, 1983

[52] U.S. Cl. .... D8/16; D8/14; D8/88

[58] Field of Search ..... D8/14, 16, 19, 88, 89; 29/267, 239; 254/25

[56] References Cited

U.S. PATENT DOCUMENTS

D. 162,664	3/1951	Kleeb .....	D8/16
D. 268,215	3/1983	McBride .....	D8/19
2,593,304	4/1952	Howard .....	D8/19
2,805,882	9/1957	Bohevek .....	D8/88

3,134,574 5/1964 Leuterfors ..... 254/25

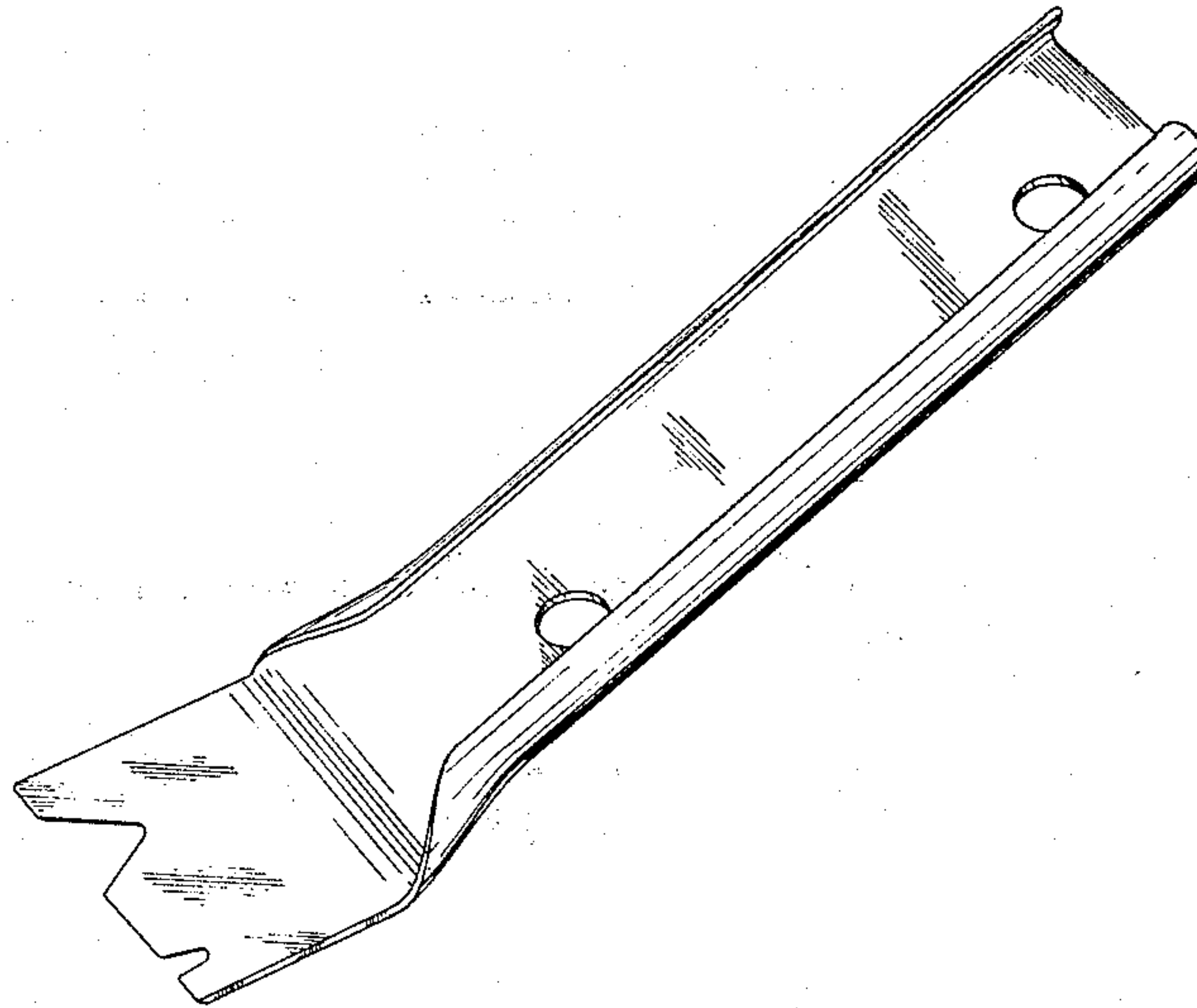
Primary Examiner—Wallace R. Burke  
Assistant Examiner—Suzanne N. Gitlin  
Attorney, Agent, or Firm—Vincent L. Barker, Jr.

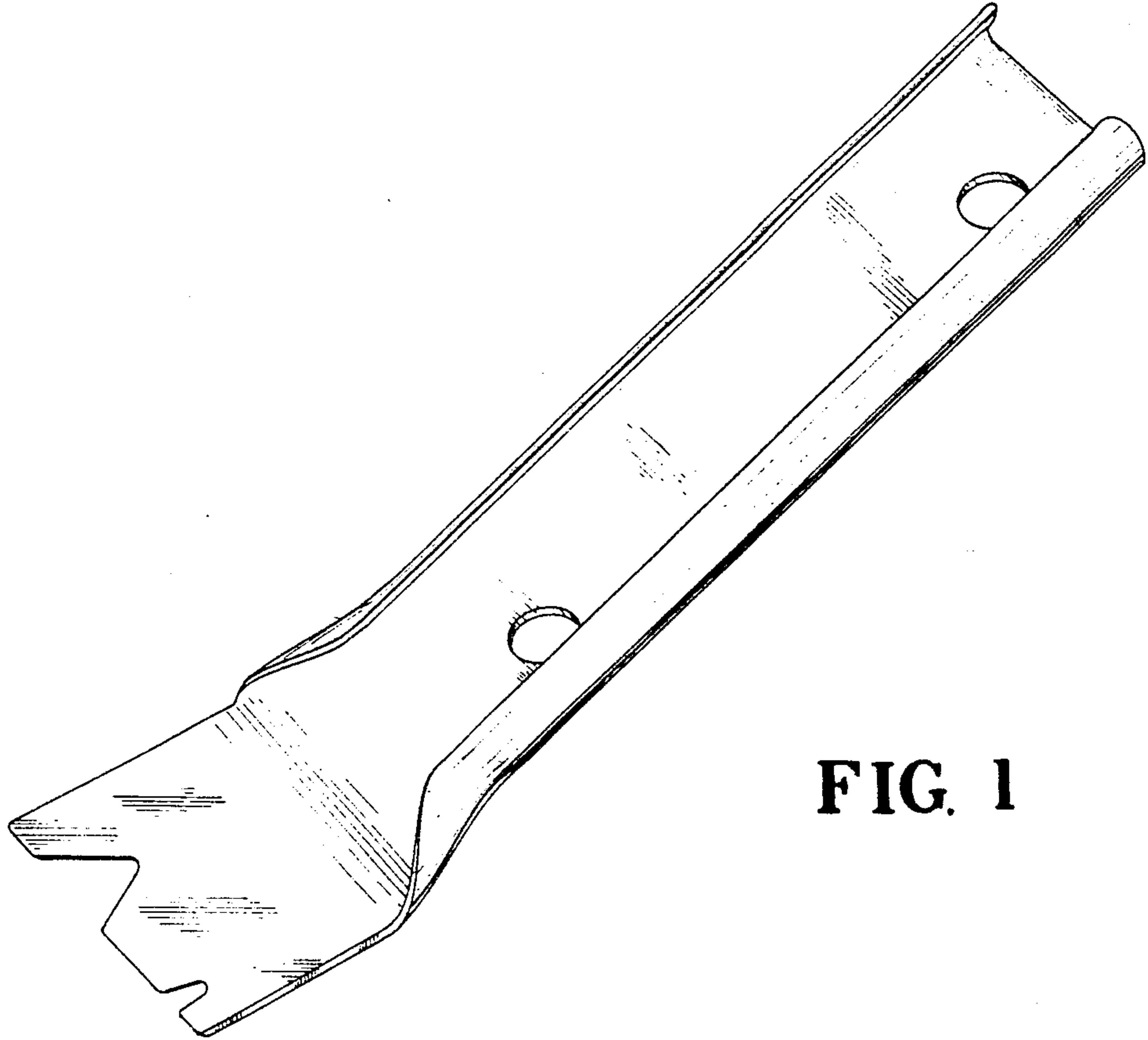
[57] CLAIM

The ornamental design for an automotive trim clip tool, as shown.

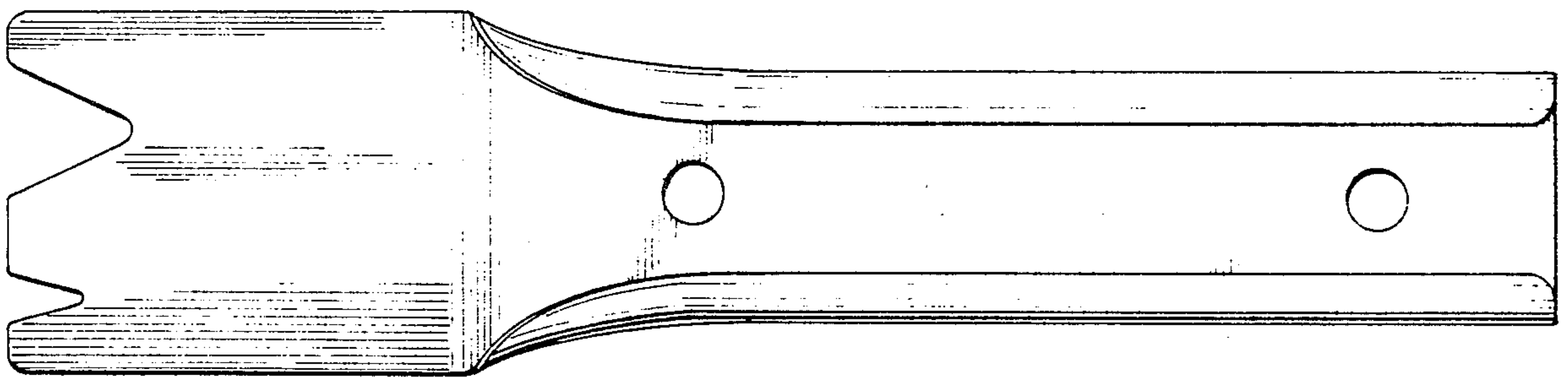
DESCRIPTION

FIG. 1 is a perspective view of an automotive trim clip tool showing my new design;  
FIG. 2 is a top plan view thereof;  
FIG. 3 is a side elevational view taken from the right of FIG. 1;  
FIG. 4 is a bottom plan view thereof;  
FIG. 5 is an end elevational view thereof;  
FIG. 6 is an end elevational view, opposite that seen in FIG. 5.

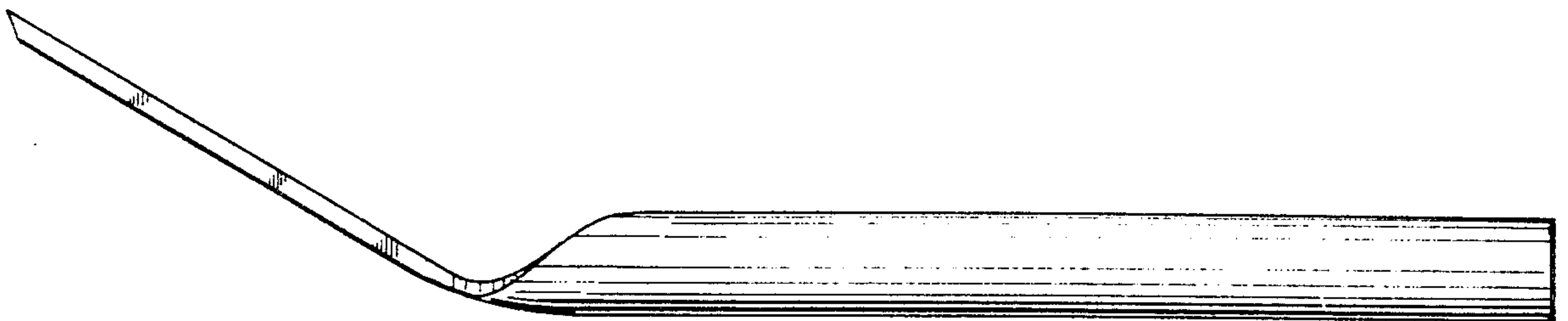




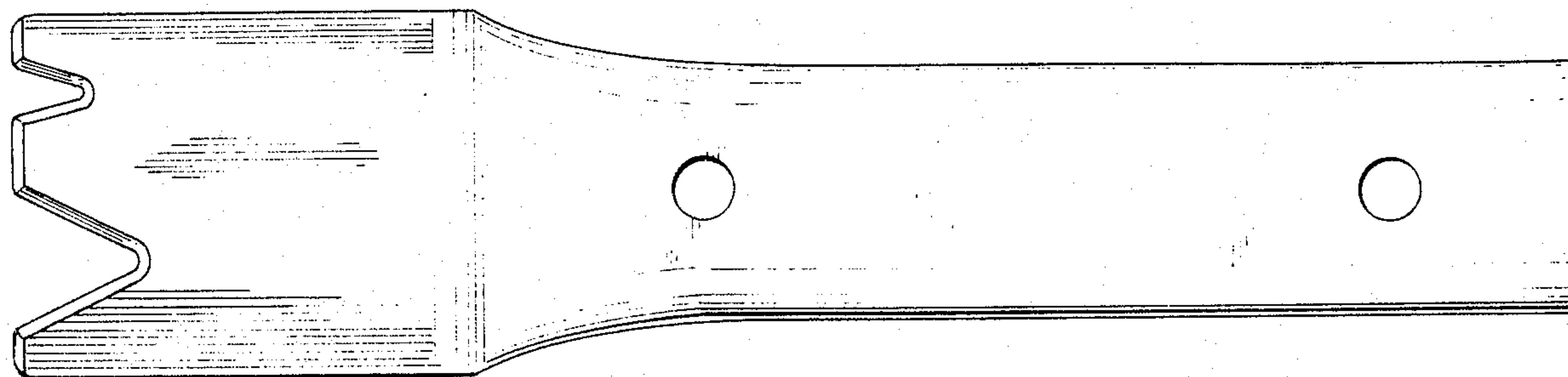
**FIG. 1**



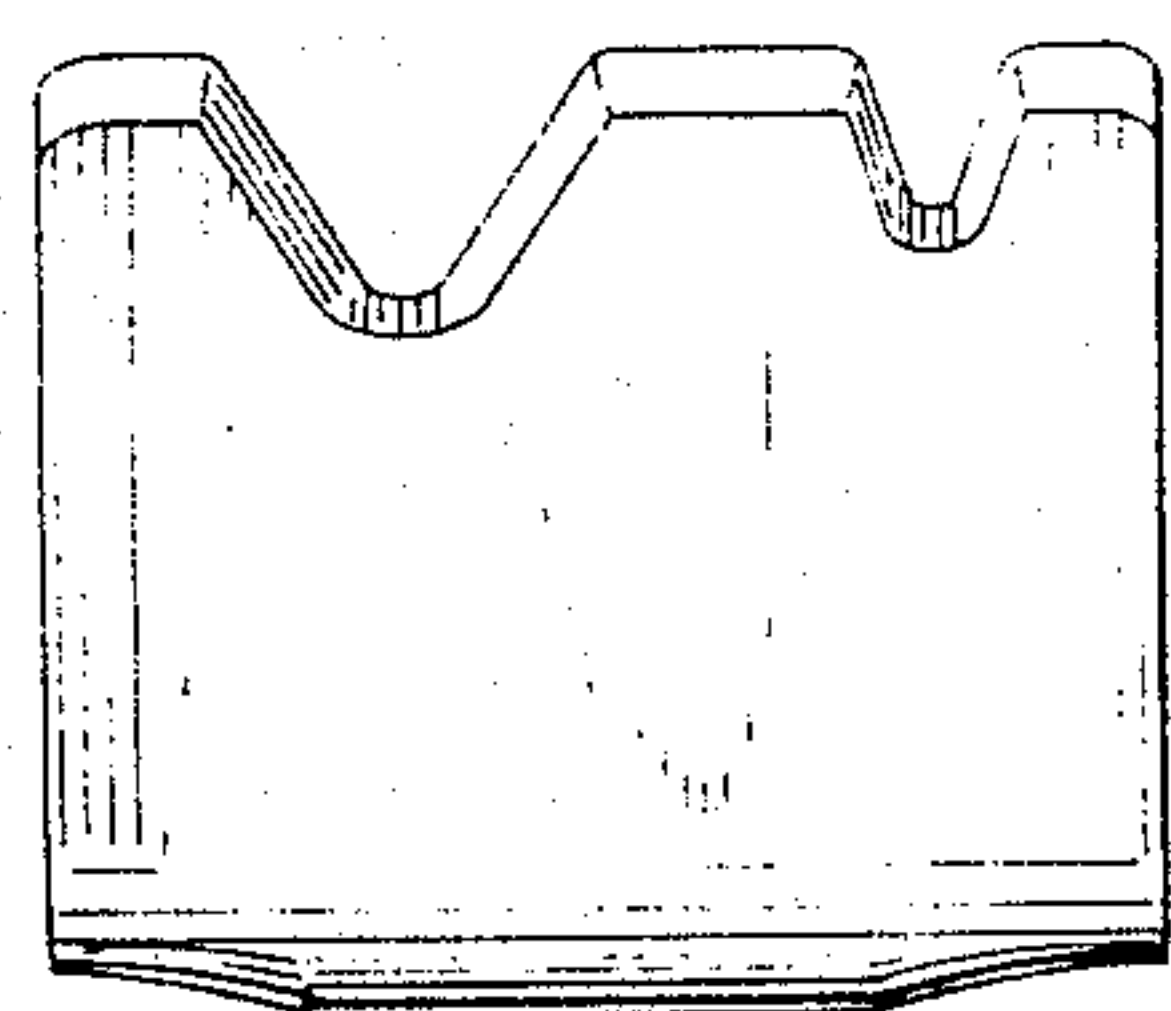
**FIG. 2**



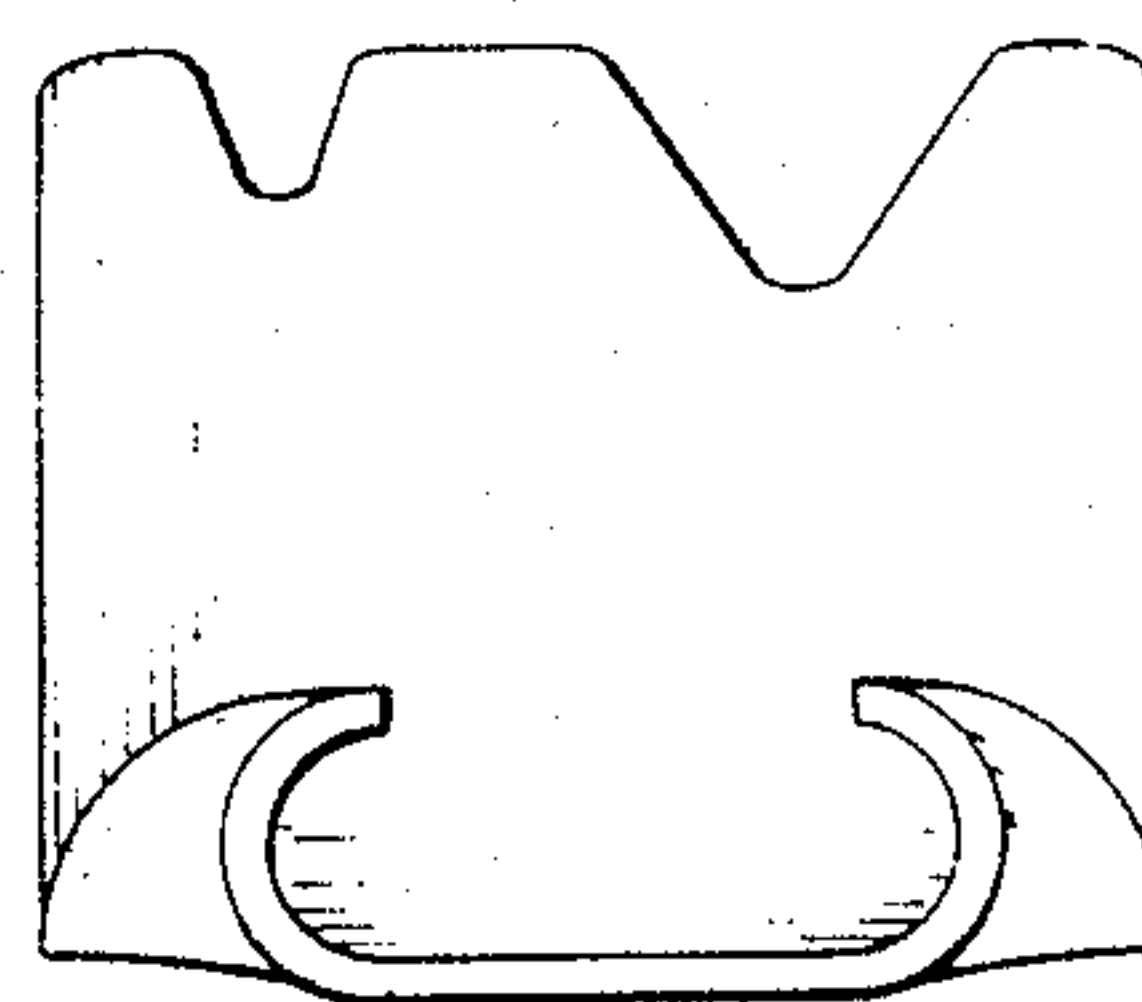
**FIG. 3**



**FIG. 4**



**FIG. 5**



**FIG. 6**