

[54] **BEVERAGE DISPENSER VALVE**

[75] **Inventors:** William J. Saunders, Atlanta; Robert D. Bruffey, Jr., Lilburn, both of Ga.; Edwin Pounder, La Canada; Richard E. Morrison, Temple City; Carlos Cojulun, Los Angeles, all of Calif.;

[73] **Assignees:** The Coca-Cola Company, Atlanta, Ga.; Transdynamics, Inc., El Monte, Calif.

[**] **Term:** 14 Years

[21] **Appl. No.:** 474,624

[22] **Filed:** Mar. 11, 1983

[52] **U.S. Cl.** D7/398

[58] **Field of Search** D7/398, 307, 308, 306, D7/300; 222/182, 129.1

[56] **References Cited**

U.S. PATENT DOCUMENTS

- D. 208,287 8/1967 Tall D7/307
- D. 236,658 9/1975 Mitchell et al. D7/398

- D. 261,269 10/1981 Cornett D7/307
- D. 271,271 11/1983 Austin et al. D7/398
- D. 271,463 11/1983 Lents D7/307 X
- 3,331,536 7/1967 Lorenzo 222/129.1 X
- 3,892,335 Schroeder 222/129.1

OTHER PUBLICATIONS

Dole Selmix-Family of Valves-FFV, GEV, SEV, 11/82.

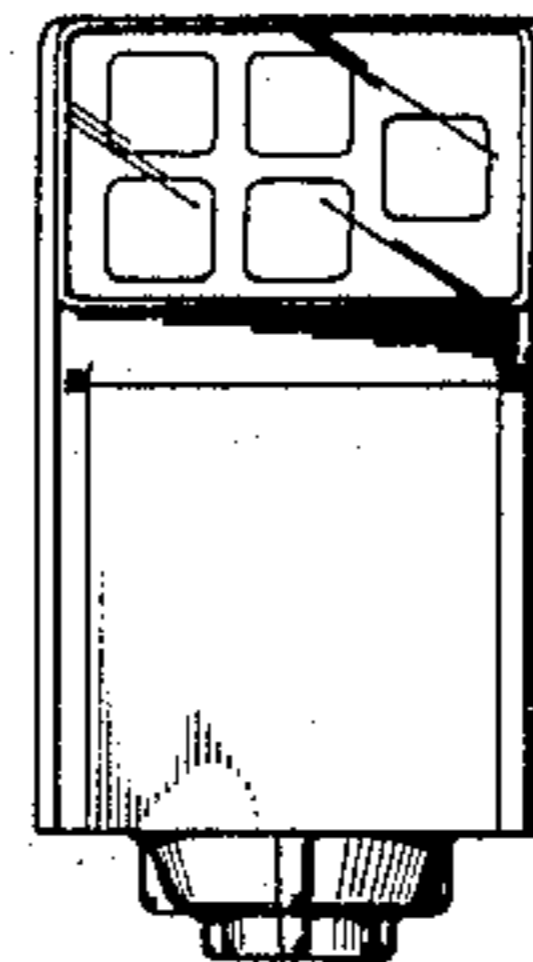
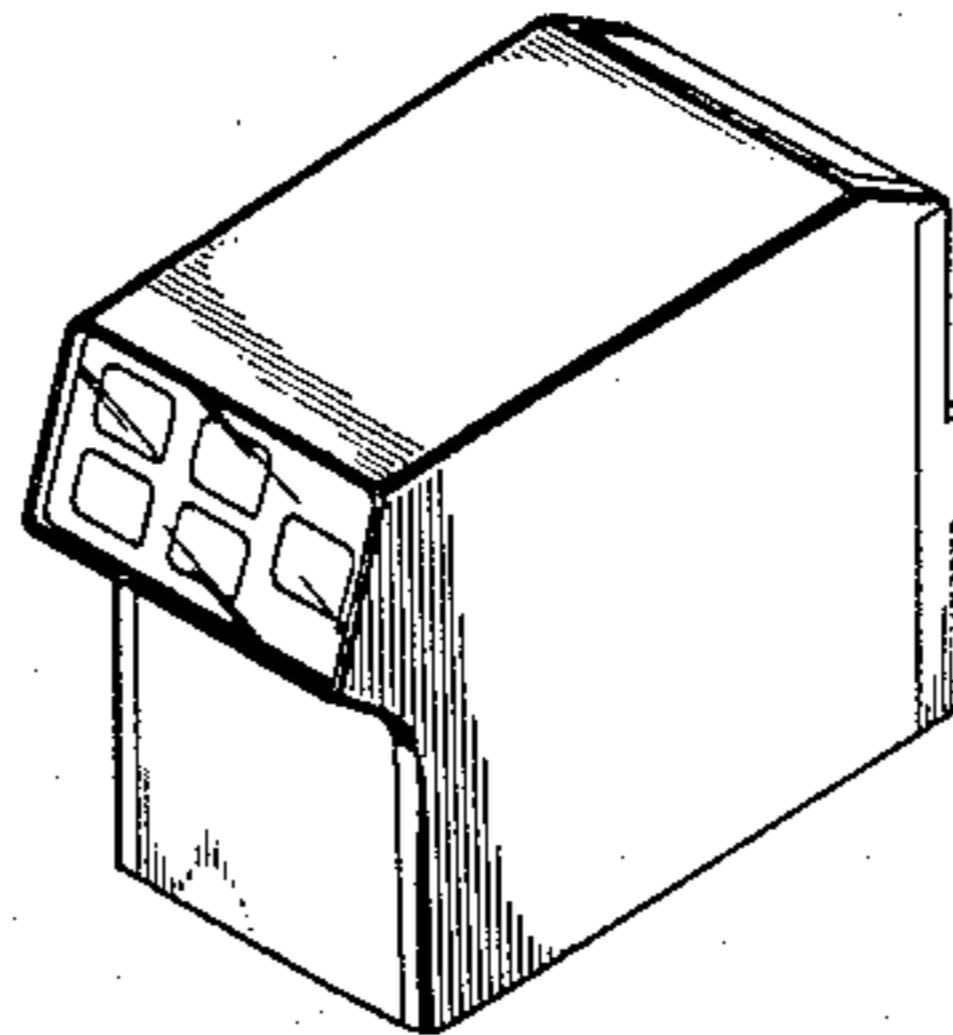
Primary Examiner—Bernard Ansher
Assistant Examiner—Linda Titolo

[57] **CLAIM**

The ornamental design for a beverage dispenser valve, as shown.

DESCRIPTION

FIG. 1 is a top front right side perspective view of a beverage dispenser valve, showing our new design; FIG. 2 is a left side elevational view thereof; FIG. 3 is a front elevational view thereof; FIG. 4 is a top plan view thereof; FIG. 5 is a right side elevational view thereof; FIG. 6 is a bottom plan view thereof; and FIG. 7 is a rear elevational view thereof.



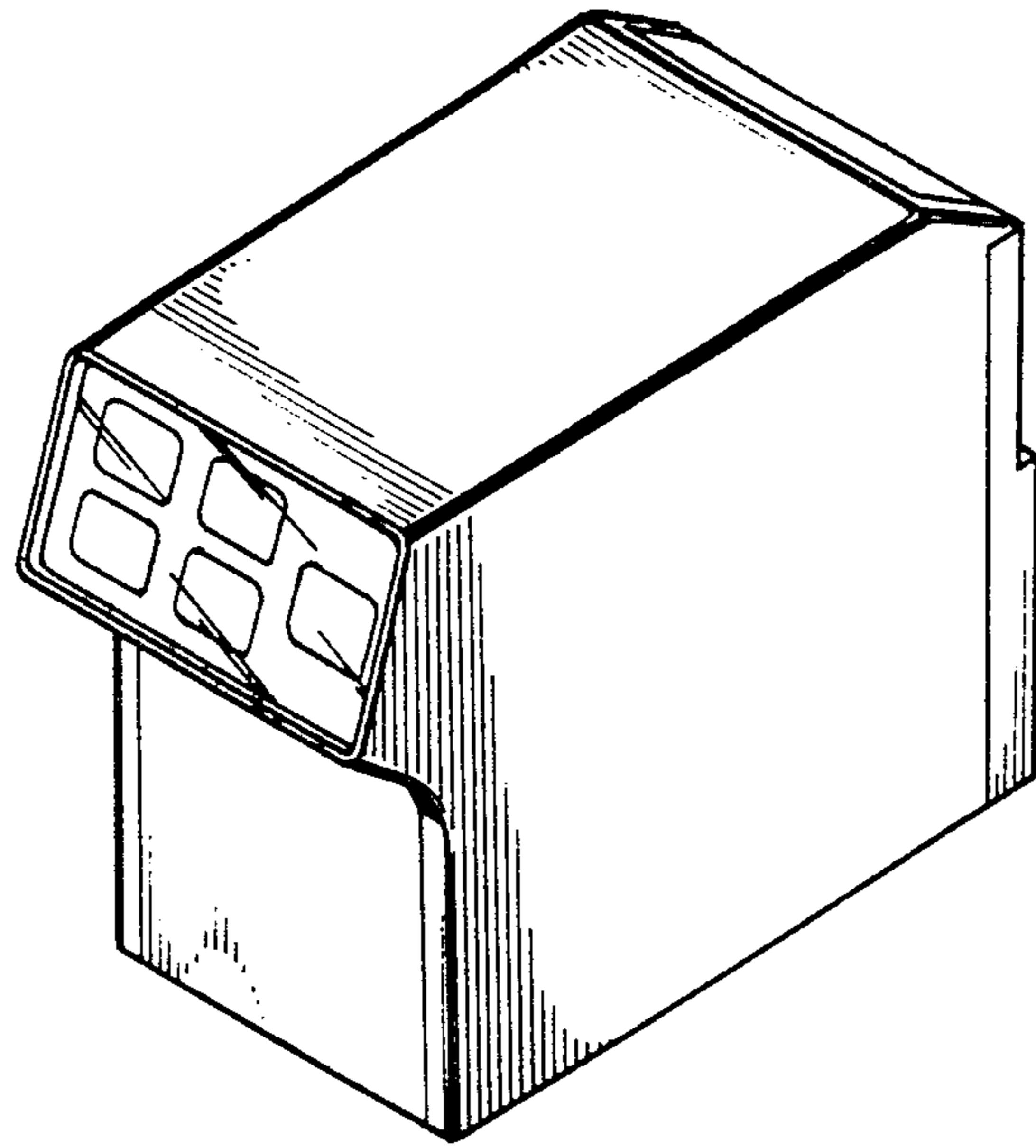


FIG 1

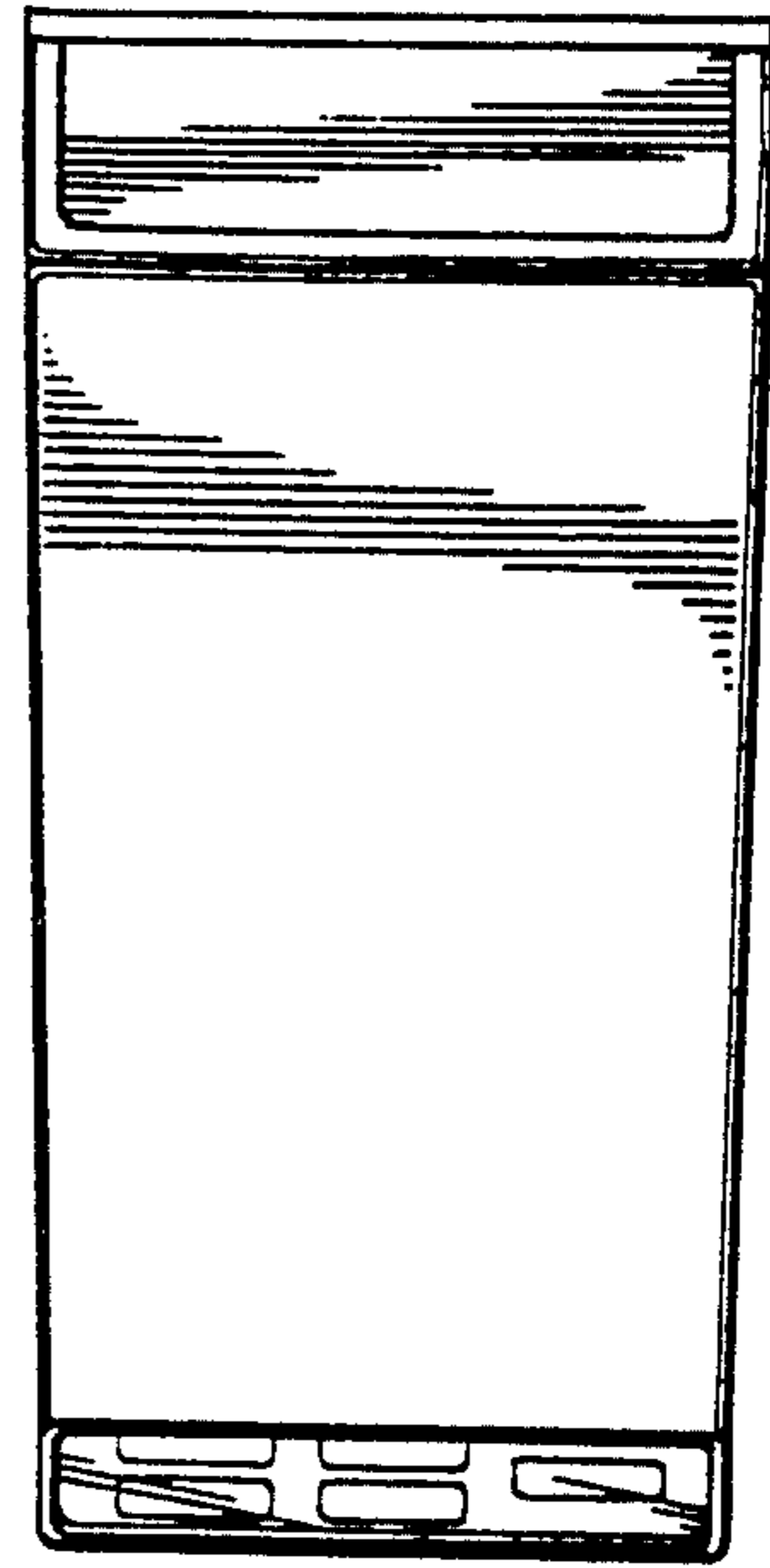


FIG 4

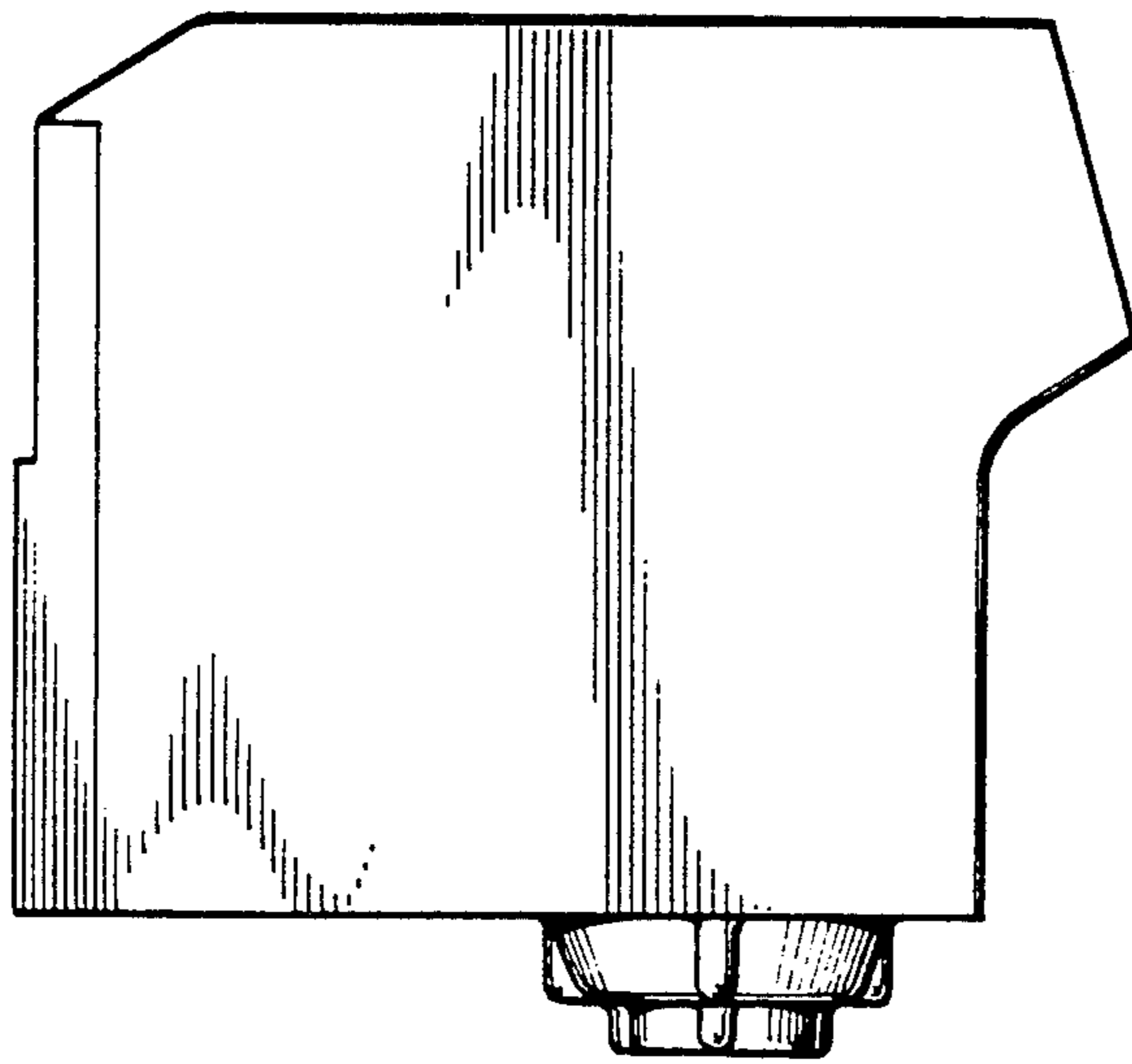


FIG 2

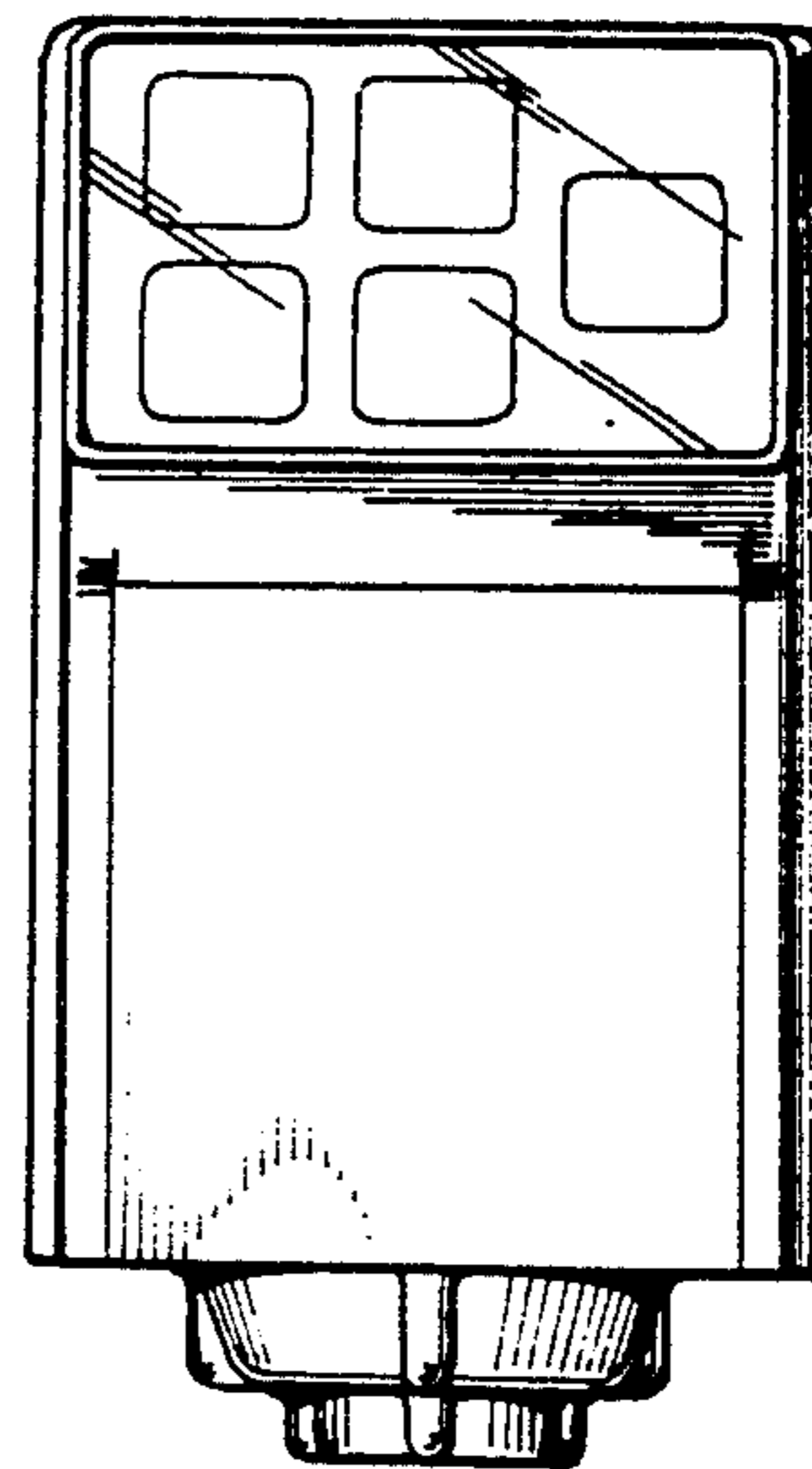


FIG 3

FIG 5

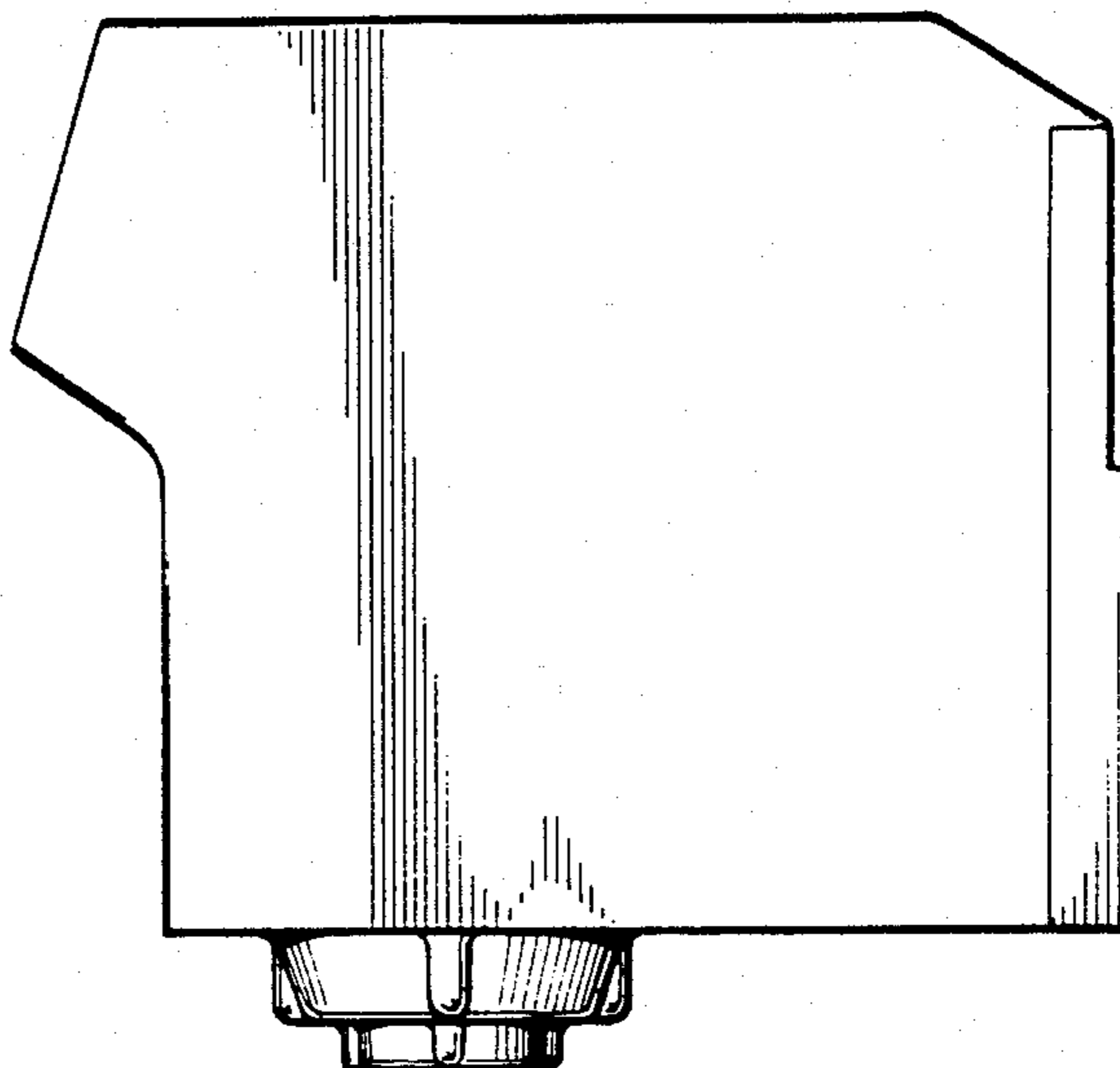


FIG 6

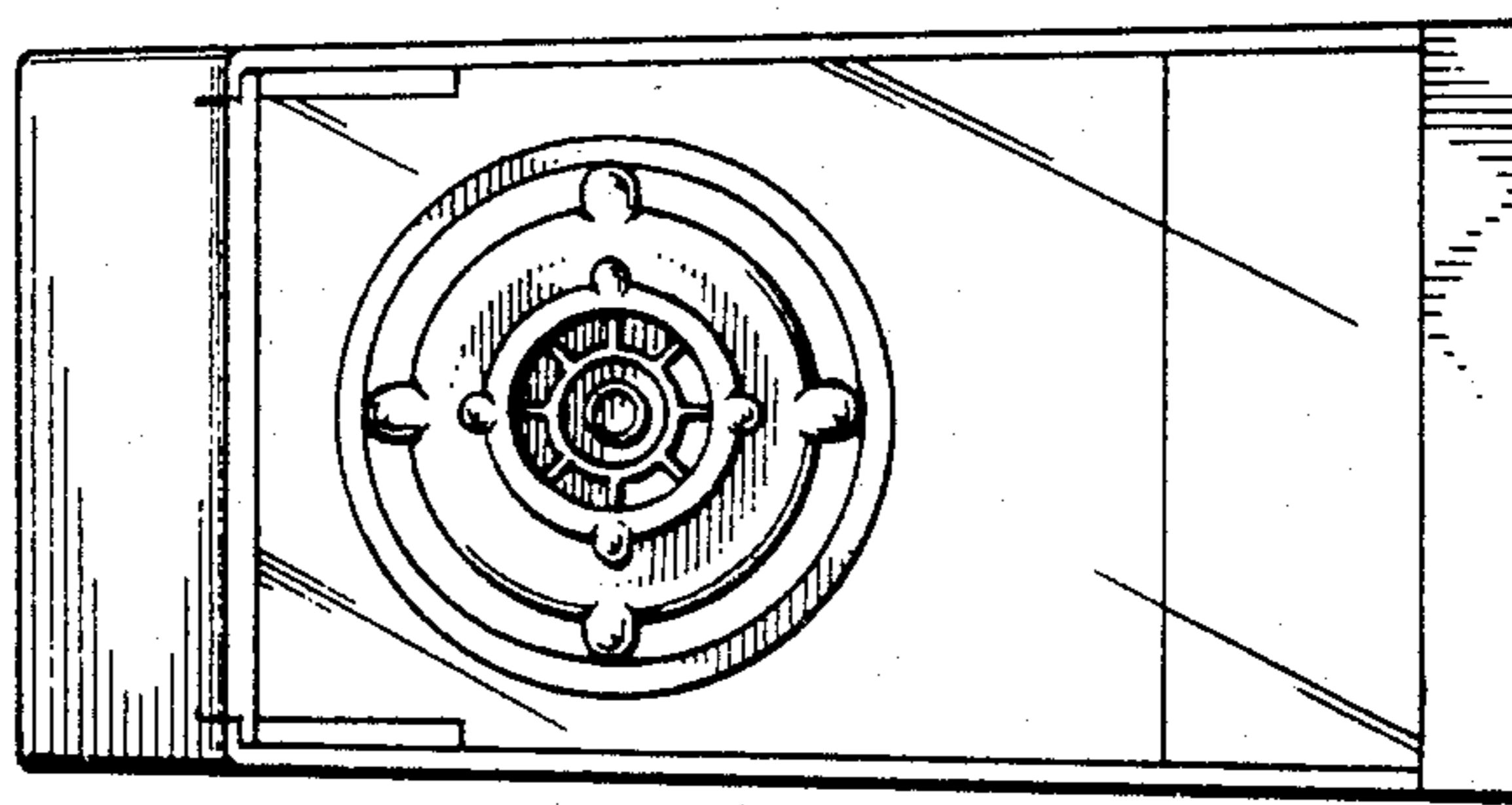


FIG 7

