

[54] BASE FOR A COOKING POT OR THE LIKE

2,230,488 2/1941 Gough 219/429
2,538,572 1/1951 Kolisch 219/441
3,505,498 4/1970 Shevlin 219/438 X

[75] Inventor: Yanta Lam, Kowloon, Hong Kong

[73] Assignee: Meyer Manufacturing Company Ltd.,
Hong Kong

Primary Examiner—Bernard Ansher
Assistant Examiner—Linda Titolo
Attorney, Agent, or Firm—Wood, Herron & Evans

[**] Term: 14 Years

[57] CLAIM

[21] Appl. No.: 496,615

The ornamental design for a base for a cooking pot or the like, as shown and described.

[22] Filed: May 20, 1983

[52] U.S. Cl. D7/387; D7/403

DESCRIPTION

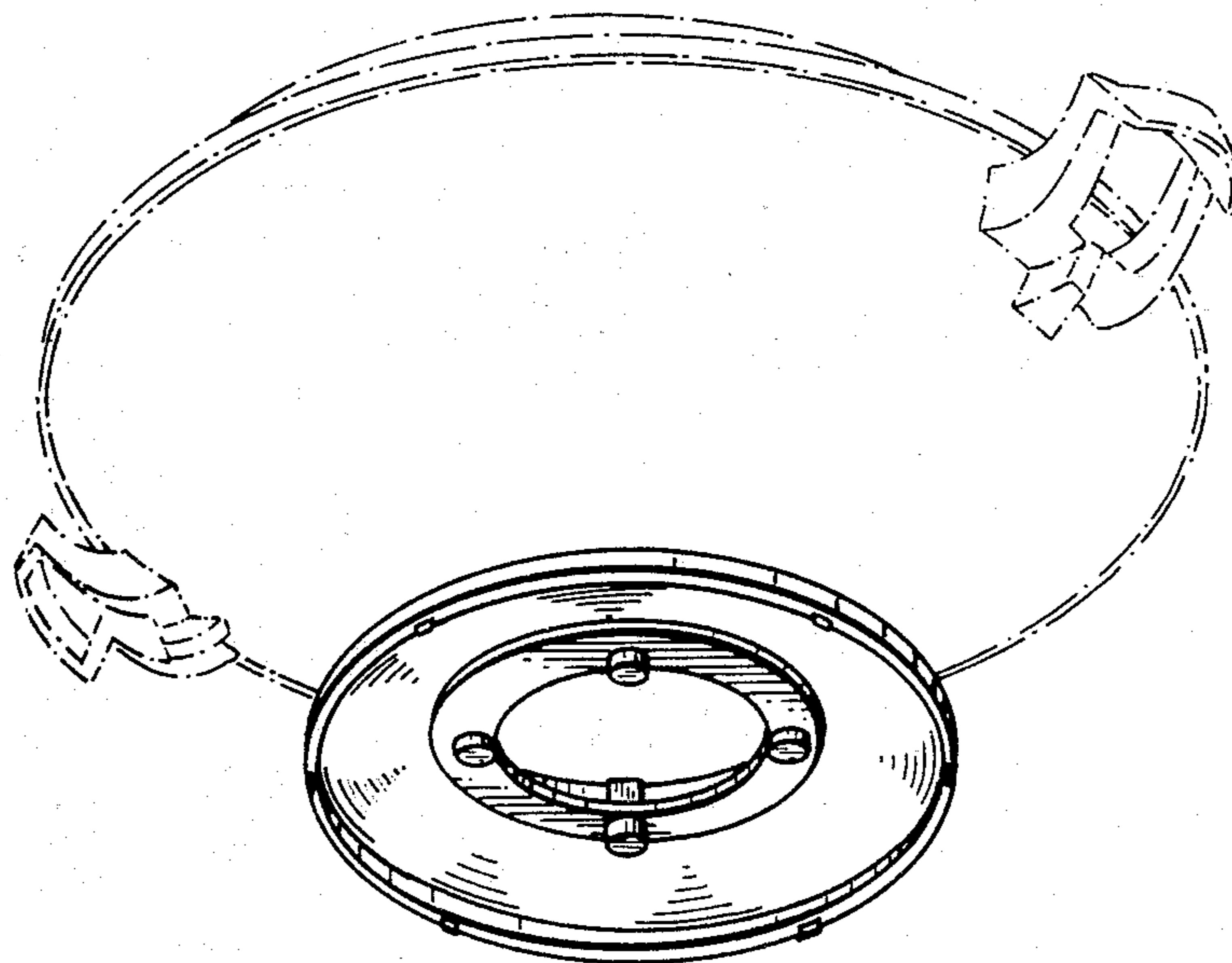
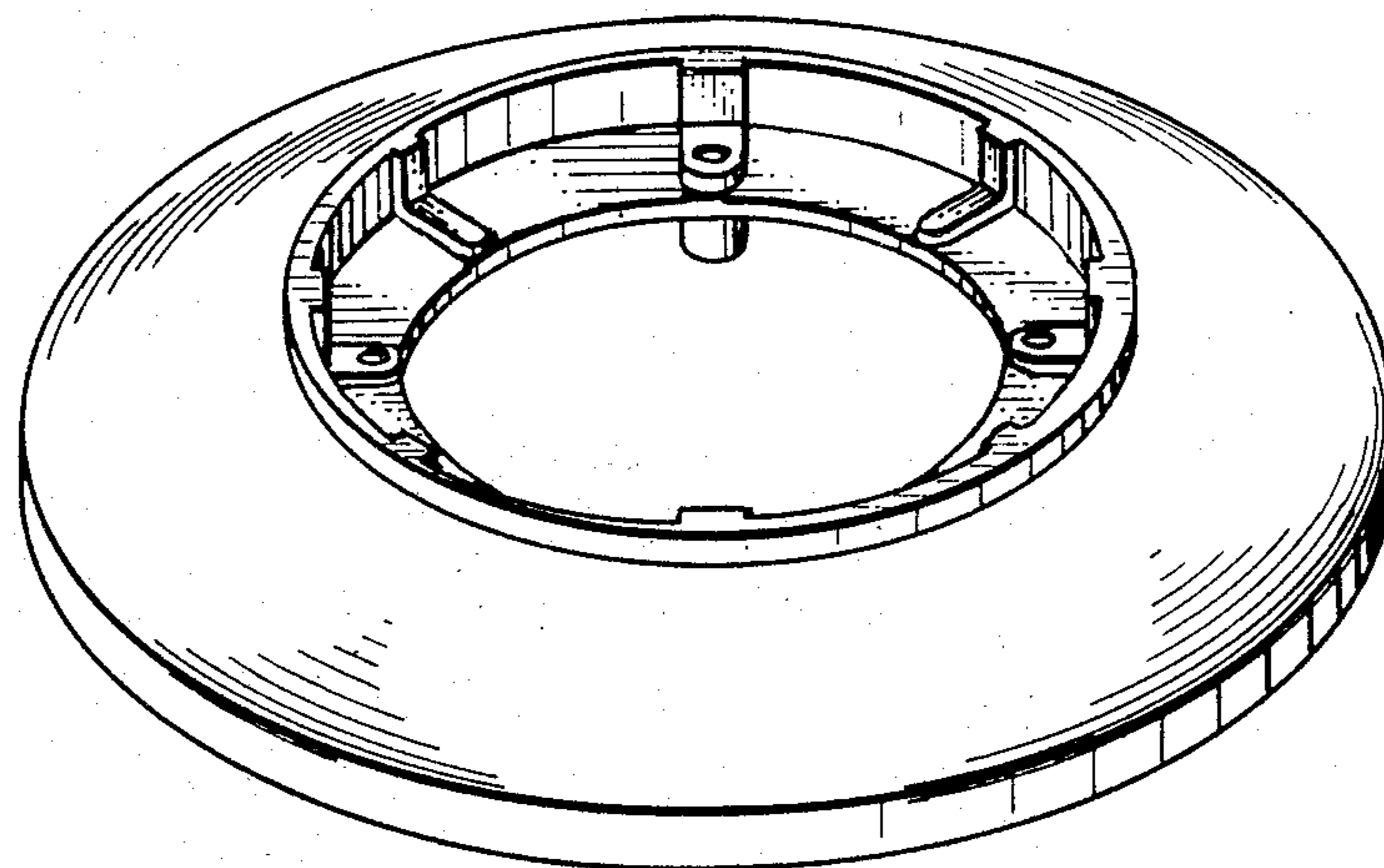
[58] Field of Search D7/387, 402, 403, 354,
D7/360, 355, 366; 211/74; 219/391, 429, 438;
248/346

FIG. 1 is a top front perspective view of a base for a cooking pot or the like, showing my new design;
FIG. 2 is a top plan view thereof;
FIG. 3 is a side elevational view thereof;
FIG. 4 is a bottom plan view thereof;
FIG. 5 is a cross-sectional view thereof taken on line 5—5 of FIG. 2; and
FIG. 6 is a bottom perspective view thereof with the cooking pot shown in broken lines for illustrative purposes only.

[56] References Cited

U.S. PATENT DOCUMENTS

D. 35,361	12/1901	Savage	D7/402
D. 250,931	1/1979	Pierce	D7/408
D. 276,493	11/1984	Cesaroni	D7/355
1,622,587	3/1927	Housel	D7/360 X



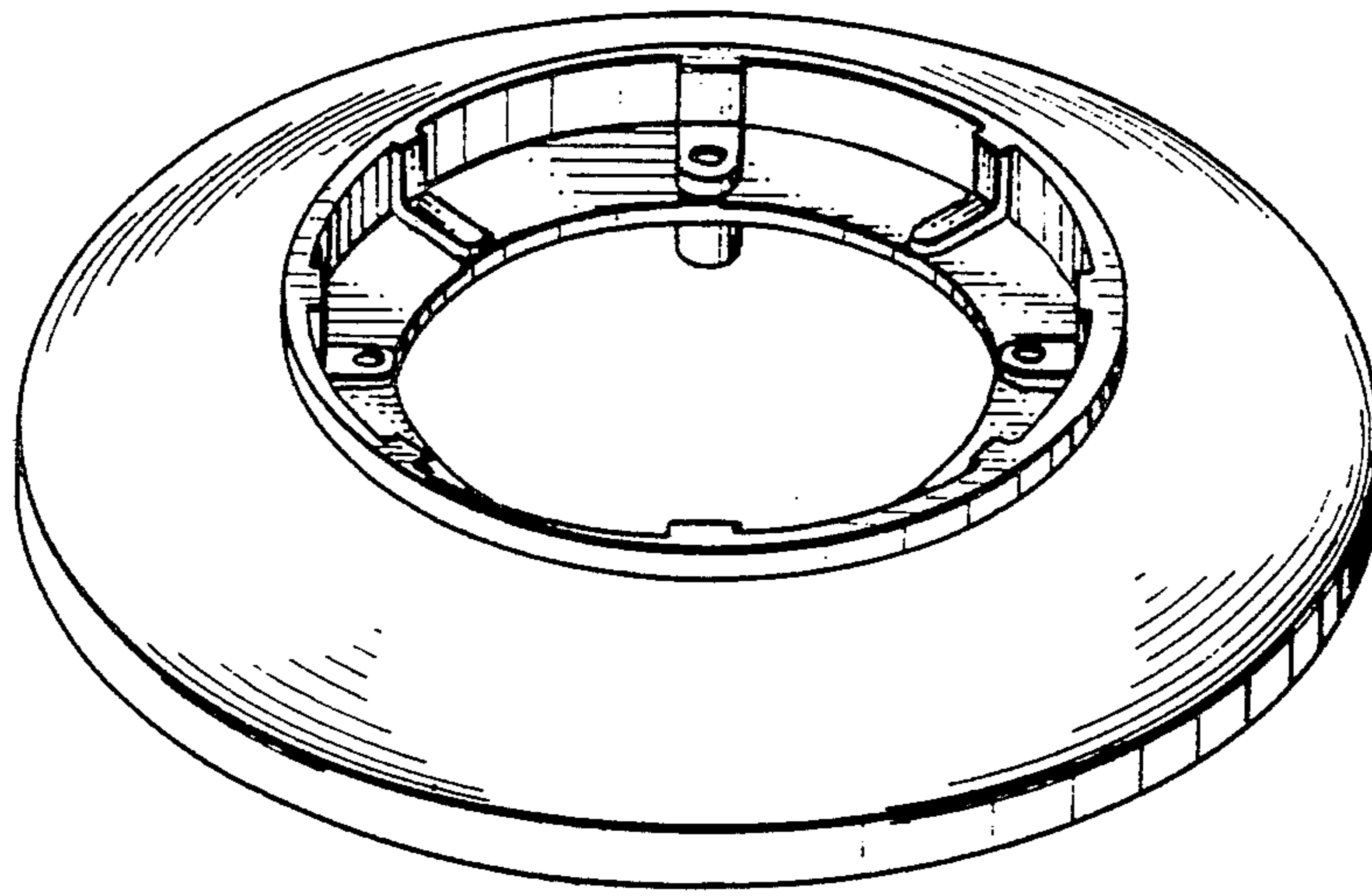


FIG. 1

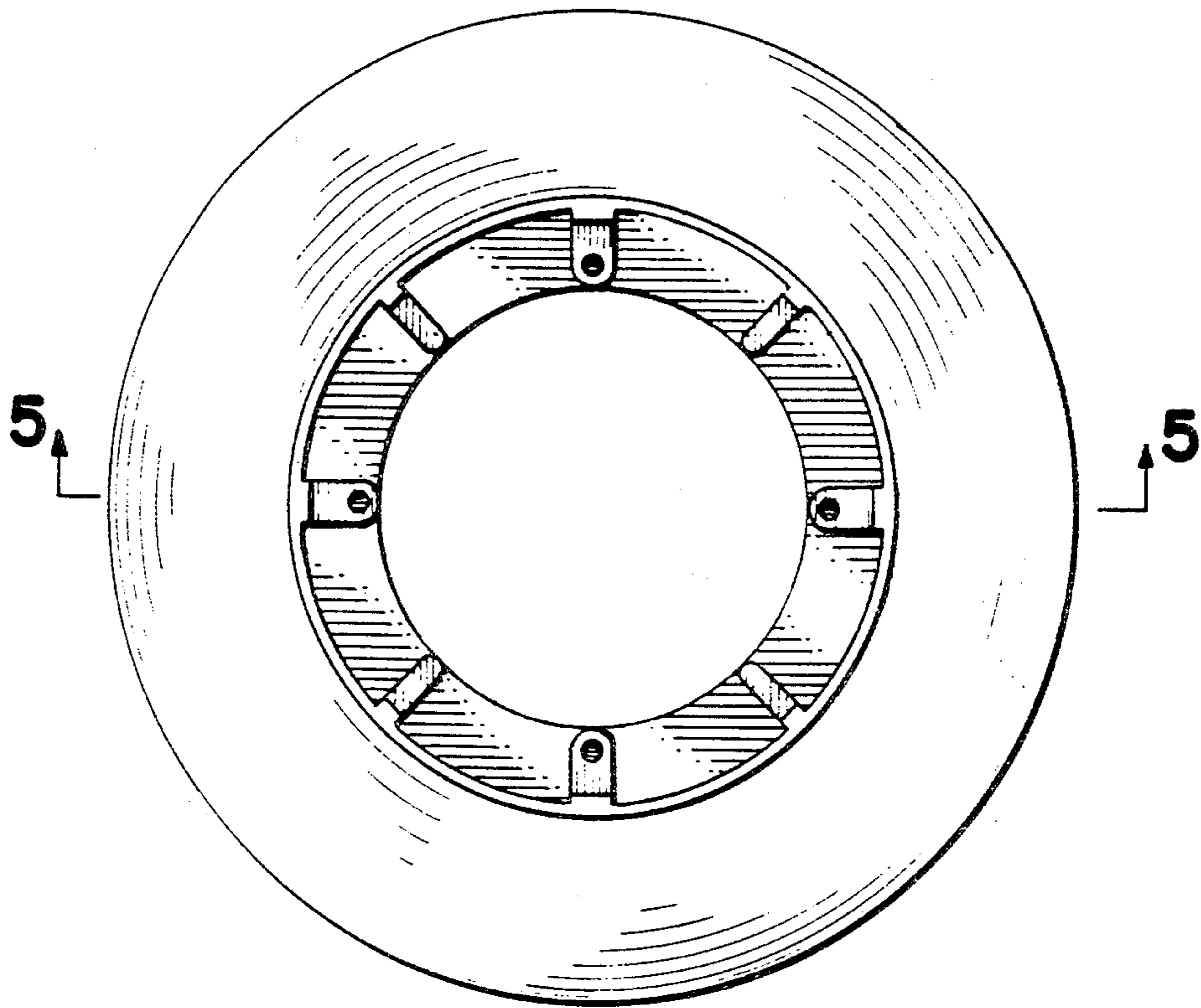


FIG. 2

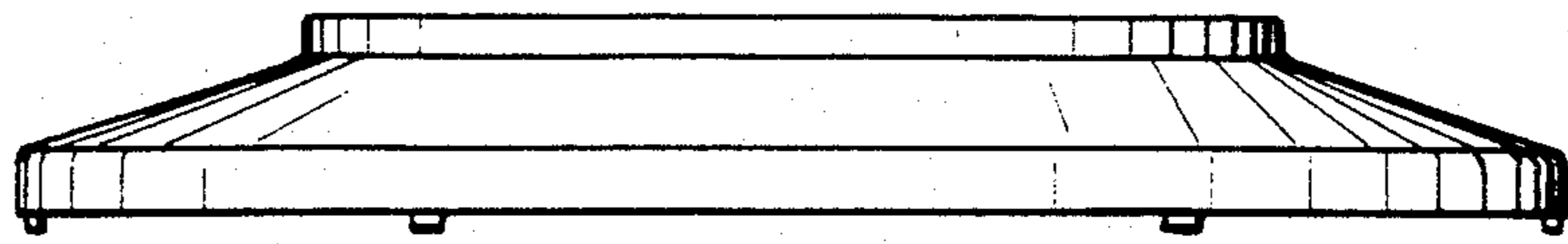


FIG. 3

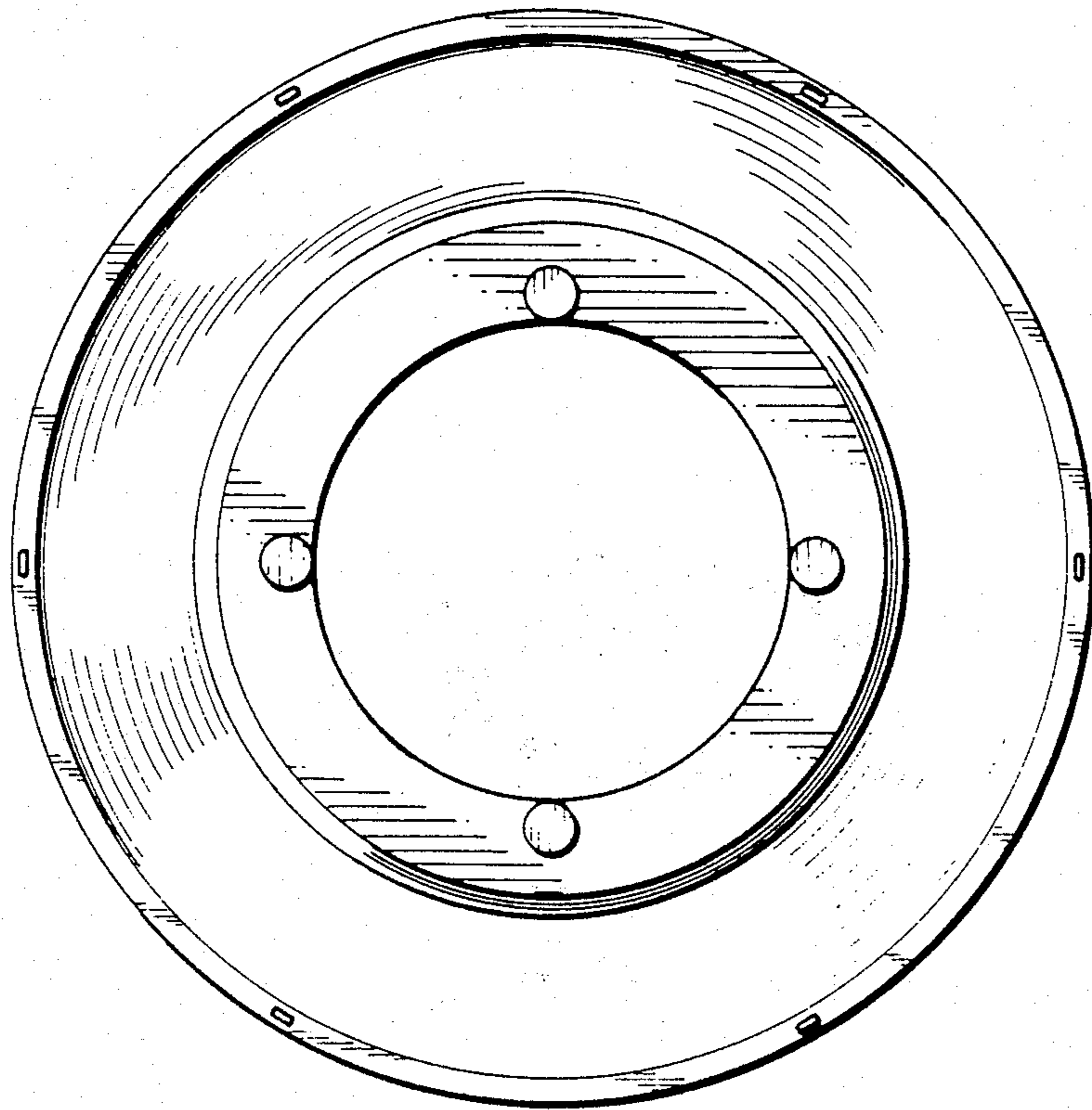


FIG. 4

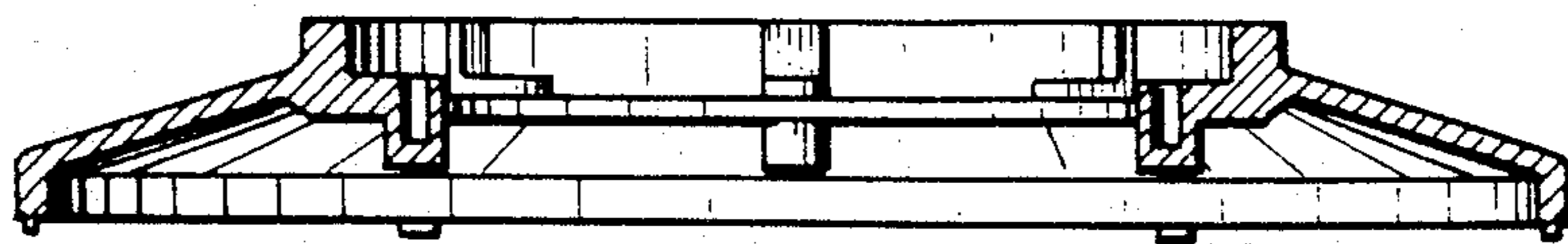


FIG. 5

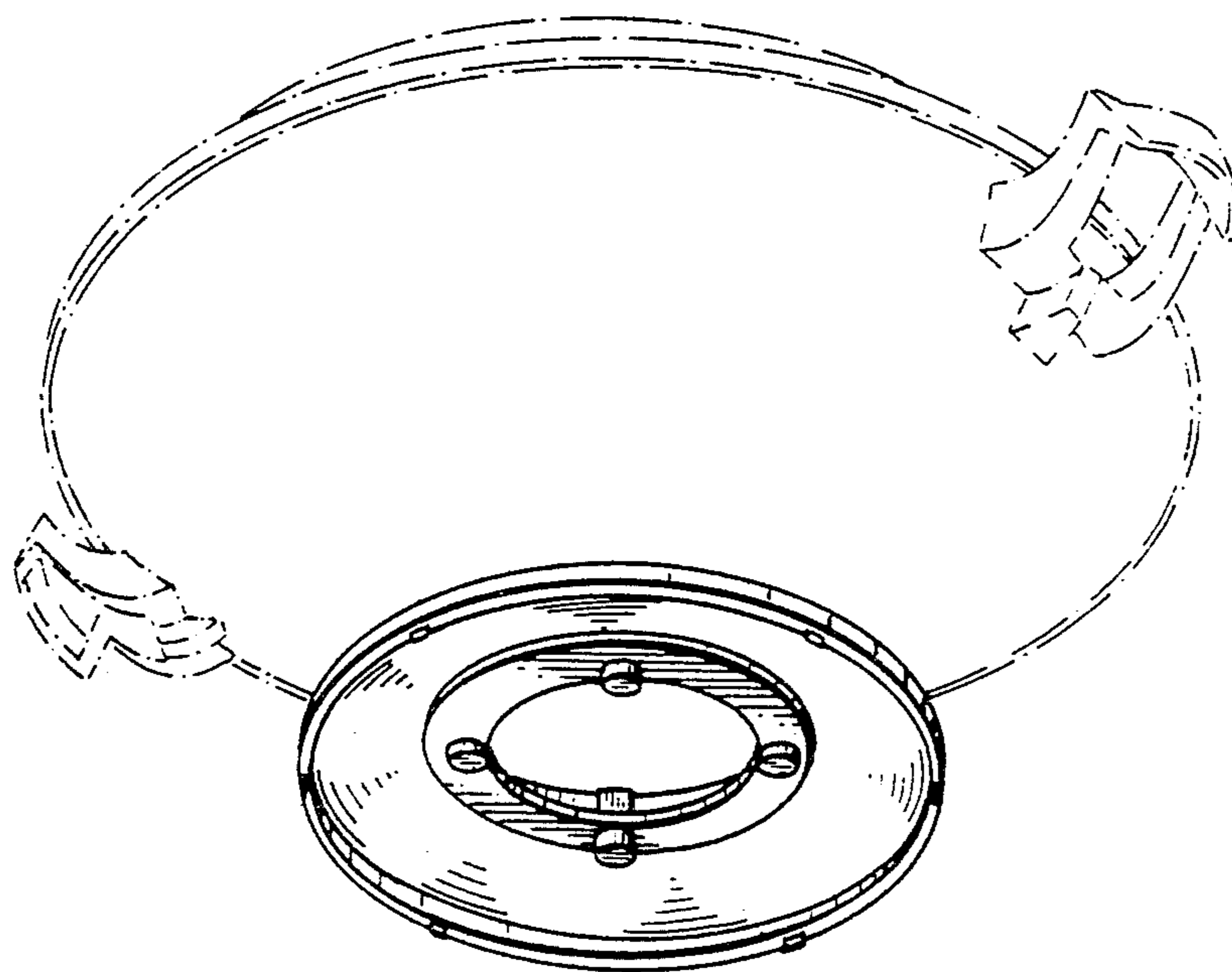


FIG. 6