

[54] ADJUSTABLE CARRIER FOR CONTAINERS

[75] Inventor: Augusto A. Picozza, Johnston, R.I.

[73] Assignee: Dart Industries Inc., Northbrook, Ill.

[\*\*] Term: 14 Years

[21] Appl. No.: 493,476

[22] Filed: May 11, 1983

[52] U.S. Cl. .... D7/70

[58] Field of Search ..... D7/70, 71, 39, 393, D7/20; 294/161-163; D34/44; 220/4 D; 206/503, 203; D8/394

[56] References Cited

U.S. PATENT DOCUMENTS

D. 114,034	3/1939	Washburn	.....	D34/44
D. 136,189	8/1943	Reams	.....	D3/30.1
D. 201,798	8/1965	Miller	.....	D8/394
D. 204,545	4/1966	Geisinger	.....	D8/394
D. 208,729	9/1967	Geisinger	.....	D8/394
D. 224,960	10/1972	Wilson	.....	D8/394
D. 294,217	2/1984	Foos	.....	294/170
1,065,633	6/1913	Stone	.....	294/161
1,093,450	4/1914	McLaughlin	.....	294/161 X
1,338,066	4/1920	Blocker	.....	294/168
1,490,973	4/1924	Hodgson	.....	206/503
1,499,077	6/1924	Puciato	.....	294/170
1,852,195	4/1932	Shaw	.....	294/168
2,685,992	8/1954	Cornell	.....	294/32

Primary Examiner—Bernard Ansher

Assistant Examiner—Terry Pfeffer

Attorney, Agent, or Firm—A. Lewis Worthem, Jr.

[57] CLAIM

The ornamental design for an adjustable carrier for containers, as shown and described.

DESCRIPTION

FIG. 1 is a top perspective view of an adjustable carrier for containers showing my new design;  
 FIG. 2 is a bottom perspective view taken from the opposite side thereof;  
 FIG. 3 is a top plan view thereof;  
 FIG. 4 is a bottom plan view thereof;  
 FIG. 5 is a front elevational view thereof;  
 FIG. 6 is a side elevational view thereof;  
 FIG. 7 is a perspective detail of an upper portion thereof with a section of the handle removed;  
 FIG. 8 is a top perspective view of a second embodiment thereof;  
 FIG. 9 is a bottom perspective view of the embodiment of FIG. 8;  
 FIG. 10 is a top plan view of the embodiment of FIG. 8;  
 FIG. 11 is a bottom plan view of the embodiment of FIG. 8;  
 FIG. 12 is a front elevational view of the embodiment of FIG. 8;  
 FIG. 13 is a side elevational view of the embodiment of FIG. 8; and  
 FIG. 14 is a perspective detail of an upper portion of the embodiment of FIG. 8 with a section of the handle removed.

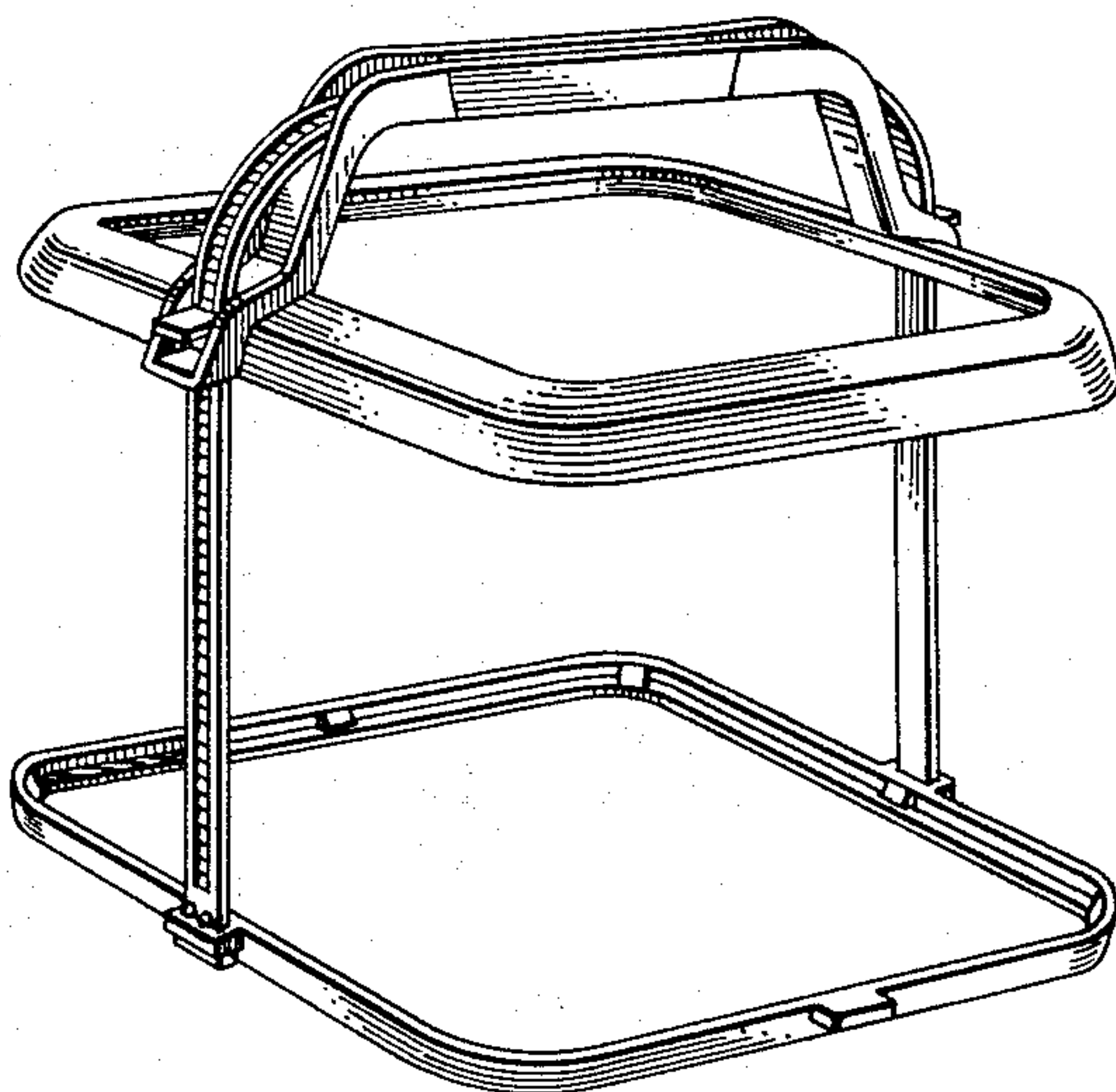
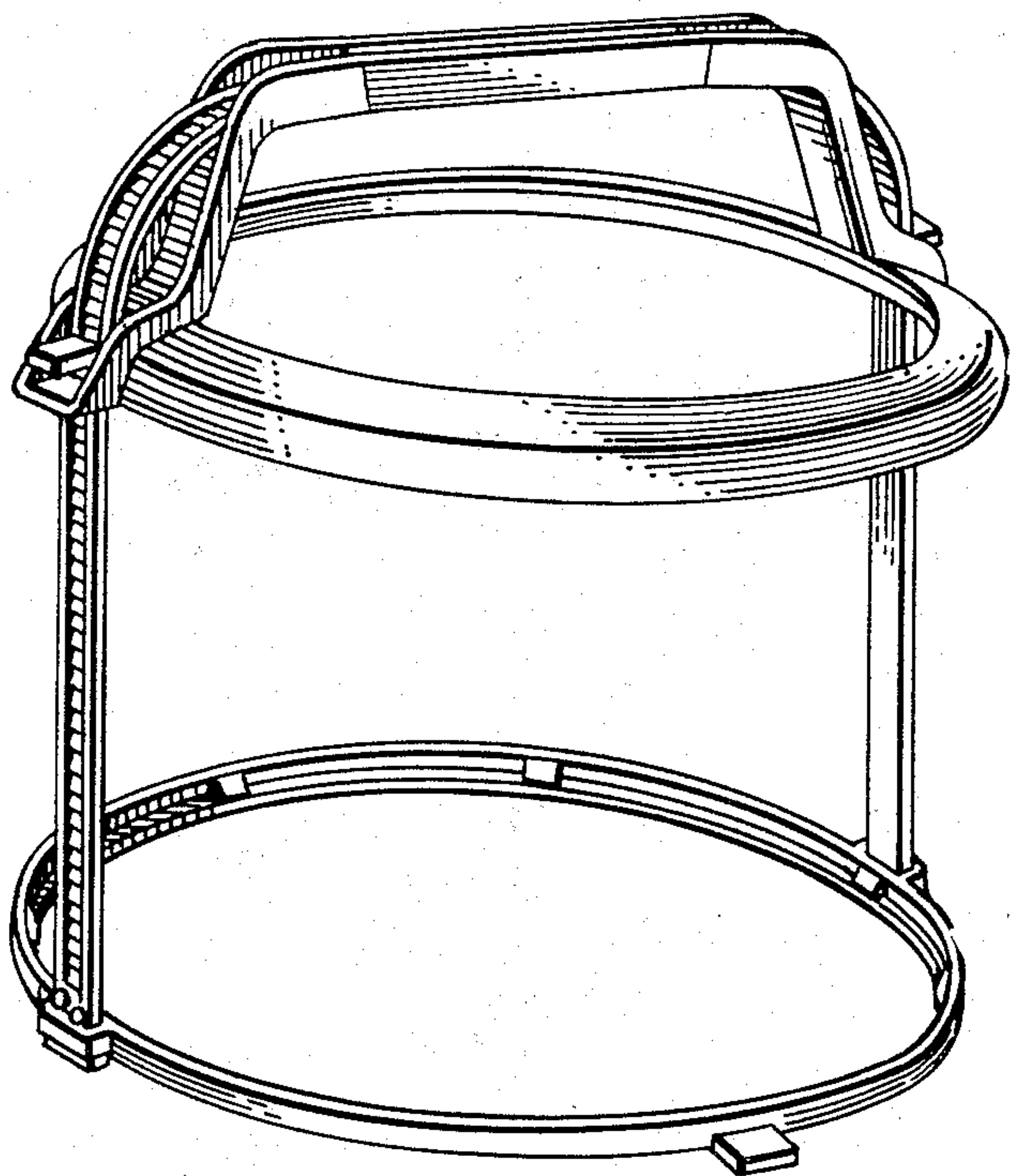


FIG. 1

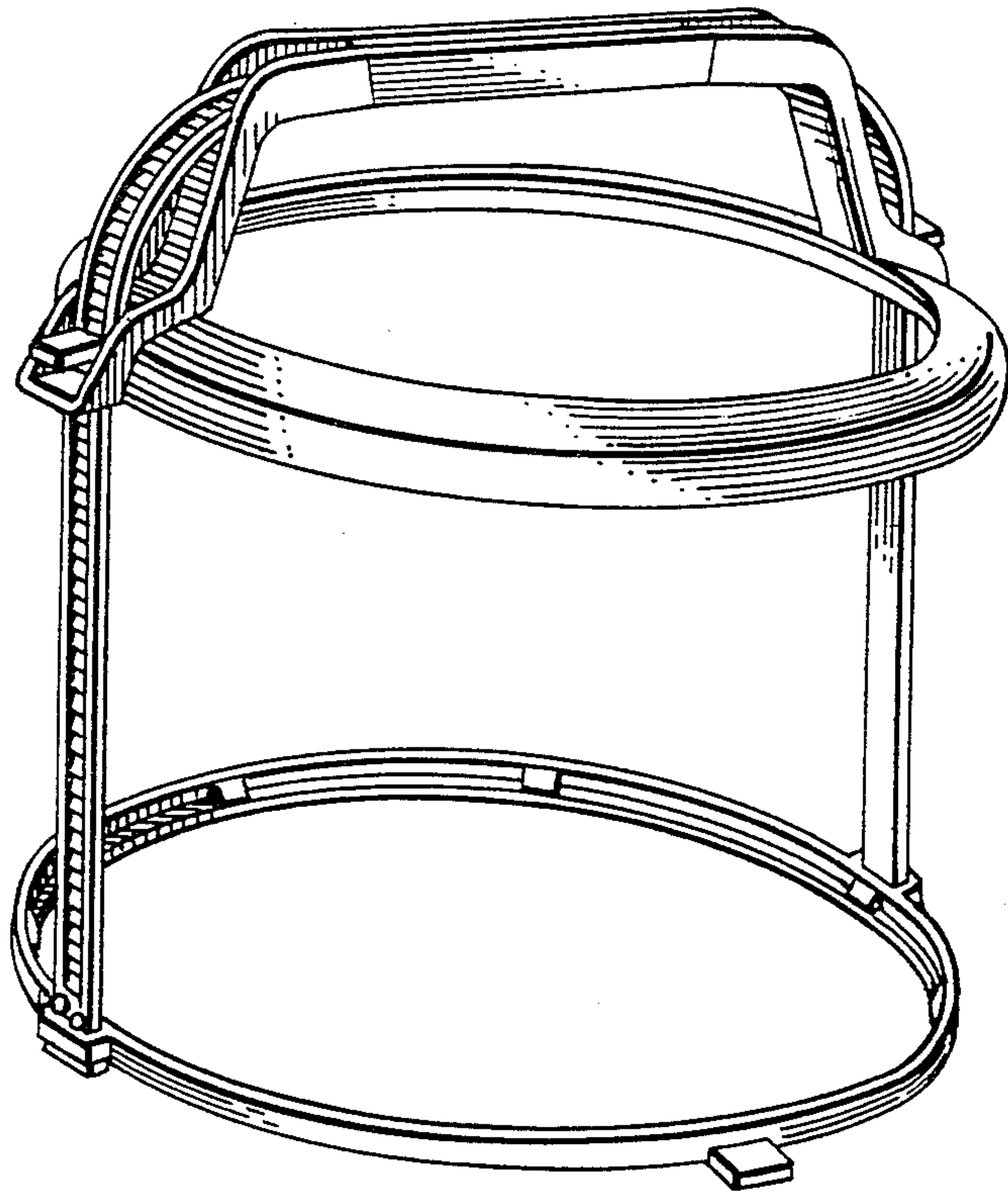


FIG. 2

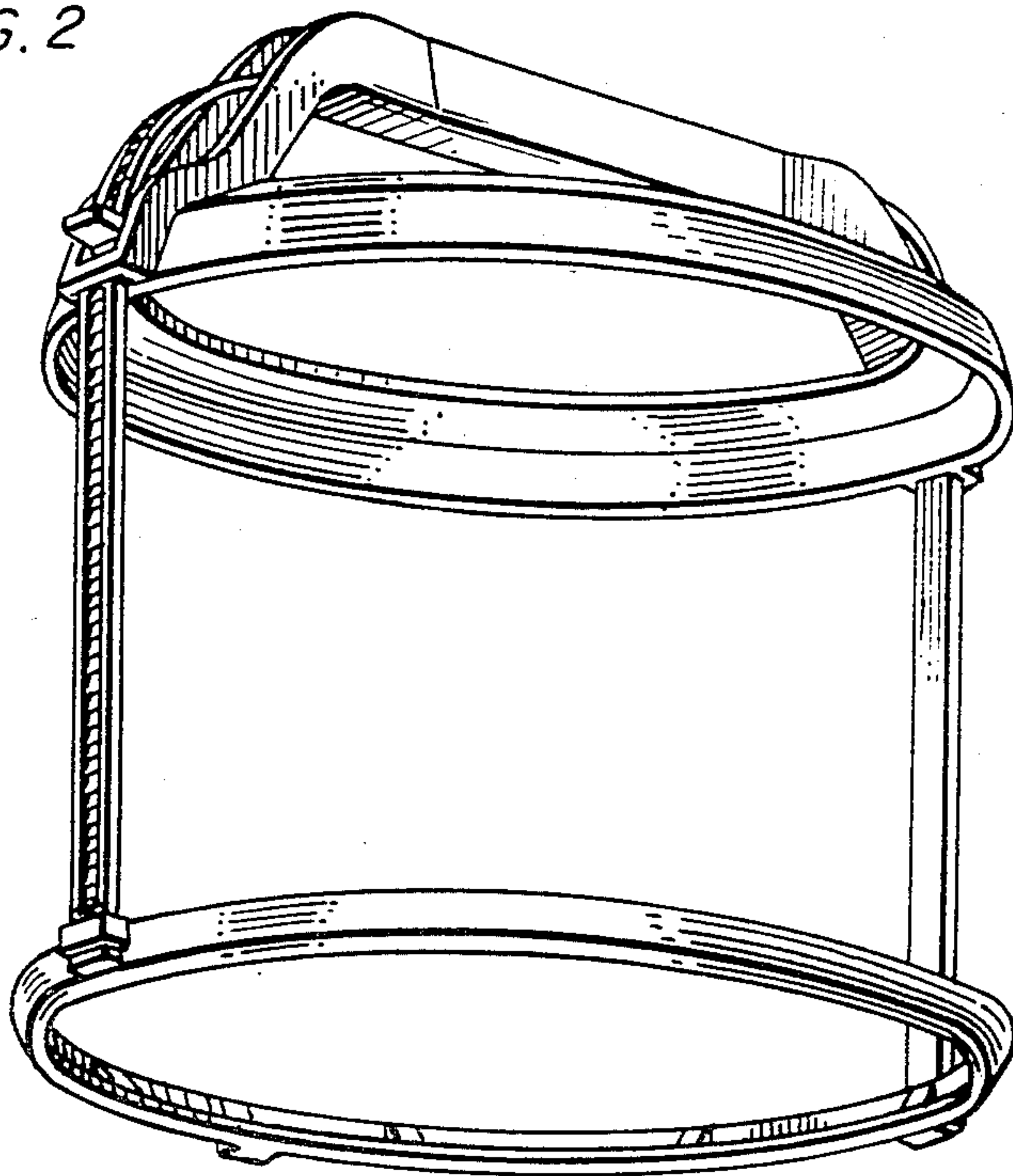




FIG. 3

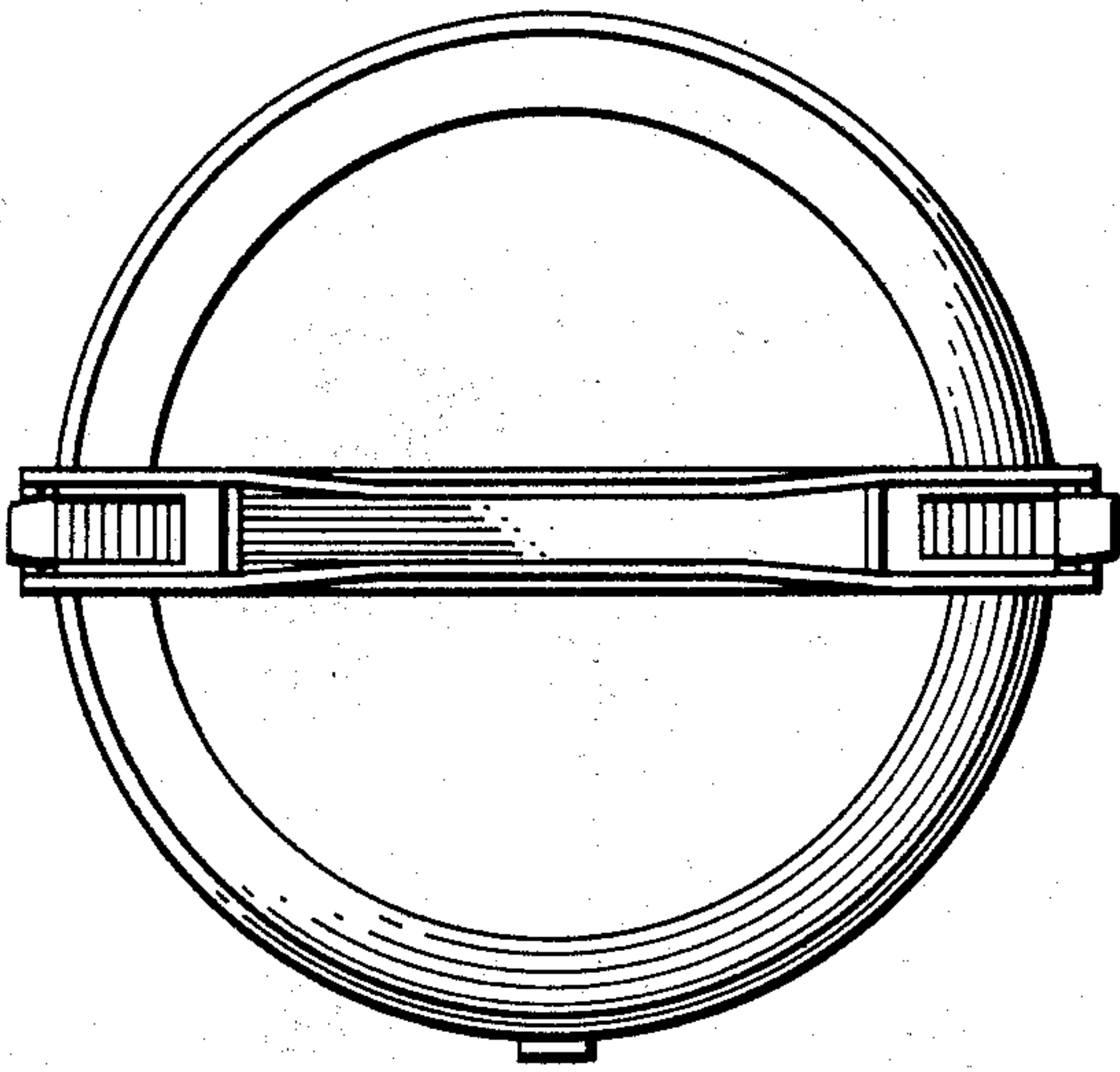


FIG. 4

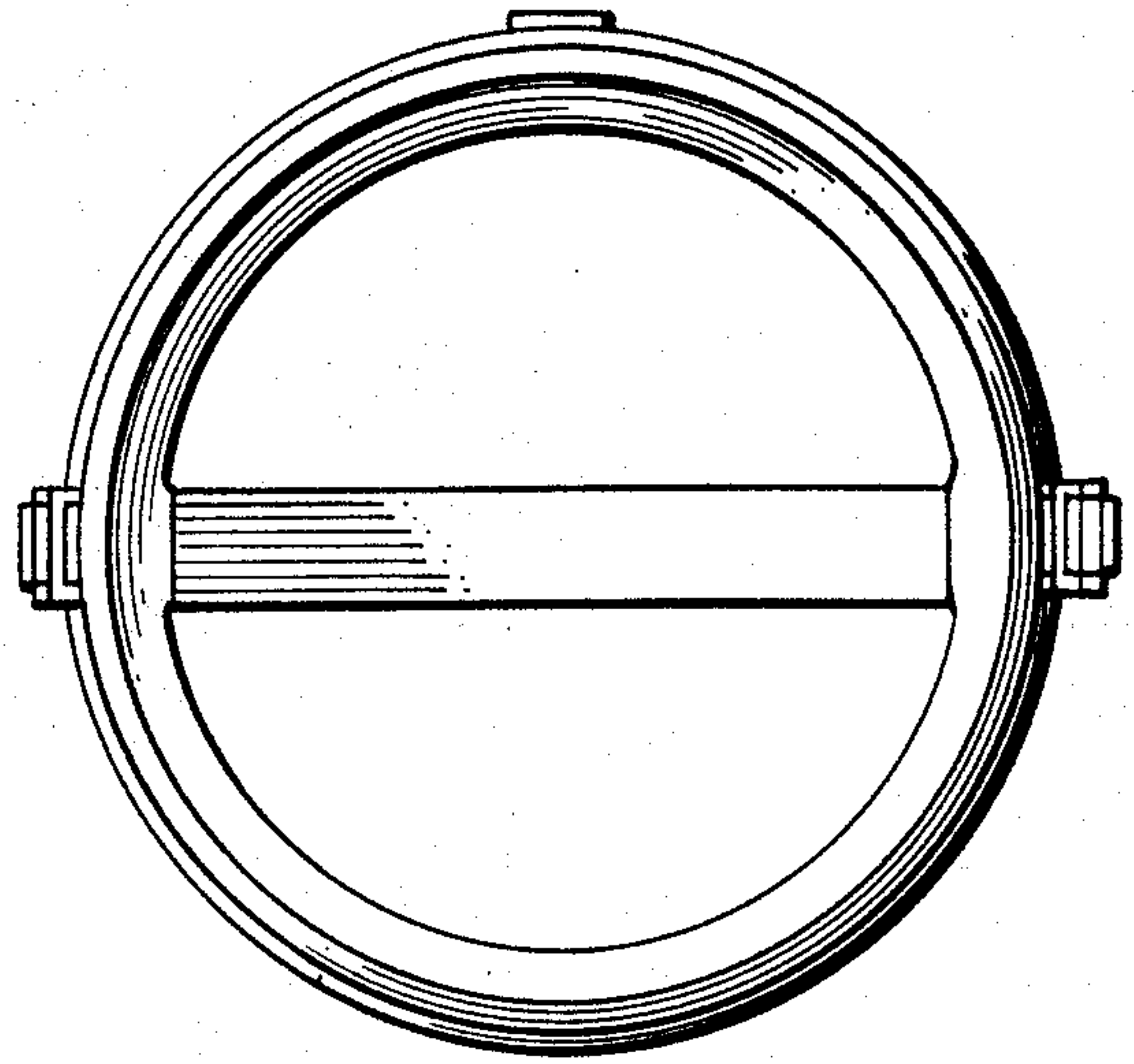


FIG. 5

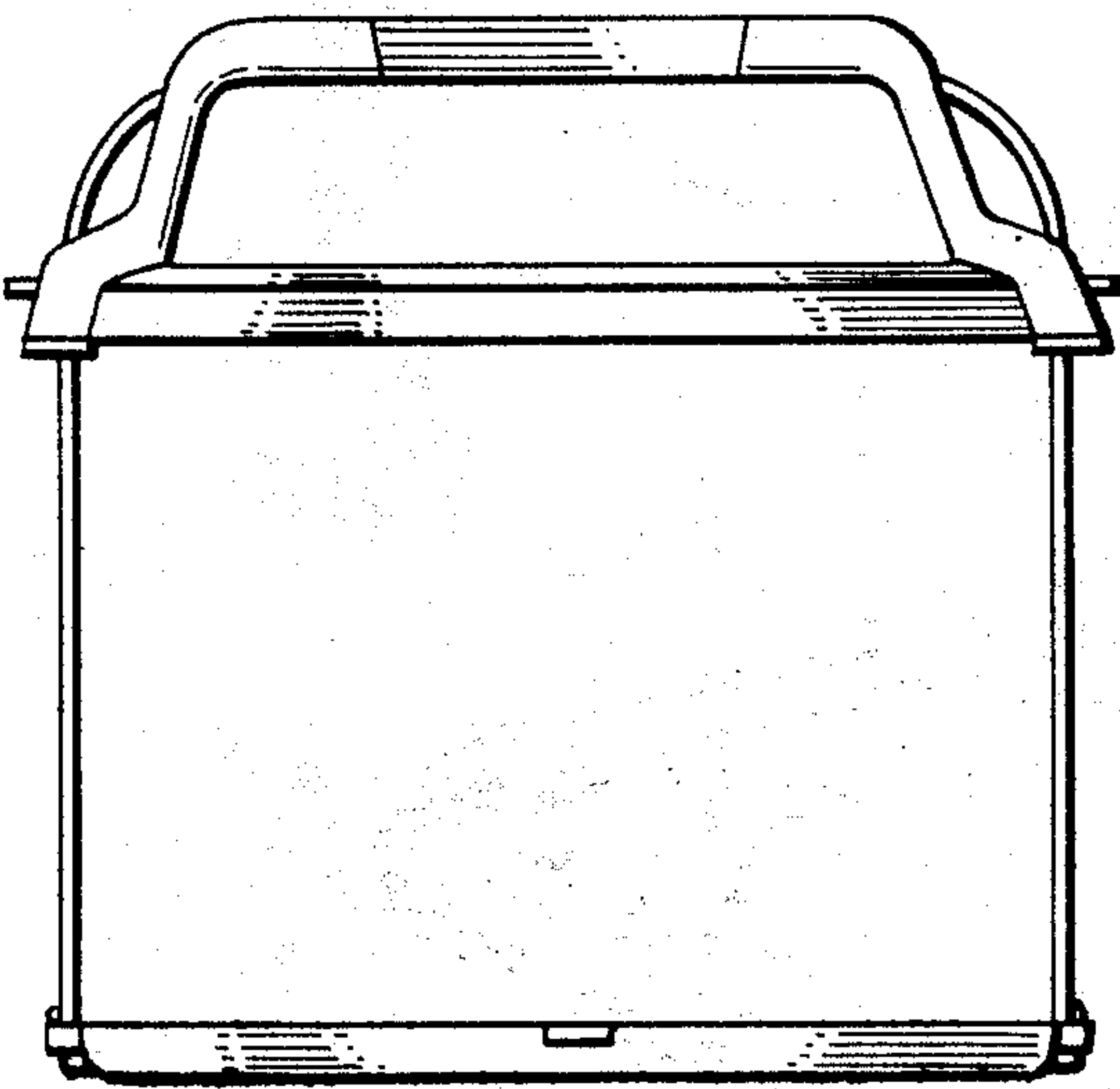


FIG. 6

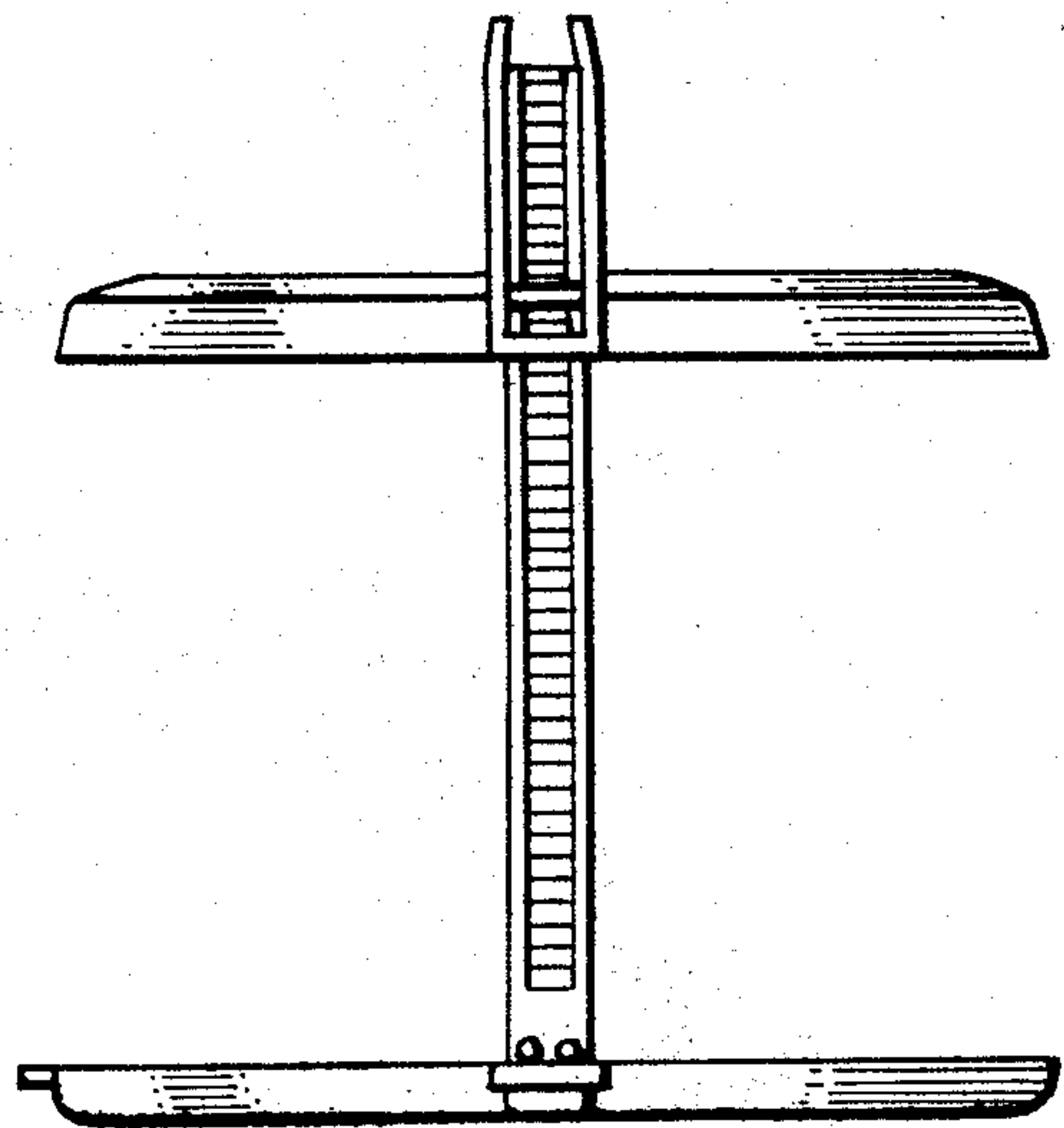


FIG. 7

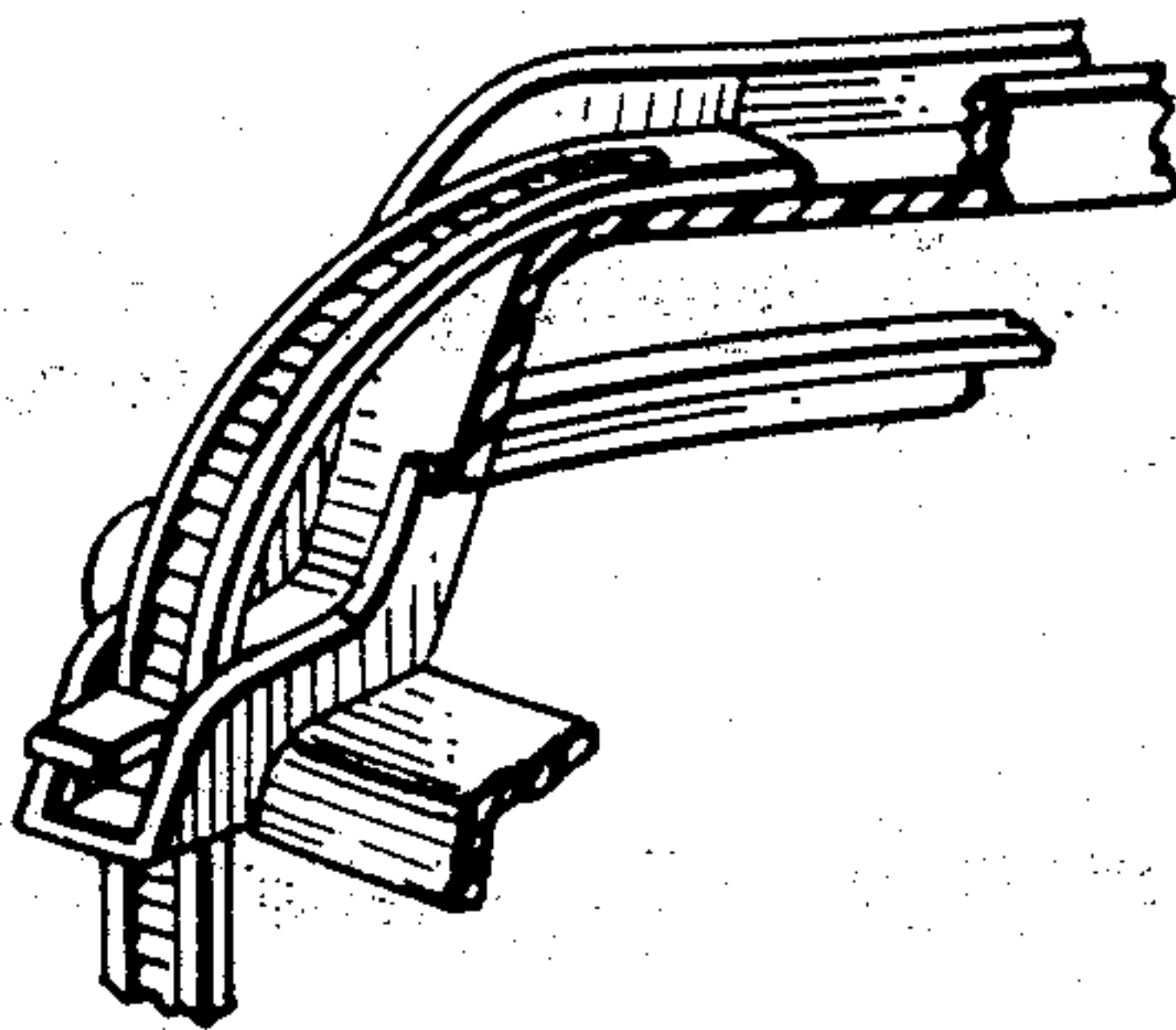


FIG. 8

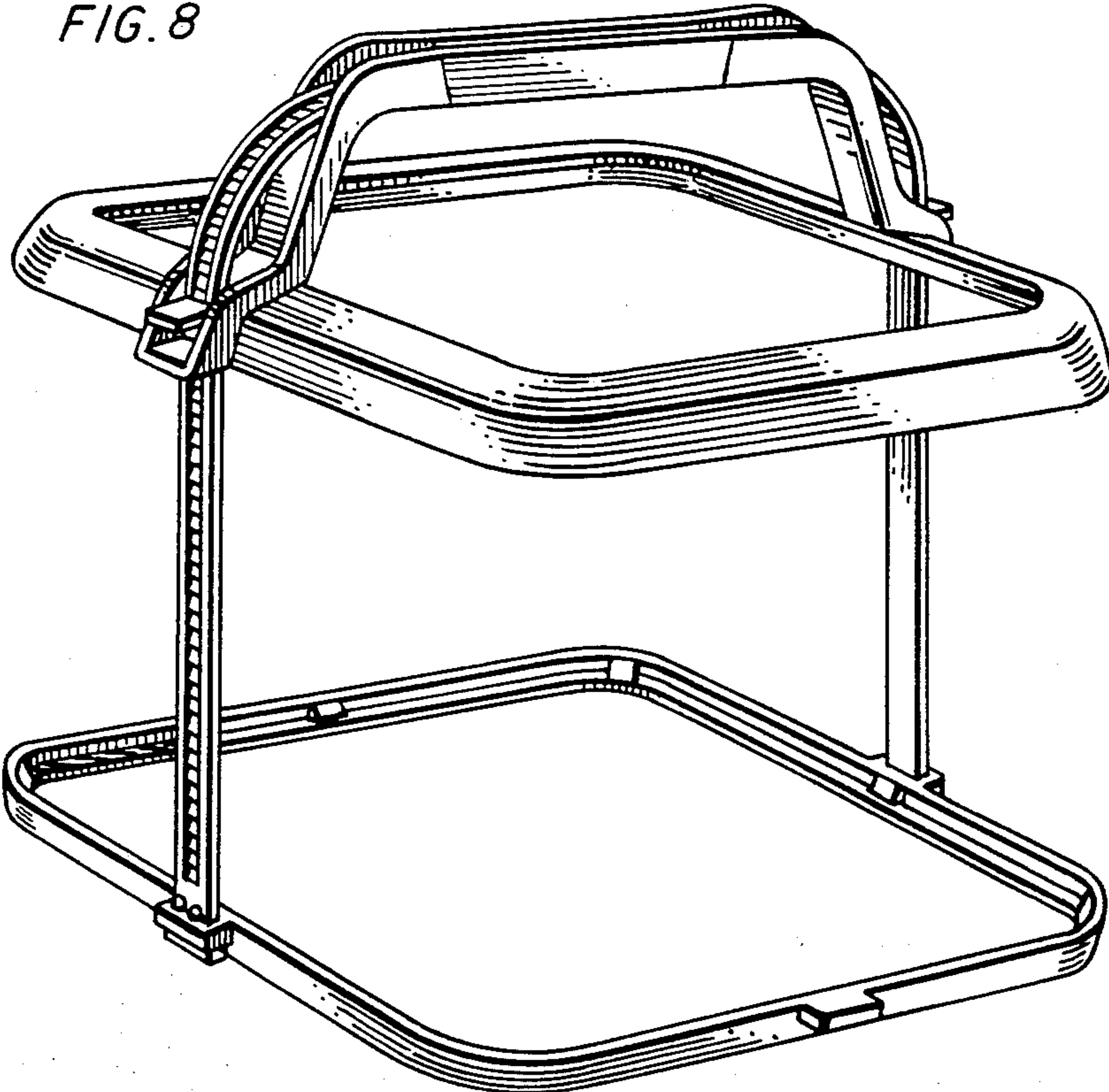


FIG. 9

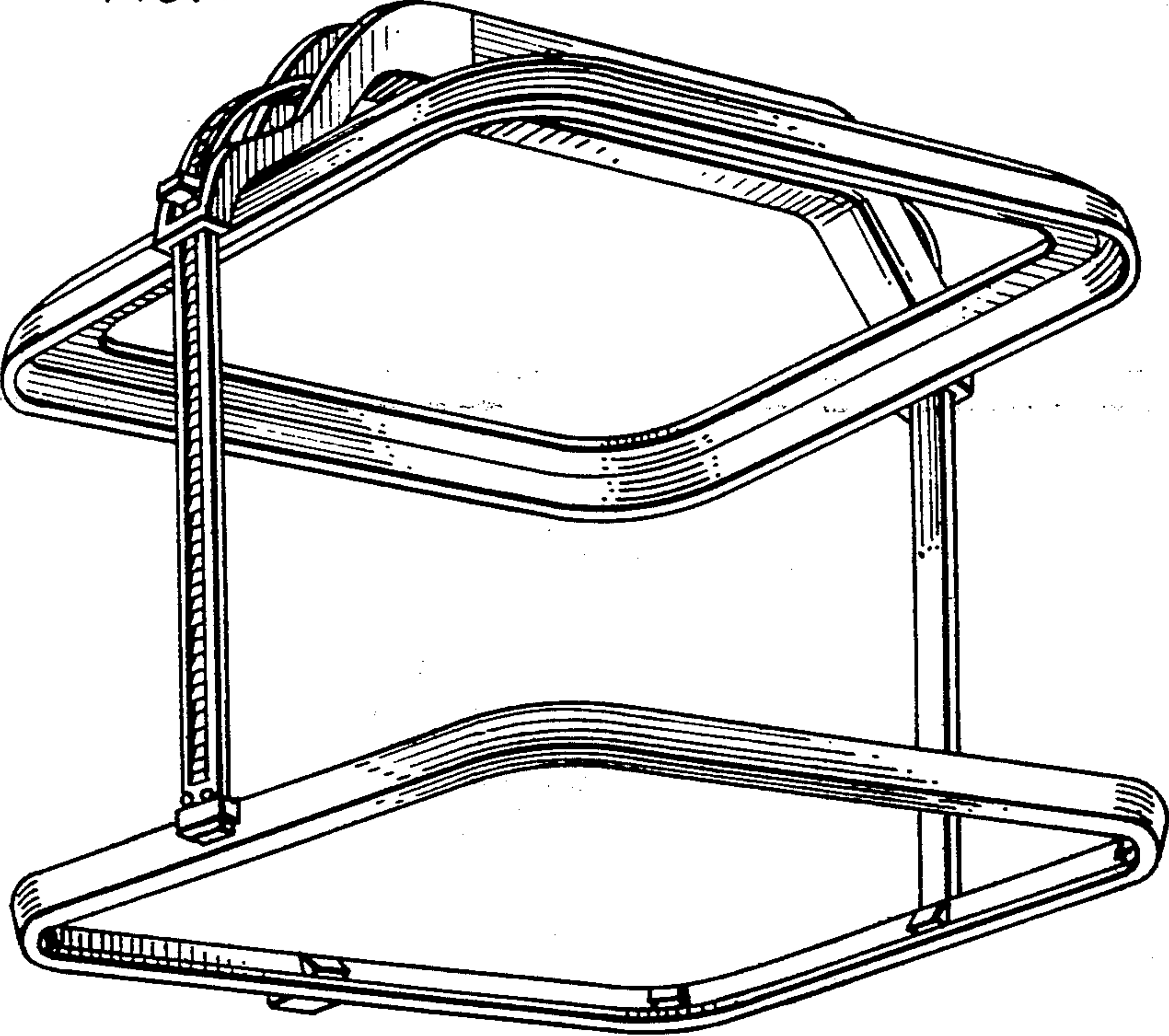


FIG. 10

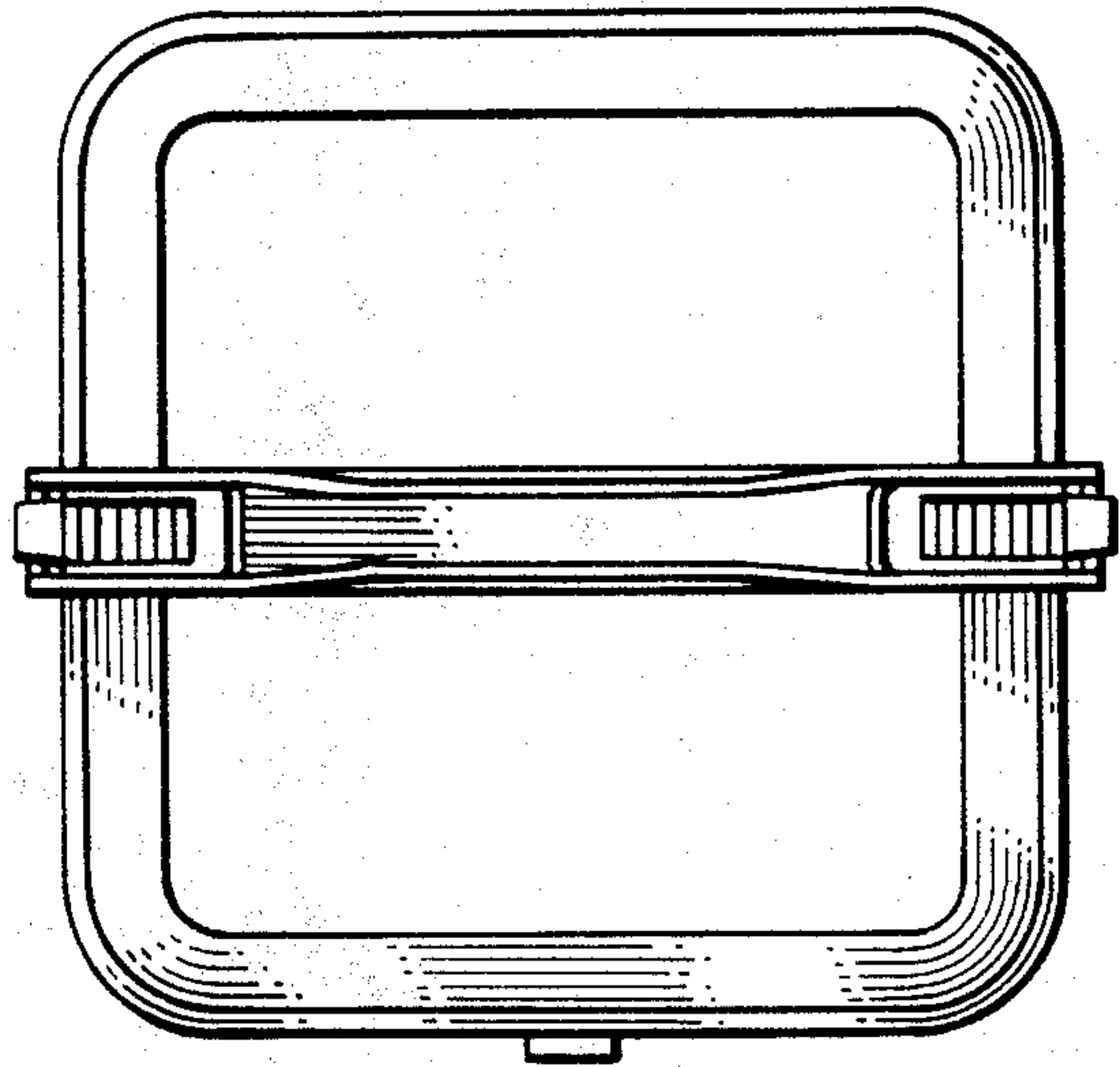


FIG. 11

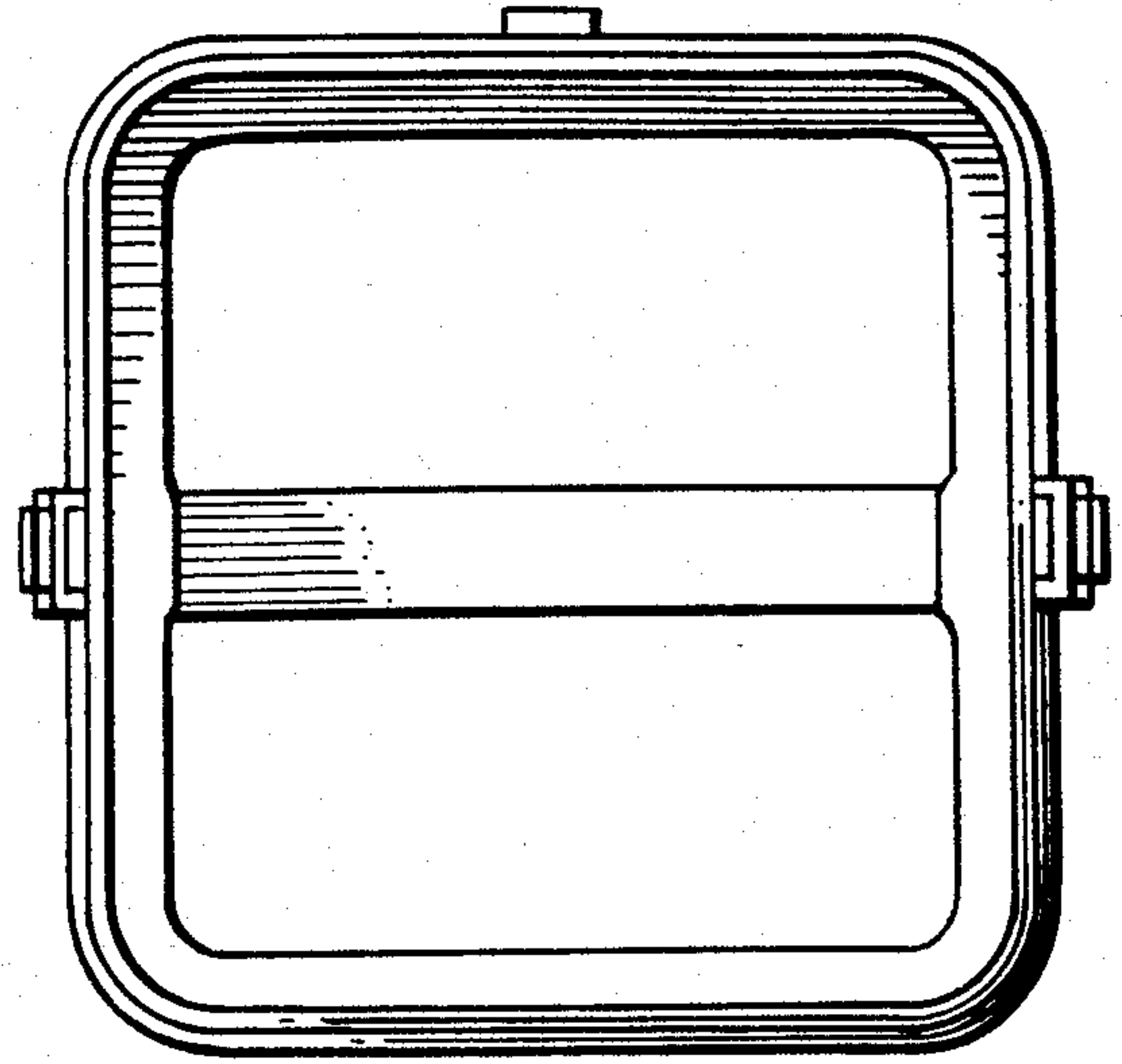


FIG. 12

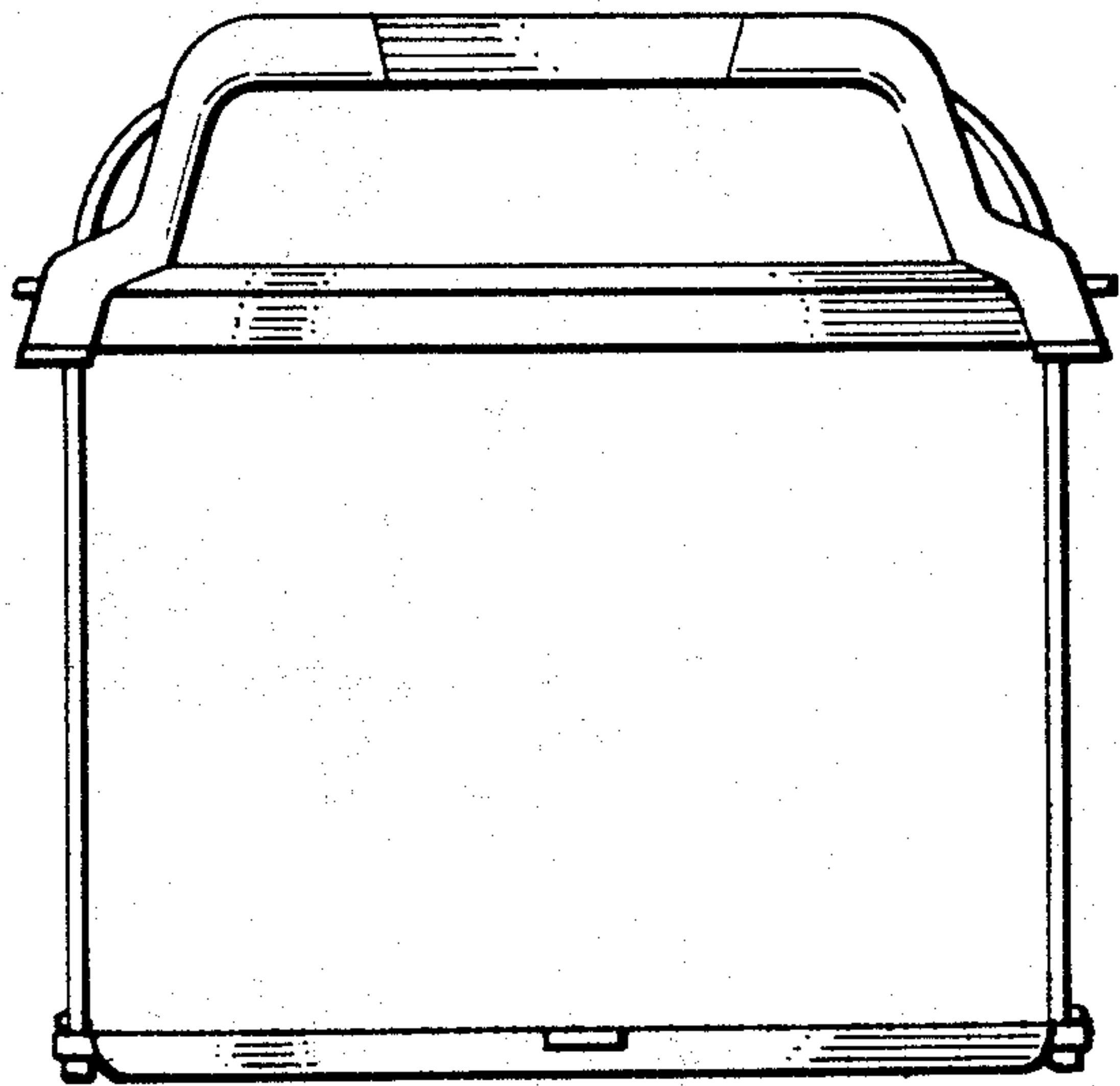


FIG. 13

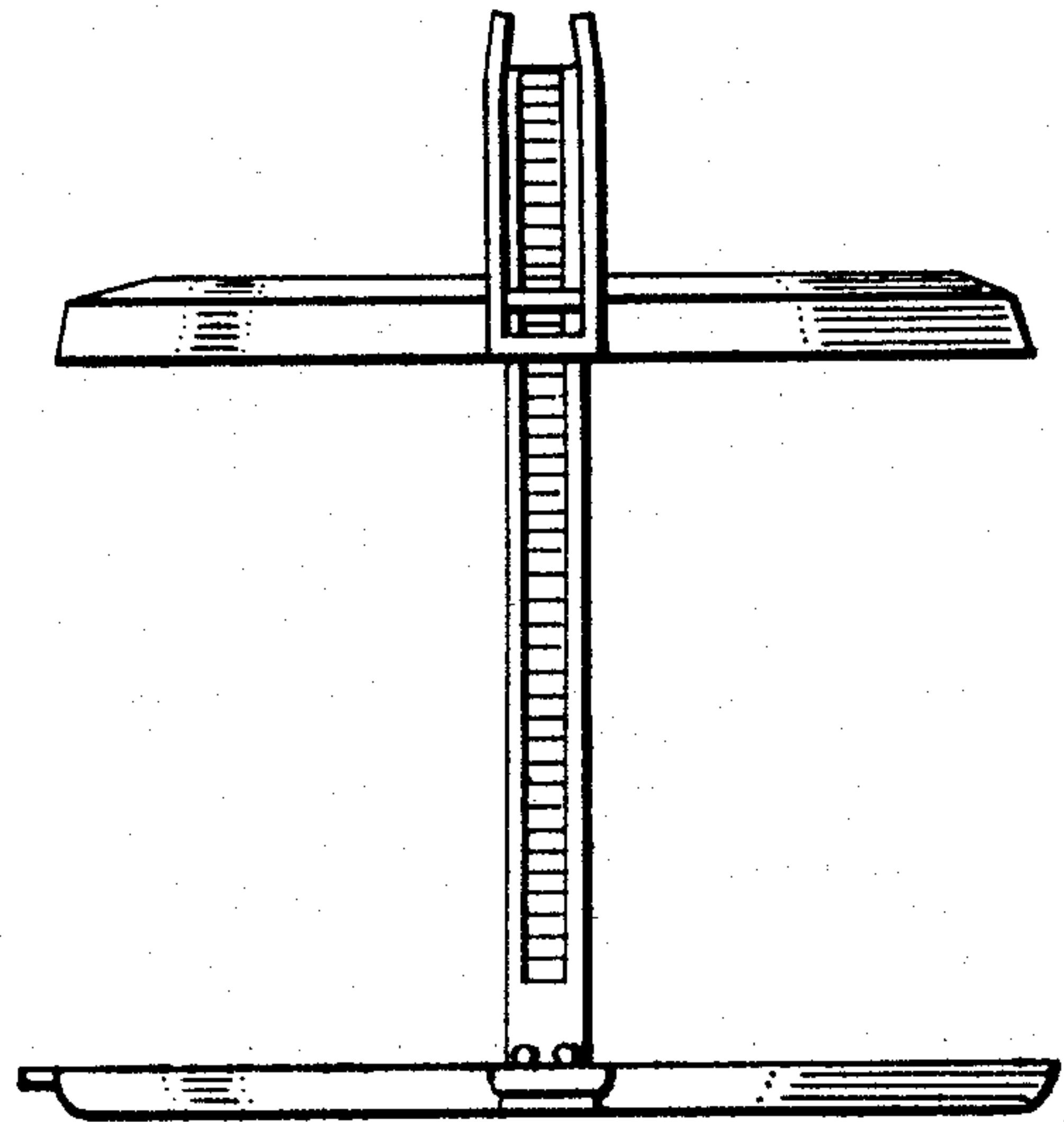


FIG. 14

