

[54] FOOD SERVICE TRAY

[75] Inventors: Malcolm J. Dodd; Joseph A. Juhas, both of Litchfield, Conn.

[73] Assignee: PTC Aerospace Inc., Bantam, Conn.

[**] Term: 14 Years

[21] Appl. No.: 476,179

[22] Filed: Mar. 17, 1983

[52] U.S. Cl. D7/38

[58] Field of Search D7/21, 38; D6/466, 511, D6/467; D3/30.1, 35, 40, 74; D9/341, 345, 347; 219/386, 387; 312/236

[56] References Cited

U.S. PATENT DOCUMENTS

4,346,755 8/1982 Dodd et al. 219/386 X

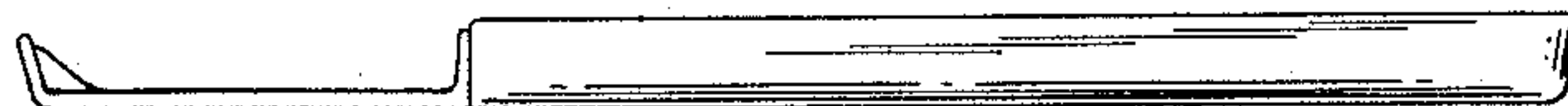
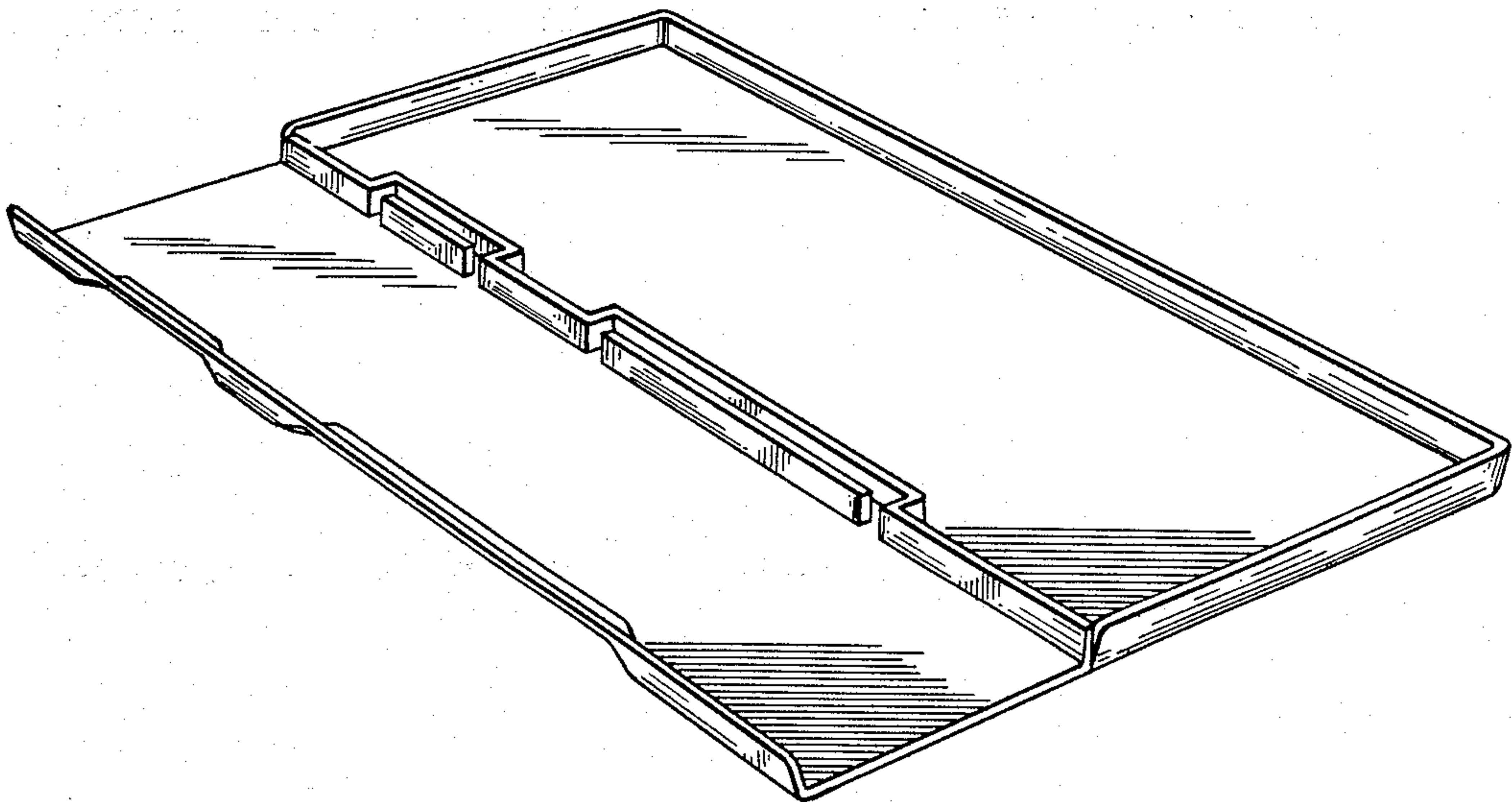
Primary Examiner—Winifred E. Herrmann
Attorney, Agent, or Firm—Thomas K. McBride; William H. Page, II; Barry L. Clark

[57] CLAIM

The ornamental design for a food service tray, as shown and described.

DESCRIPTION

FIG. 1 is a top, front, and right side perspective view of a food service tray showing our new design; FIG. 2 is a top plan view thereof; FIG. 3 is a sectional view on an enlarged scale taken on line 3—3 of FIG. 1; FIG. 4 is a right side elevational view thereof, the left side elevational view is a mirror image; FIG. 5 is a front elevational view thereof; and FIG. 6 is a rear elevational view thereof. The bottom of the design is flat and unornamented.



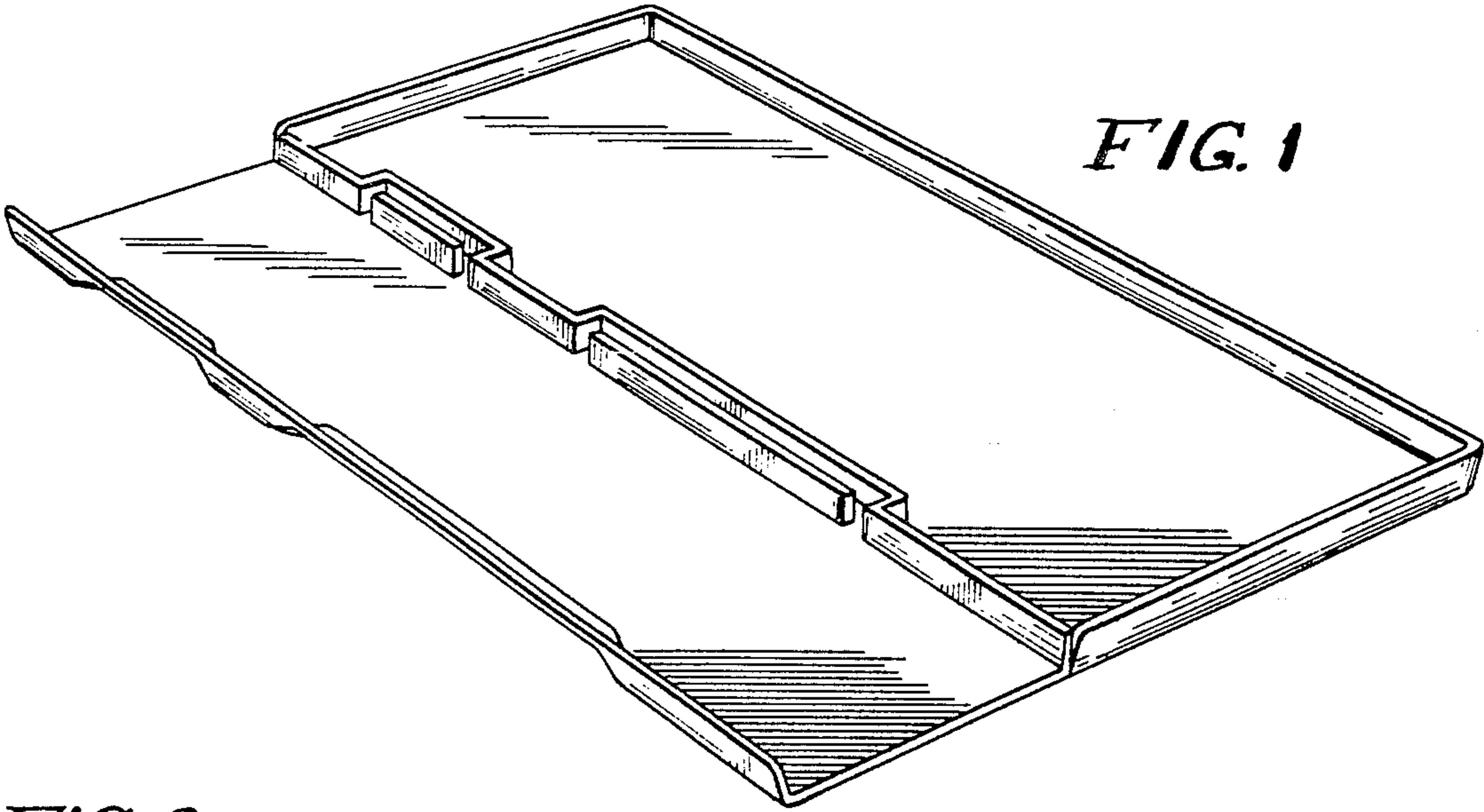


FIG. 2

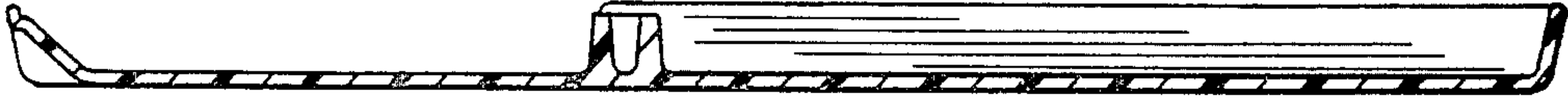
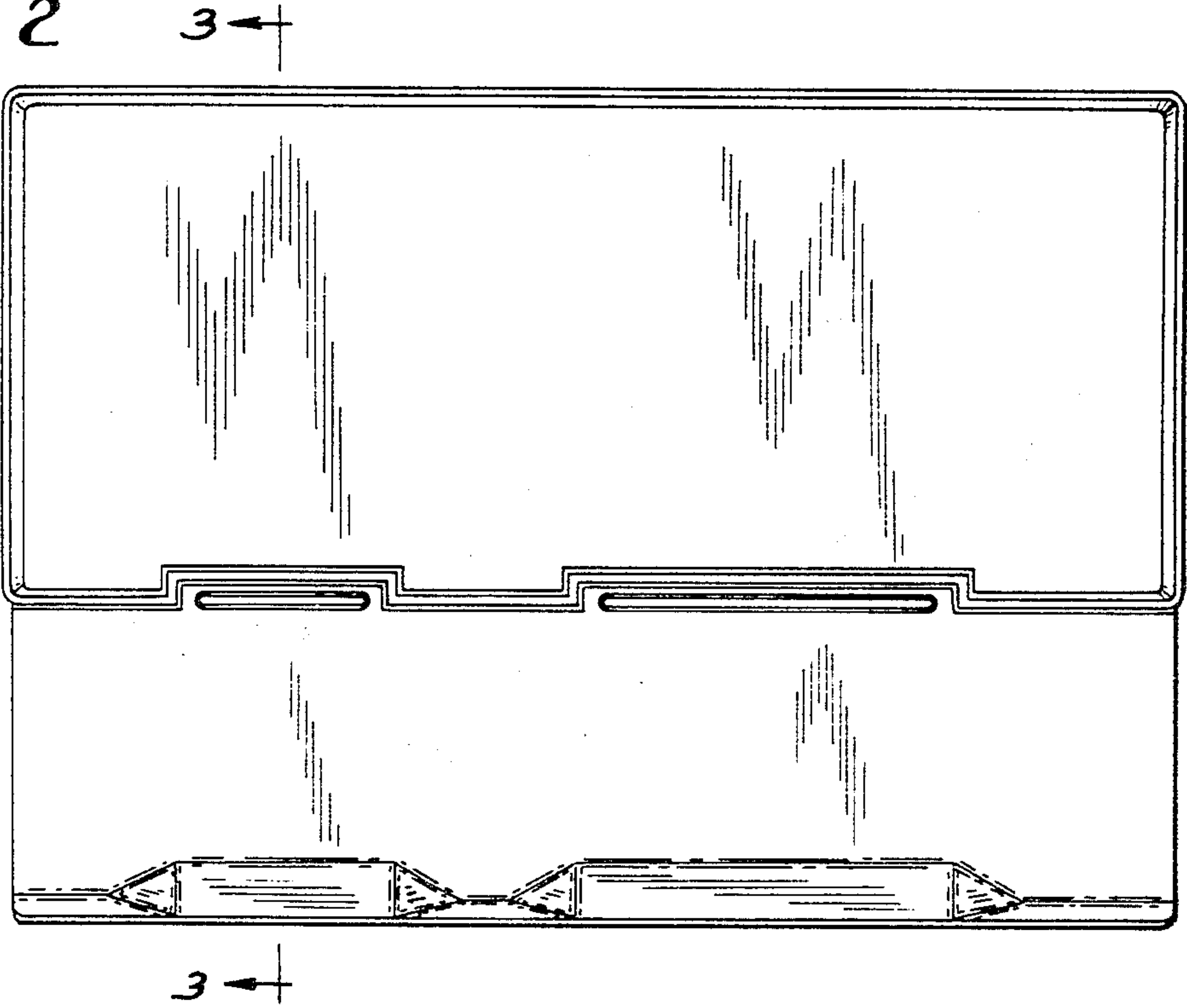


FIG. 3

FIG. 4

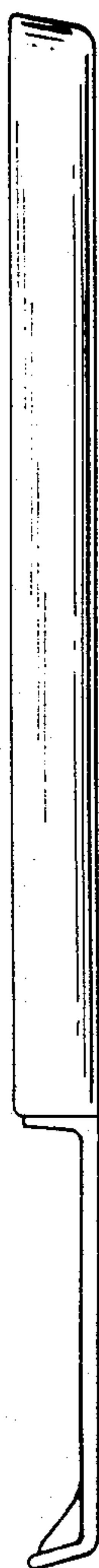


FIG. 5



FIG. 6

