

[54] CUP  
 [75] Inventor: James McBride, Seattle, Wash.  
 [73] Assignee: American Commercial Incorporated, Secaucus, N.J.  
 [\*\*] Term: 14 Years  
 [21] Appl. No.: 541,502  
 [22] Filed: Oct. 13, 1983  
 [52] U.S. Cl. .... D7/9  
 [58] Field of Search ..... D7/9, 10

D. 277,353 1/1985 Everhan ..... D7/9

OTHER PUBLICATIONS

*Premium Practice*, May, 1937, p. 17, top right panel, Cup at lower left therein, Monax Petalware.

Primary Examiner—Winifred E. Herrmann  
 Attorney, Agent, or Firm—George J. Brandt, Jr.

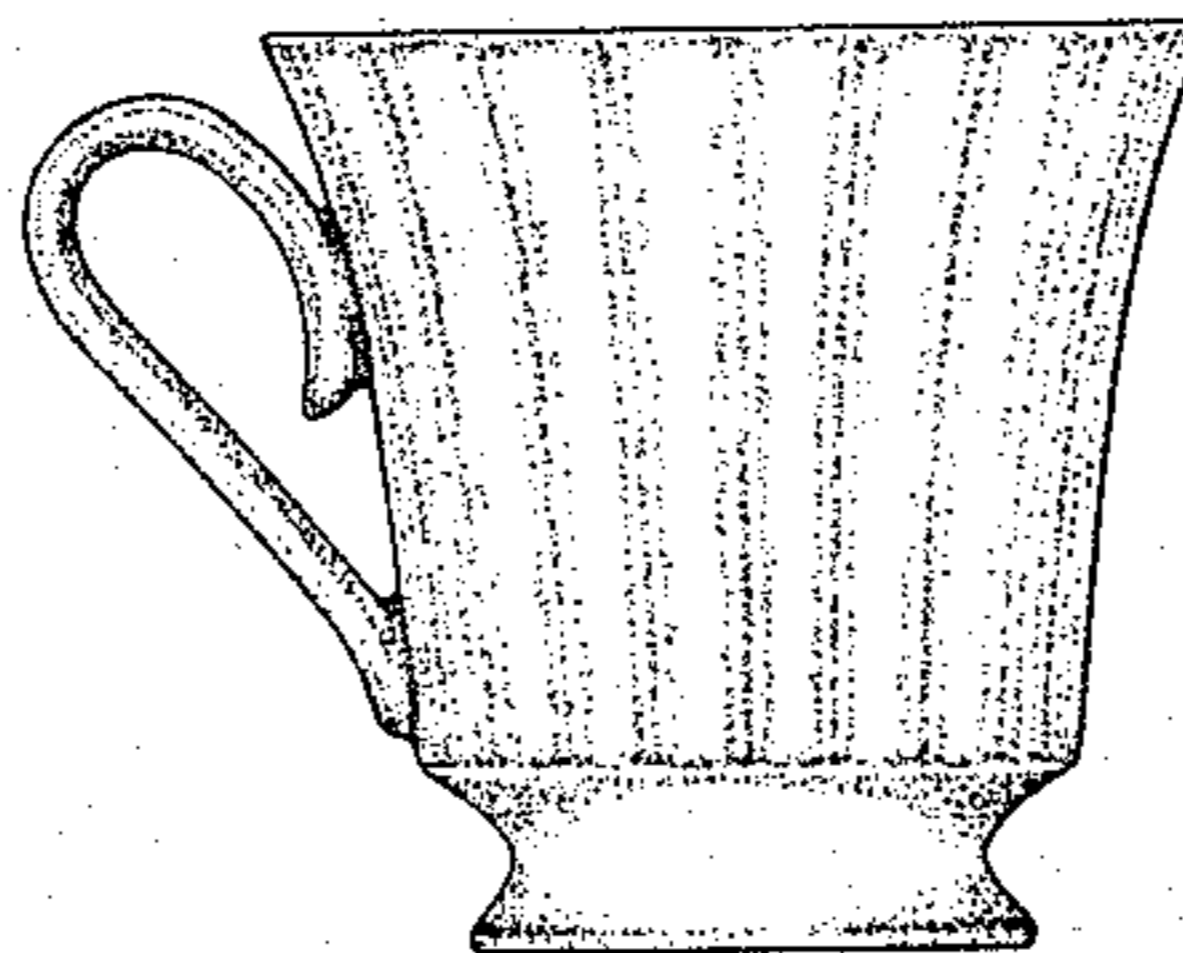
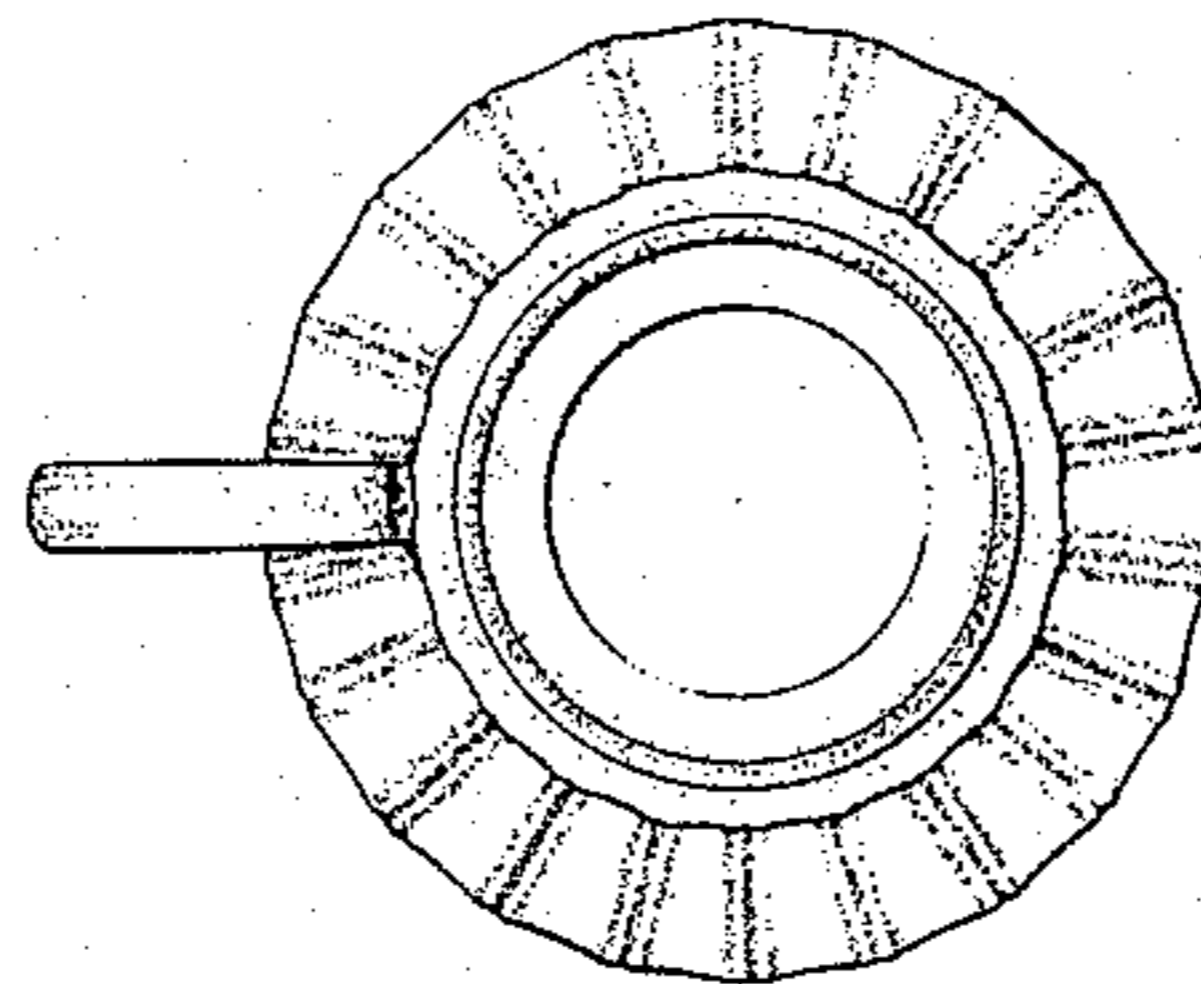
[57] CLAIM

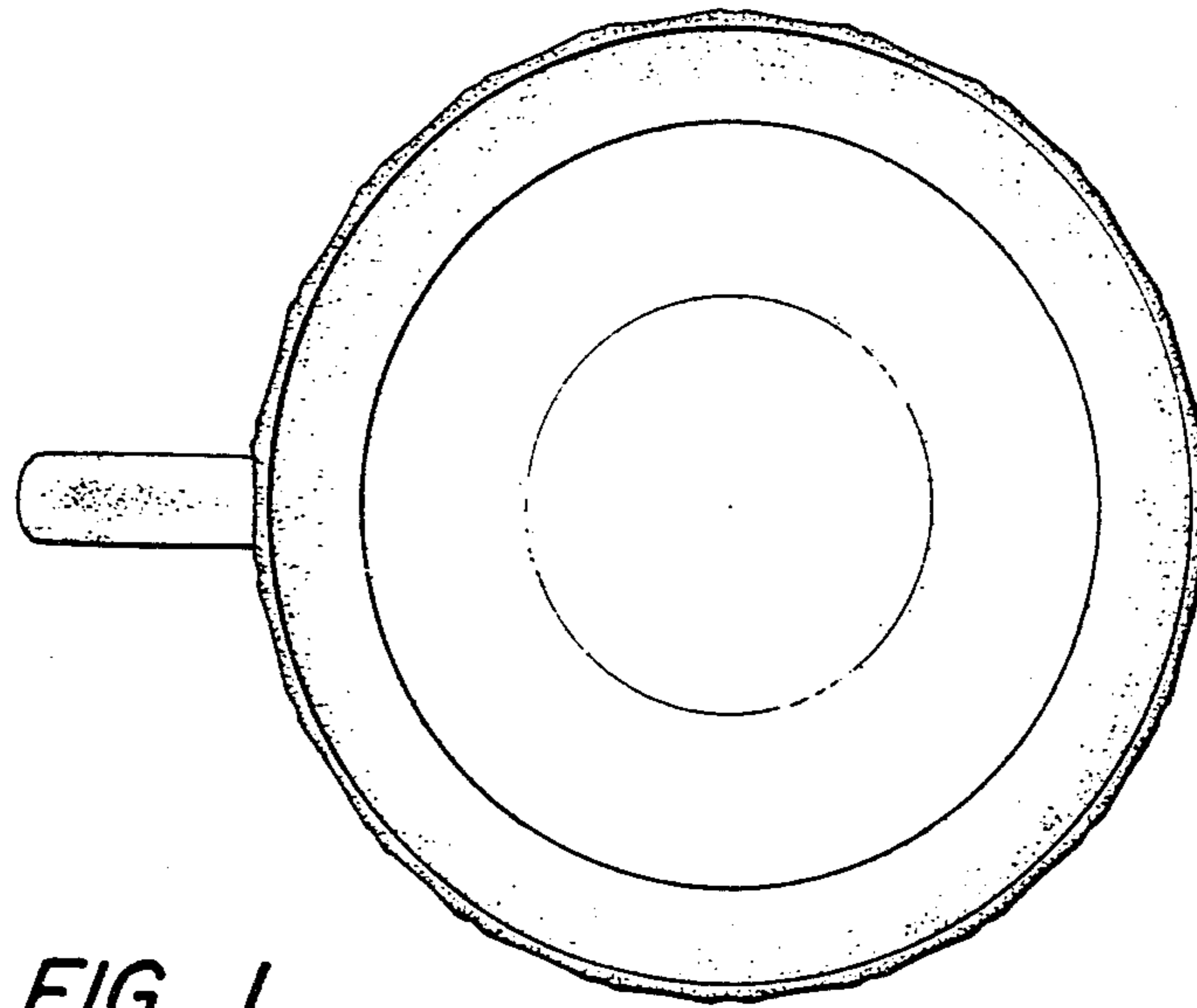
The ornamental design for a cup, as shown and described.

DESCRIPTION

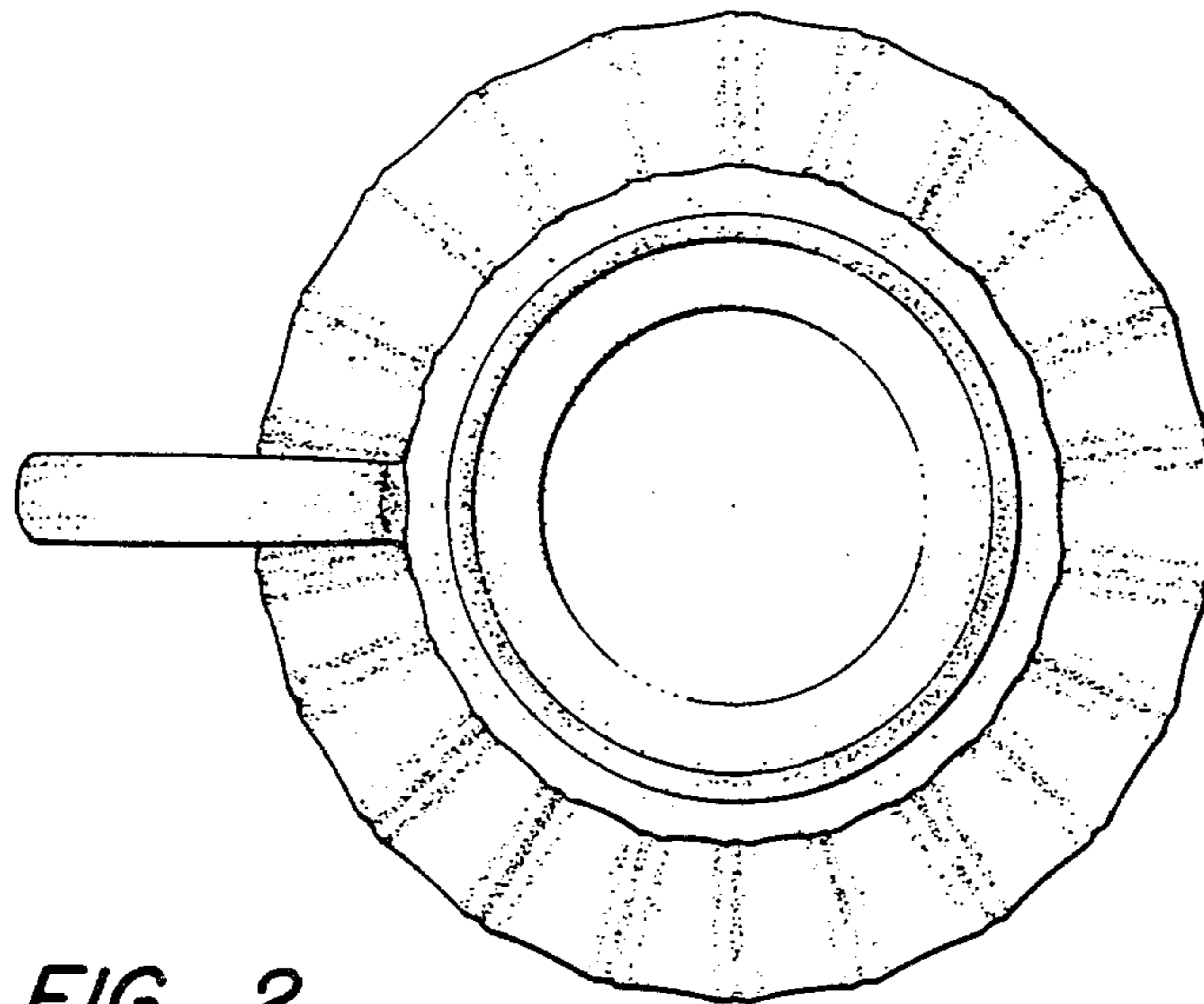
FIG. 1 is a top plan view of a cup showing my new design;  
 FIG. 2 is a bottom plan view thereof;  
 FIG. 3 is a right side elevational view thereof, the left side being a mirror image thereof;  
 FIG. 4 is a front elevational view thereof; and  
 FIG. 5 is a rear elevational view thereof.

- [56] References Cited
- U.S. PATENT DOCUMENTS
- |            |         |         |       |      |
|------------|---------|---------|-------|------|
| D. 63,265  | 11/1923 | Newton  | ..... | D7/9 |
| D. 69,072  | 12/1925 | Goodwin | ..... | D7/9 |
| D. 164,405 | 9/1951  | Cowan   | ..... | D7/9 |
| D. 179,463 | 12/1956 | Taggart | ..... | D7/9 |
| D. 266,976 | 11/1982 | Everhan | ..... | D7/9 |

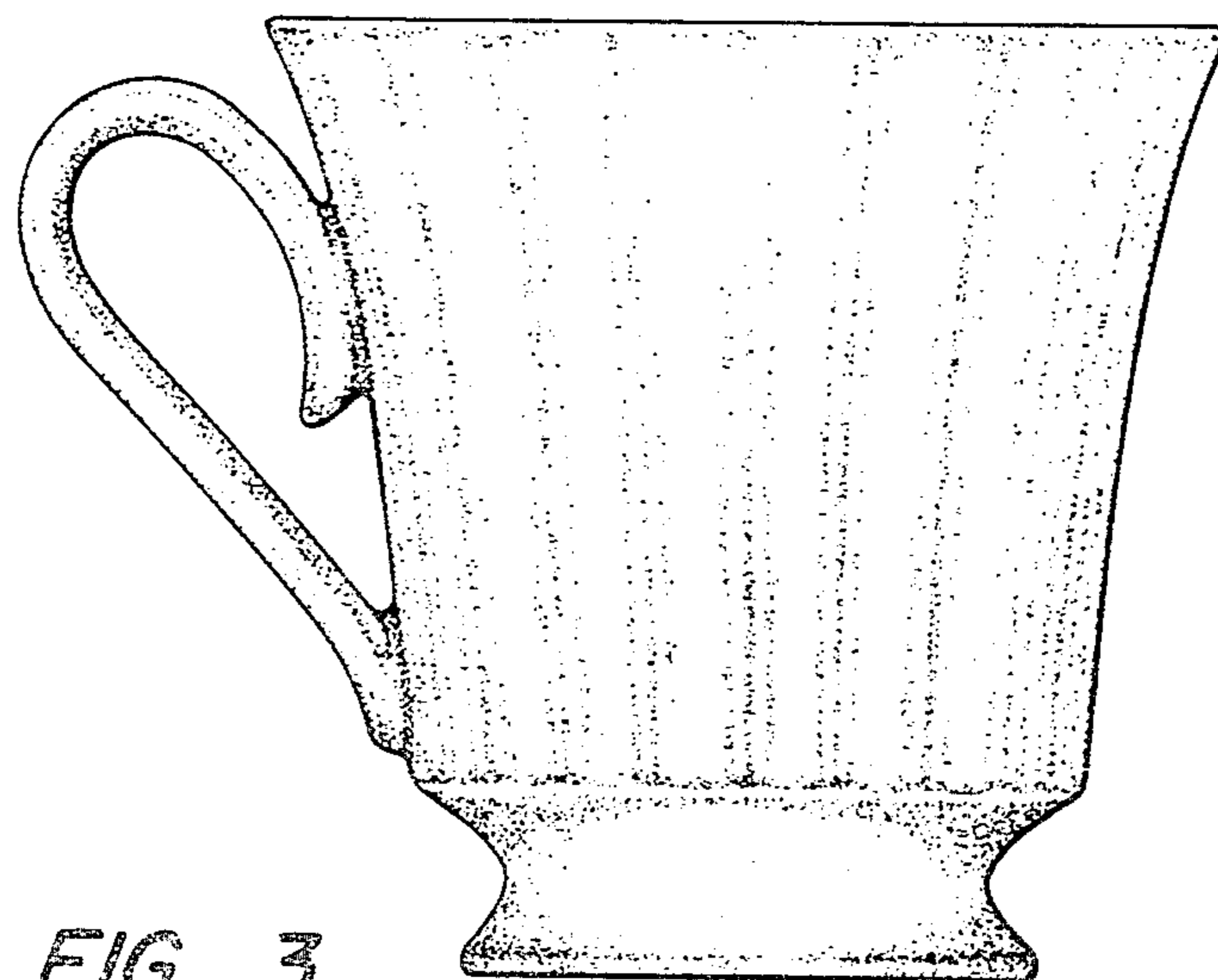




*FIG. 1*



*FIG. 2*



*FIG. 3*

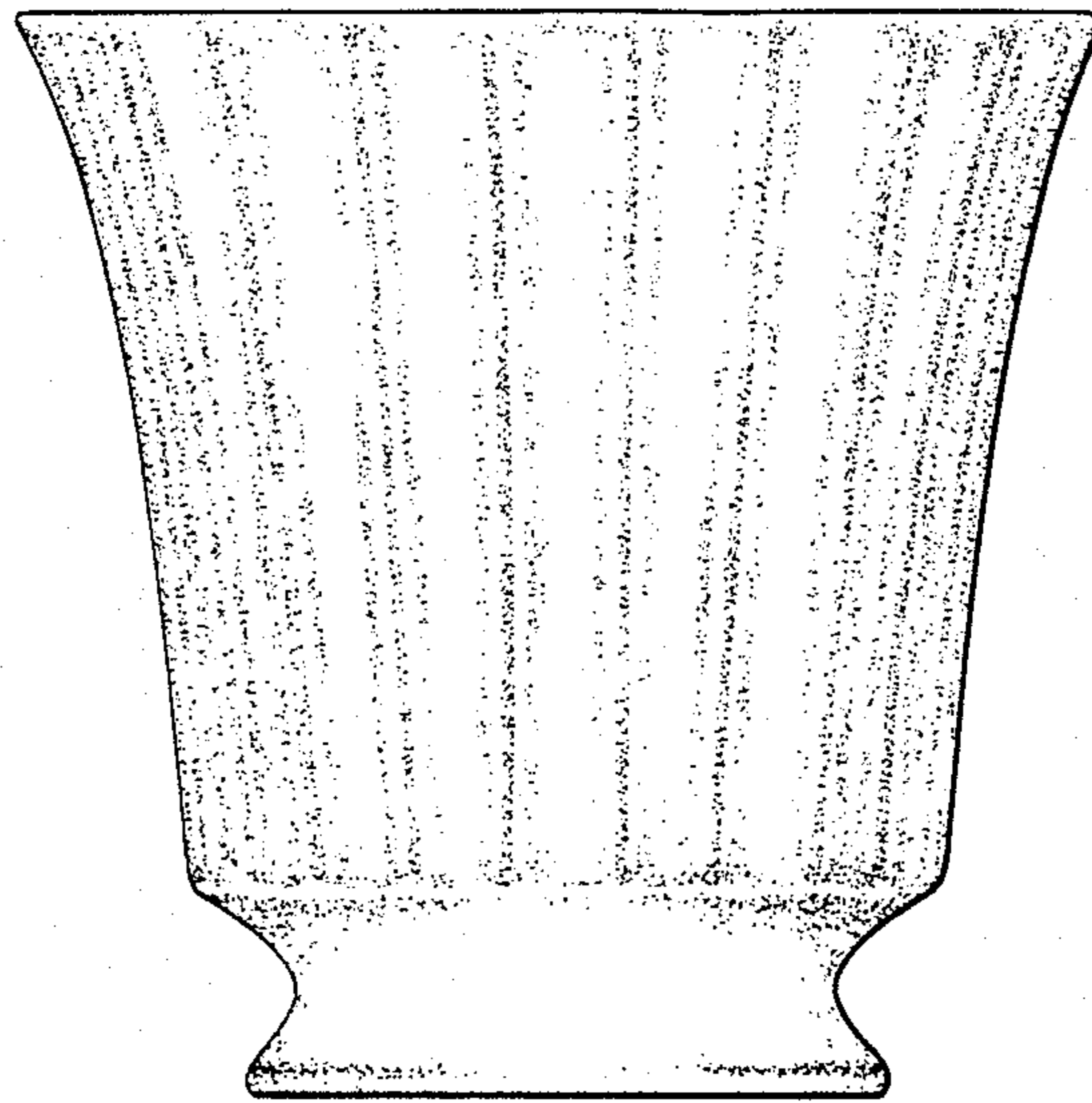


FIG. 4

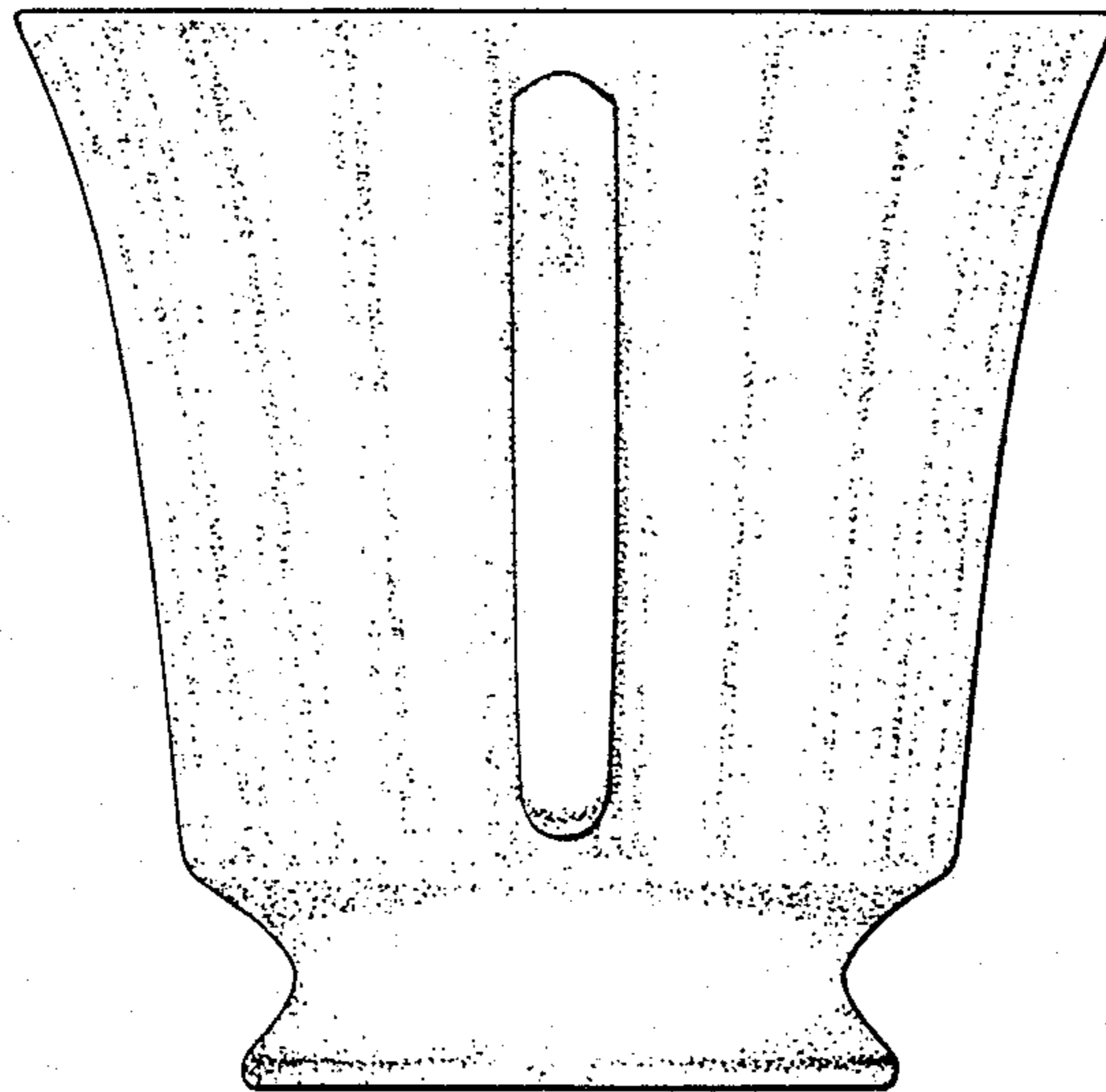


FIG. 5