

[54] **MERCHANDISE DISPLAY RACK**

[75] **Inventor: Ted A. Bell, Coshocton, Ohio**

[73] **Assignee: Pretty Products, Inc., Coshocton, Ohio**

[\*\*] **Term: 14 Years**

[21] **Appl. No.: 488,772**

[22] **Filed: Apr. 26, 1983**

[52] **U.S. Cl. .... D6/566; D6/570**

[58] **Field of Search .... D6/410, 411, 407, 412, D6/449, 458, 460, 462, 464, 475, 510, 512-514, 526, 531, 535, 546, 548-550, 552-554, 563, 566-572; D8/343, 380, 356, 354, 376; 211/13, 55, 86, 87, 70.5, 106, 181; 248/444, 447.1, 455, 456, 465.1, 75, 89, 90, 214, 220.2, 220.3, 289, 300, 302-303, 309.1, 311.2, 312.1, 313, 315, 316.1, 316.7**

[56] **References Cited**

**U.S. PATENT DOCUMENTS**

27,018	4/1897	Loughridge .....	D8/354
D. 200,617	3/1965	Smith .....	D6/566
D. 200,943	4/1965	Bleek .....	D6/566
D. 231,167	4/1974	Stap .....	D6/552
D. 264,278	5/1982	Waines .....	D6/458
4,140,221	2/1979	Garland .....	211/181

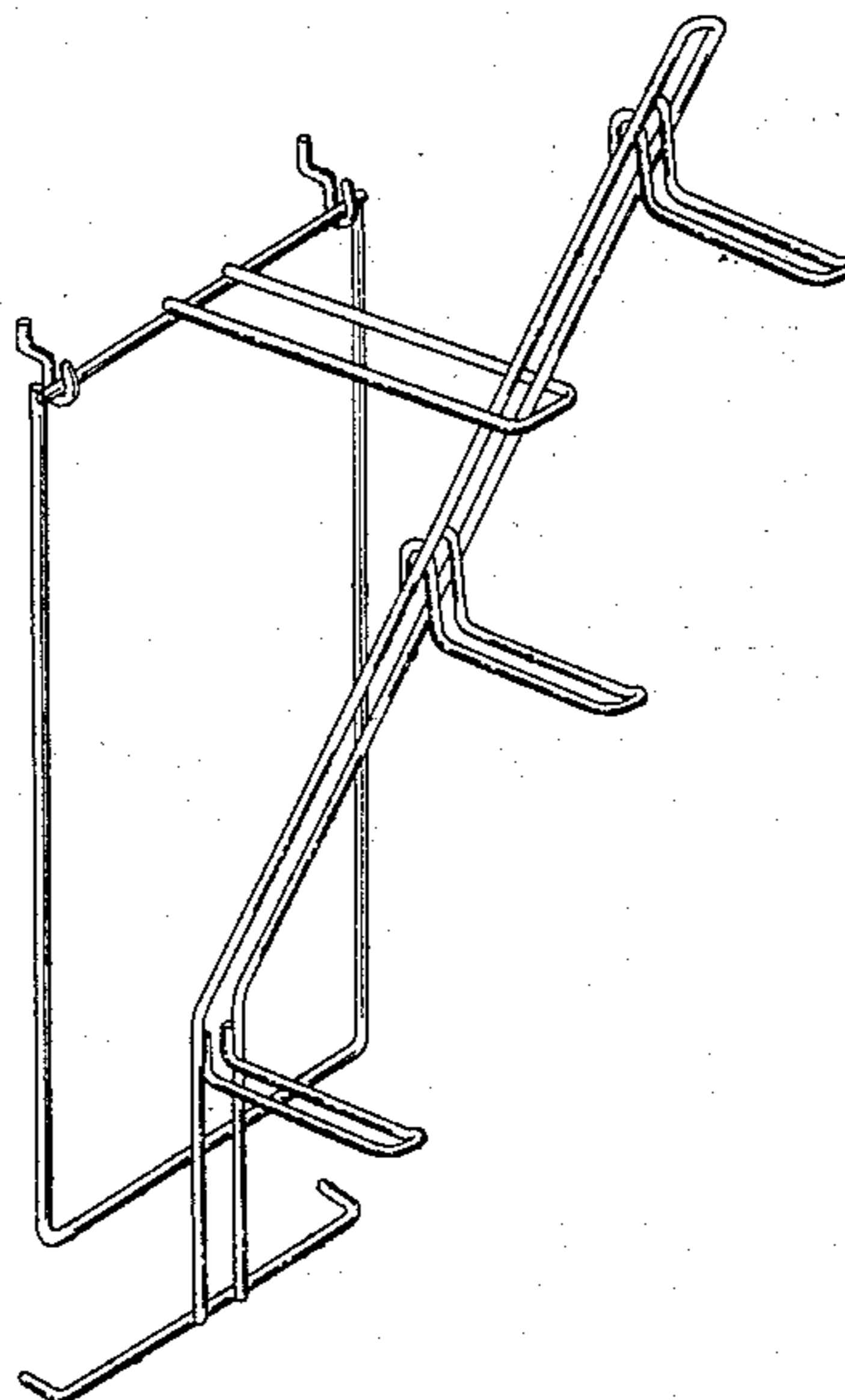
*Primary Examiner*—B. J. Bullock  
*Assistant Examiner*—Suzanne N. Gitlin  
*Attorney, Agent, or Firm*—Robert E. Stebens

[57] **CLAIM**

The ornamental design for a merchandise display rack, substantially as shown and described.

**DESCRIPTION**

FIG. 1 is an enlarged top perspective view of a merchandise display rack showing my new design.  
FIG. 2 is a front elevational view thereof.  
FIG. 3 is a side elevational view thereof, the opposite side being a mirror image thereof.  
FIG. 4 is a top plan view thereof.  
FIG. 5 is a bottom plan view thereof.



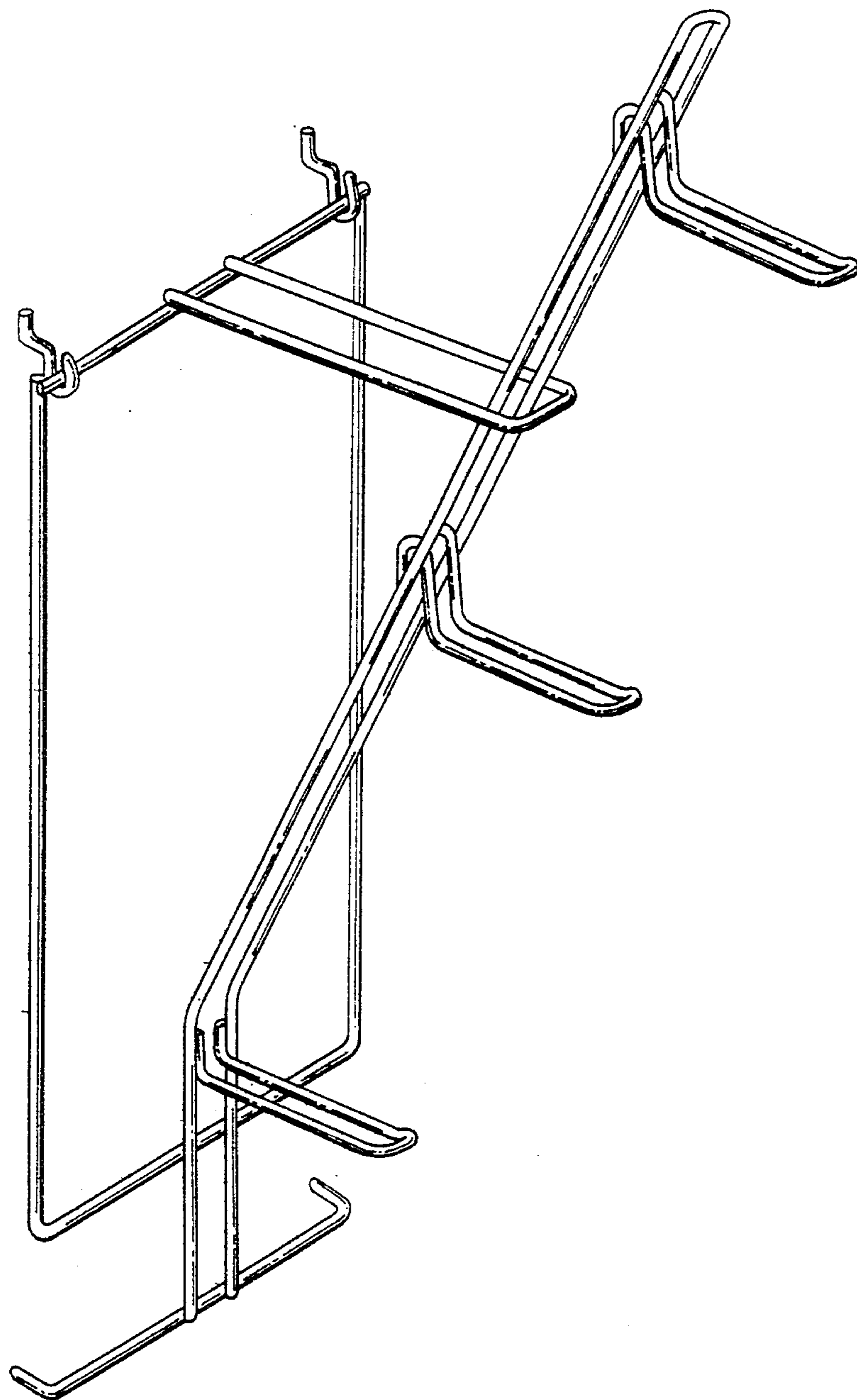


FIG. 1

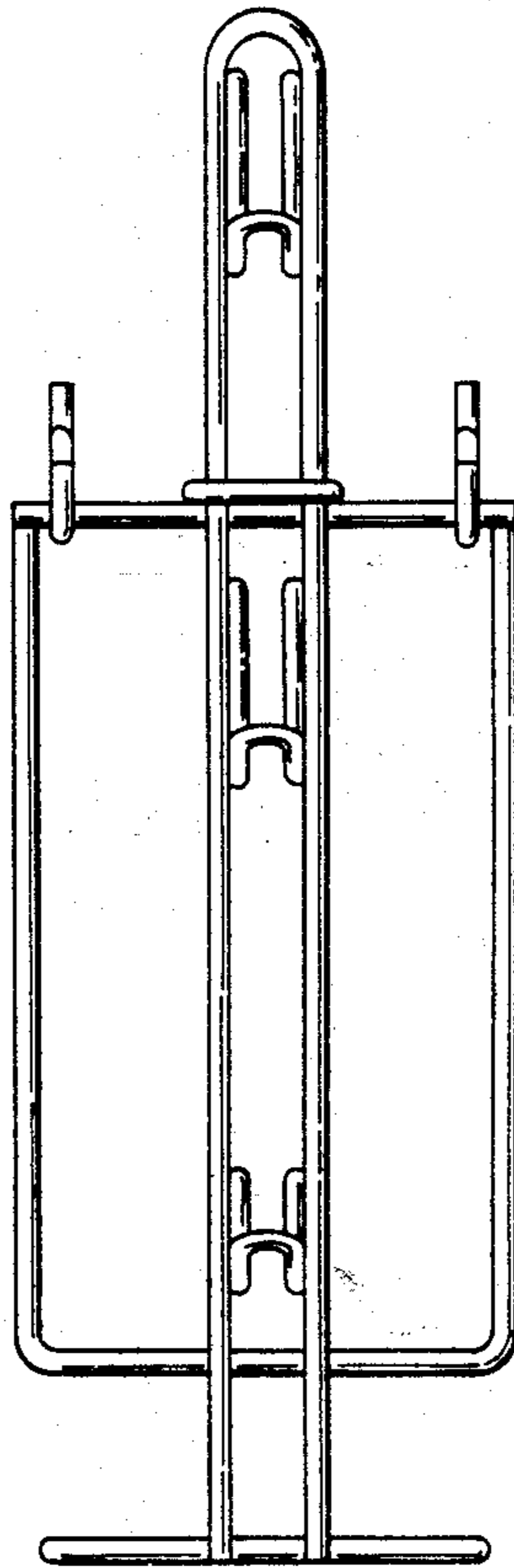


FIG. 2

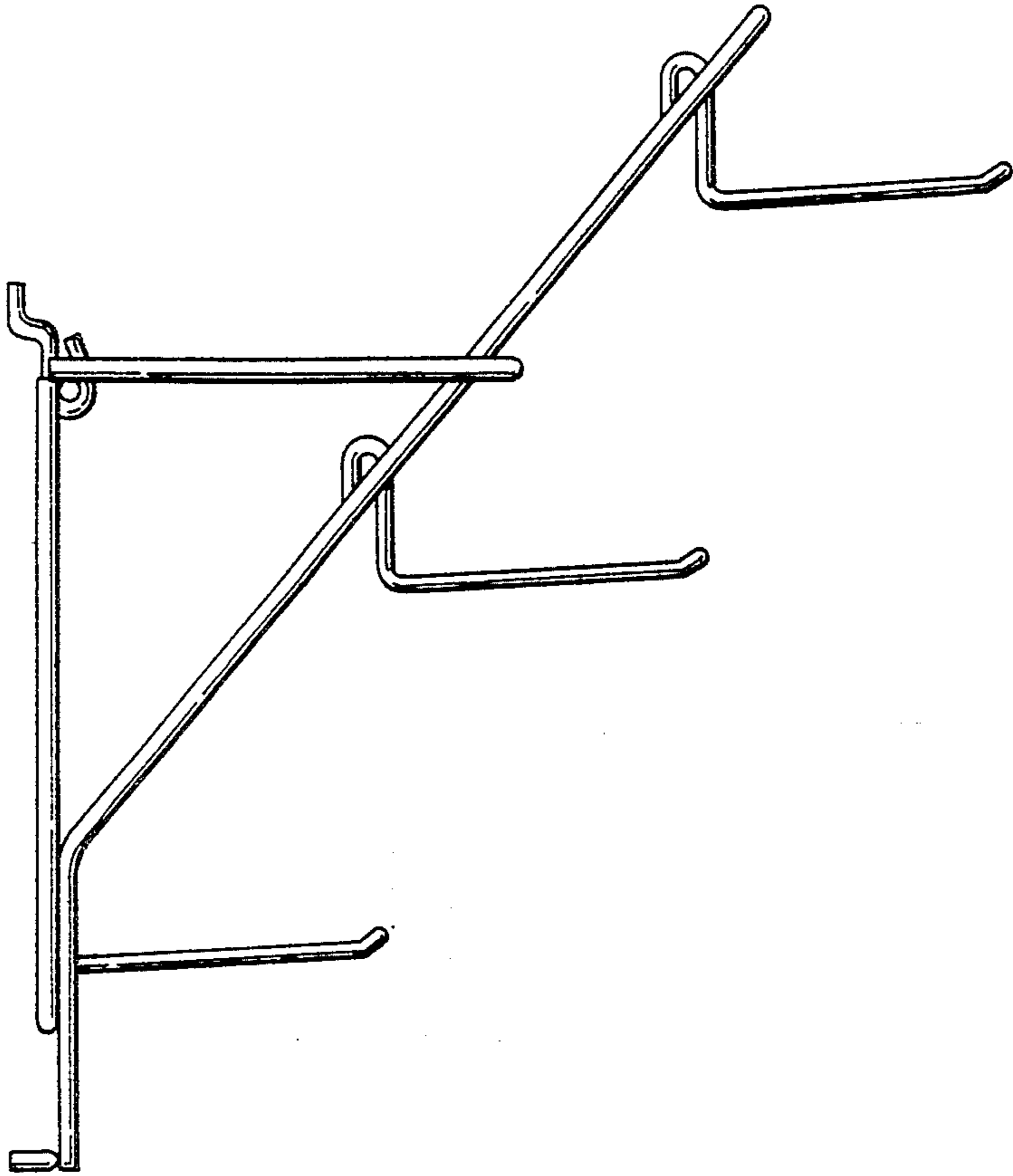


FIG. 3

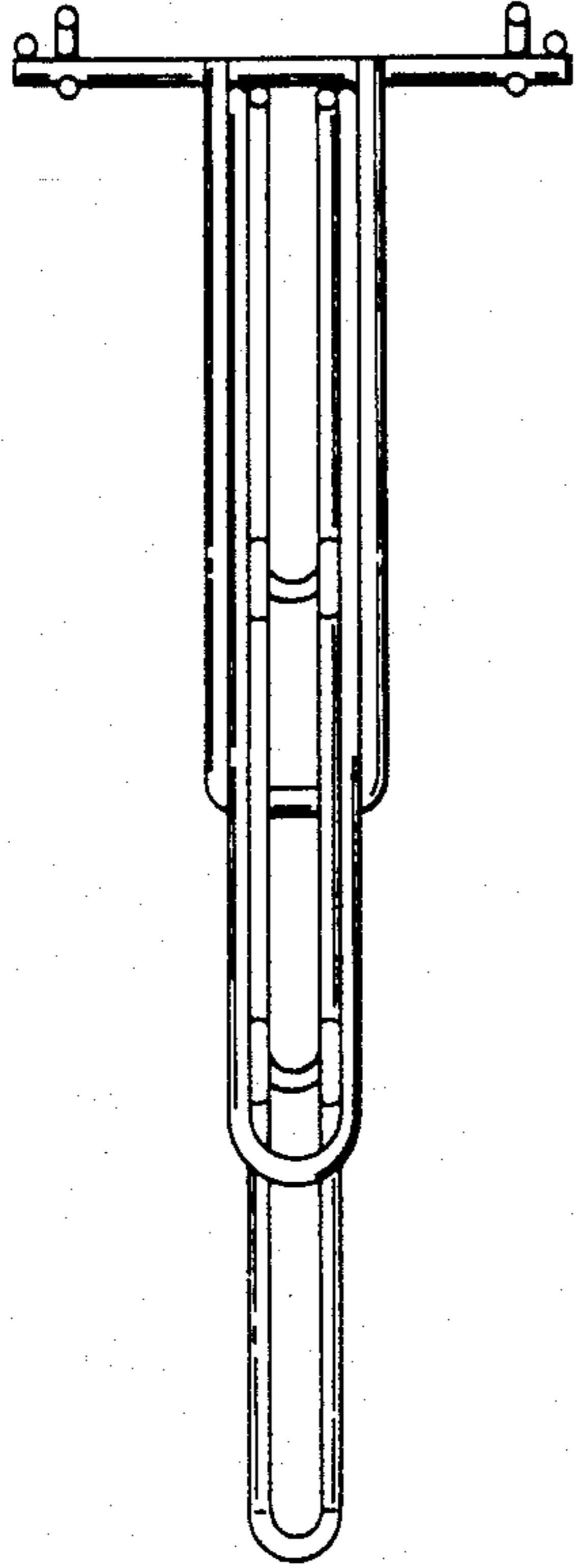


FIG. 4

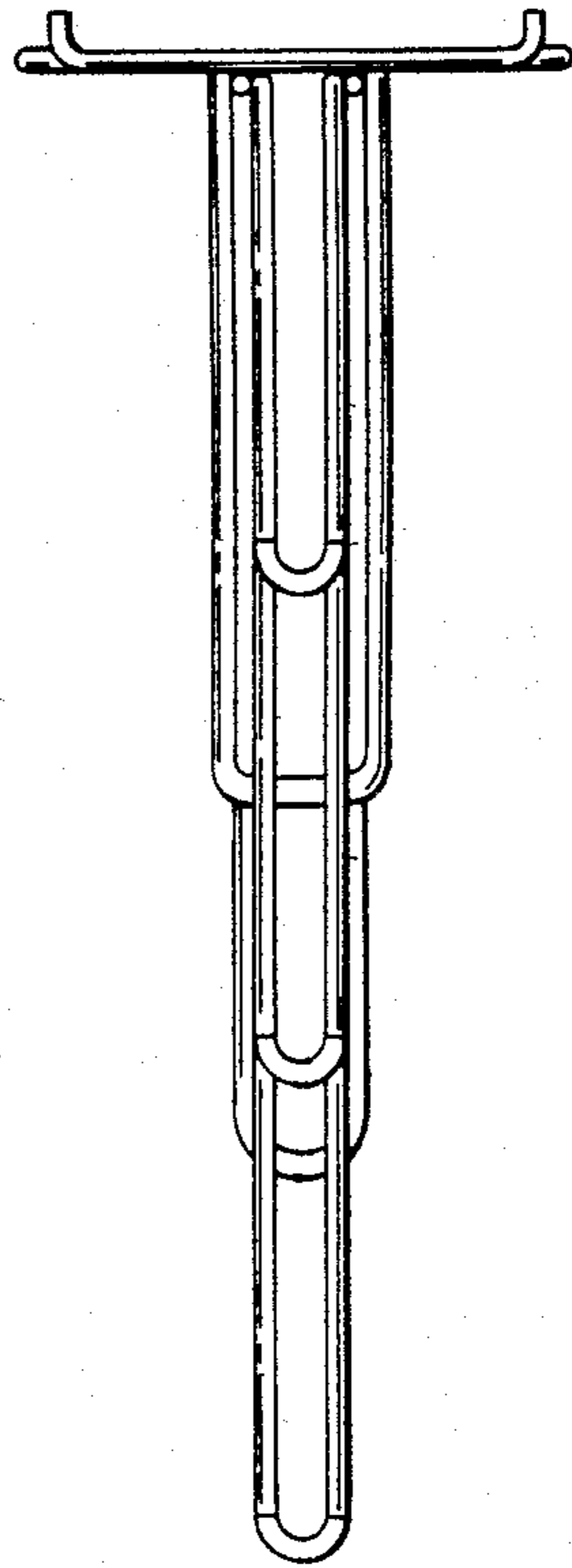


FIG. 5