

[54] EXTENDIBLE PEDESTAL TABLE

[76] Inventor: Fredrick Lambiase, 467 Terrace Ave., Hasbrouck Hts., N.J. 07604

[**] Term: 14 Years

[21] Appl. No.: 521,378

[22] Filed: Aug. 8, 1983

[52] U.S. Cl. D6/430; D6/486

[58] Field of Search D6/430, 429, 431, 449, D6/480, 482, 483, 484, 486, 489

[56] References Cited

U.S. PATENT DOCUMENTS

- D. 178,425 7/1956 Pollard D6/486 X
- D. 190,998 8/1961 Schultz D6/486
- D. 200,912 4/1965 Cleinman D6/430
- D. 276,955 1/1985 Hanemaayer D6/430

OTHER PUBLICATIONS

Contract Interiors, Feb. 1978, p. 20, Desk by Ponte. Design Catalog, Sep. 1978, p. 42, Folding Table by Plano.

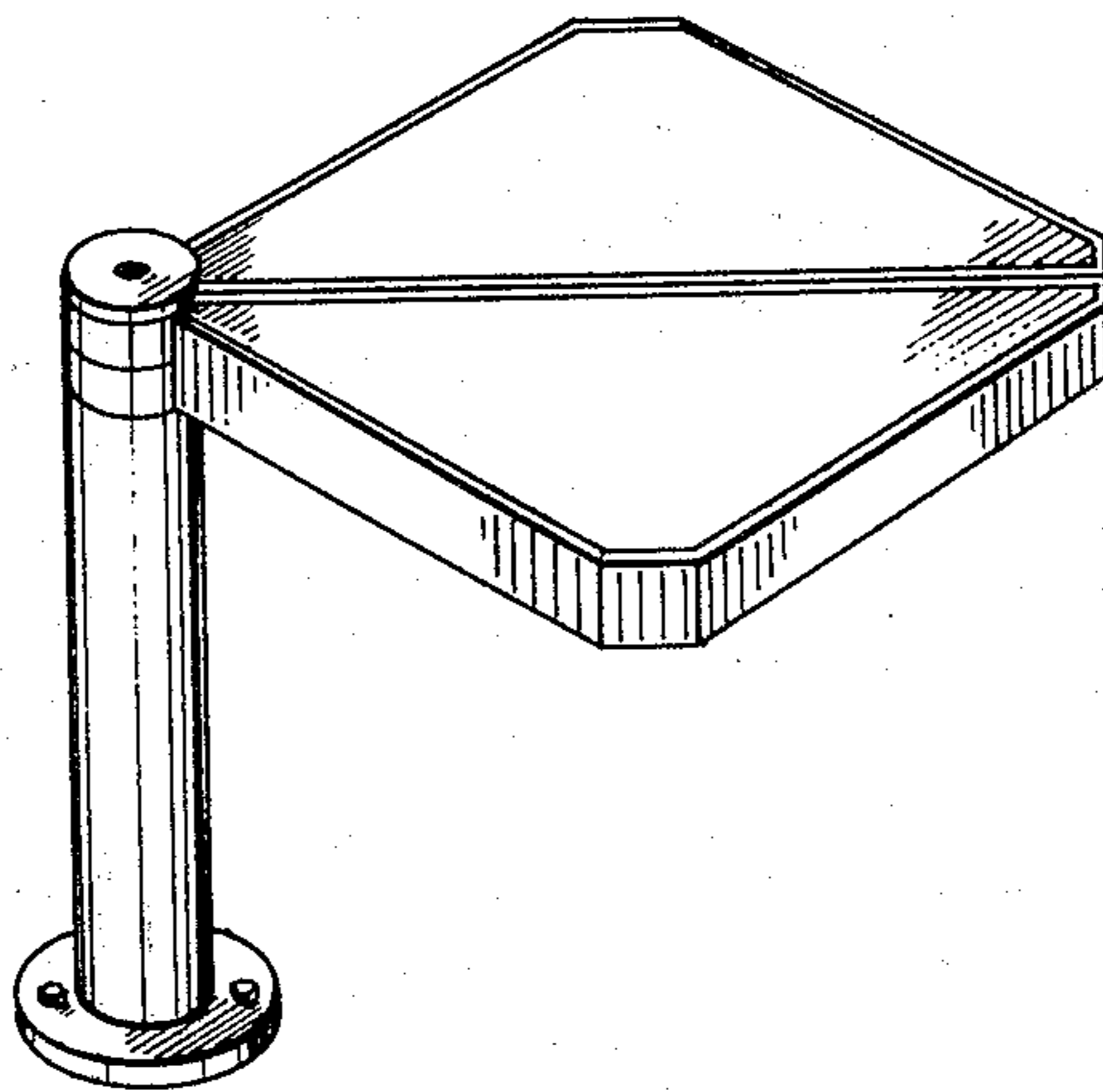
Primary Examiner—Bruce W. Dunkins
Attorney, Agent, or Firm—Peter C. Michalos

[57] CLAIM

The ornamental design for an extendible pedestal table, as shown and described.

DESCRIPTION

FIG. 1 is a perspective view of an extendible pedestal table showing my design;
 FIG. 2 is a perspective view thereof with the movable panels in open position whereby to receive a panel insert;
 FIG. 3 is a rear perspective view of the table of FIG. 2 with the panel insert removed; and
 FIG. 4 is a perspective view of the table of FIG. 1 with the rotatable panels thereof being pivoted to an alternate position.



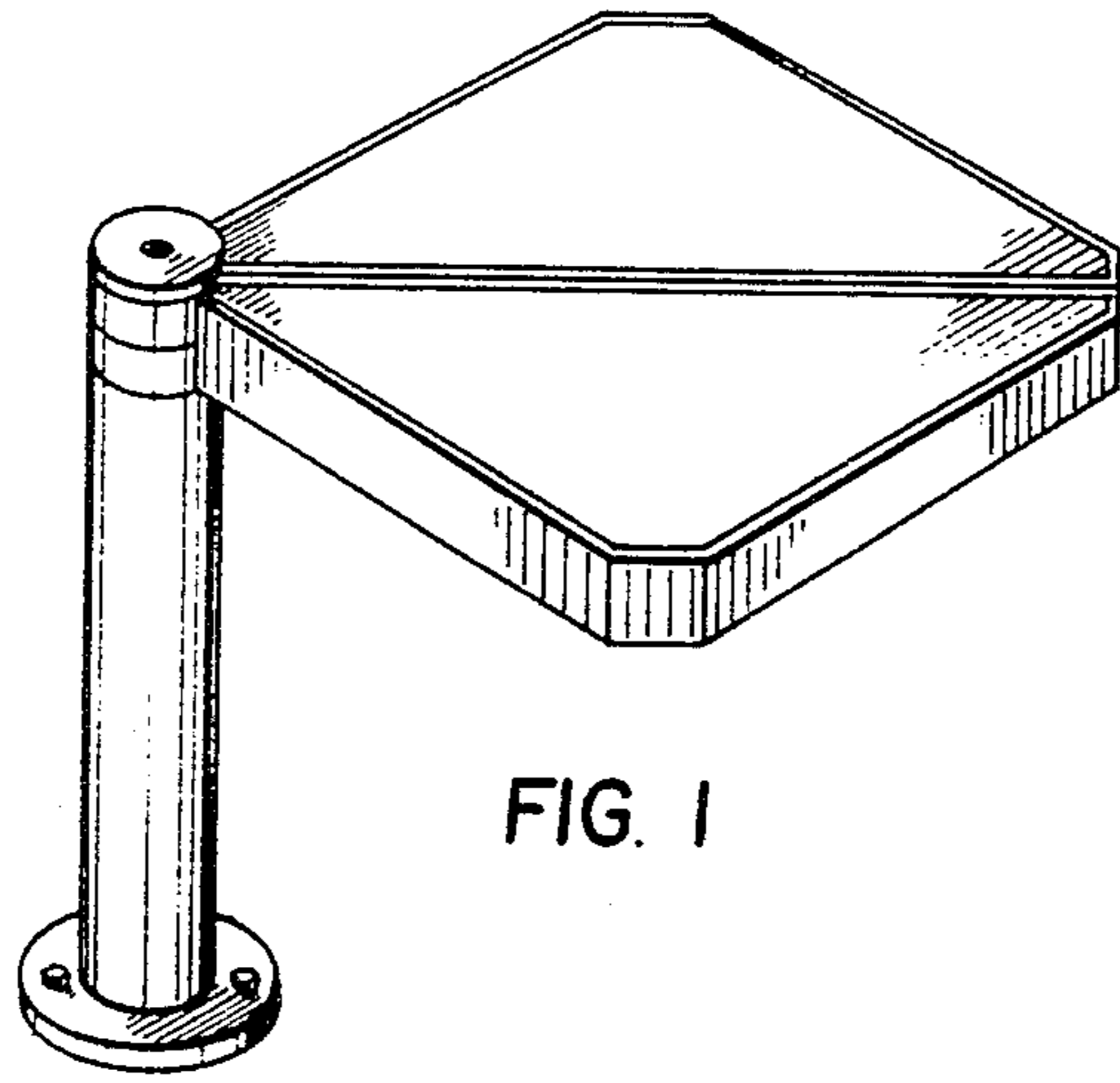


FIG. 1

FIG. 2

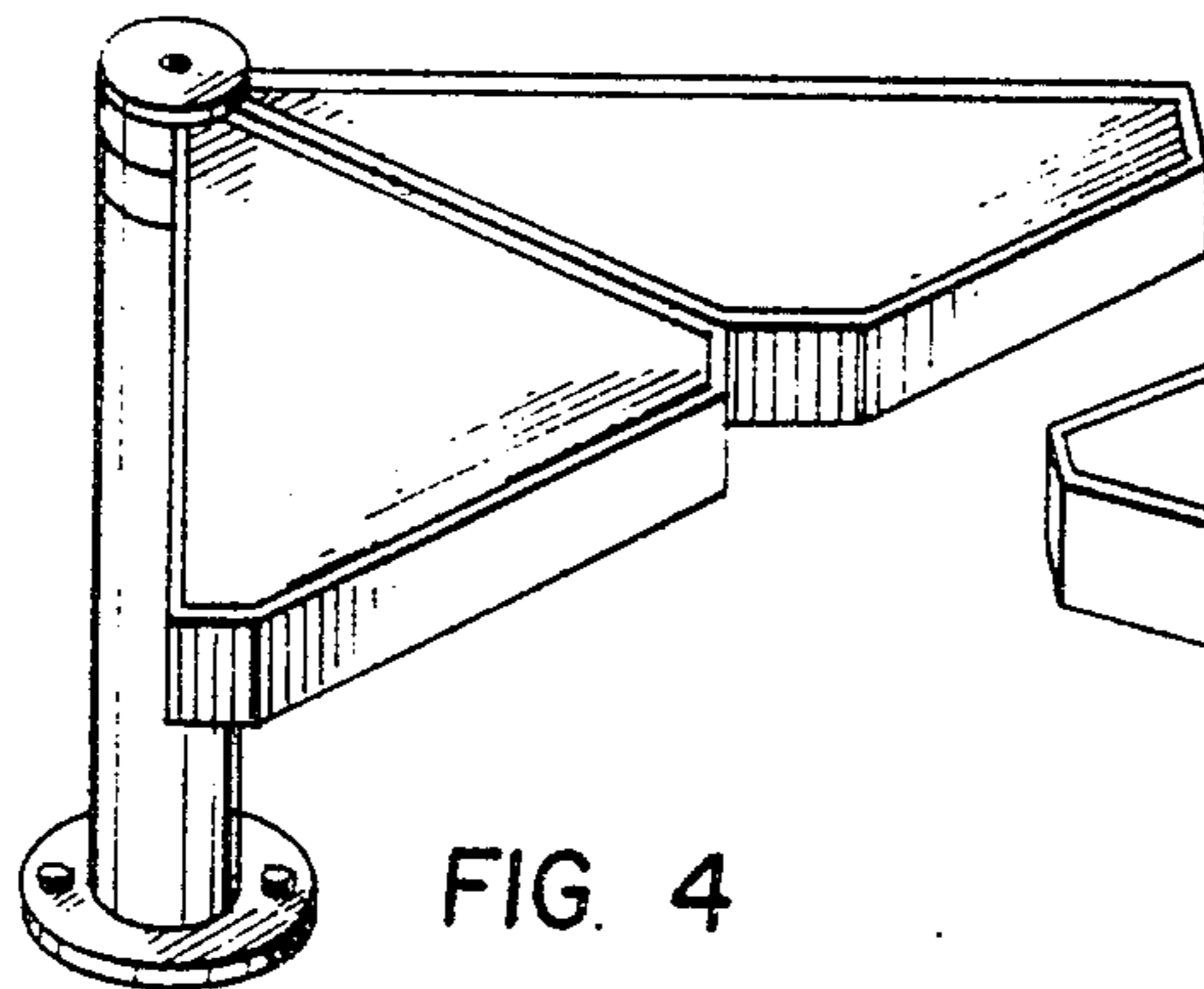
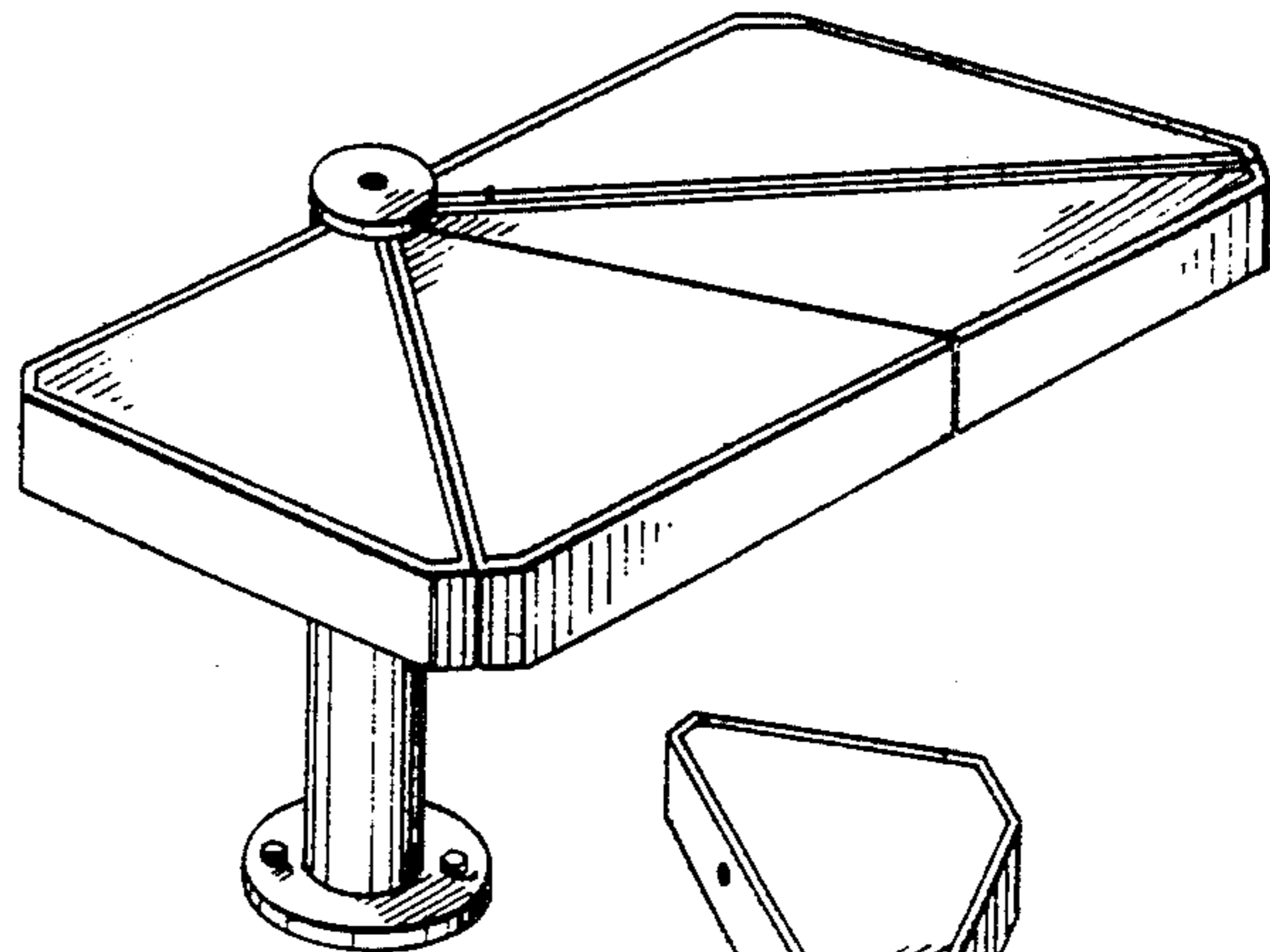


FIG. 4

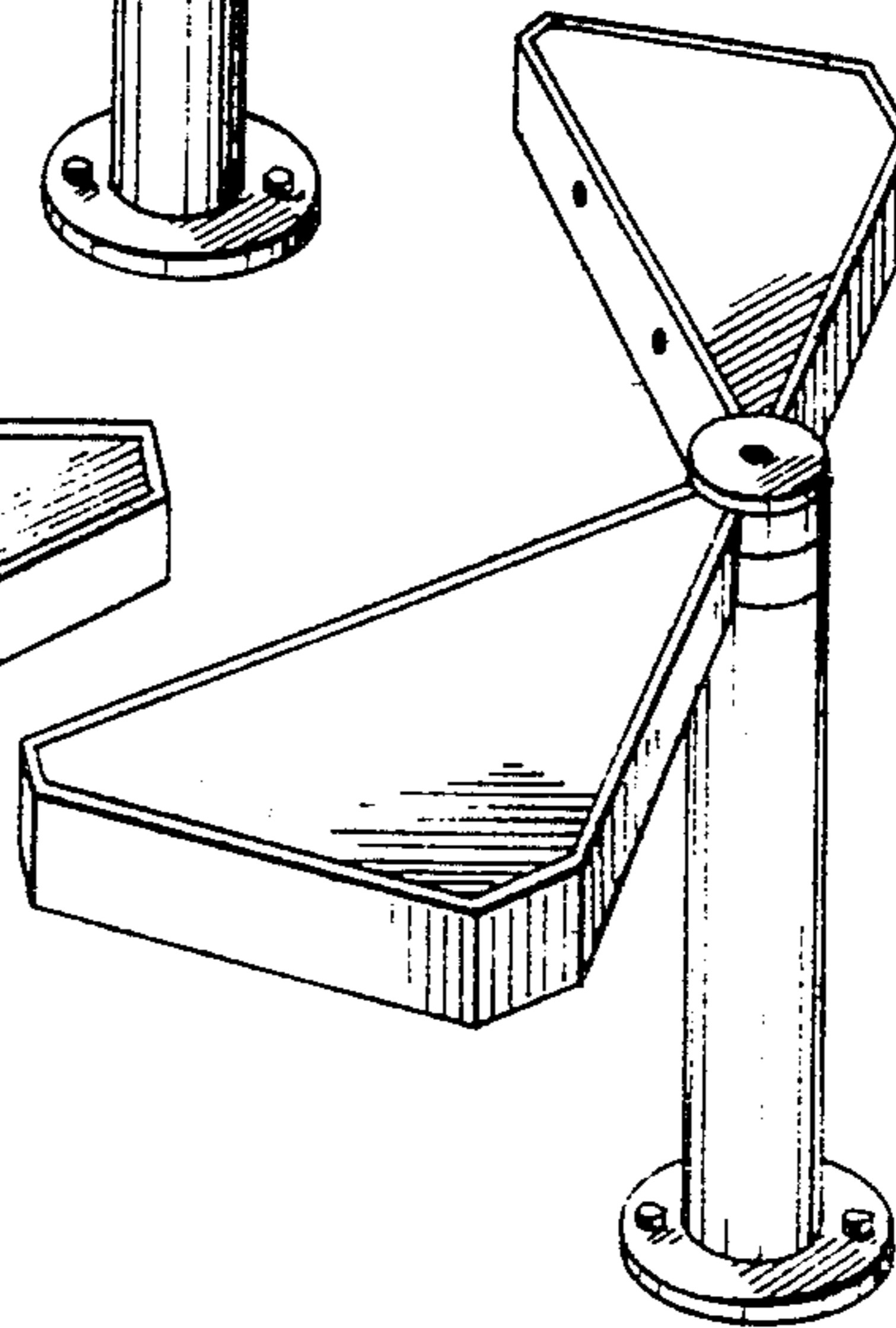


FIG. 3