

[54] DISKETTE STORAGE CONTAINER

[75] Inventors: Jerry M. Long, Scotts Valley; James A. Womack, Los Gatos, both of Calif.

[73] Assignee: Innovative Concepts, Inc., San Jose, Calif.

[**] Term: 14 Years

[21] Appl. No.: 445,088

[22] Filed: Feb. 3, 1983

[52] U.S. Cl. D3/35; D3/78; D19/76

[58] Field of Search D19/75, 76, 86, 90; D3/30.1, 33, 35, 78; 206/425, 444, 45.11, 45.13, 45.14, 45.18

[56] References Cited

U.S. PATENT DOCUMENTS

D. 243,526	3/1977	Overman	D19/76
D. 267,911	2/1983	Long et al.	D19/76
3,086,645	4/1963	Young	206/45.13
3,253,871	5/1966	Karder	D19/76
4,091,918	5/1978	Soulakis	206/45.13
4,356,918	11/1982	Kahle et al.	206/444

Primary Examiner—George P. Word
Attorney, Agent, or Firm—Claude A. S. Hamrick

[57] CLAIM

The ornamental design for a diskette storage container, substantially as shown and described.

DESCRIPTION

FIG. 1 is a perspective view of a diskette storage container showing our new design in its closed configuration;

FIG. 2 is a perspective view thereof showing the container in its opened configuration;

FIG. 3 is a partially broken perspective view showing the base member thereof, the surfaces not shown being plain or the mirror image of the corresponding surfaces of the opposite sides;

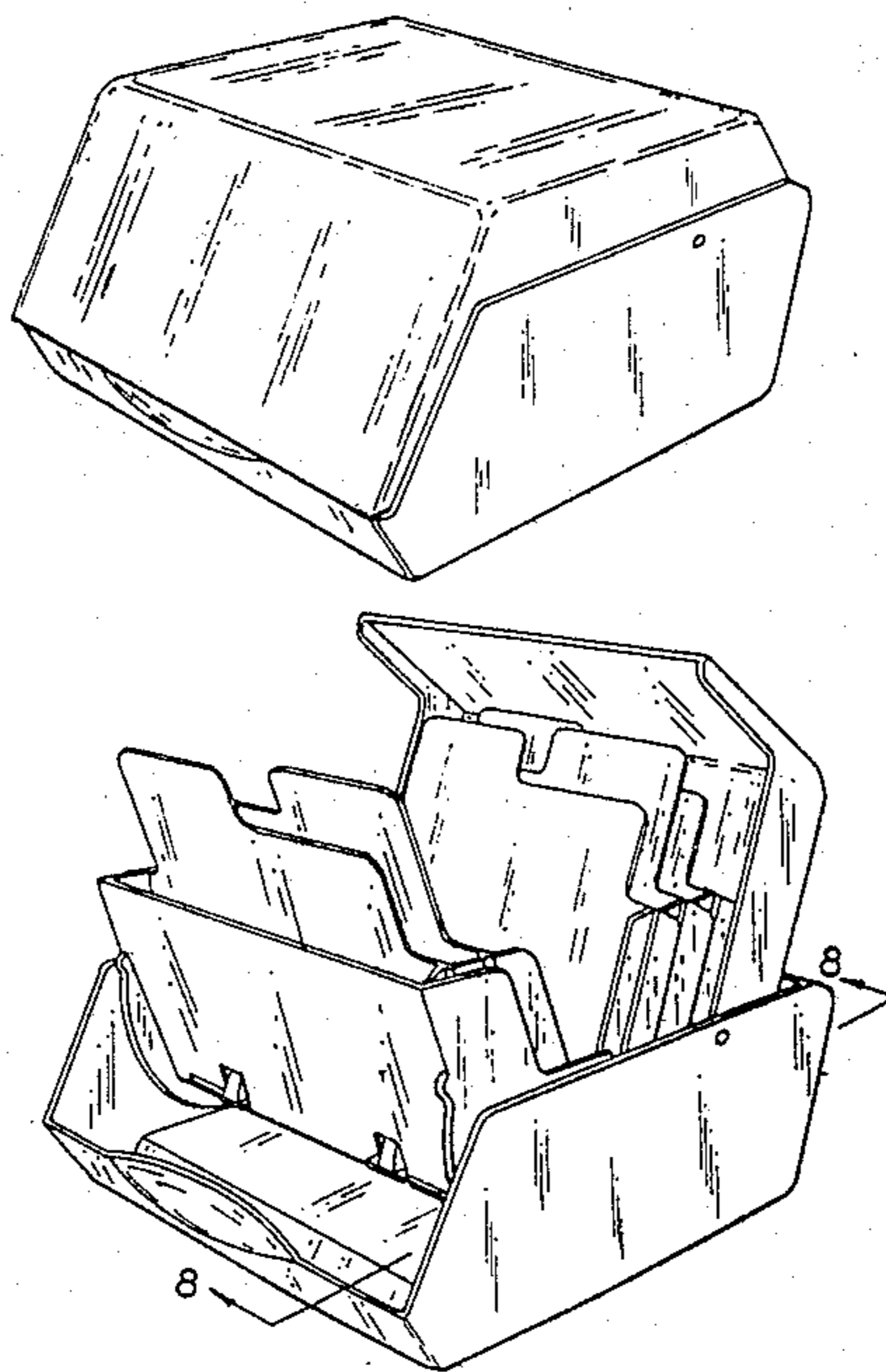
FIG. 4 is a partially broken perspective view showing the closure member and diskette support member disposed in a separated relationship from the base member, the surfaces not shown being plain;

FIG. 5 is a perspective view showing the diskette support and carrier subassembly;

FIG. 6 is a perspective view showing the carrier member of the subassembly shown in FIG. 5;

FIG. 7 is a perspective view showing one of the separator elements shown in FIGS. 2 and 5, the rear view being the mirror image thereof; and

FIG. 8 is a cross-sectional view taken along the line 8—8 of FIG. 2.



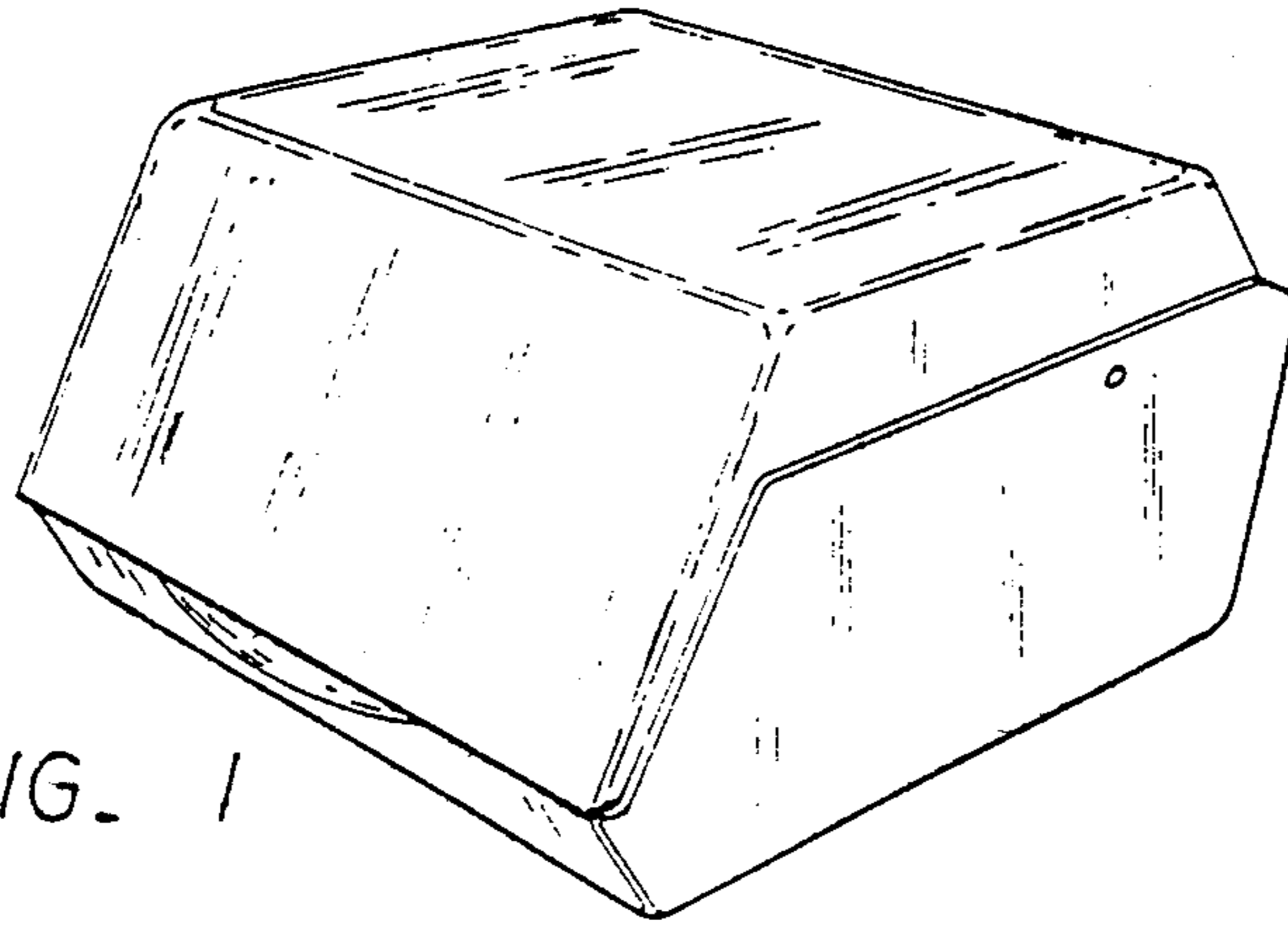


FIG. 1

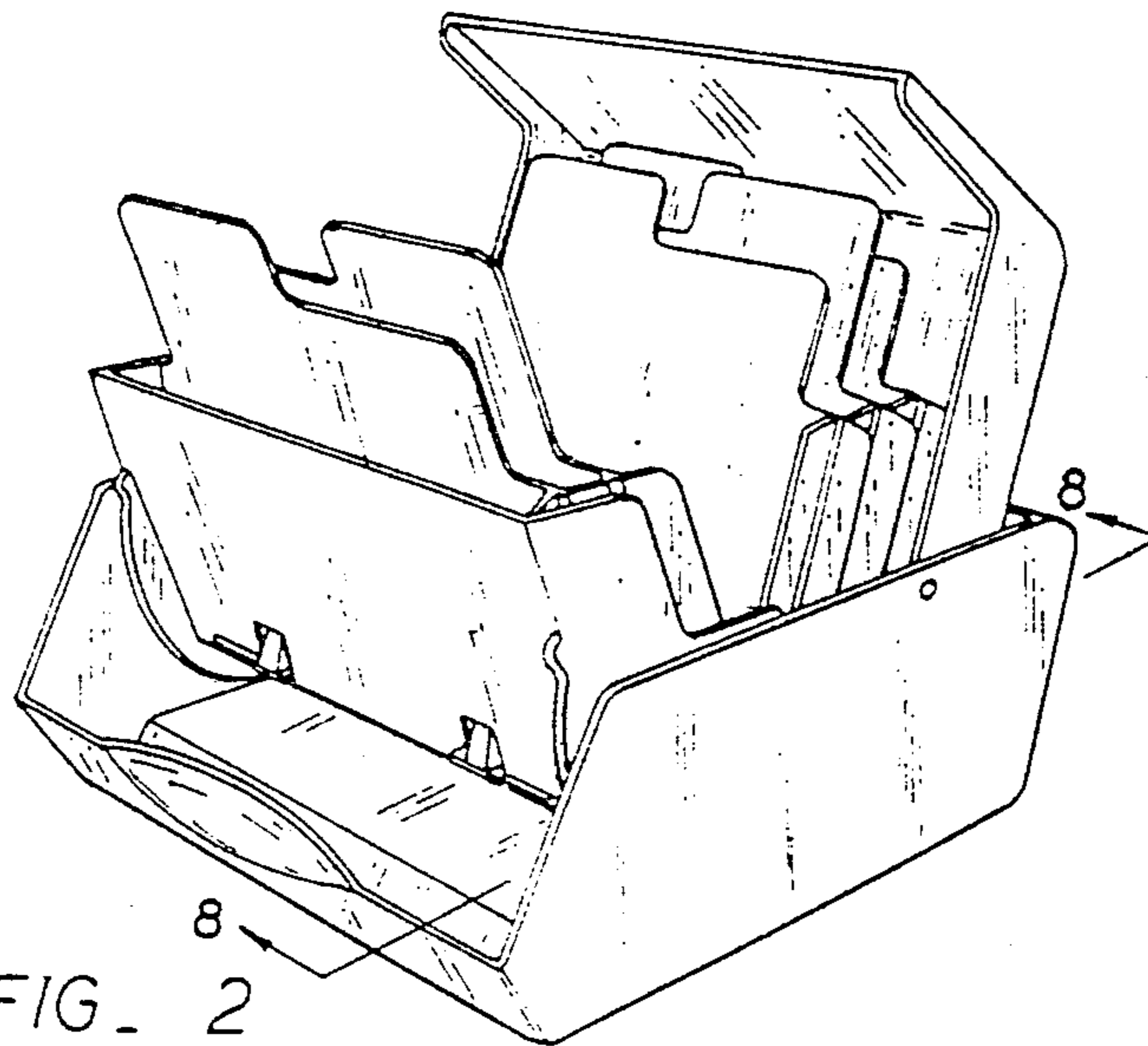
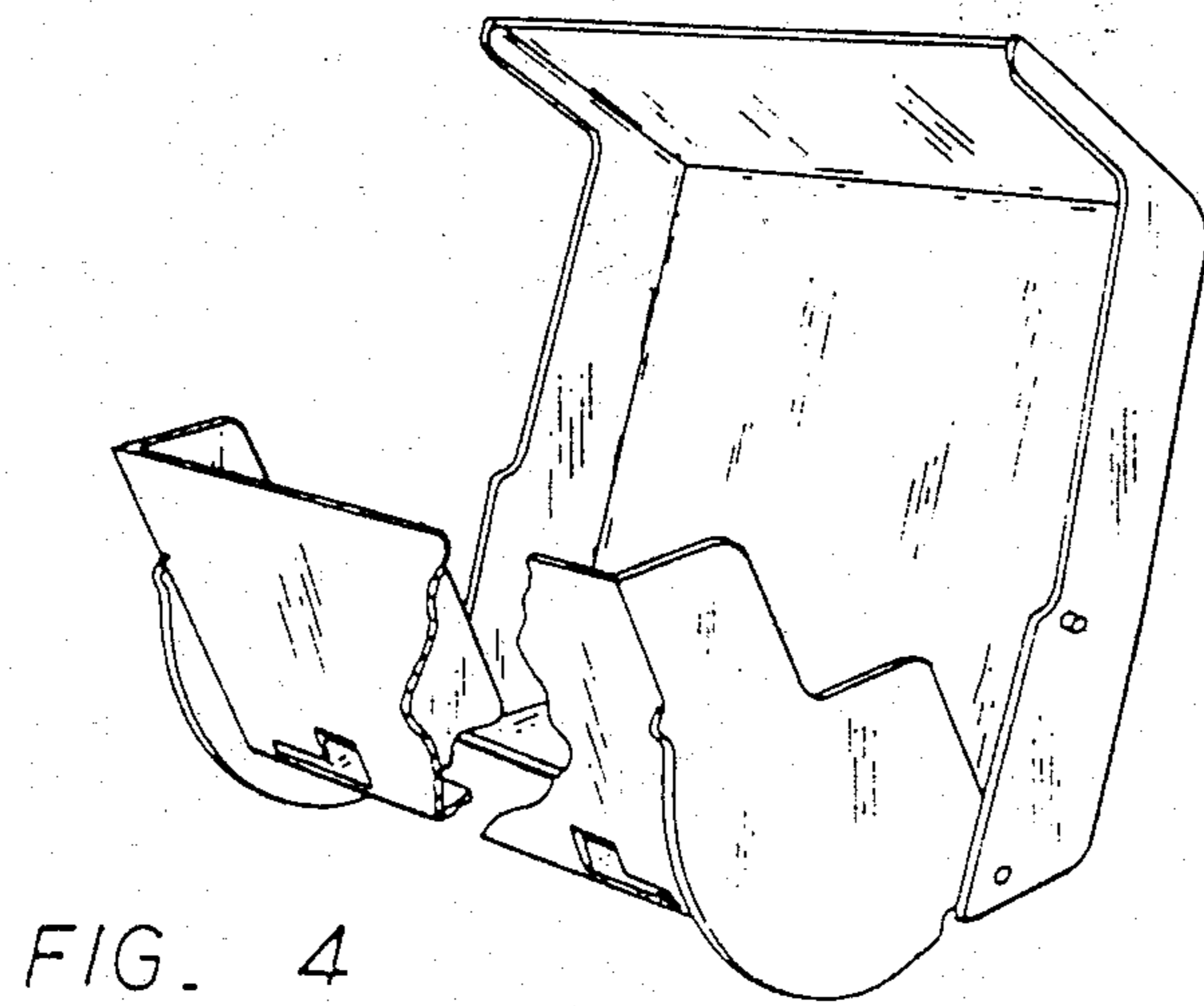
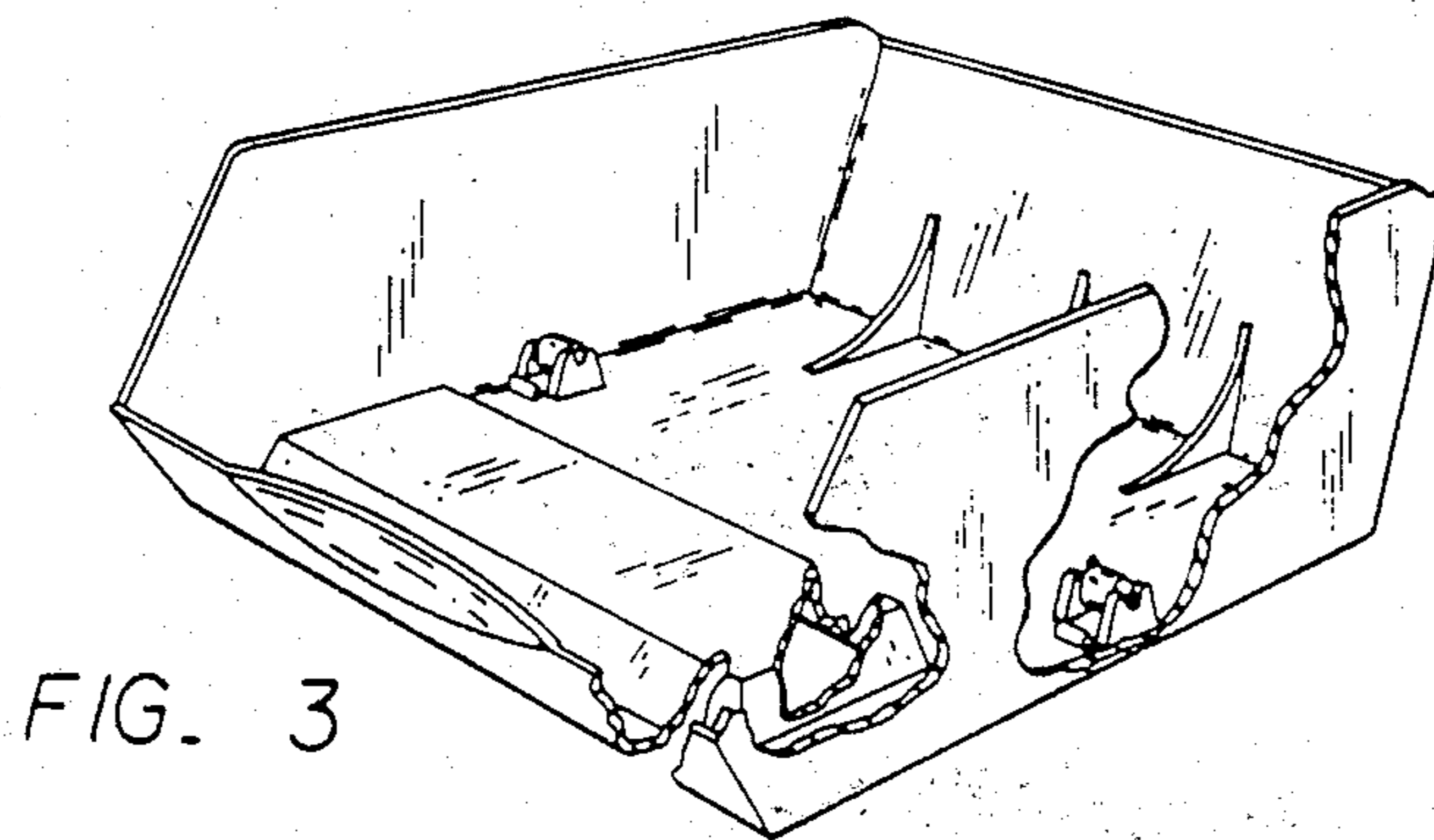
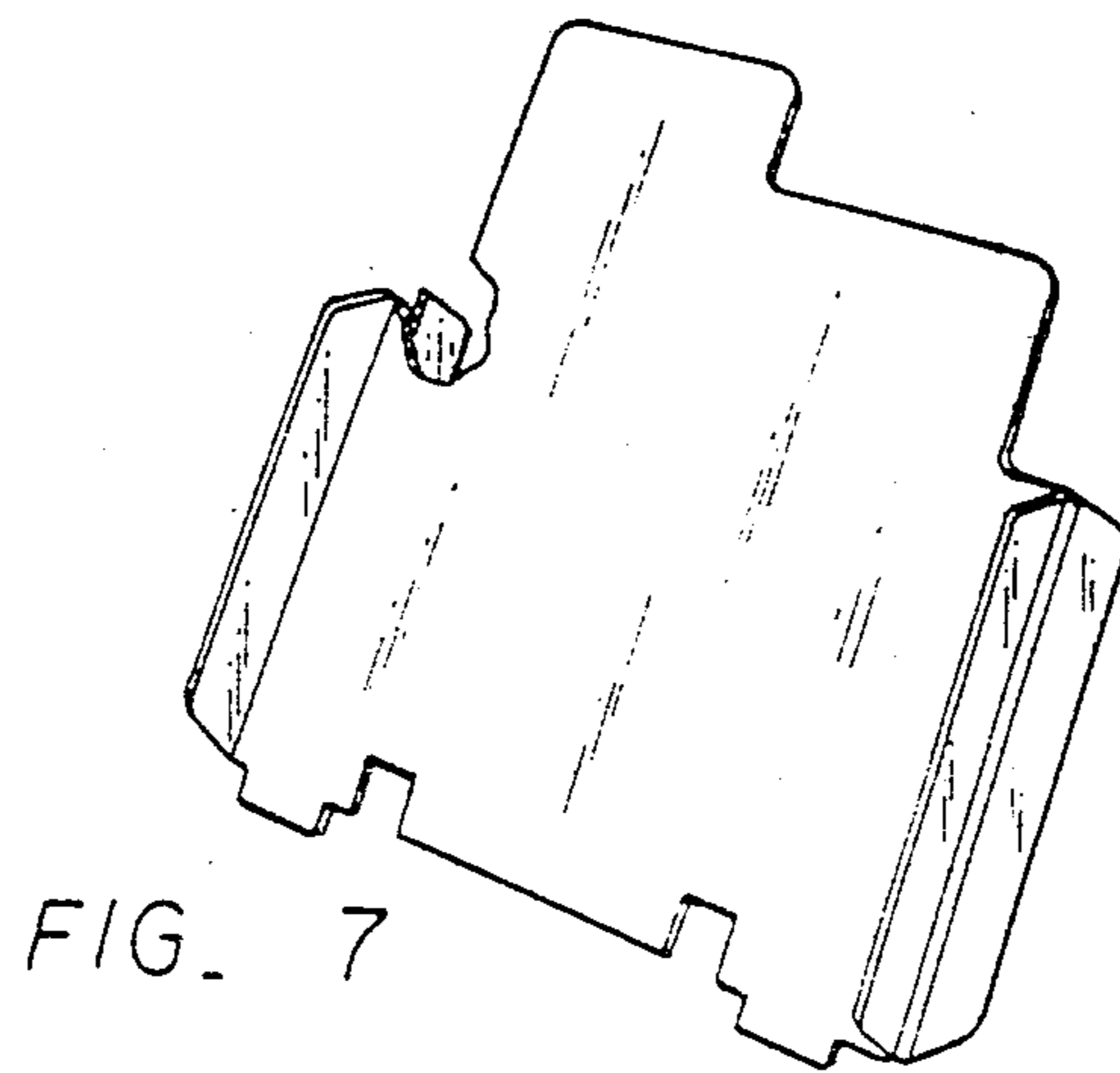
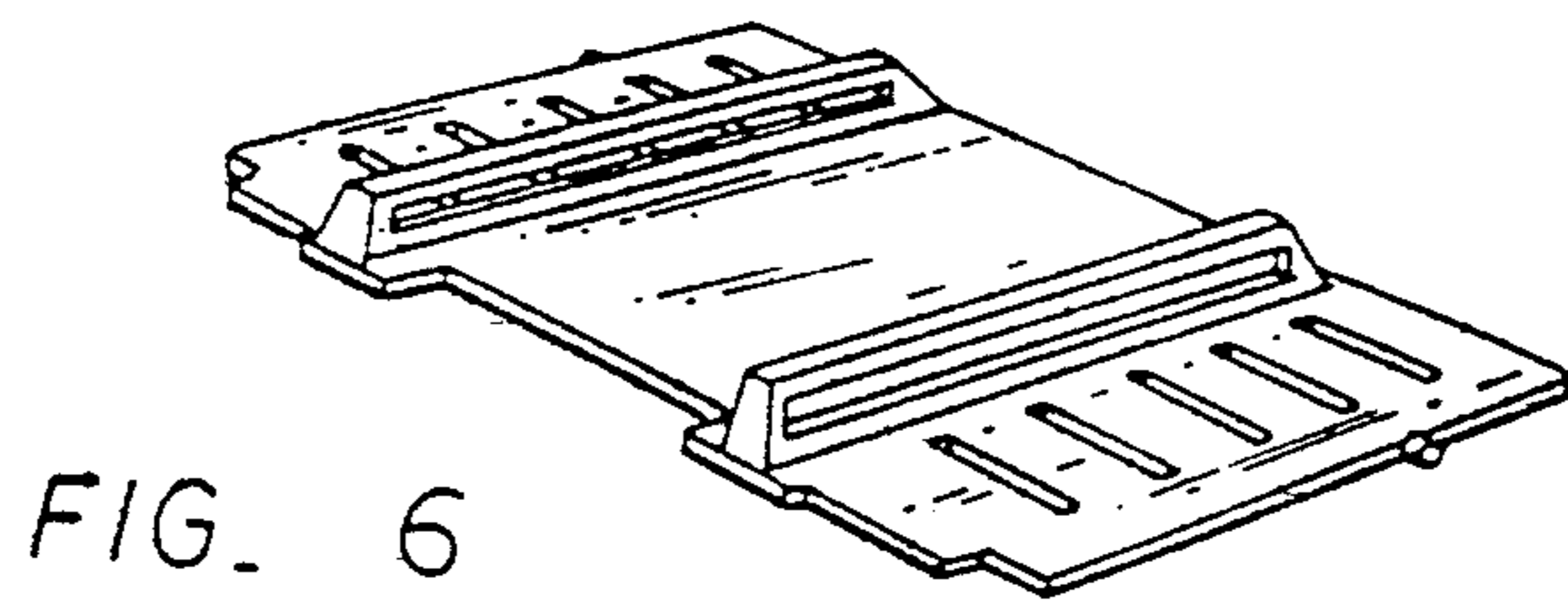
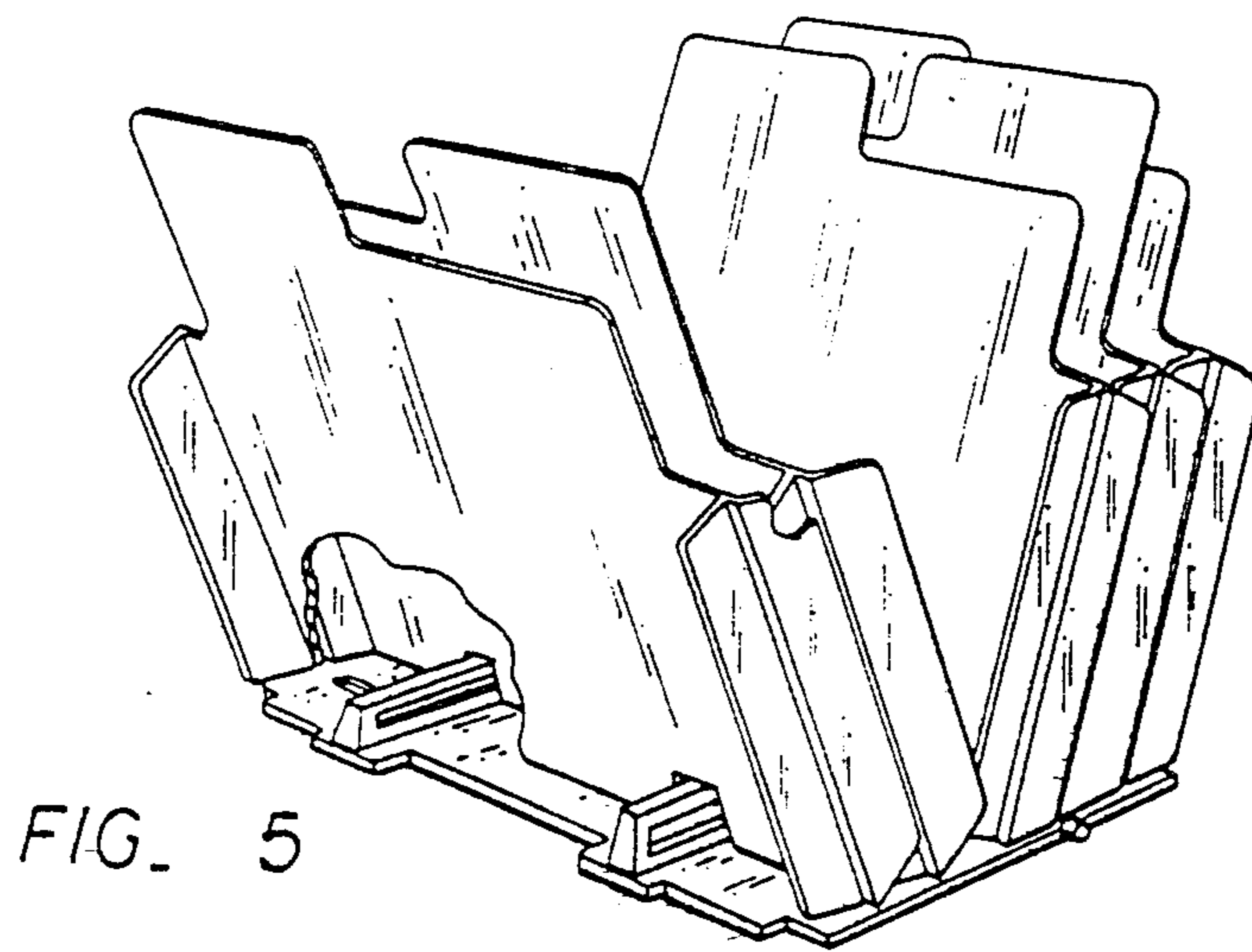


FIG. 2





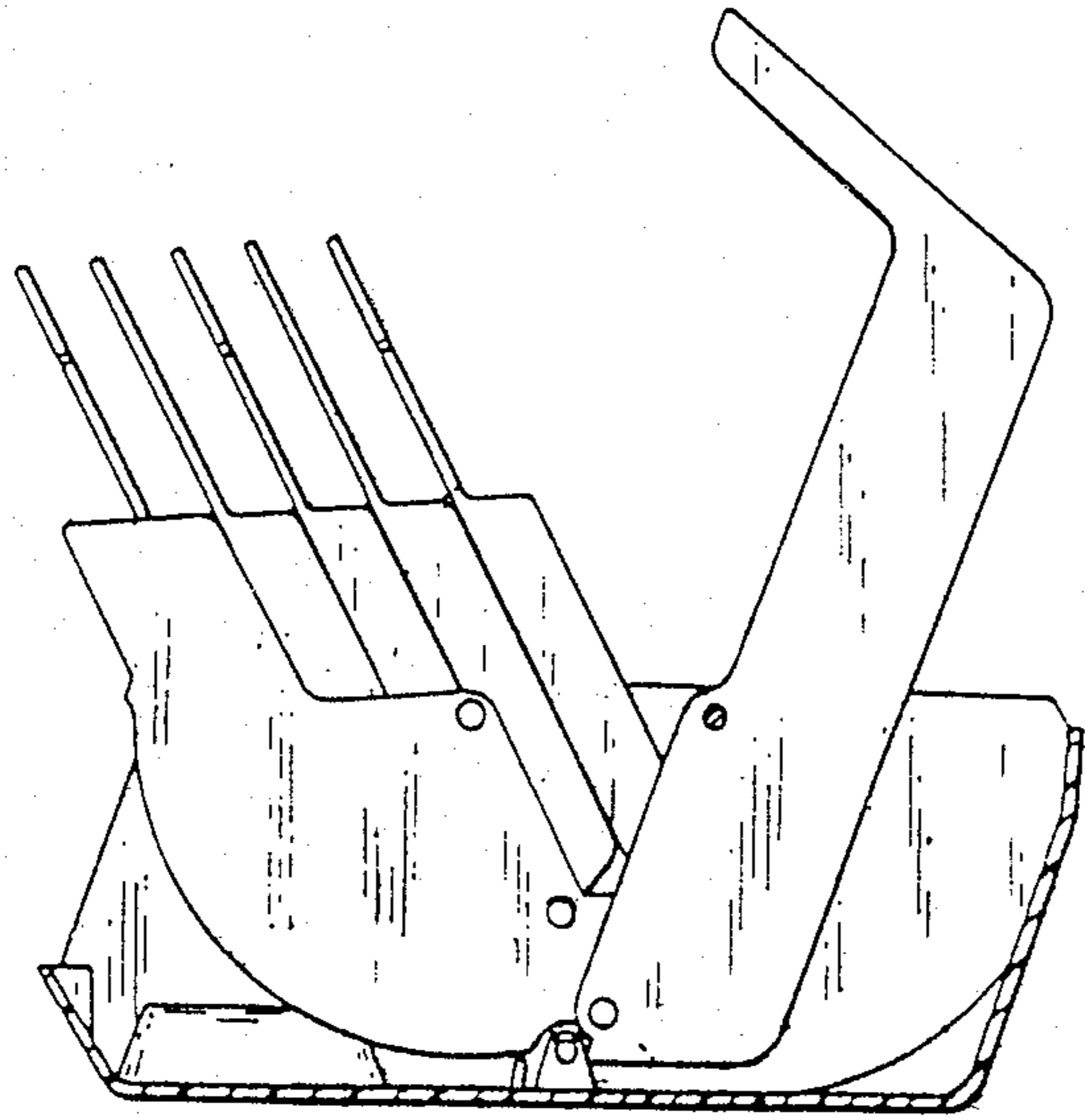


FIG. 8