

[54] **YARN BOBBIN**

[75] **Inventor: H. Wayne Dick, Lexington, N.C.**

[73] **Assignee: PPG Industries, Inc., Pittsburgh, Pa.**

[**] **Term: 14 Years**

[21] **Appl. No.: 514,405**

[22] **Filed: Jul. 18, 1983**

[52] **U.S. Cl. D3/24**

[58] **Field of Search D15/78, 72; D3/24, 25, D3/18; 242/118.3, 118.32**

[56] **References Cited**

U.S. PATENT DOCUMENTS

D. 231,960	7/1974	Naugle	D3/24
D. 235,282	6/1975	Langston Jr.	D3/24
D. 235,338	6/1975	Hamilton	D3/24
242,745	12/1876	Langston, Jr.	D15/78
359,447	3/1887	Keene	242/118.3
913,044	2/1909	Palmer	242/118.3
2,491,585	12/1949	Sammons	D3/24 X

2,535,188	12/1950	Beckner	242/122
3,074,666	1/1963	Hawley	242/118.3
3,141,631	7/1964	Krebs	242/118.3
3,165,564	1/1965	Howle et al.	264/80
3,746,275	7/1973	Whisnant	242/118.32
3,851,838	12/1974	Biggs, Jr. et al.	242/118.32
3,900,168	8/1975	Hamilton	242/118.32
3,910,513	10/1975	Gellin	242/18

Primary Examiner—Bernard Ansher

Assistant Examiner—Linda Titolo

Attorney, Agent, or Firm—John E. Curley

[57] **CLAIM**

The ornamental design for a yarn bobbin, as shown and described.

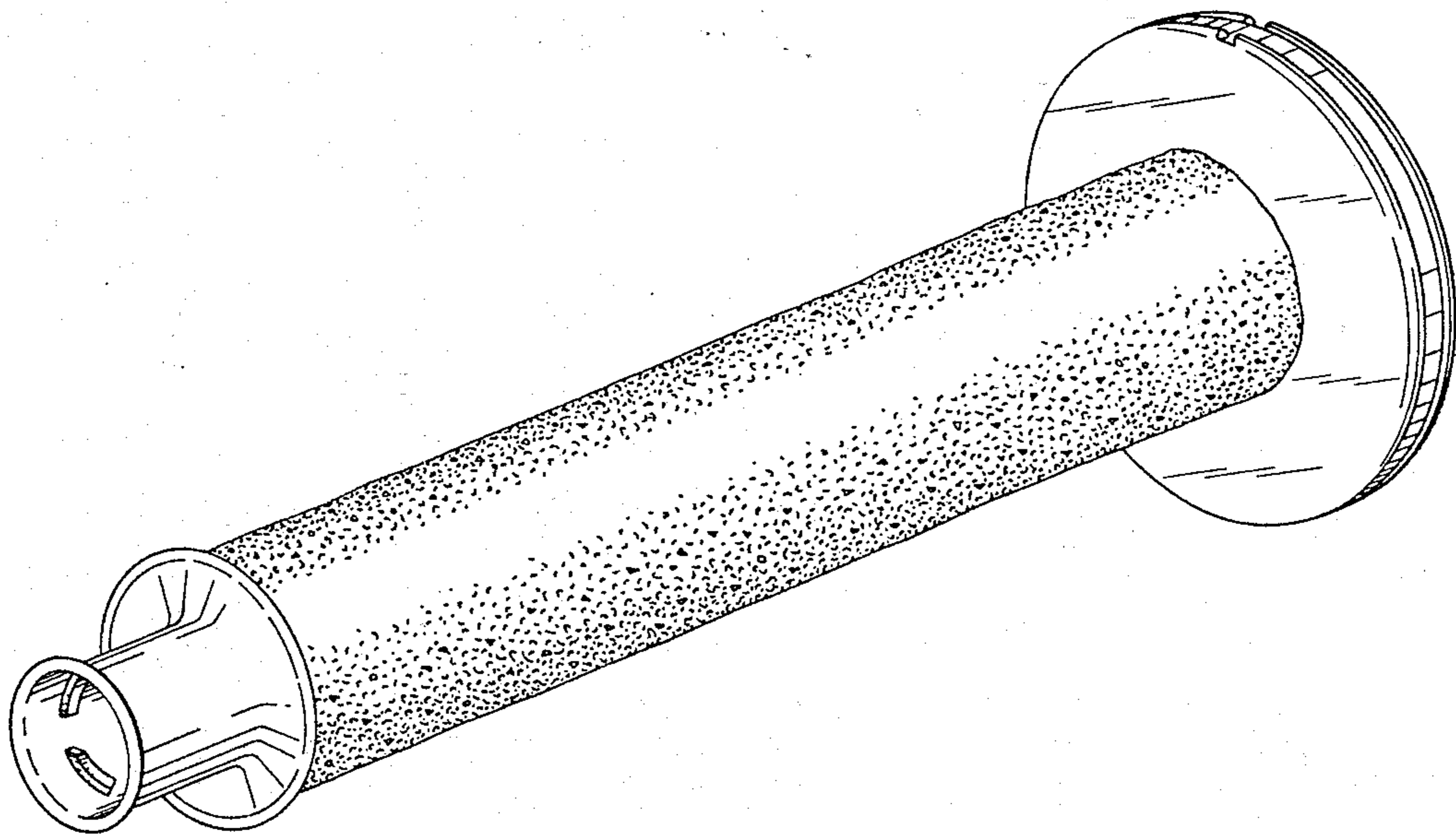
DESCRIPTION

FIG. 1 is a perspective view of a yarn bobbin showing my new design.

FIG. 2 is a bottom plan view thereof;

FIG. 3 is a side elevational view thereof; and

FIG. 4 is a top plan view thereof.



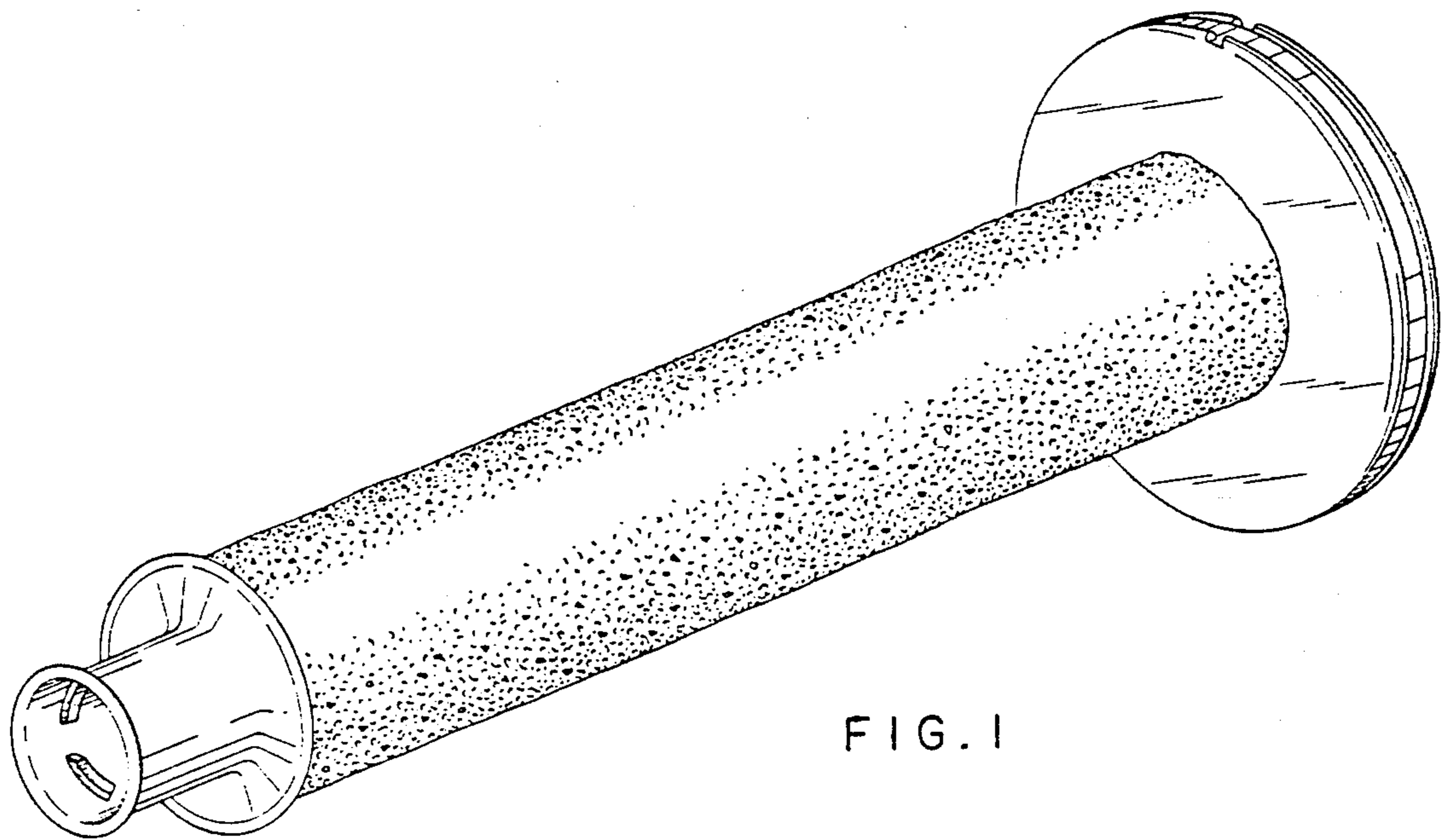


FIG. 1

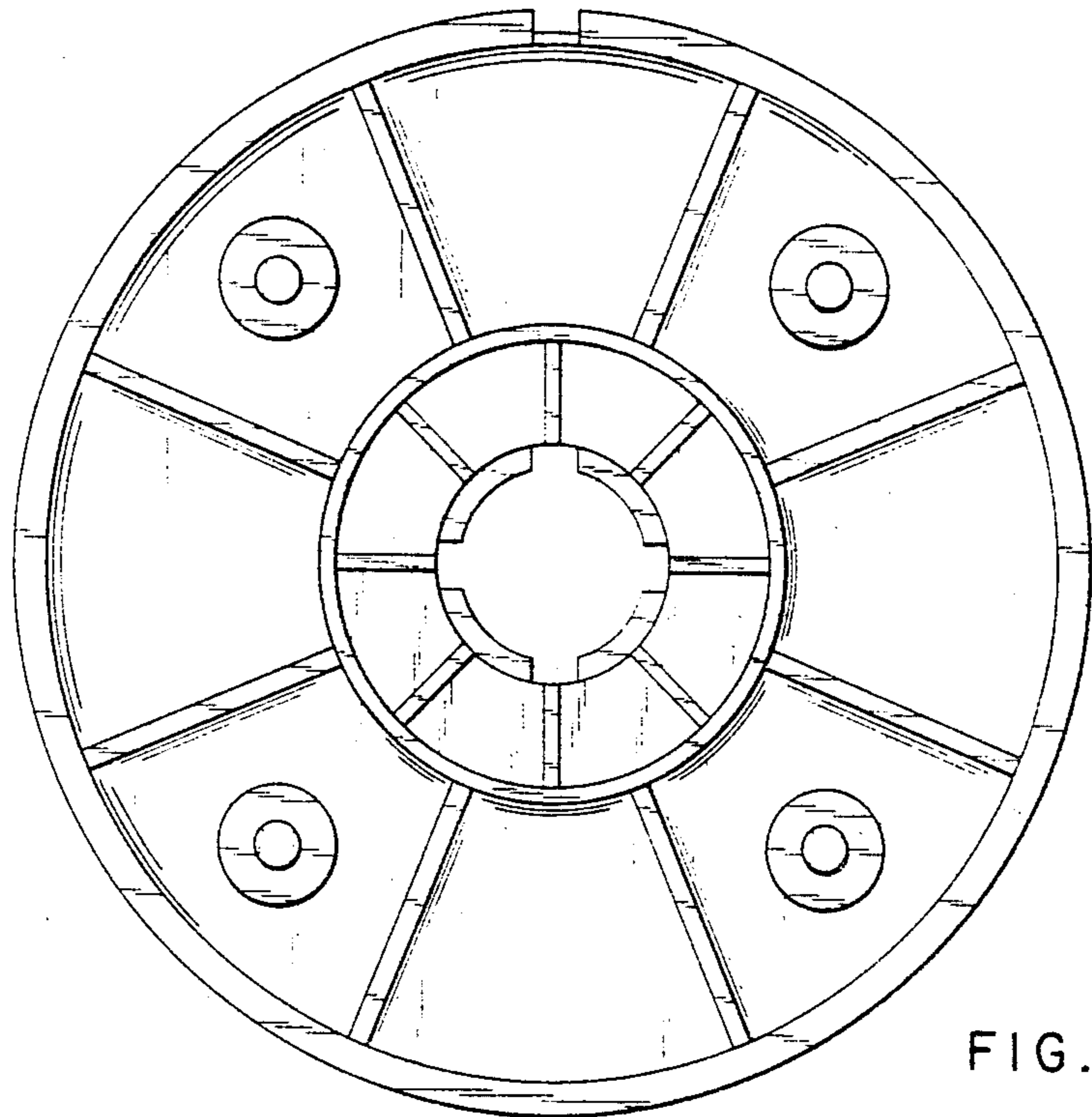


FIG. 2

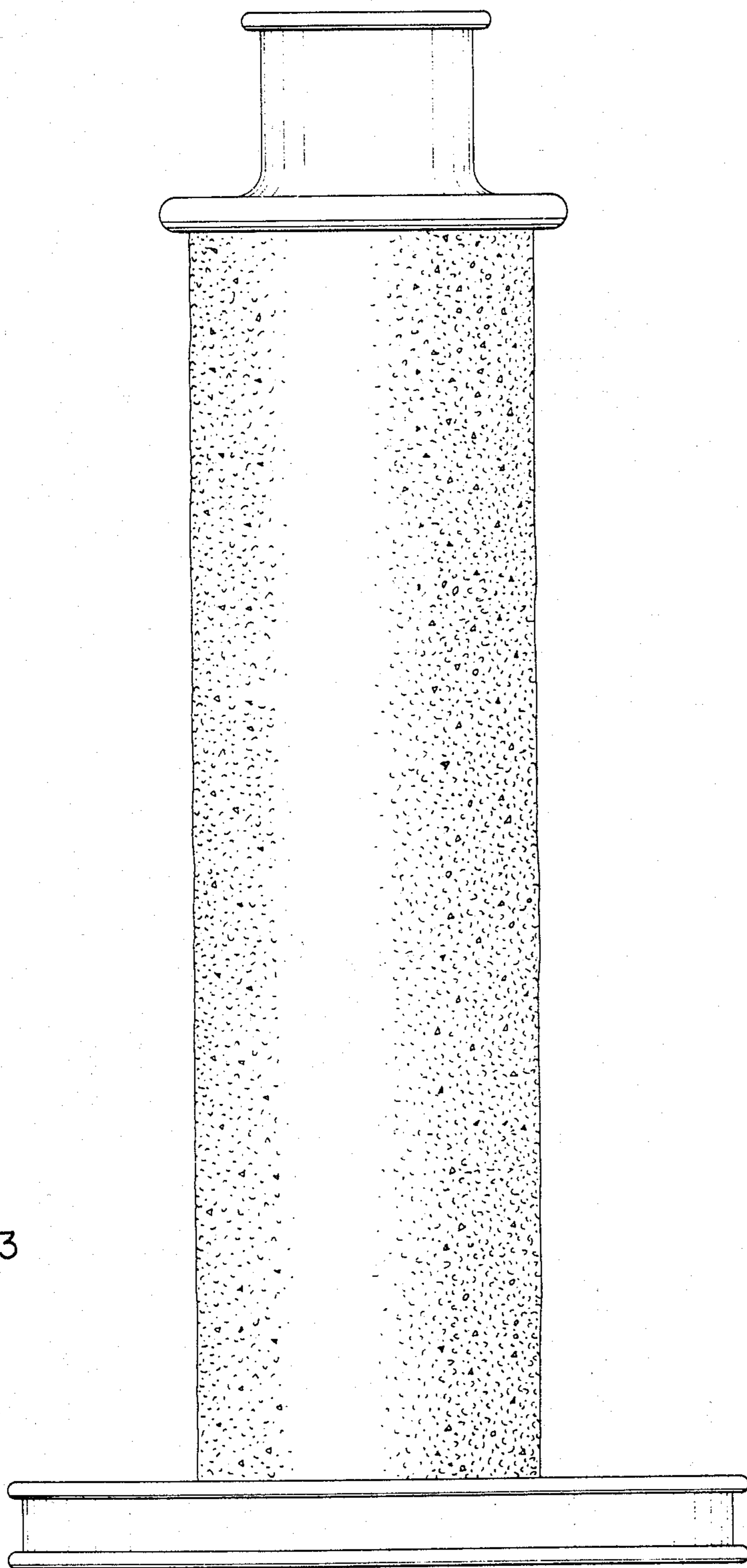


FIG. 3

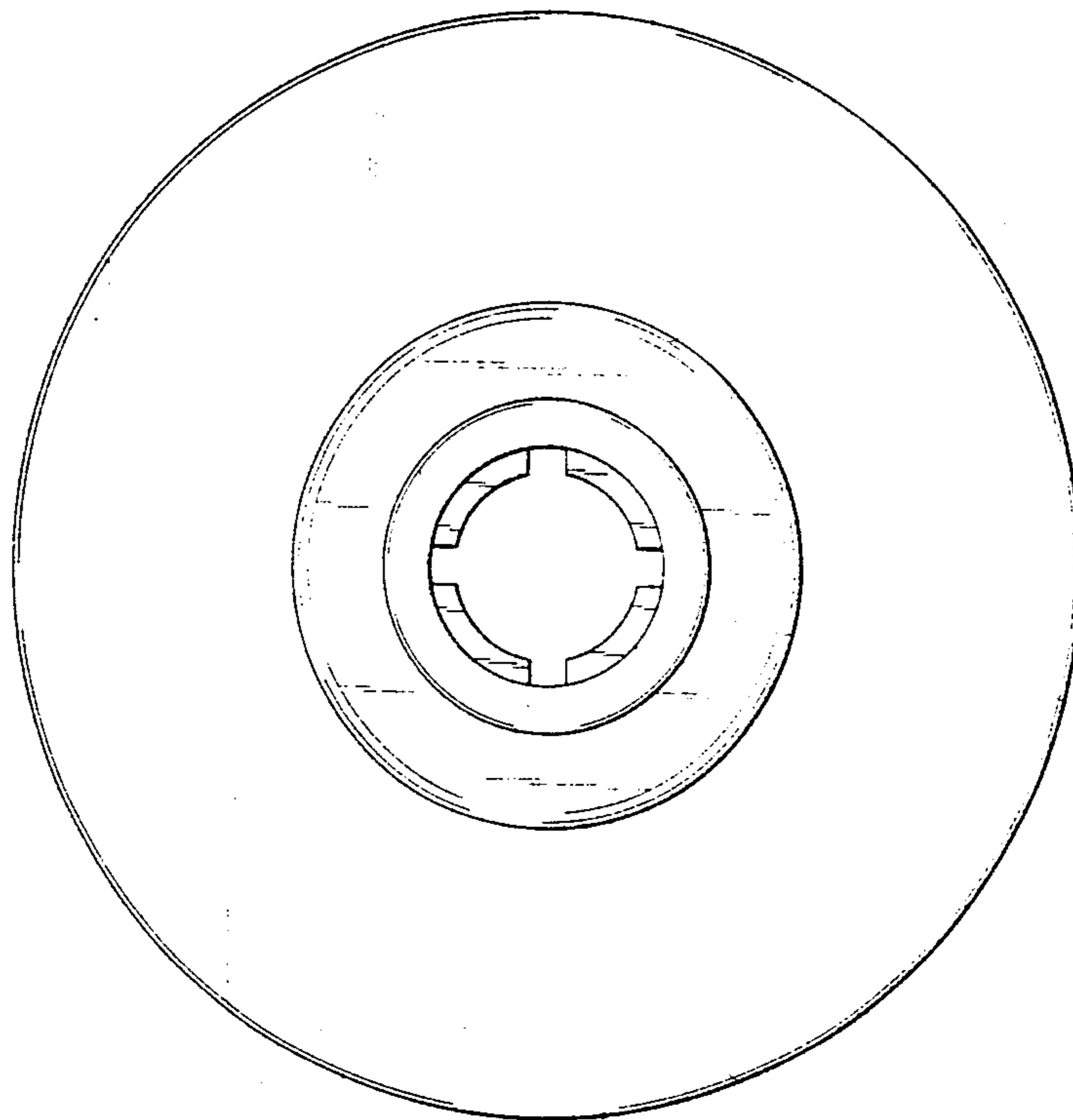


FIG. 4