

[54] APPARATUS FOR SORTING AND COUNTING BANK NOTES

[75] Inventor: Yoshiaki Nishida, Tokyo, Japan

[73] Assignee: Tokyo Shibaura Denki Kabushiki Kaisha, Japan

[**] Term: 14 Years

[21] Appl. No.: 524,597

[22] Filed: Aug. 19, 1983

[30] Foreign Application Priority Data

Mar. 8, 1983 [JP] Japan 58-9258

[52] U.S. Cl. D99/28

[58] Field of Search D99/28, 43, 99; D14/100, 102, 105, 106, 115; 109/10, 24.1, 66, 19; 186/37; 232/1 D, 1 R; 235/379-382; D25/16, 35

[56] References Cited

U.S. PATENT DOCUMENTS

D. 266,113 9/1982 Eppler et al. D99/28
683,465 10/1901 Hicks 232/1 R
684,232 10/1901 Harrison 232/1 R X

2,827,167 3/1958 Joseph et al. 209/534
3,976,198 8/1976 Carnes, Jr. et al. 209/534
4,357,528 11/1982 Smith et al. 209/534 X

Primary Examiner—Bernard Ansher
Assistant Examiner—Terry Pfeffer
Attorney, Agent, or Firm—Finnegan, Henderson, Farabow, Garrett & Dunner

[57] CLAIM

The ornamental design for apparatus for sorting and counting bank notes, substantially as shown and described.

DESCRIPTION

FIG. 1 is a front, top and right side perspective view of apparatus for sorting and counting bank notes showing my new design;
FIG. 2 is a front elevational view thereof;
FIG. 3 is a right side elevational view thereof;
FIG. 4 is a rear elevational view thereof;
FIG. 5 is a left side elevational view thereof;
FIG. 6 is a top plan view thereof;
FIG. 7 is a bottom plan view thereof; and
FIG. 8 is a perspective view of FIG. 1 with the front door opened.

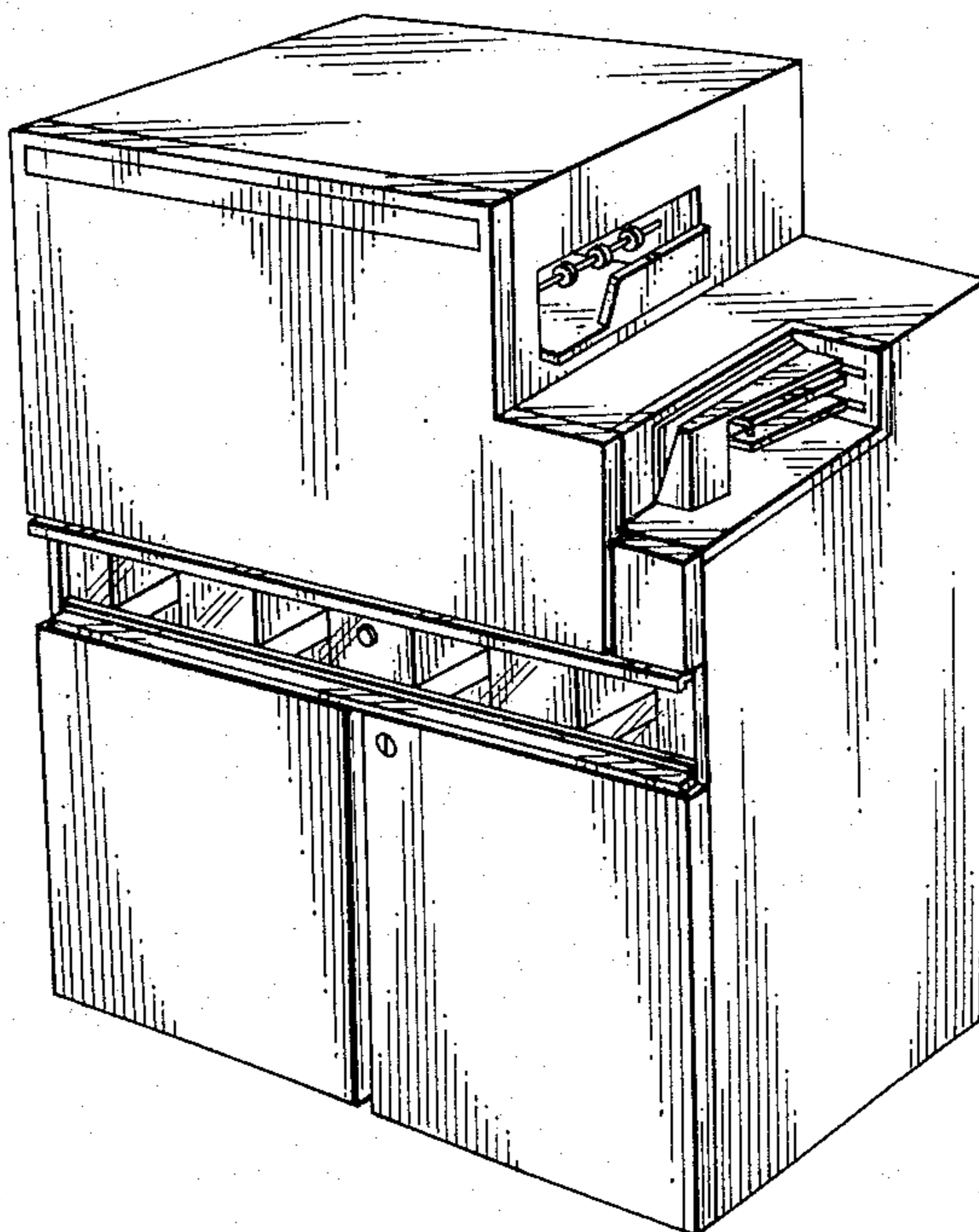


FIG. 1

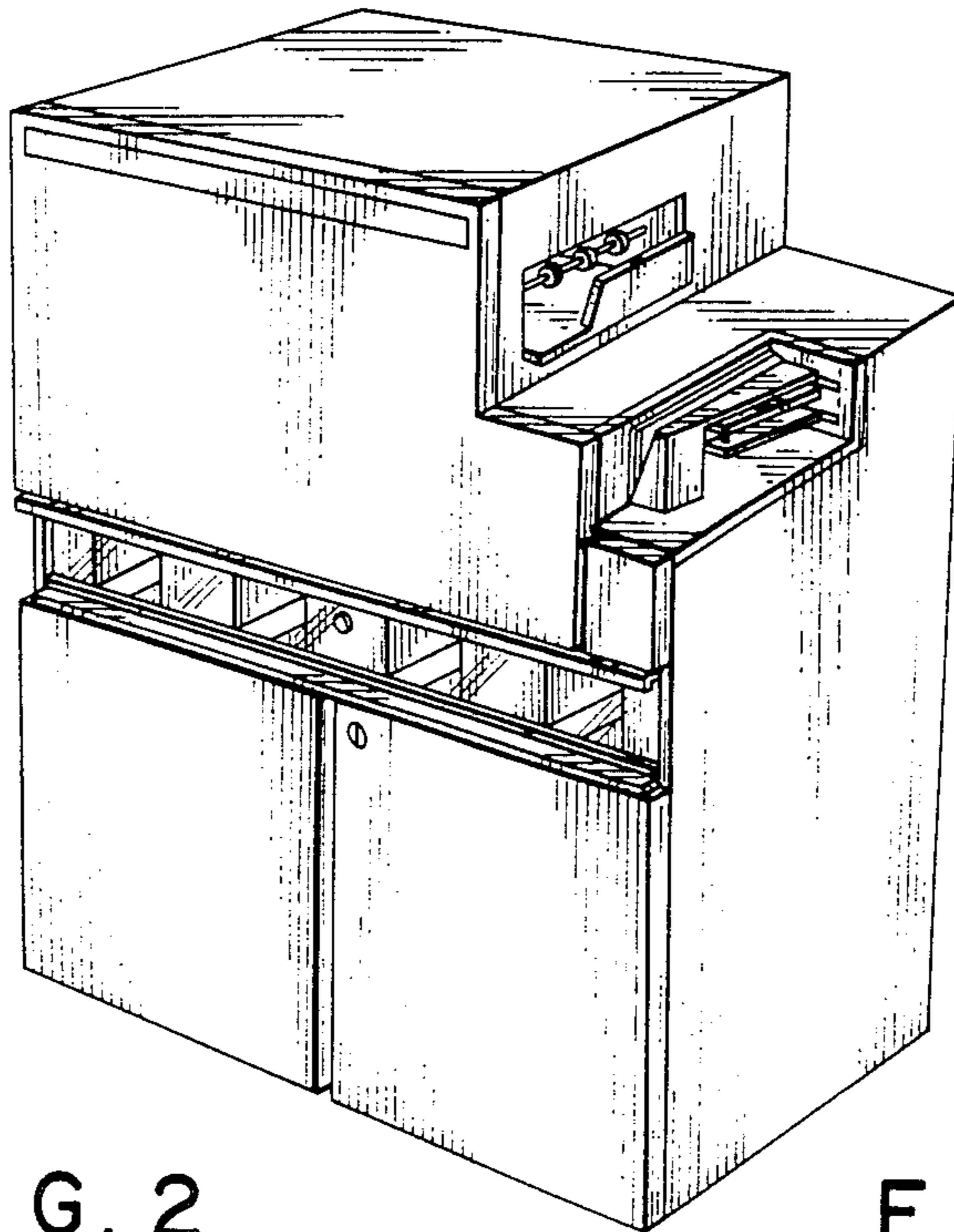


FIG. 2

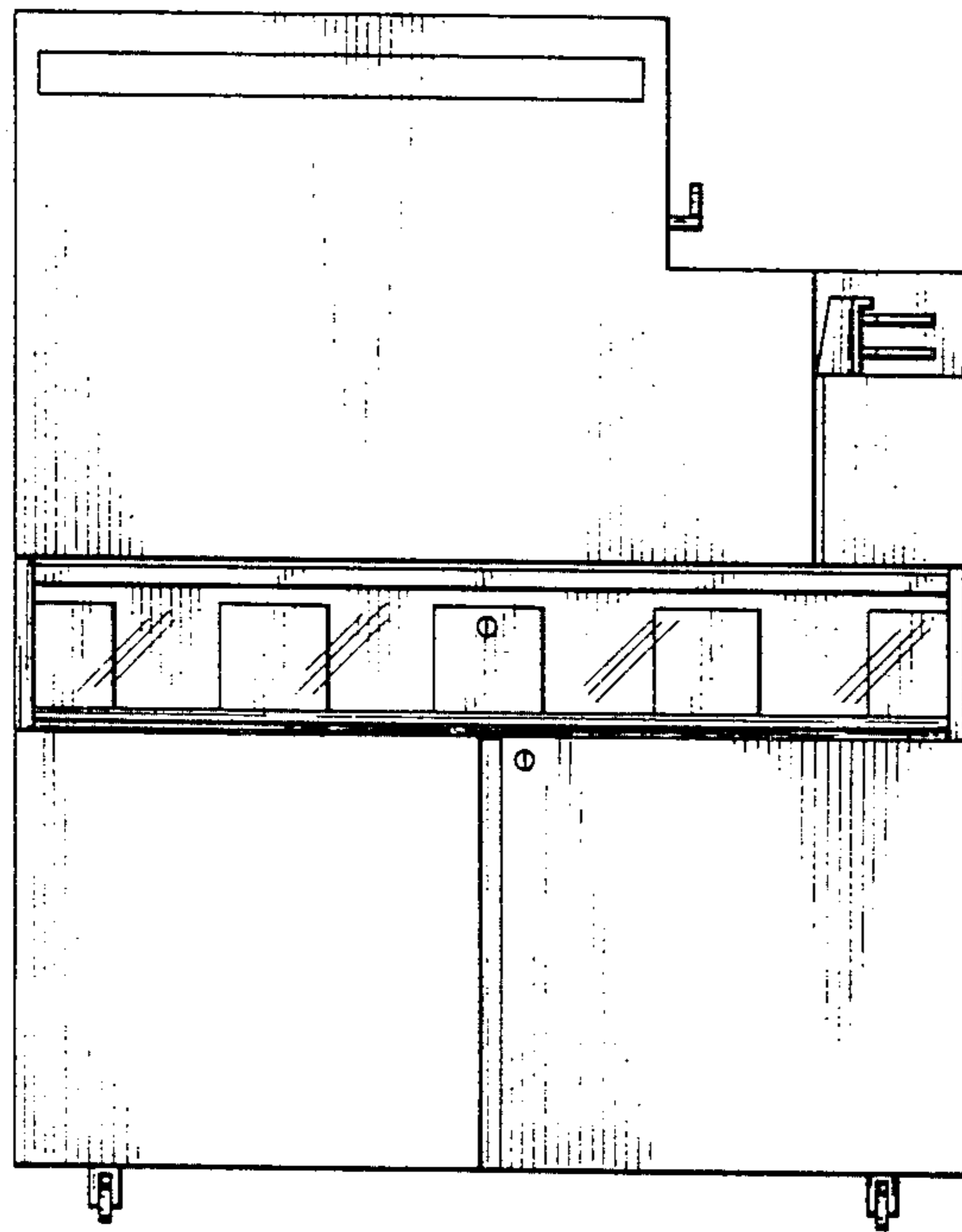


FIG. 3

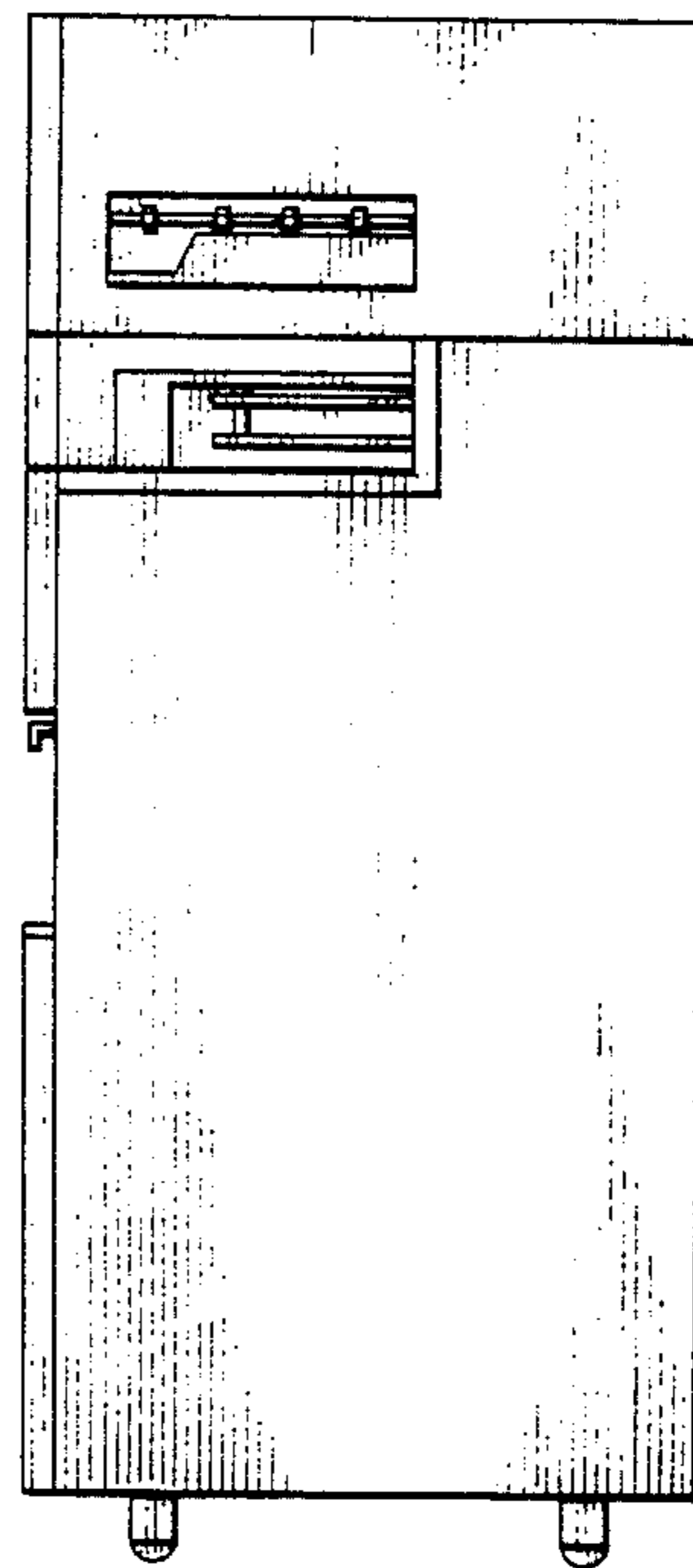


FIG. 4

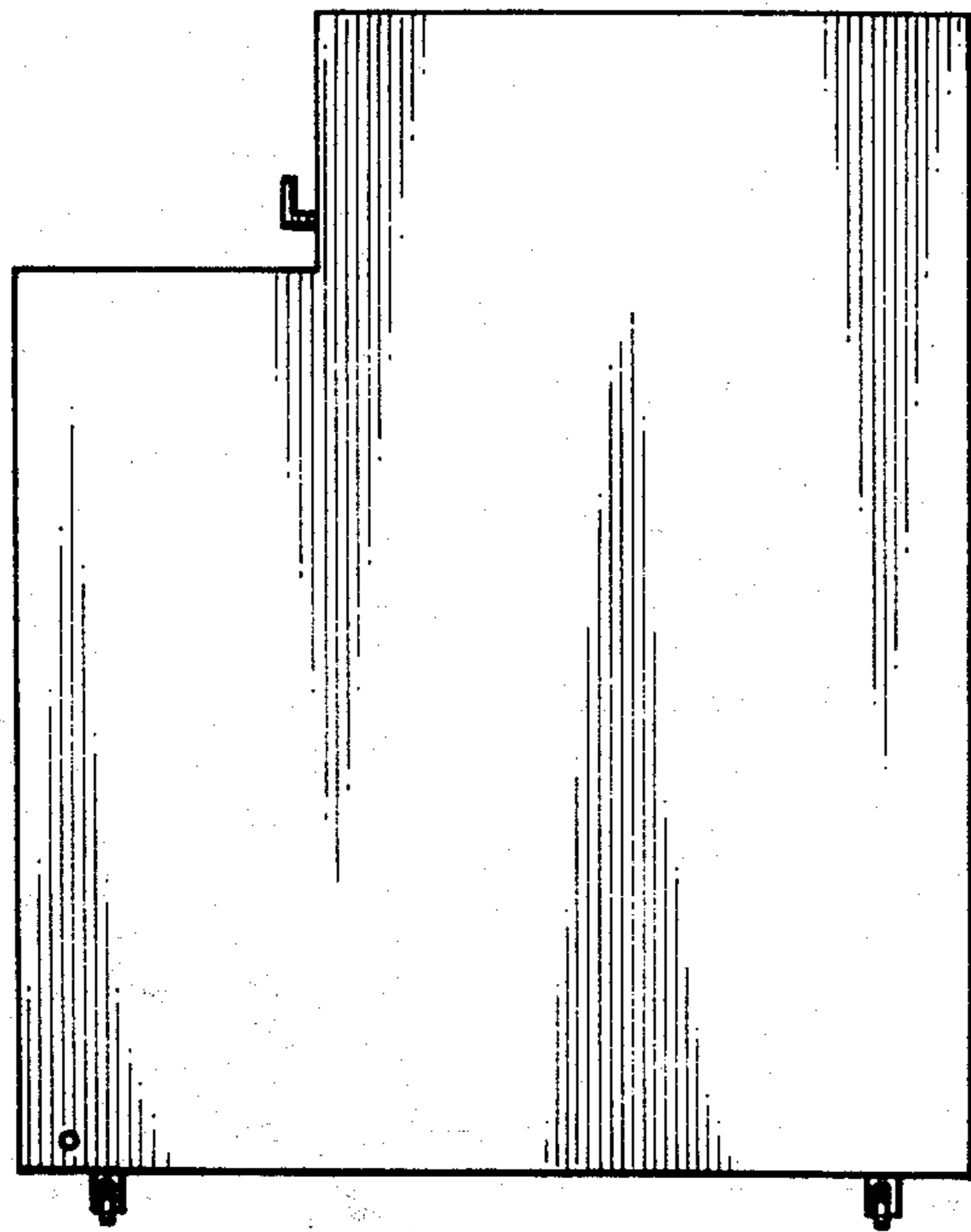


FIG. 5

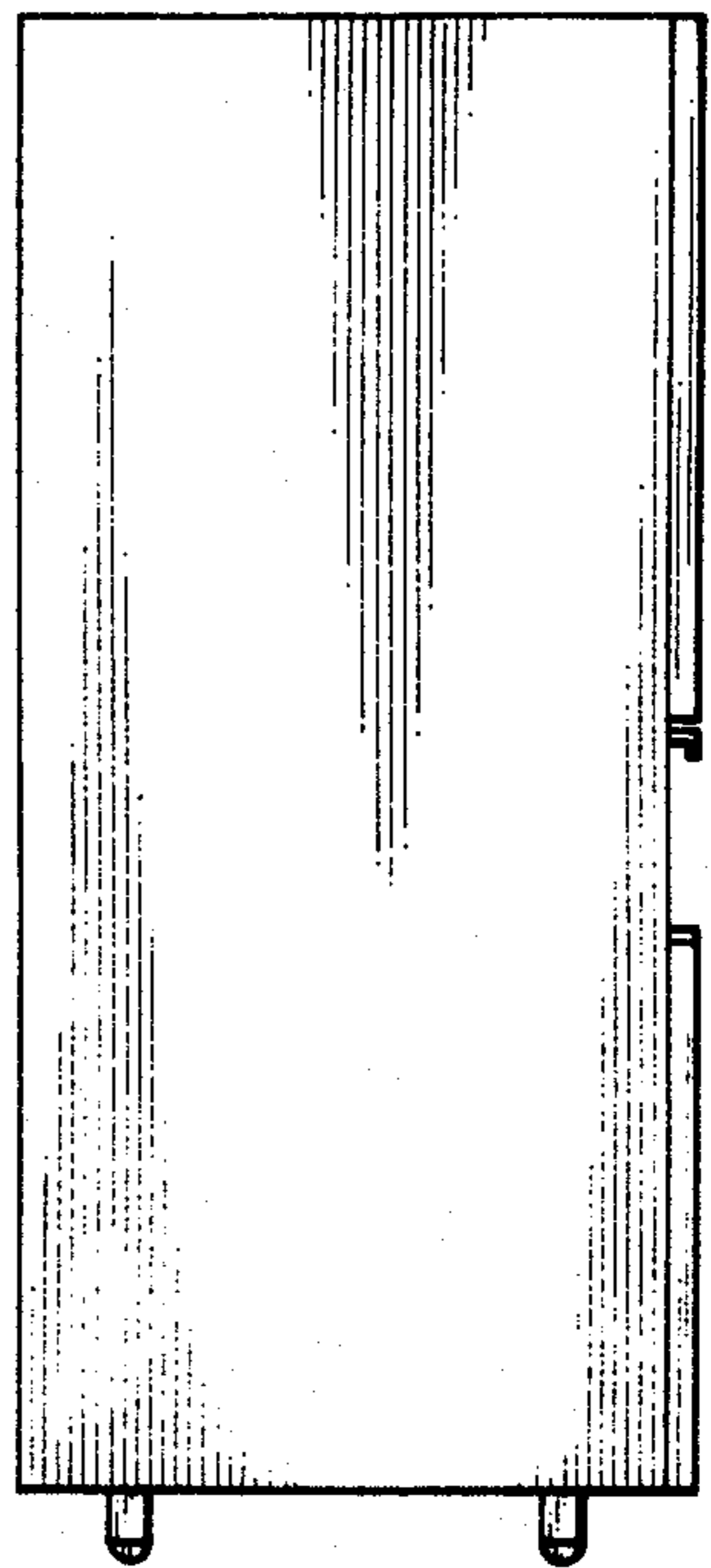


FIG. 6

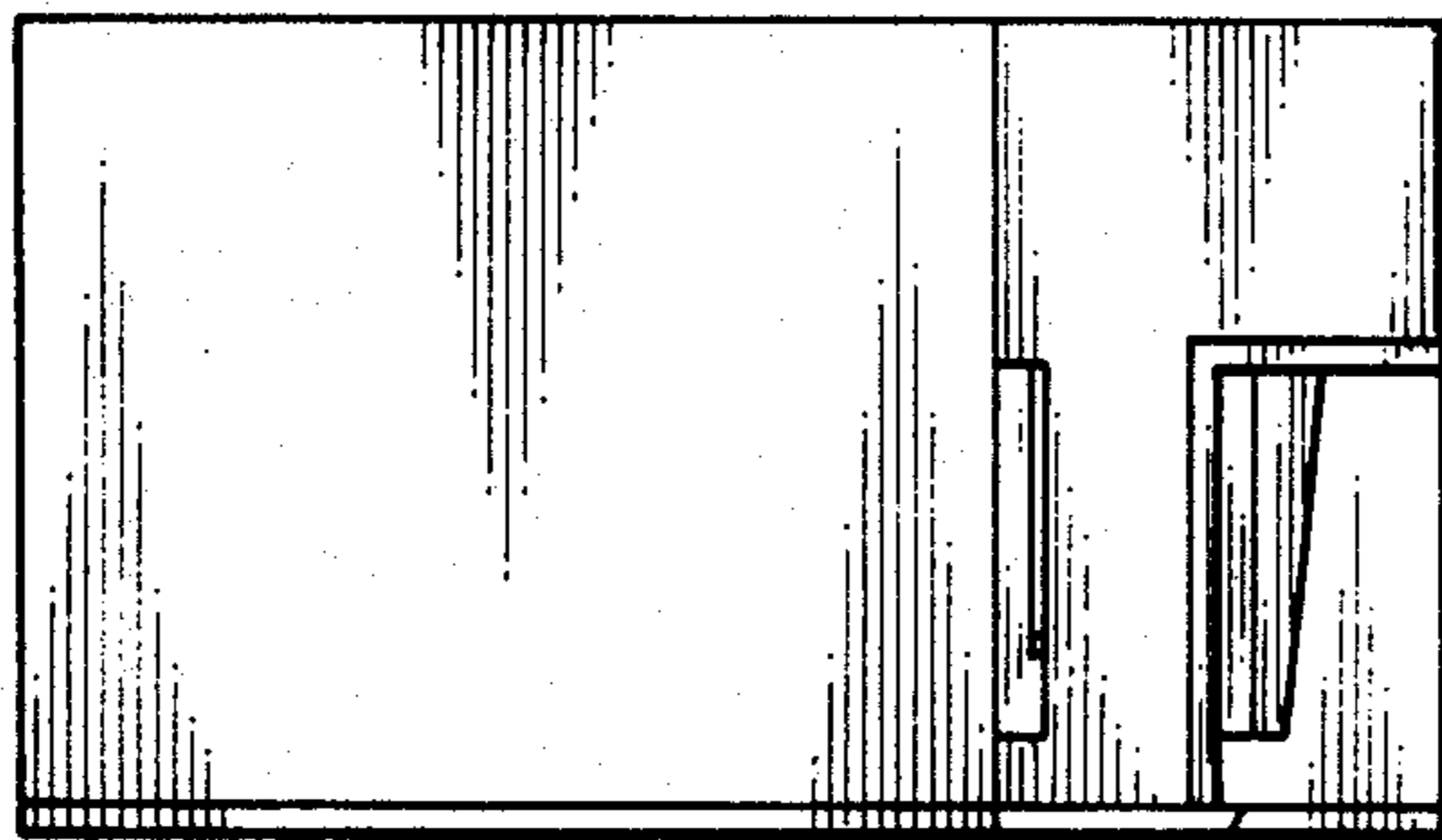


FIG. 7

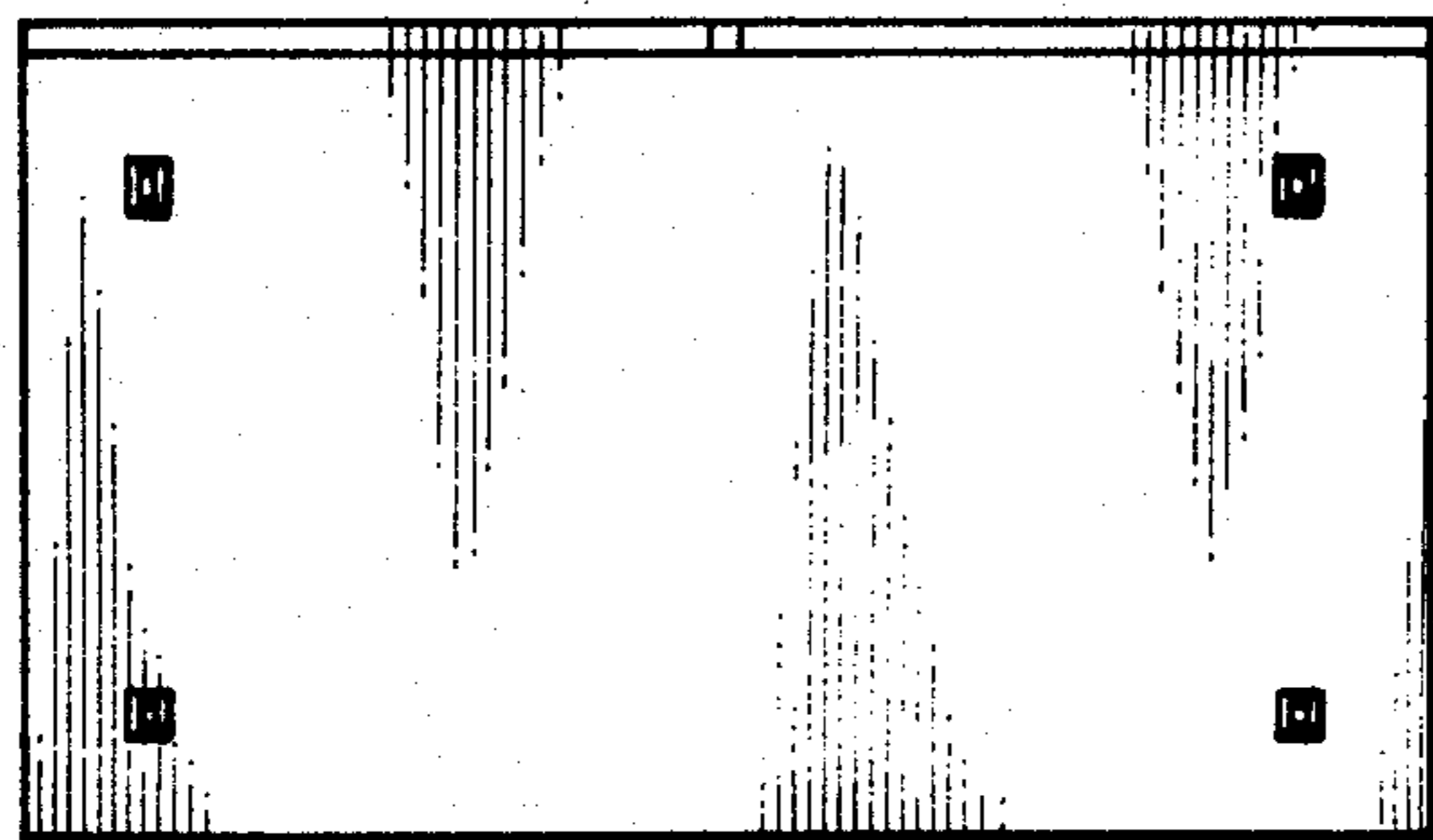


FIG. 8

