

[54] AUTOMATIC TELLER MACHINE

[75] Inventor: Elizabeth A. Kusenberg, Charlotte, N.C.

[73] Assignee: International Business Machines Corporation, Armonk, N.Y.

[**] Term: 14 Years

[21] Appl. No.: 550,678

[22] Filed: Nov. 10, 1983

[52] U.S. Cl. D99/28

[58] Field of Search D99/28, 43, 99; D14/100, 102, 105, 106, 115; 186/37; 235/379-382; D25/16, 35

[56] References Cited

U.S. PATENT DOCUMENTS

- D. 193,712 10/1962 Inatomi et al. D14/102
- D. 221,772 9/1971 Shelkofsky et al. D14/102
- D. 233,345 10/1974 Kneale et al. D14/102

- D. 250,260 11/1978 Inatomi D14/115
- D. 263,344 3/1982 McCarthy et al. D99/28
- 4,253,016 2/1981 Hirose 235/381

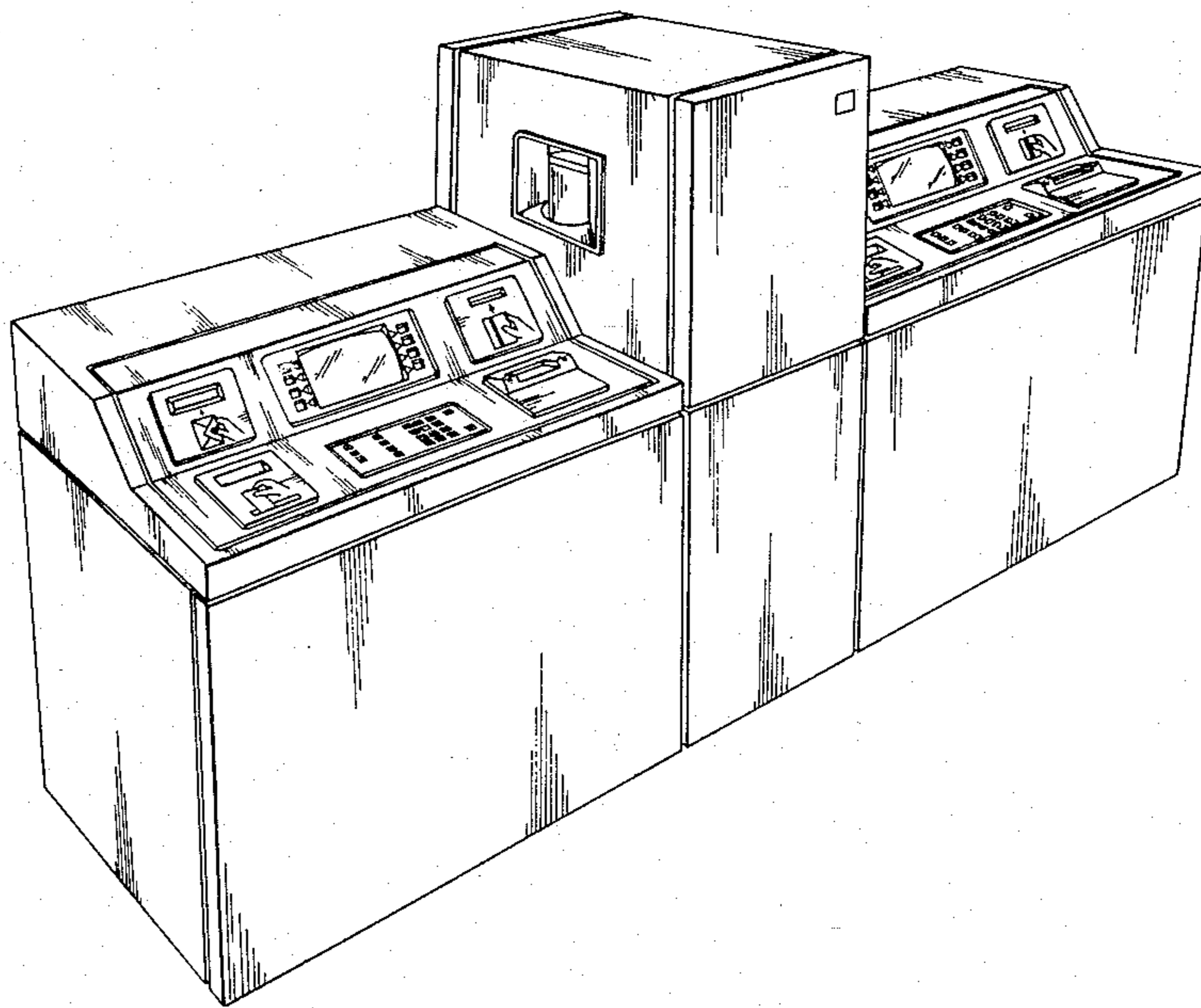
Primary Examiner—Bernard Ansher
Assistant Examiner—Terry Pfeffer
Attorney, Agent, or Firm—Karl O. Hesse

[57] CLAIM

The ornamental design for an automatic teller machine, substantially as shown and described.

DESCRIPTION

FIG. 1 is a top, front, left side perspective view of an automatic teller machine showing my new design; FIG. 2 is a top, rear, right side perspective view thereof; FIG. 3 is a front elevational view thereof; FIG. 4 is a left side elevational view thereof; FIG. 5 is a top plan view thereof; and FIG. 6 is a rear elevational view thereof. The bottom of applicant's design is substantially plain and unadorned.



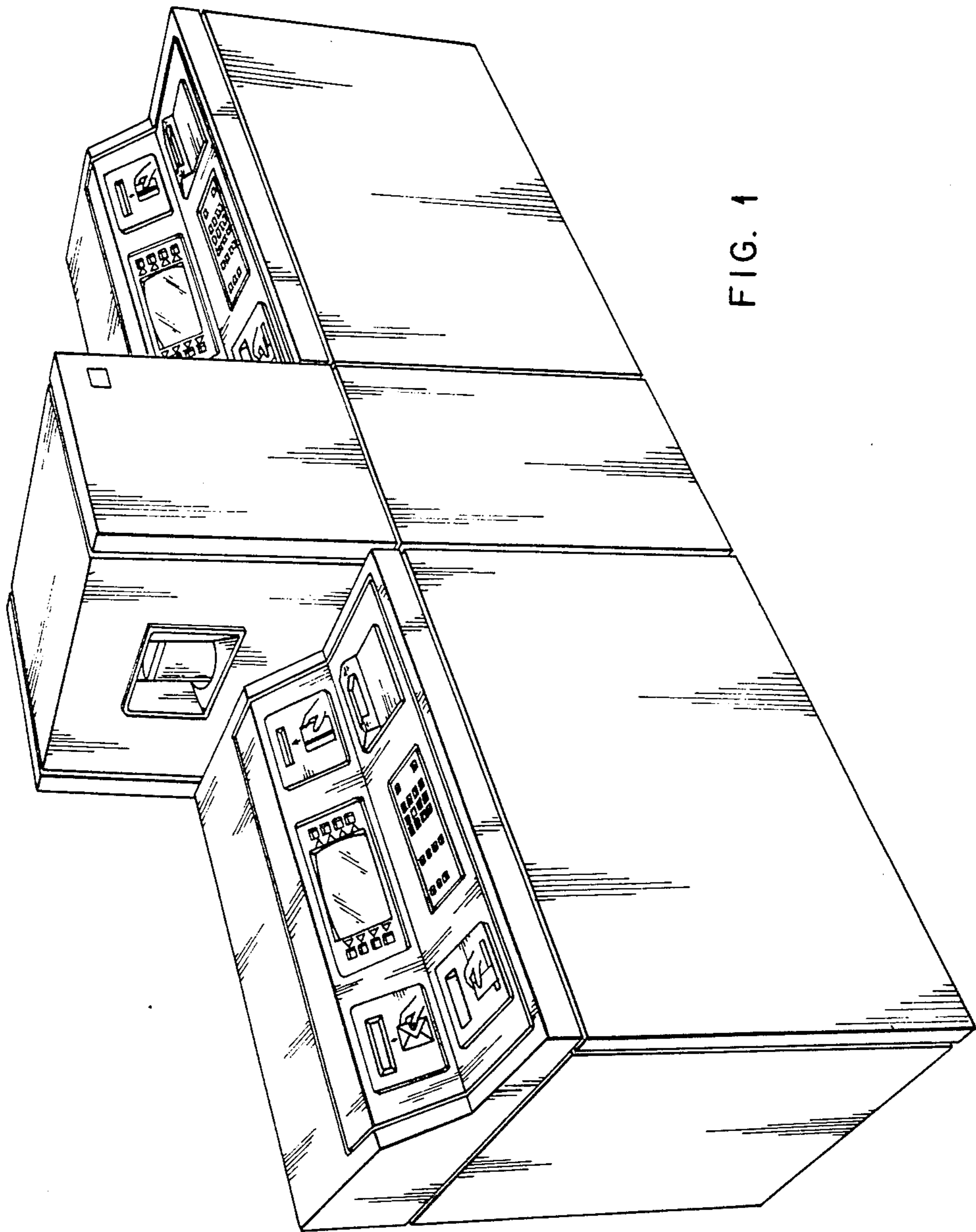


FIG. 1

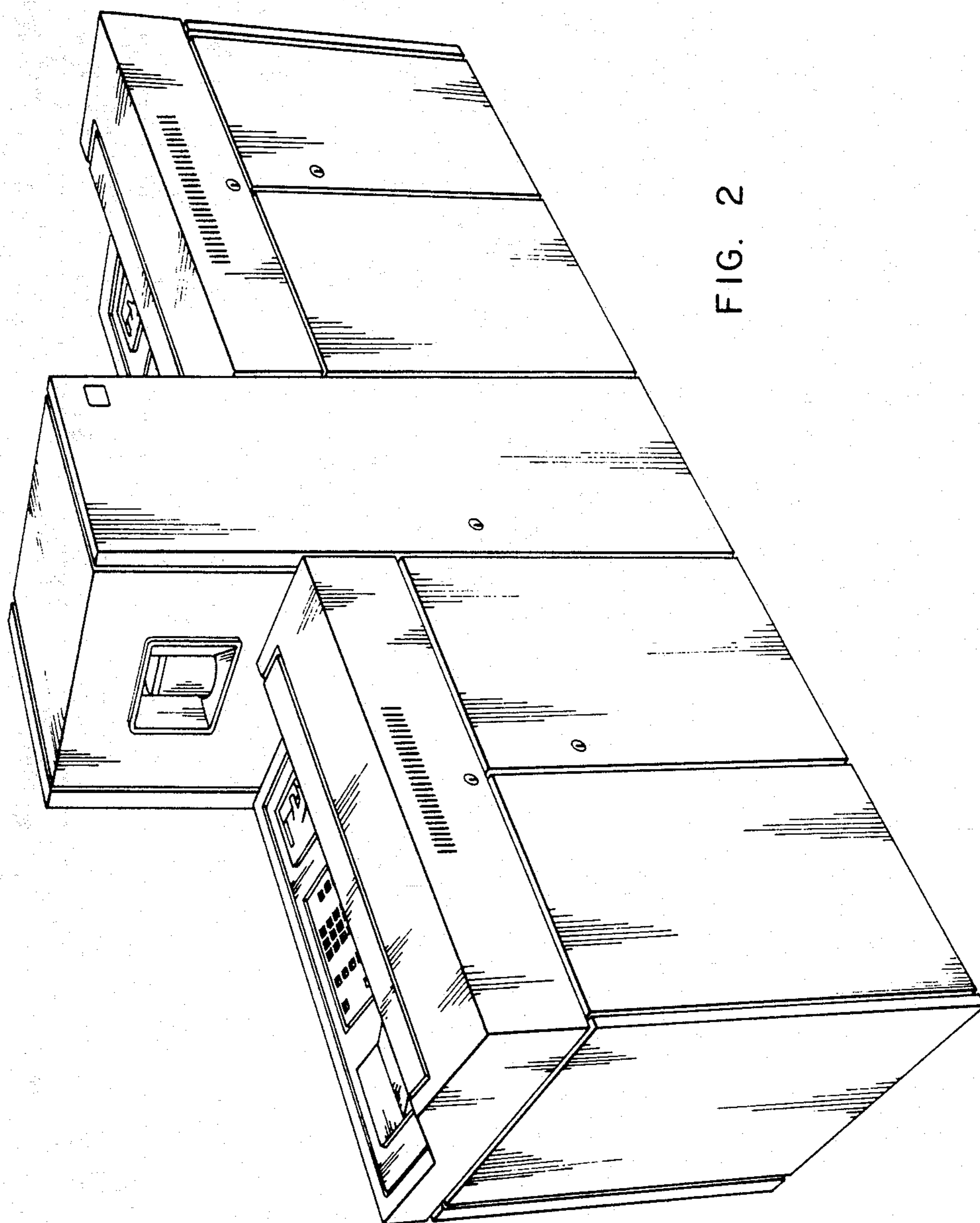


FIG. 2

FIG. 3

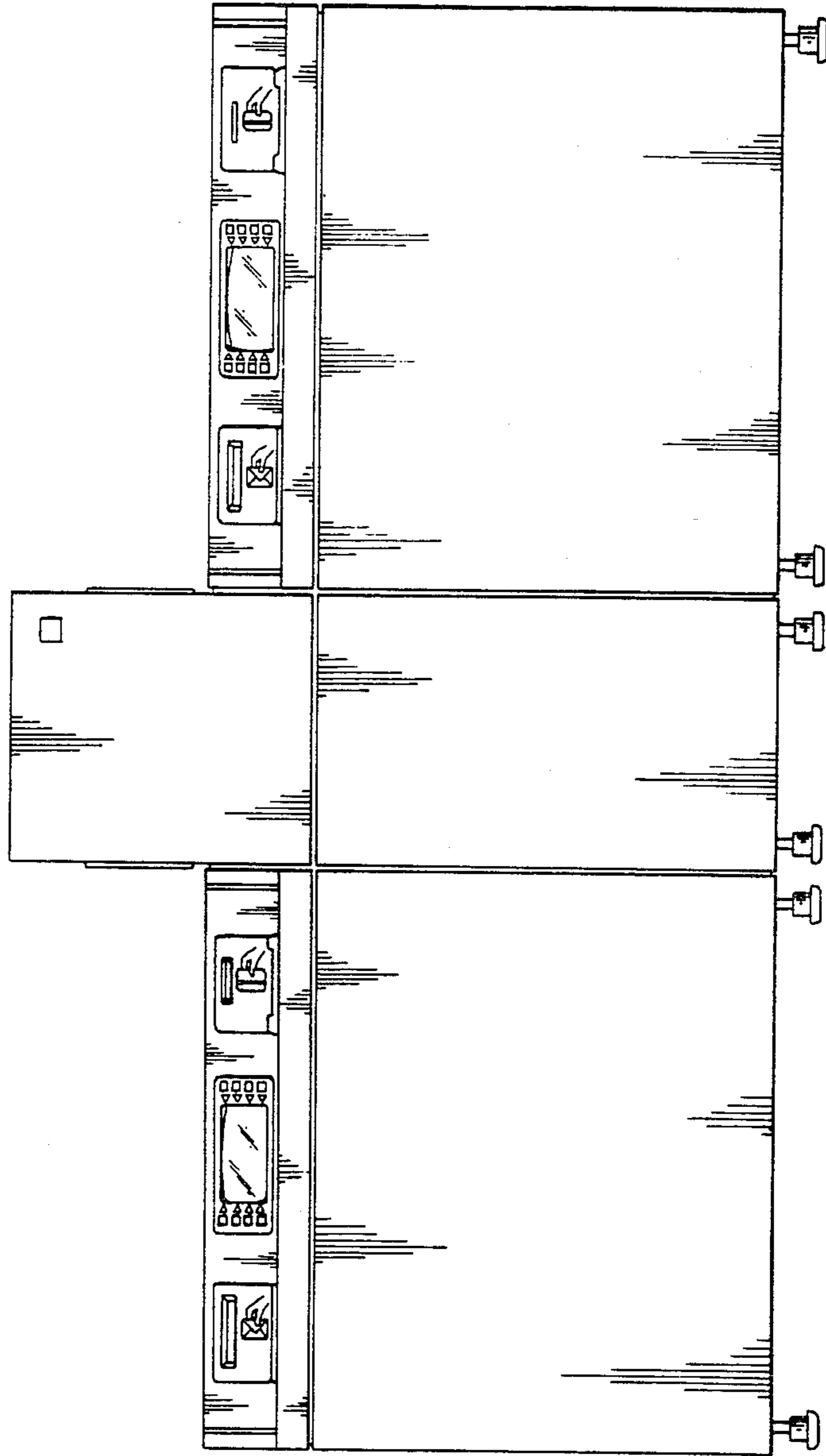


FIG. 4

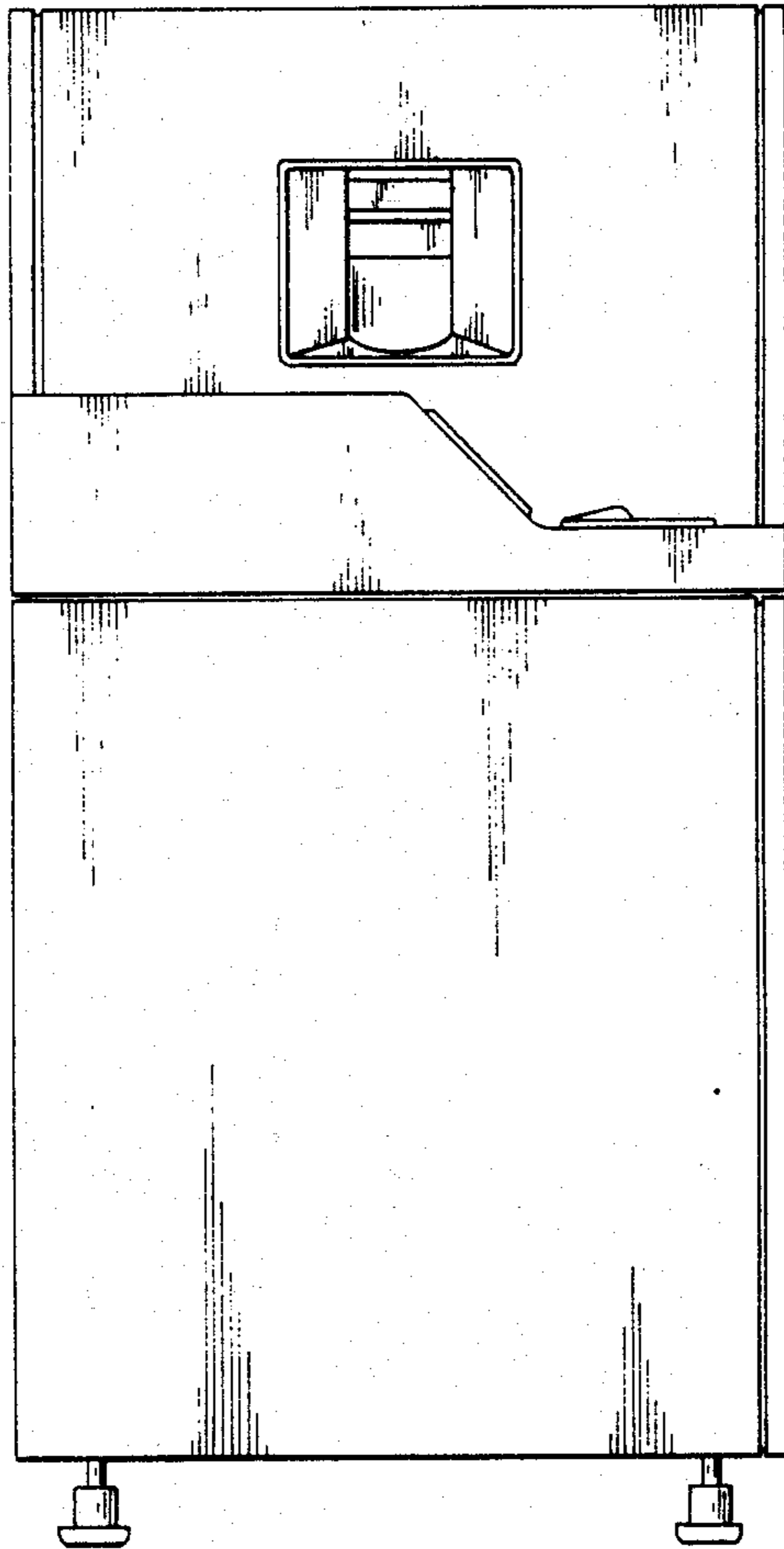


FIG. 5

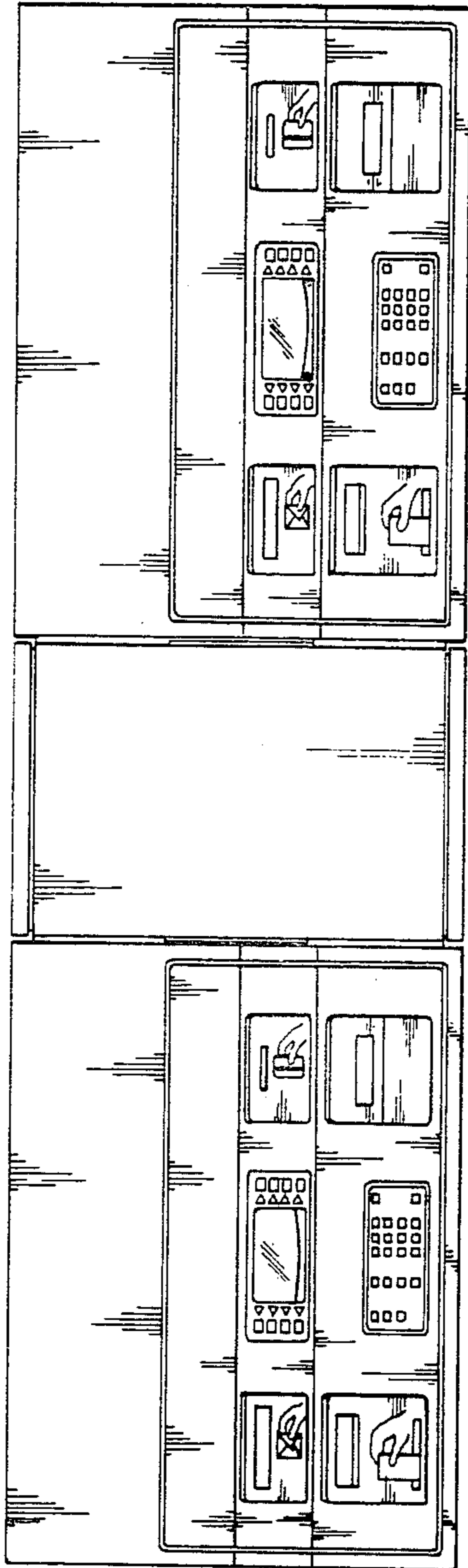


FIG. 6

