

[54] **HYDRAULIC CYLINDER BOOM**

[76] **Inventor: William E. Bickley, P.O. Box 120841, Nashville, Tenn. 37212**

[**] **Term: 14 Years**

[21] **Appl. No.: 490,245**

[22] **Filed: Apr. 29, 1983**

[52] **U.S. Cl. D34/36**

[58] **Field of Search D34/36; 239/165; 212/268, 267; 92/51-53; 52/115, 118**

[56] **References Cited**

U.S. PATENT DOCUMENTS

3,250,182 5/1966 Nansel 212/268
4,057,942 11/1977 Kranefeld et al. 212/268

FOREIGN PATENT DOCUMENTS

2015853 9/1979 United Kingdom 239/165

Primary Examiner—James M. Gandy
Attorney, Agent, or Firm—Mason, Fenwick & Lawrence

[57] **CLAIM**

The ornamental design for a hydraulic cylinder boom, as shown.

DESCRIPTION

FIG. 1 is a top perspective view from the right end of a hydraulic cylinder boom embodying my new and ornamental design;

FIG. 2 is a bottom perspective view from the left end thereof;

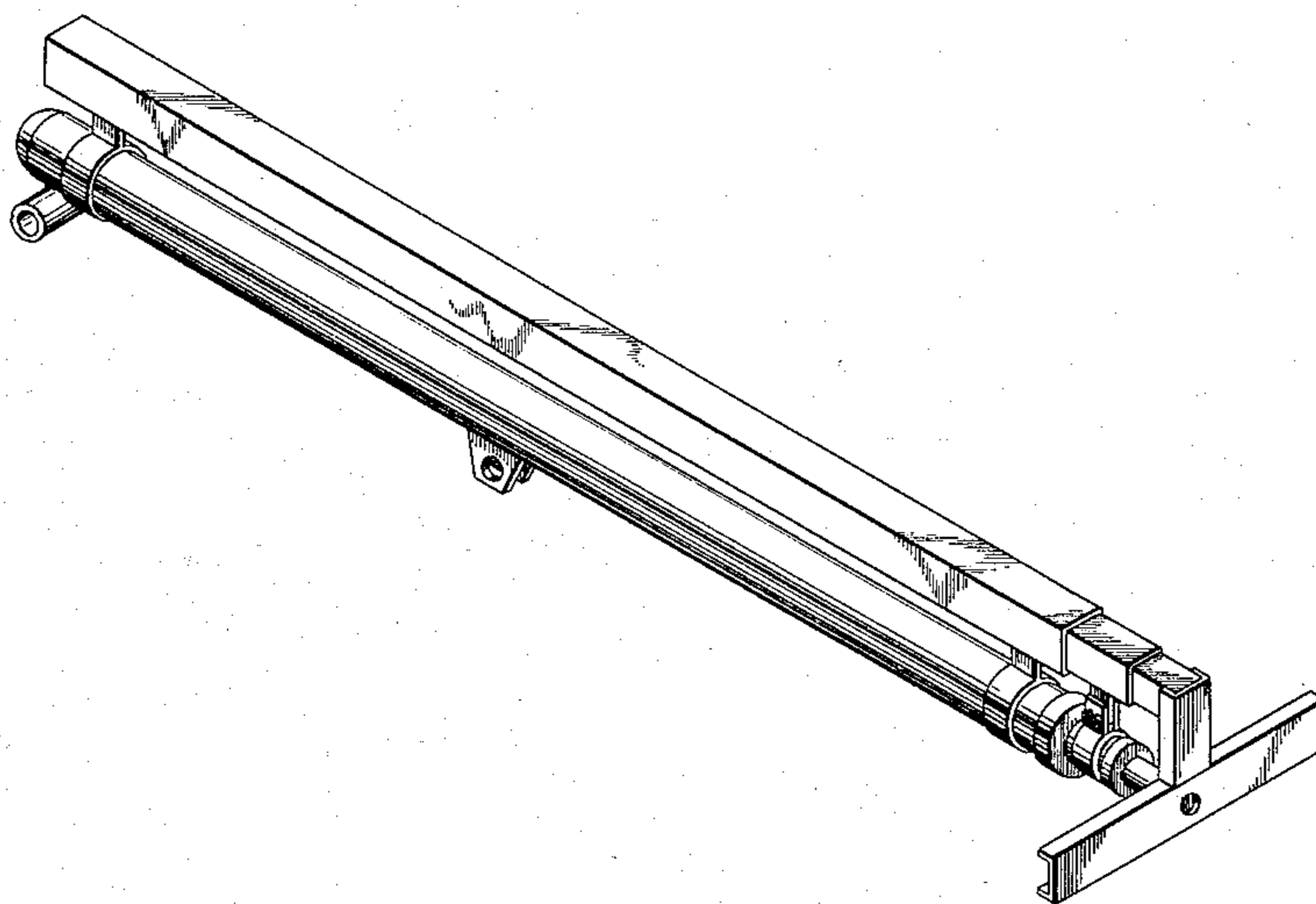
FIG. 3 is a right end elevation view thereof;

FIG. 4 is a left end elevation view thereof;

FIG. 5 is a top plan view thereof;

FIG. 6 is a front elevational view thereof; and

FIG. 7 is a bottom plan view thereof.



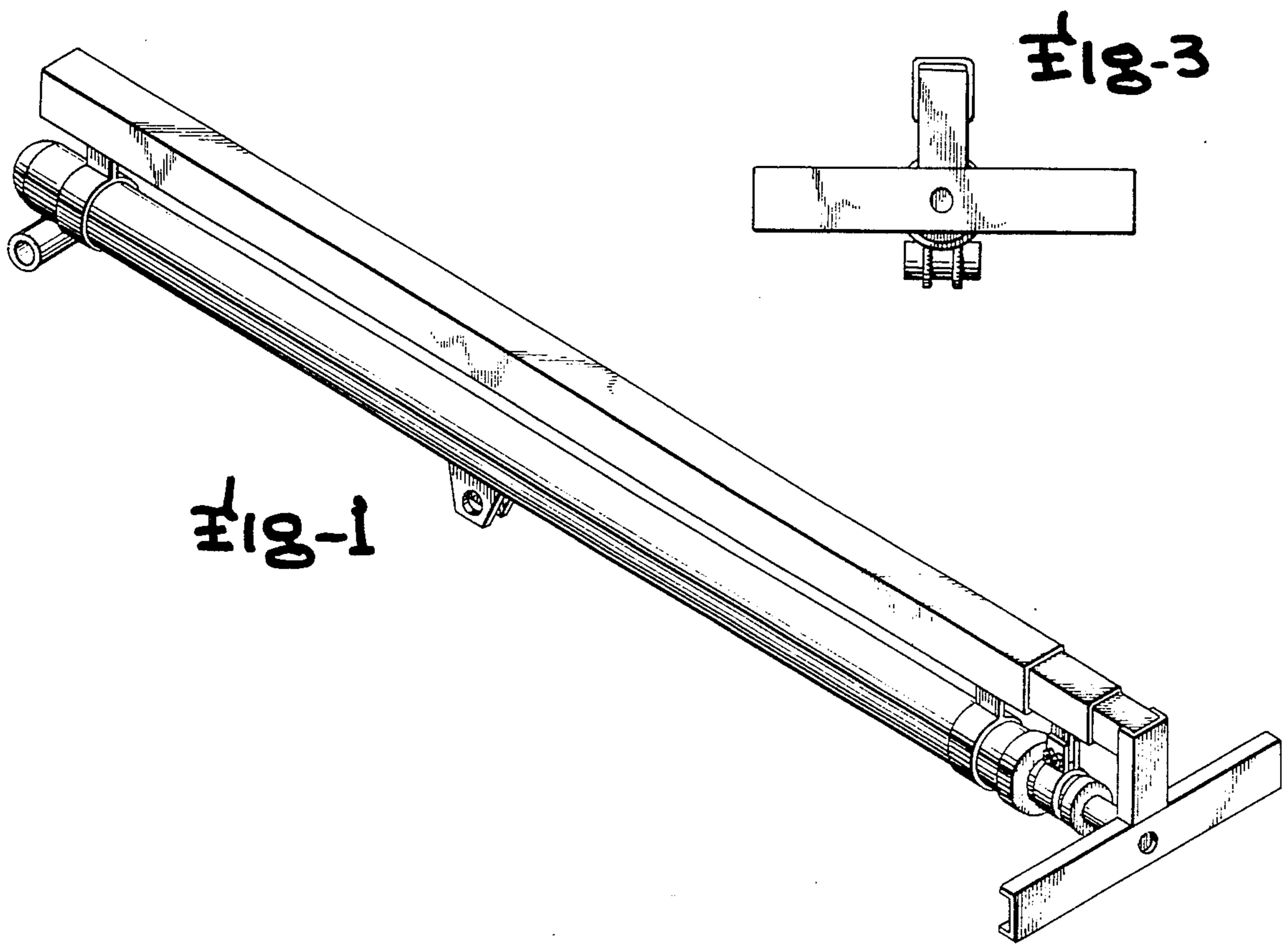


Fig-1

Fig-3

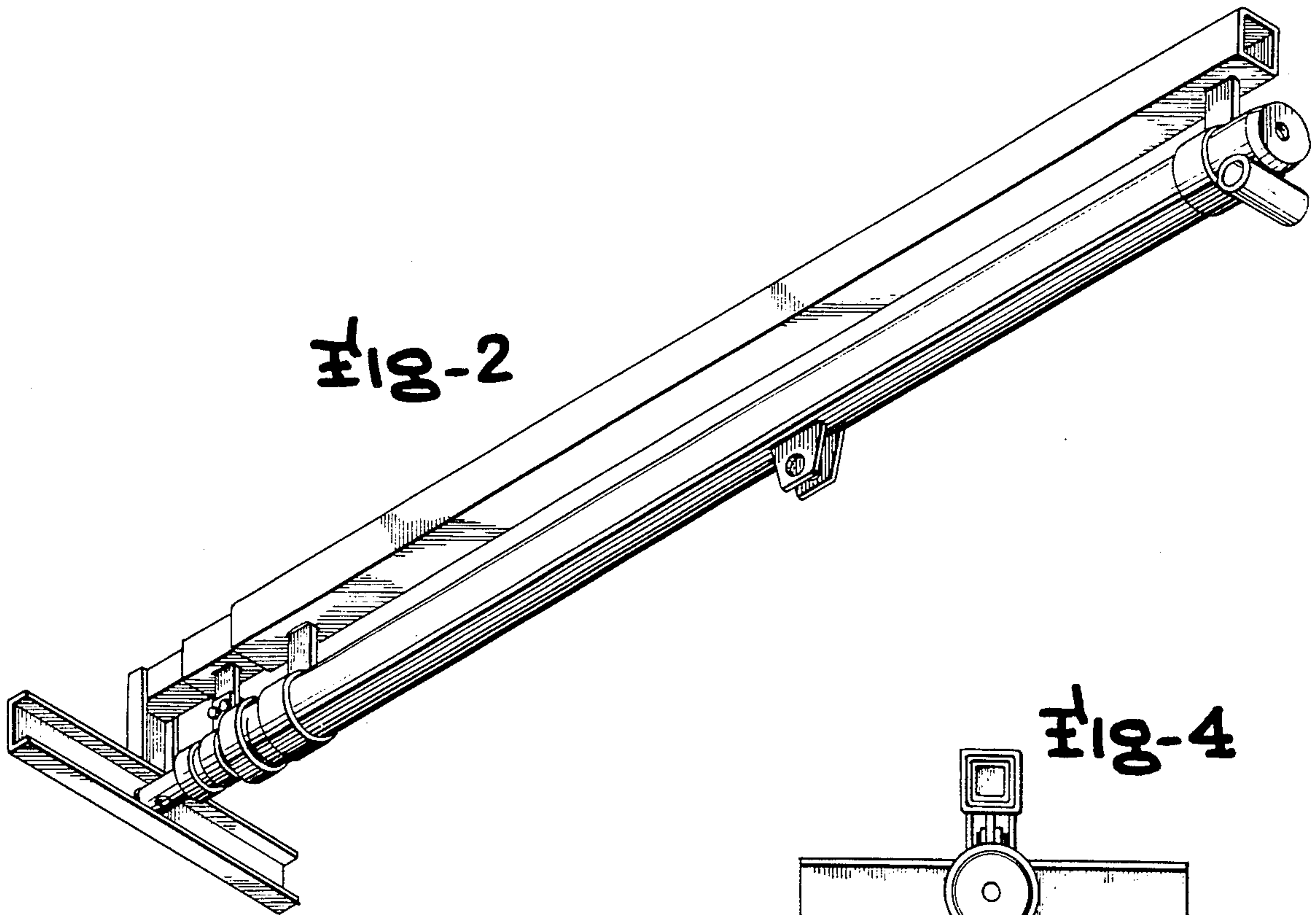


Fig-2

Fig-4

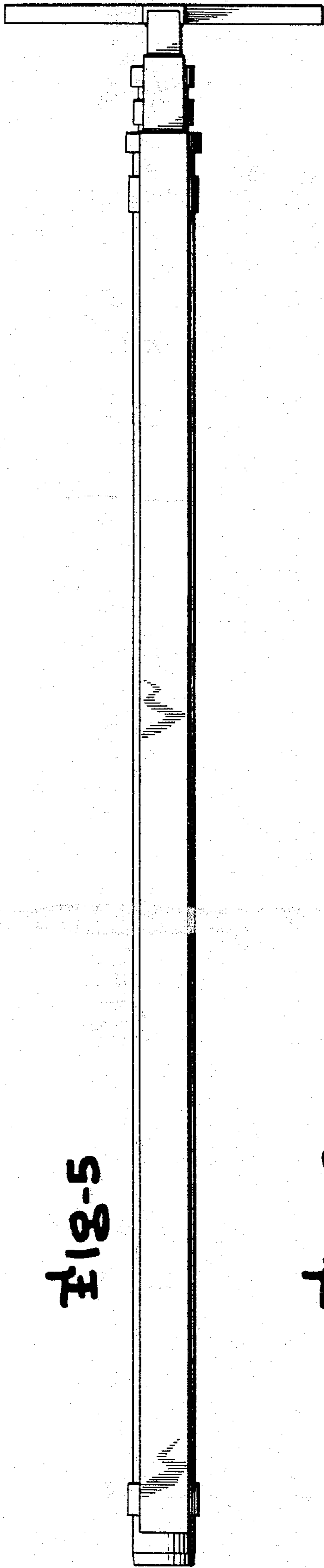


Fig-5

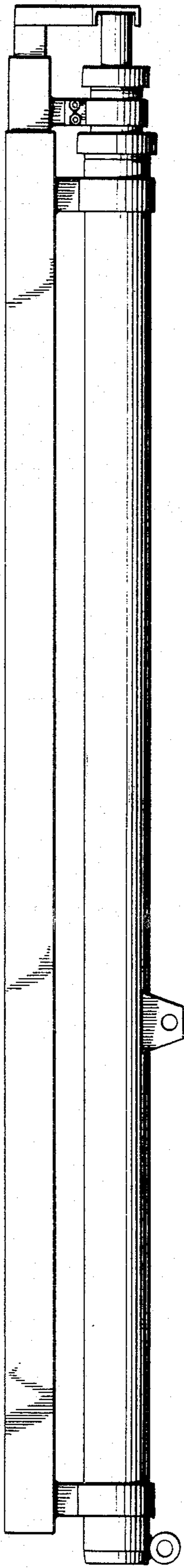


Fig-6

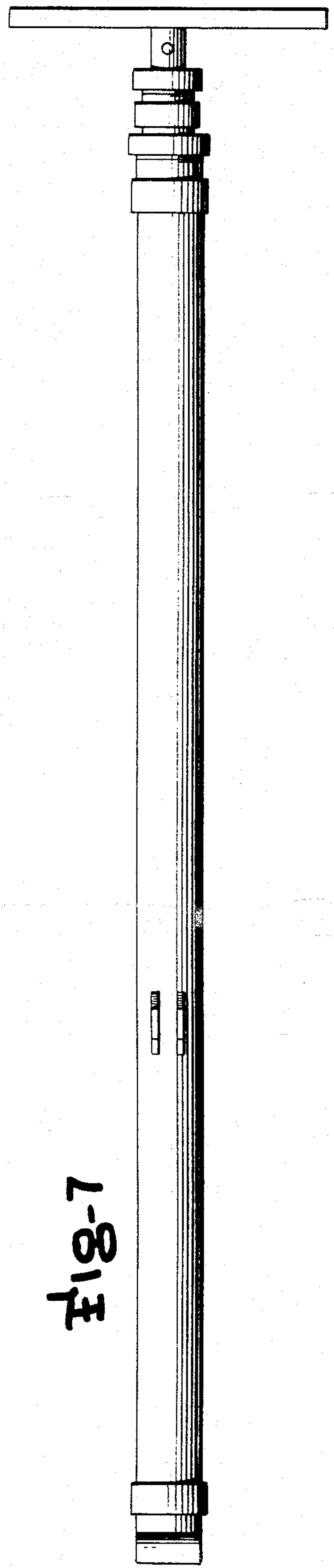


Fig-7