

[54] **HAIR LIFT**

[76] **Inventor: Franklin D. Harvey, 22 E. Broad St., Richmond, Va. 23219**

[**] **Term: 14 Years**

[21] **Appl. No.: 629,402**

[22] **Filed: Jul. 10, 1984**

[52] **U.S. Cl. D28/31**

[58] **Field of Search D28/10, 21-34; D30/40; 132/11 R, 112-116, 122, 124, 148-152, 159-163, DIG. 1**

[56] **References Cited**

U.S. PATENT DOCUMENTS

D. 51,625	12/1917	Alexis	D28/31
3,892,246	7/1975	Woodard	D28/31 X
3,994,040	11/1976	DiStefano	D28/31 X

Primary Examiner—Louis S. Zarfaz
Attorney, Agent, or Firm—Dennison, Messerole, Pollack & Scheiner

[57] **CLAIM**

The ornamental design for a hair lift, as shown and described.

DESCRIPTION

FIG. 1 is a front perspective view of a hair lift showing my new design;
FIG. 2 is a top plan view, the opposite side being a mirror image of this figure;
FIG. 3 is a side view taken from the bottom of FIG. 2;
FIG. 4 is an end elevational view looking from the left in FIG. 2; and
FIG. 5 is an end elevational view looking from the right in FIG. 2.

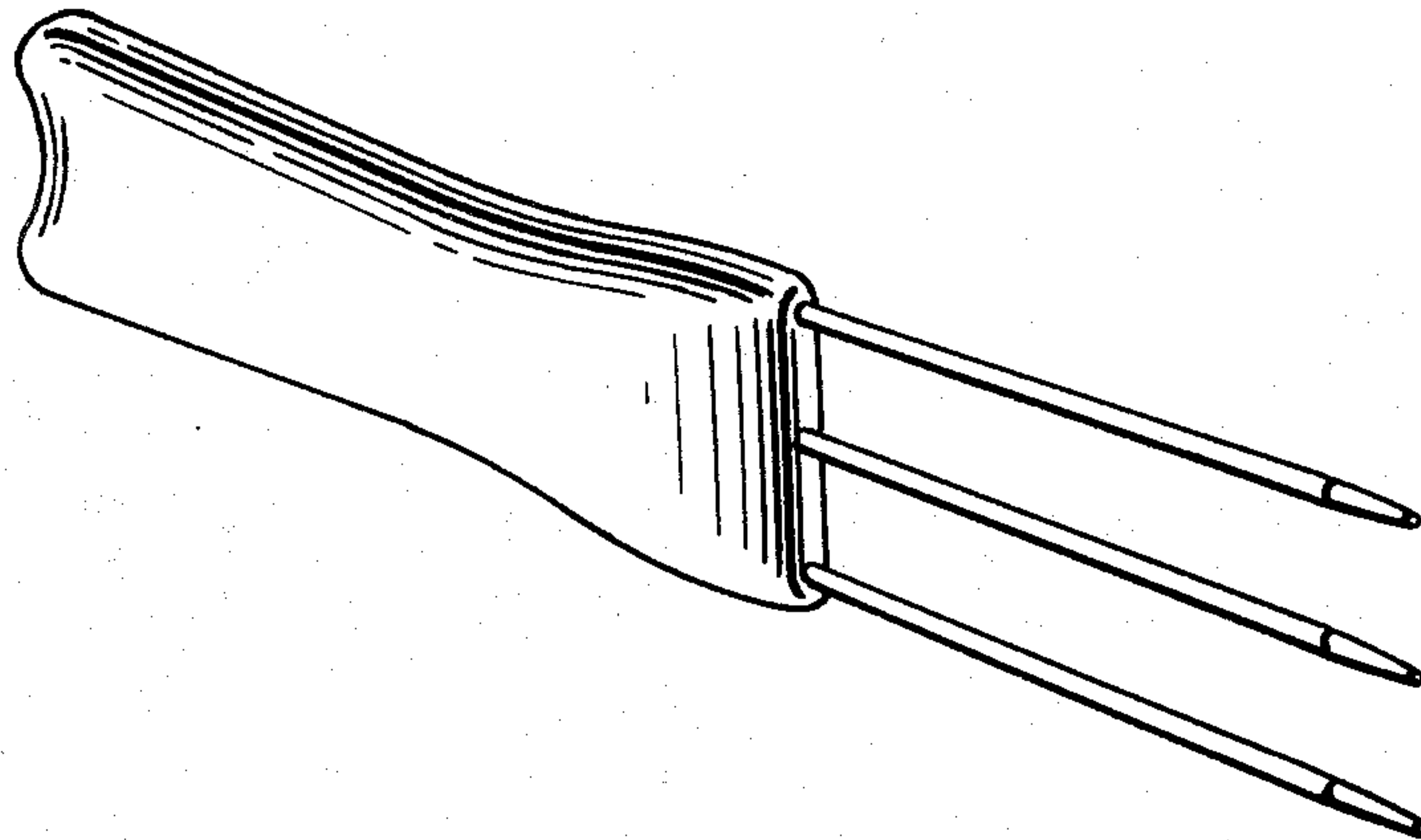


FIG. 1

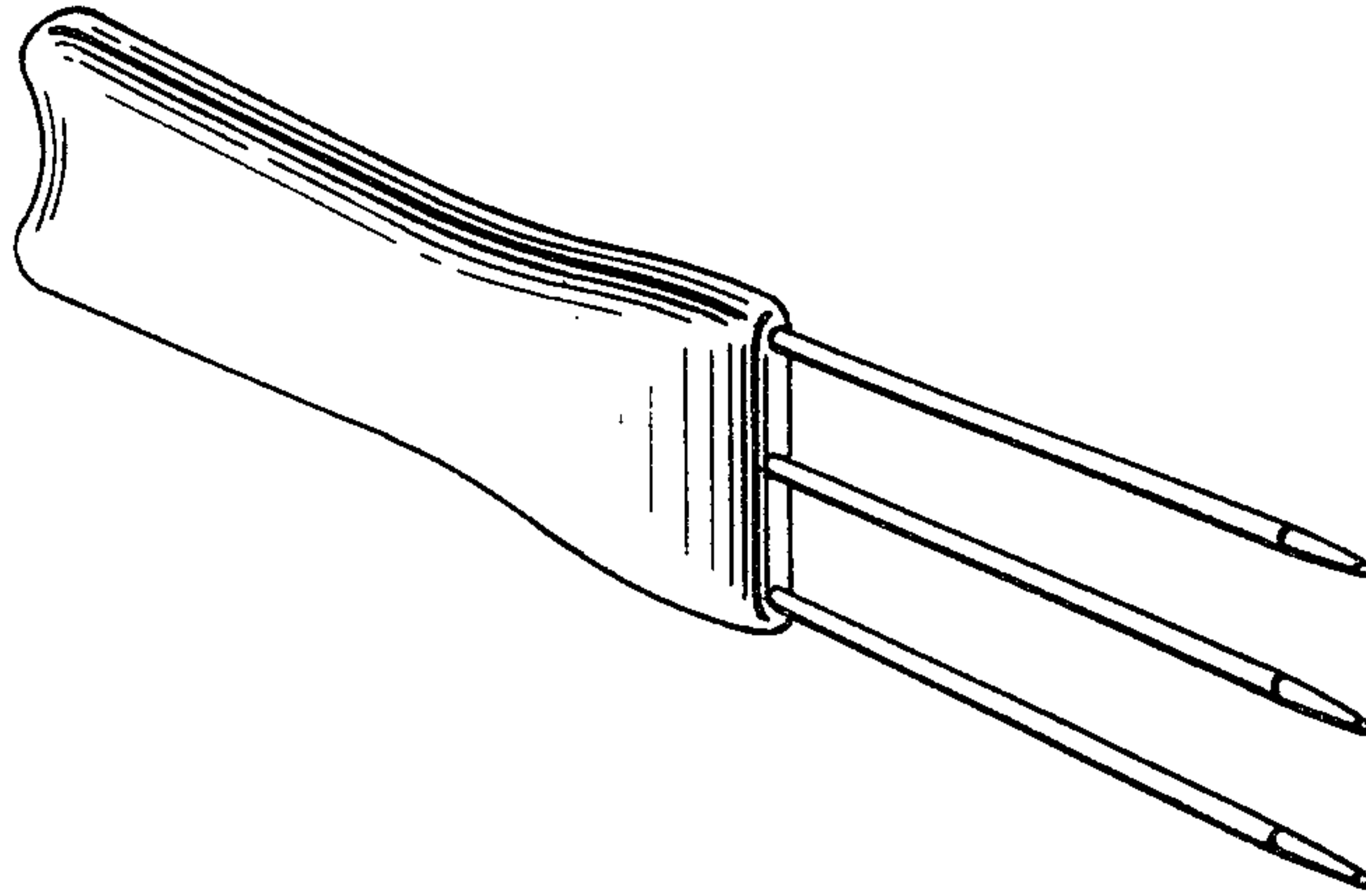


FIG. 2

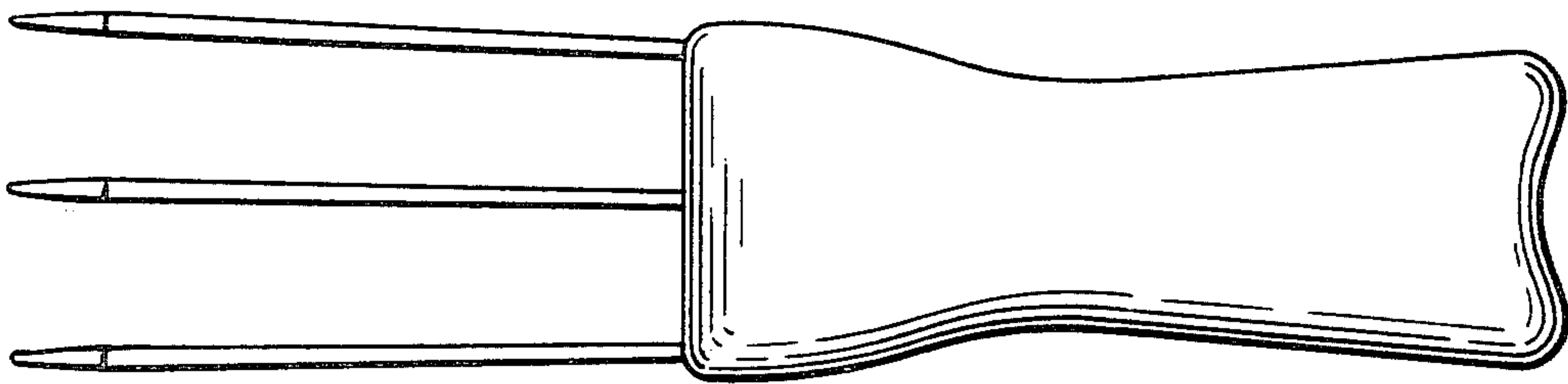


FIG. 3

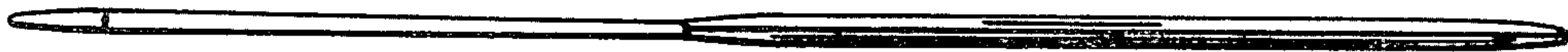


FIG. 4



FIG. 5

