

[54] **ROOF TILE**

[76] **Inventor: Leon H. Bates, 2807 Vista Palomar, Fairfield, Calif. 94533**

[**] **Term: 14 Years**

[21] **Appl. No.: 467,363**

[22] **Filed: Feb. 17, 1983**

[52] **U.S. Cl. D25/80**

[58] **Field of Search D25/80-96; 52/518, 533, 534, 536, 539, 542, 553, 560**

[56] **References Cited**

U.S. PATENT DOCUMENTS

147,061 2/1874 Manvel 52/518
4,432,183 2/1984 Pike et al. 52/533

FOREIGN PATENT DOCUMENTS

34921 5/1908 Austria 52/518
2315591 10/1974 Fed. Rep. of Germany 52/518
1009498 3/1952 France 52/518
255286 7/1926 United Kingdom 52/518

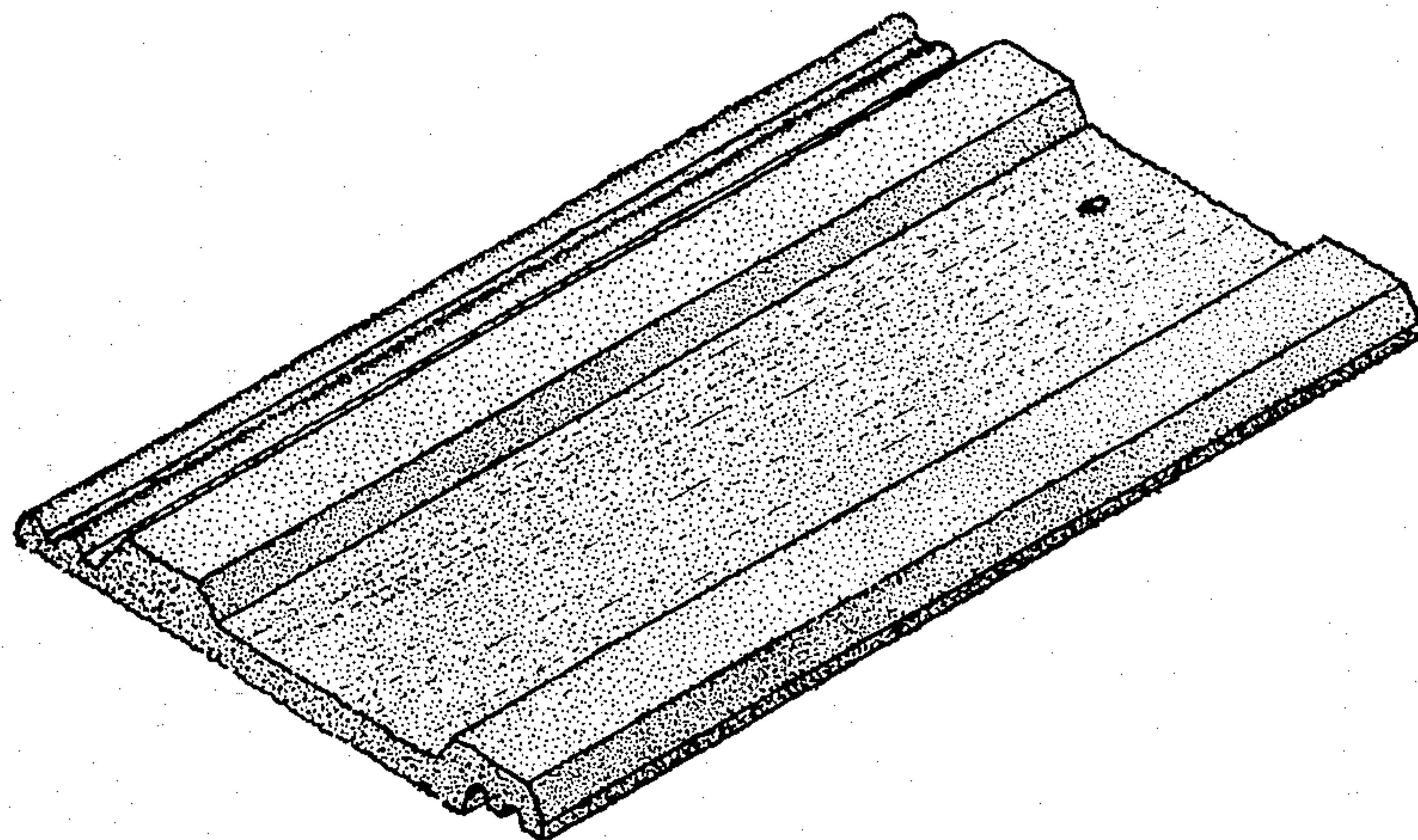
Primary Examiner—A. Hugo Word
Attorney, Agent, or Firm—Lothrop & West

[57] **CLAIM**

The ornamental design for a roof tile, as shown.

DESCRIPTION

FIG. 1 is an isometric view of the roof tile of the invention;
FIG. 2 is a top plan view thereof;
FIG. 3 is an elevation of one end thereof;
FIG. 4 is an elevation of the other end thereof;
FIG. 5 is an elevation of one side thereof;
FIG. 6 is a bottom plan view thereof; and
FIG. 7 is an elevation of the other side thereof.



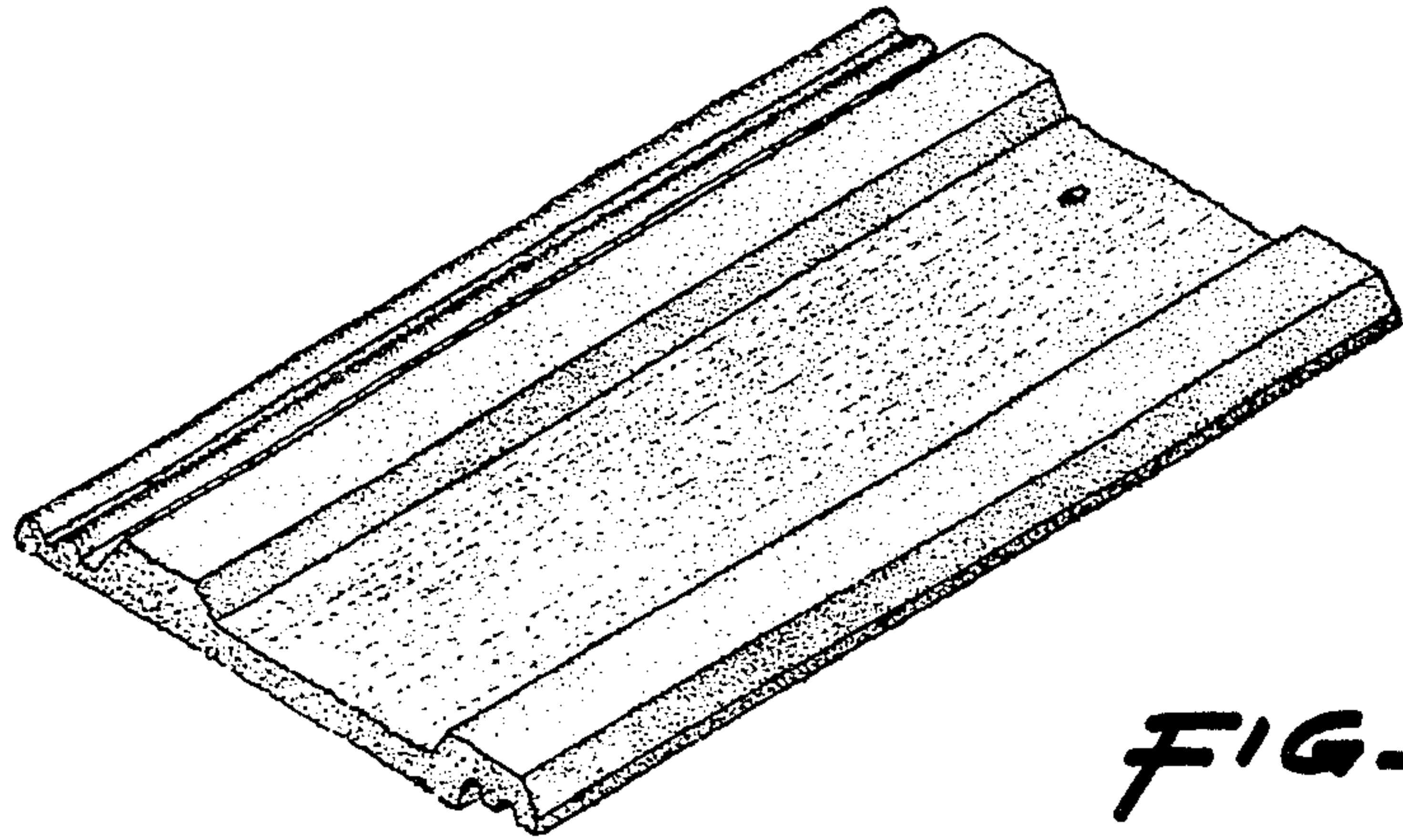


FIG-1

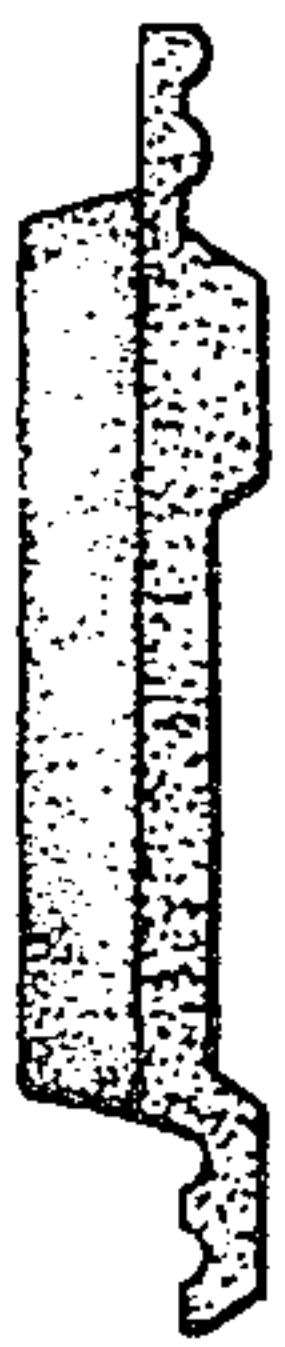


FIG-3

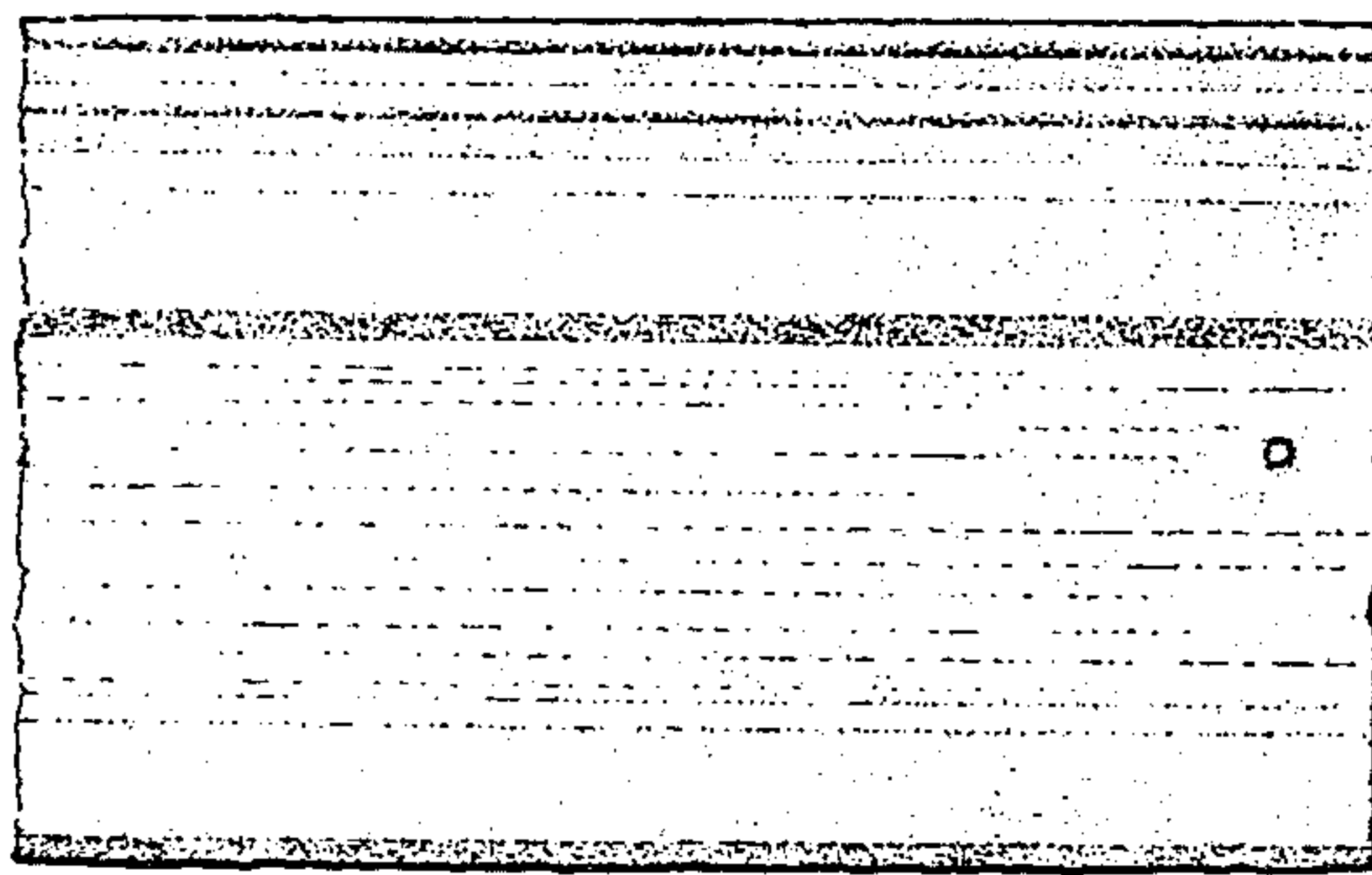


FIG-2



FIG-4

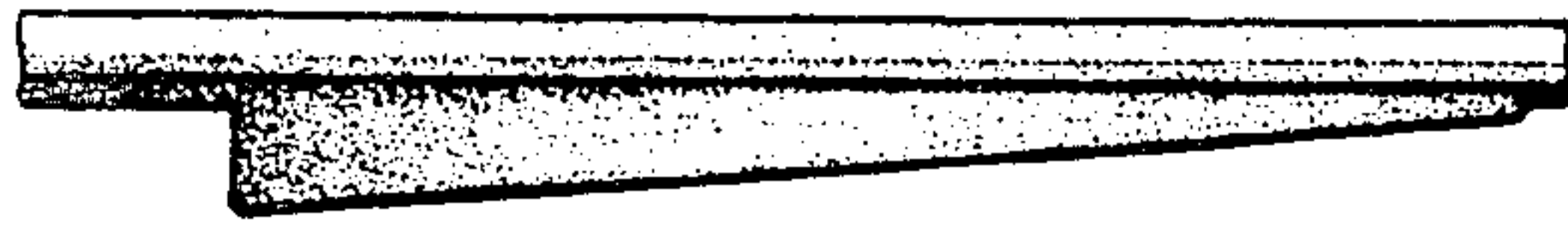


FIG-5

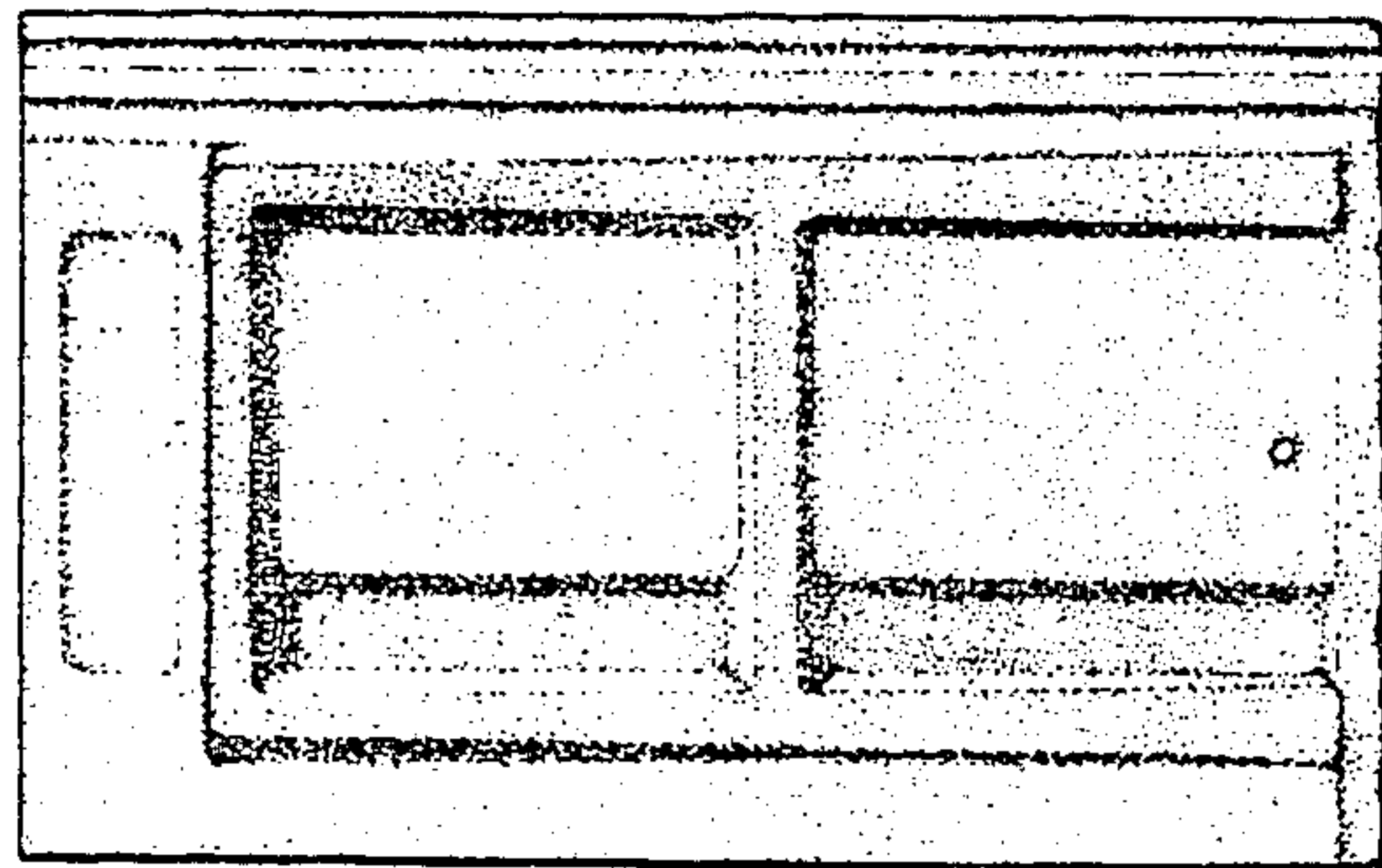


FIG-6

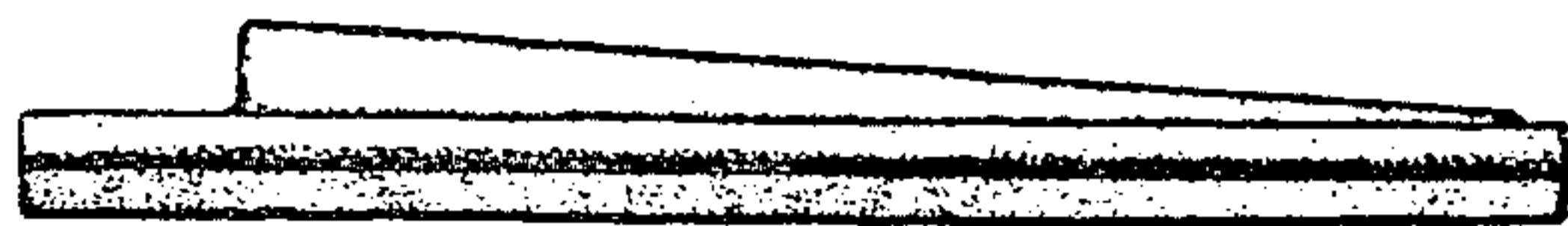


FIG-7