

[54] MEDICAL WASTE STATION WITH HYPODERMIC NEEDLE CUTTER

4,485,918 12/1984 Mayer 206/366
4,488,643 12/1984 Pepper 206/366

[75] Inventor: Richard F. Gianni, Danville, Calif.

FOREIGN PATENT DOCUMENTS

[73] Assignee: Biosafety Systems, Inc., San Diego, Calif.

2740335 3/1979 Fed. Rep. of Germany 206/366

[**] Term: 14 Years

Primary Examiner—Catherine E. Kemper
Attorney, Agent, or Firm—Fulwider, Patton, Rieber, Lee & Utecht

[21] Appl. No.: 490,872

[57] CLAIM

[22] Filed: May 2, 1983

The ornamental design for a medical waste station with hypodermic needle cutter, substantially as shown and described.

[52] U.S. Cl. D24/99; D24/29

[58] Field of Search D24/8, 29, 99; D34/1, D34/7; 206/365, 366, 367, 370, 371, 63.5

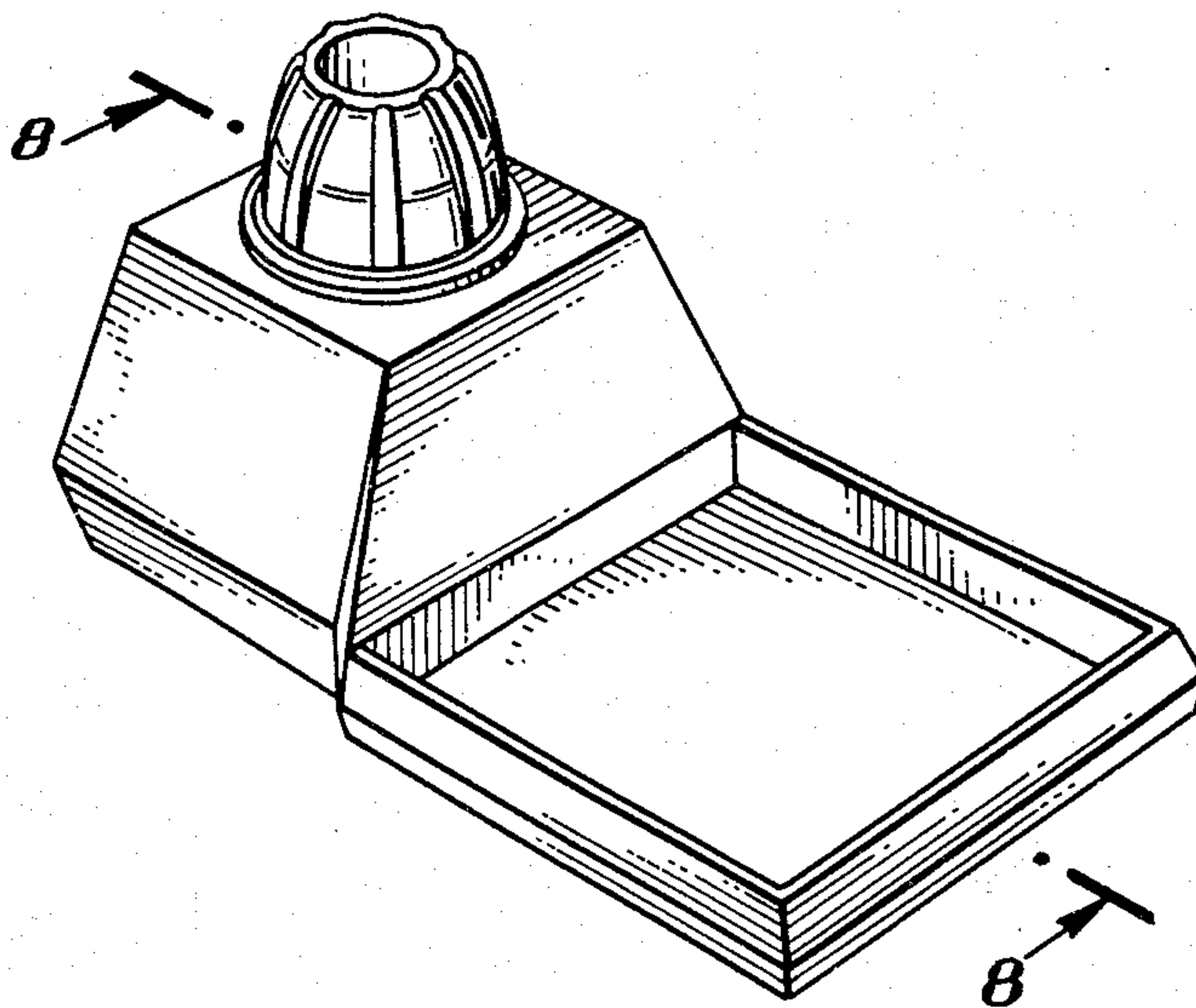
DESCRIPTION

[56] References Cited

U.S. PATENT DOCUMENTS

D. 265,125	6/1982	Jordan	D24/29
D. 265,684	8/1982	Christoffel et al.	D24/99
D. 273,327	4/1984	Simicich	D24/29
D. 274,159	6/1984	Simicich	D24/99
4,315,592	2/1982	Smith	206/370 X
4,351,434	9/1982	Elisha	206/366
4,375,849	3/1983	Hanifl	206/63.5 X
4,380,292	4/1983	Cranier	206/366

FIG. 1 is a front perspective view of a medical waste station with hypodermic needle cutter embodying my design;
FIG. 2 is a left side view thereof;
FIG. 3 is a front view thereof;
FIG. 4 is a rear view thereof;
FIG. 5 is a right side view thereof;
FIG. 6 is a top plan view thereof;
FIG. 7 is a bottom plan view thereof;
FIG. 8 is a sectional view taken on line 8—8 of FIG. 1.



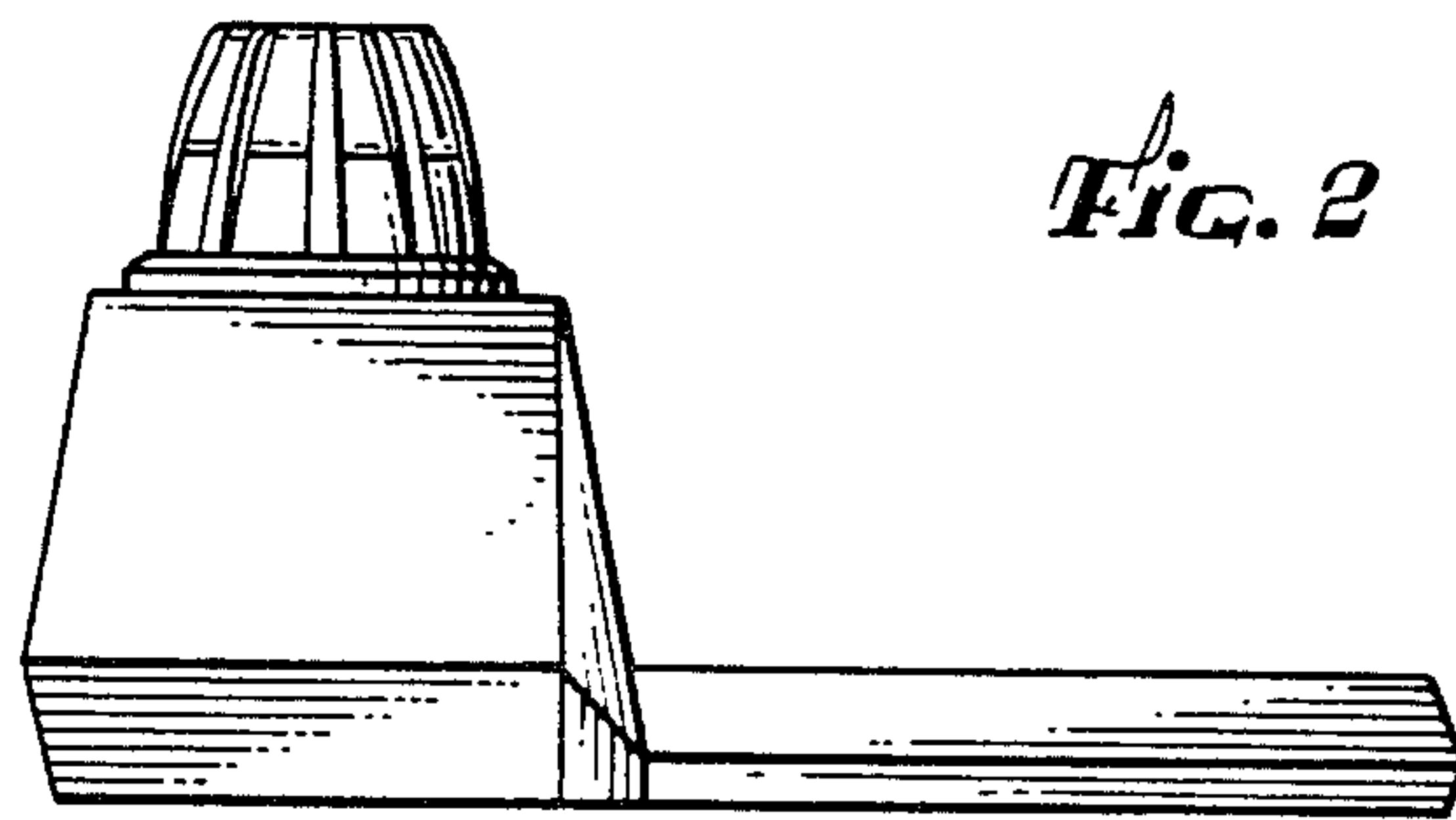
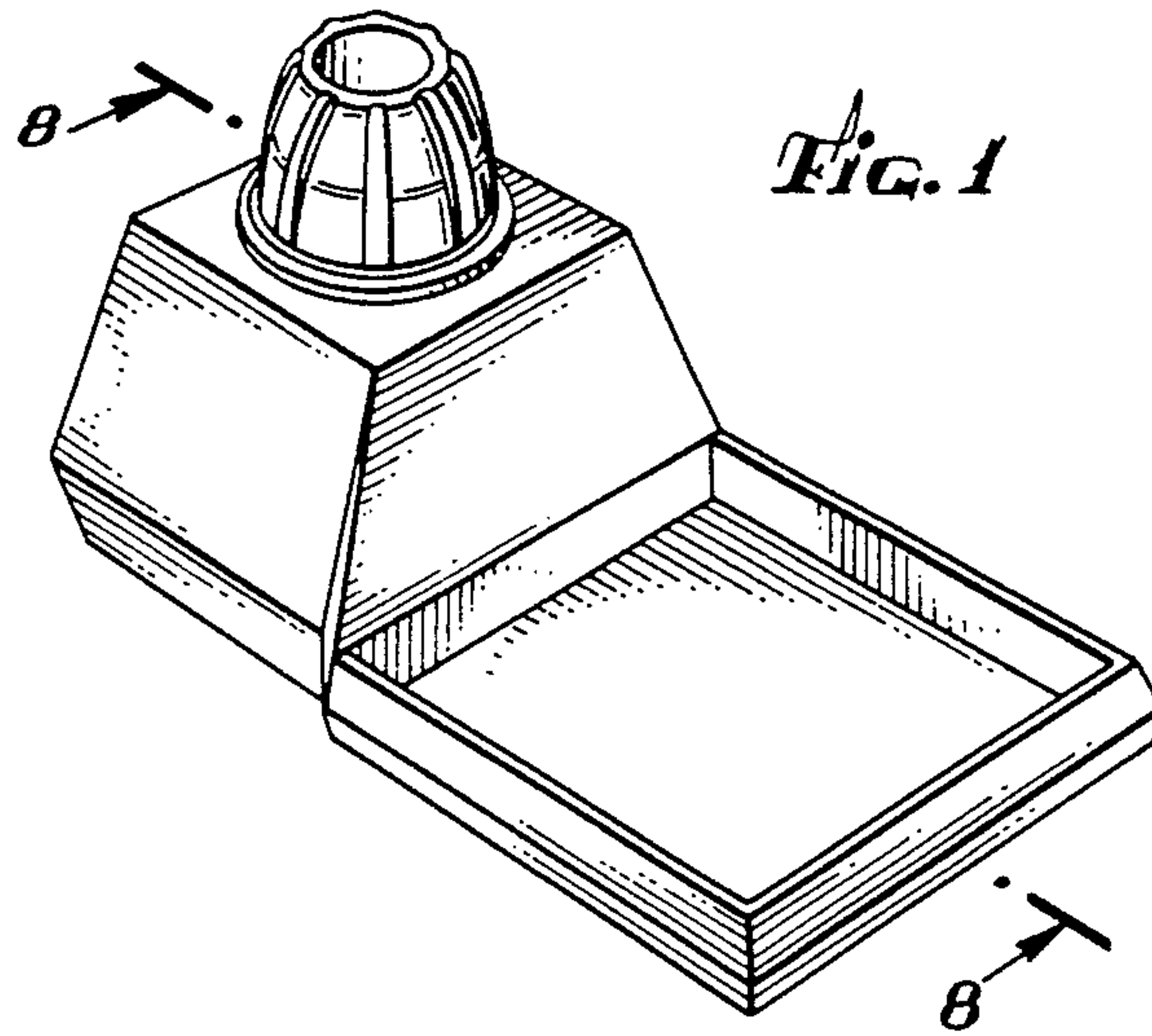


Fig. 3

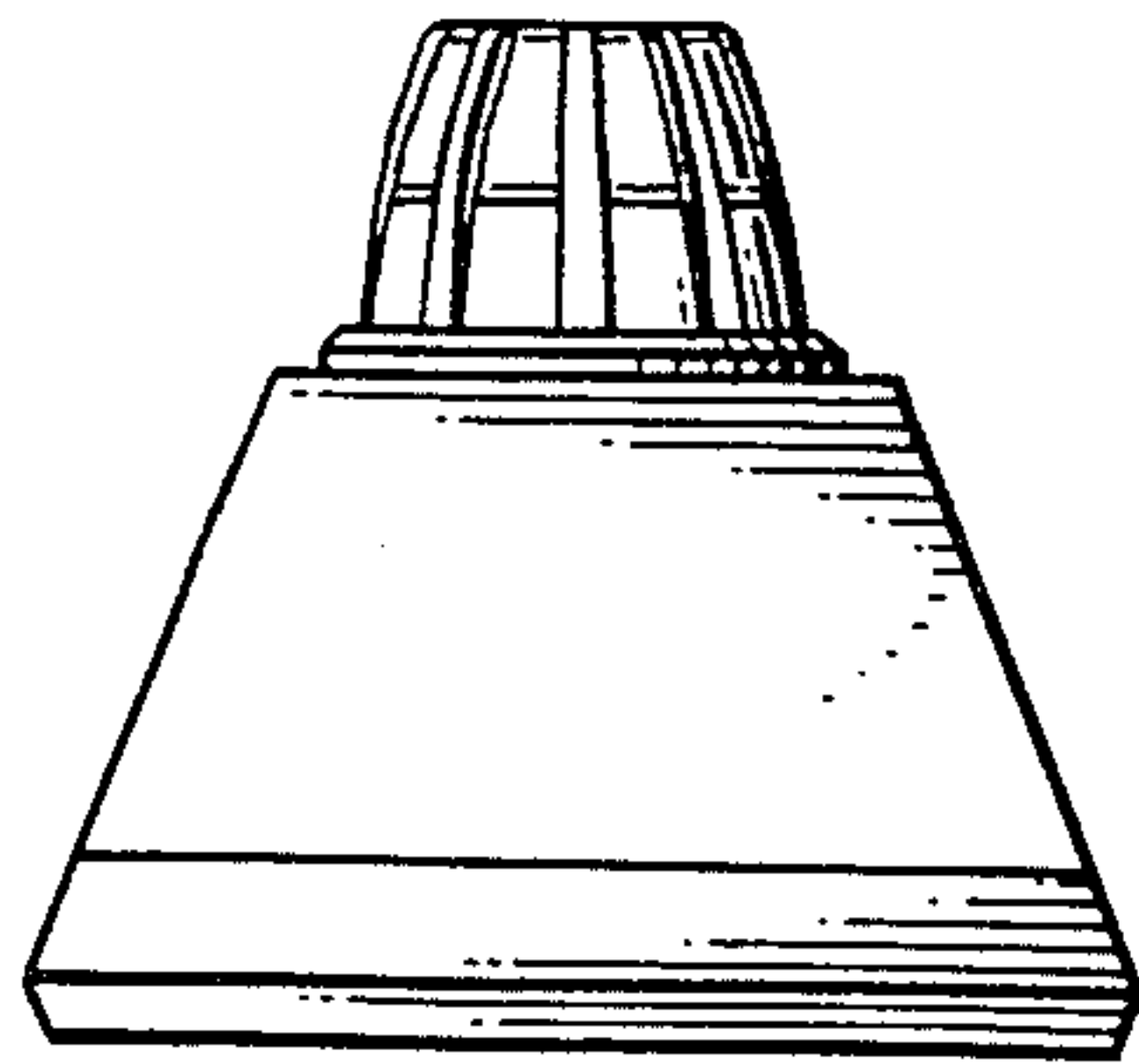


Fig. 4

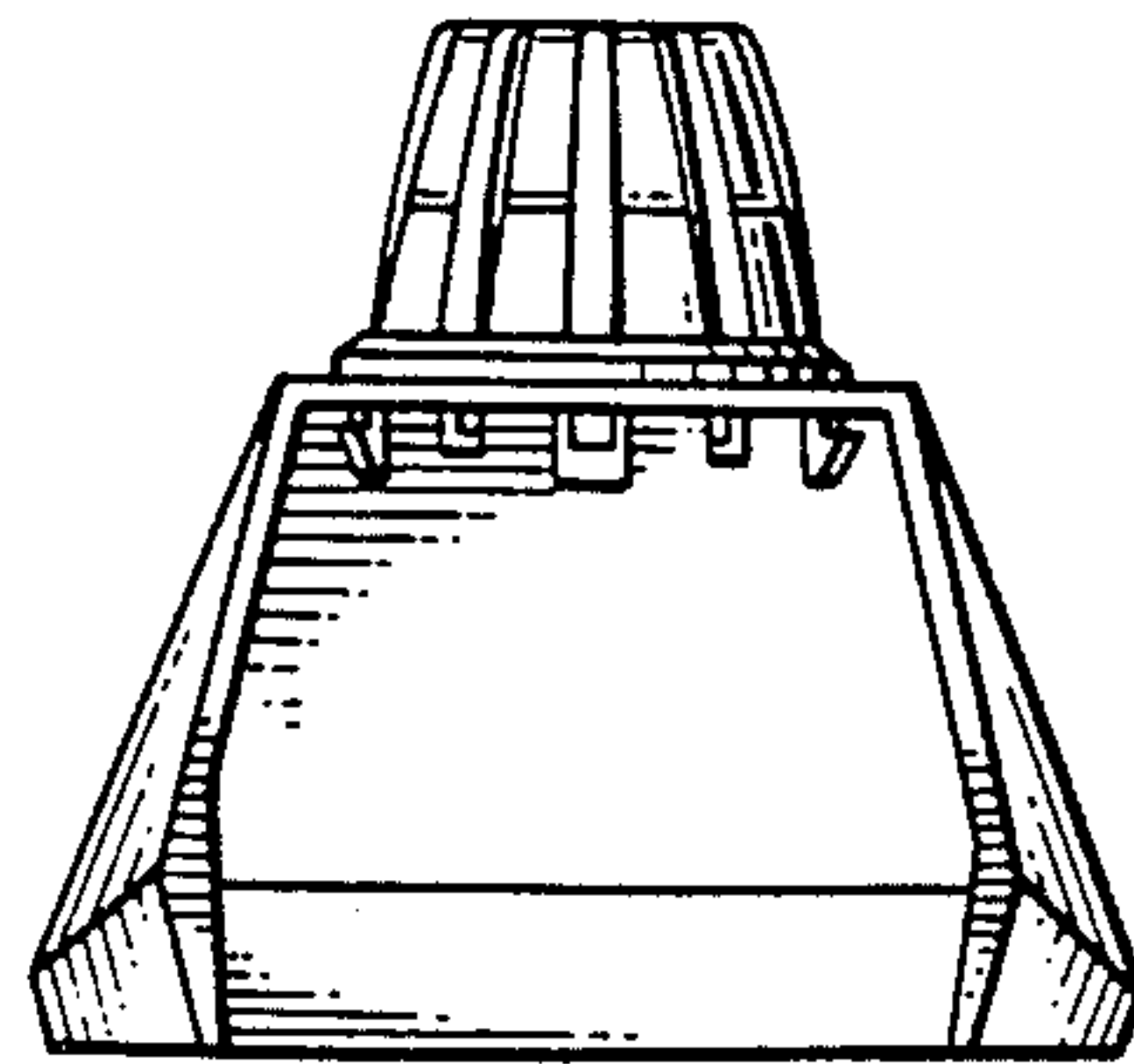


Fig. 5

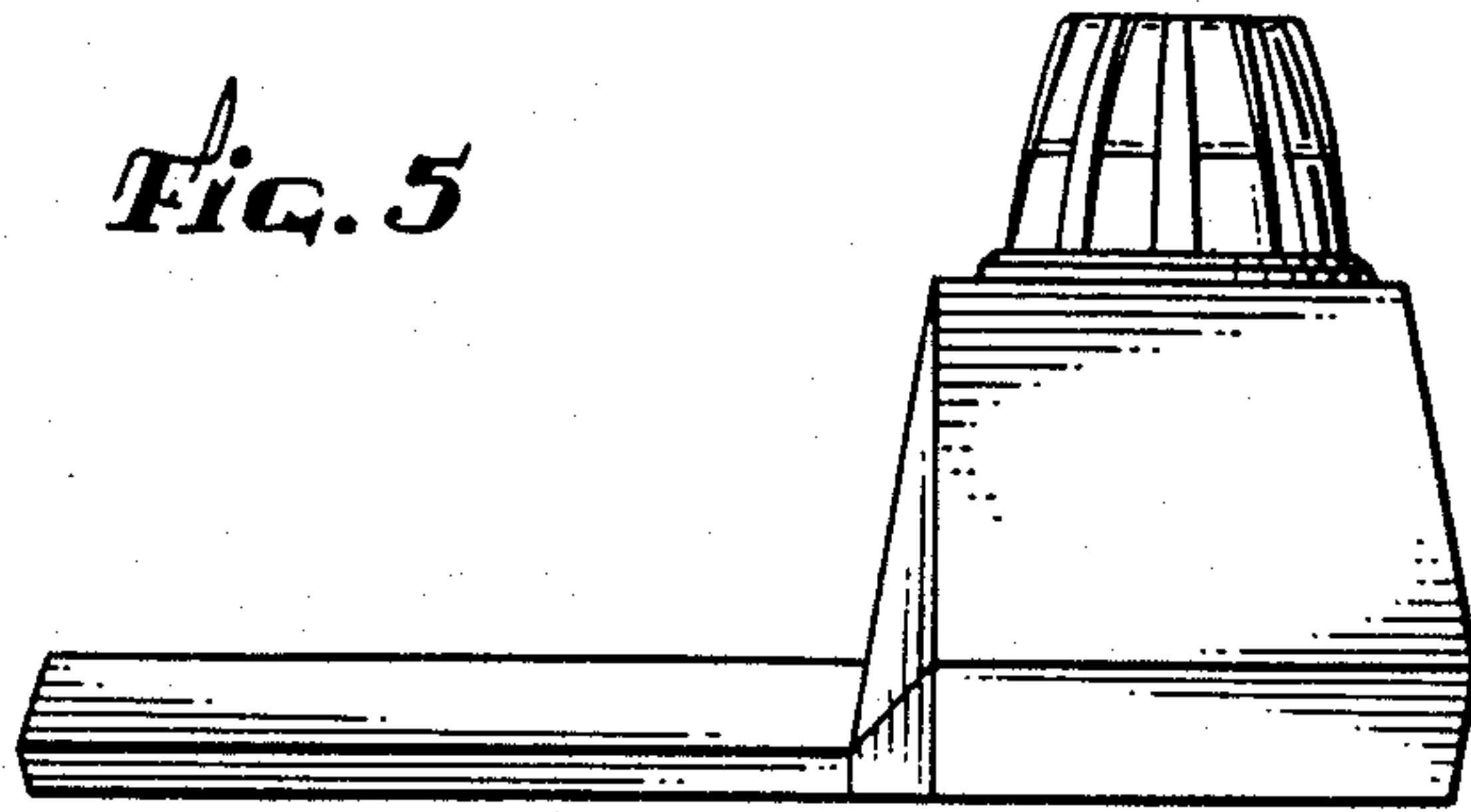


Fig. 6

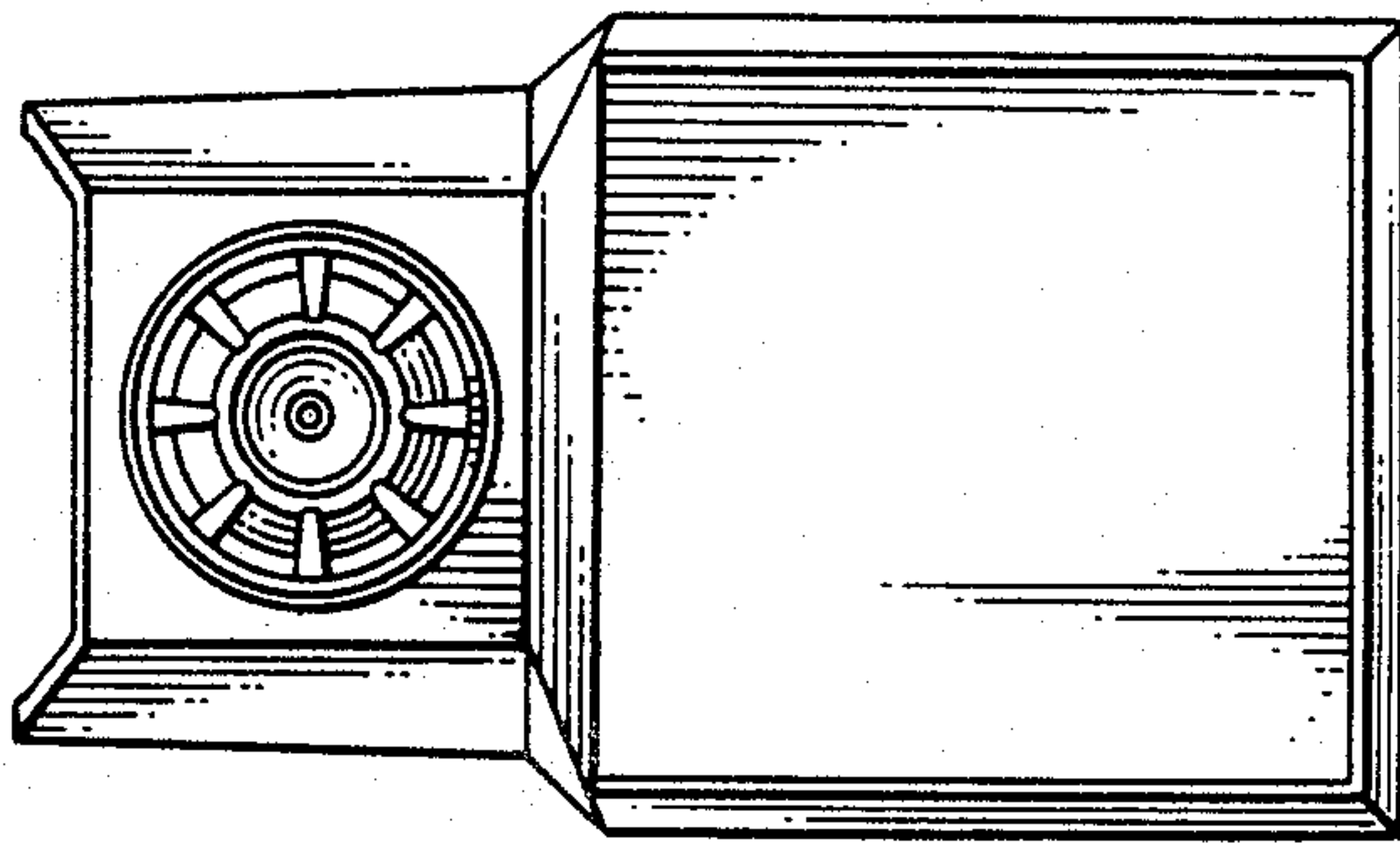


Fig. 7

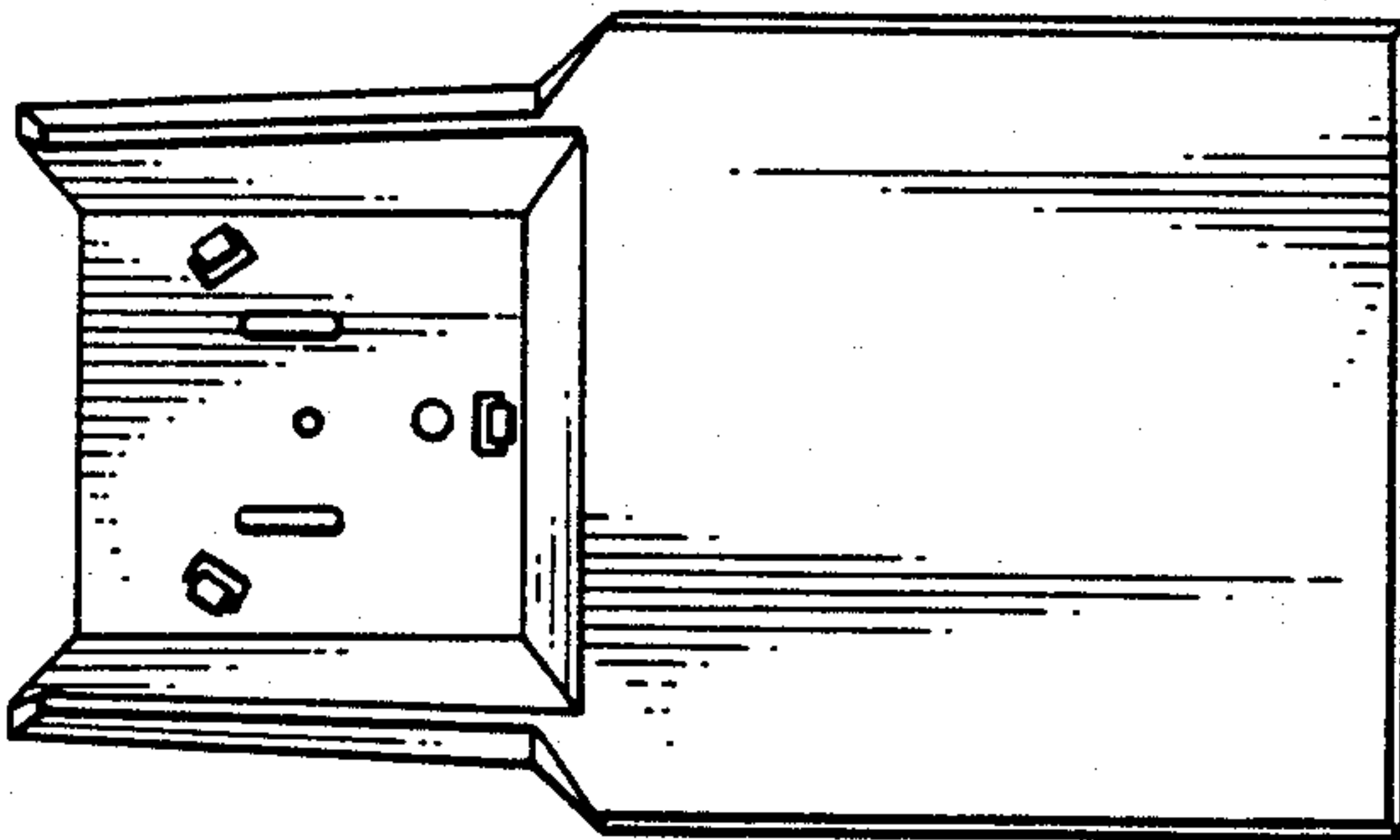


Fig. 8

