

[54] TRANSDUCER HOUSING ASSEMBLY FOR MONITORING BLOOD PRESSURE AND THE LIKE

[75] Inventors: Kenneth R. McCord, Menlo Park; James K. Bullock, Burbank; Henrick K. Gille, West Los Angeles, all of Calif.

[73] Assignee: American Hospital Supply Corporation, Evanston, Ill.

[**] Term: 14 Years

[21] Appl. No.: 489,927

[22] Filed: Apr. 29, 1983

[52] U.S. Cl. D24/53

[58] Field of Search D24/17, 21, 51, 52, D24/53; 128/673, 675

[56] References Cited

U.S. PATENT DOCUMENTS

4,063,553 12/1977 Karsh 128/675
4,499,903 2/1985 Furst et al. 128/675

Primary Examiner—Wallace R. Burke
Assistant Examiner—Lynn Wilder
Attorney, Agent, or Firm—Roger A. Williams

[57] CLAIM

The ornamental design for a transducer housing assembly for monitoring blood pressure and the like, as shown.

DESCRIPTION

FIG. 1 is a top plan view of a transducer housing assembly for monitoring blood pressure and the like showing our new design;

FIG. 2 is an elevational view of one end thereof;

FIG. 3 is an elevational view of the opposite end thereof;

FIG. 4 is a bottom plan view thereof;

FIG. 5 is an elevational view of one side thereof; and

FIG. 6 is an elevational view of the opposite side thereof.

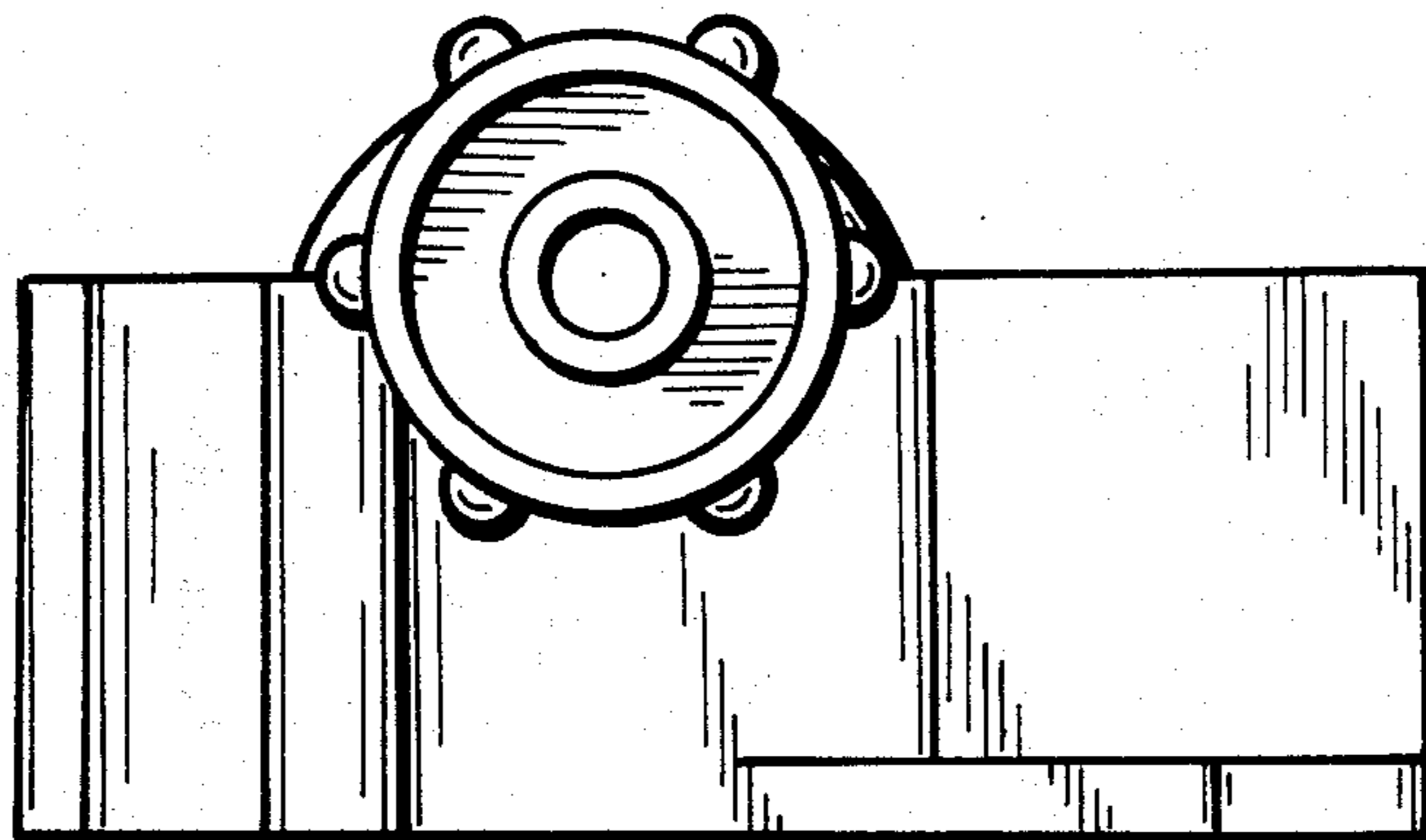
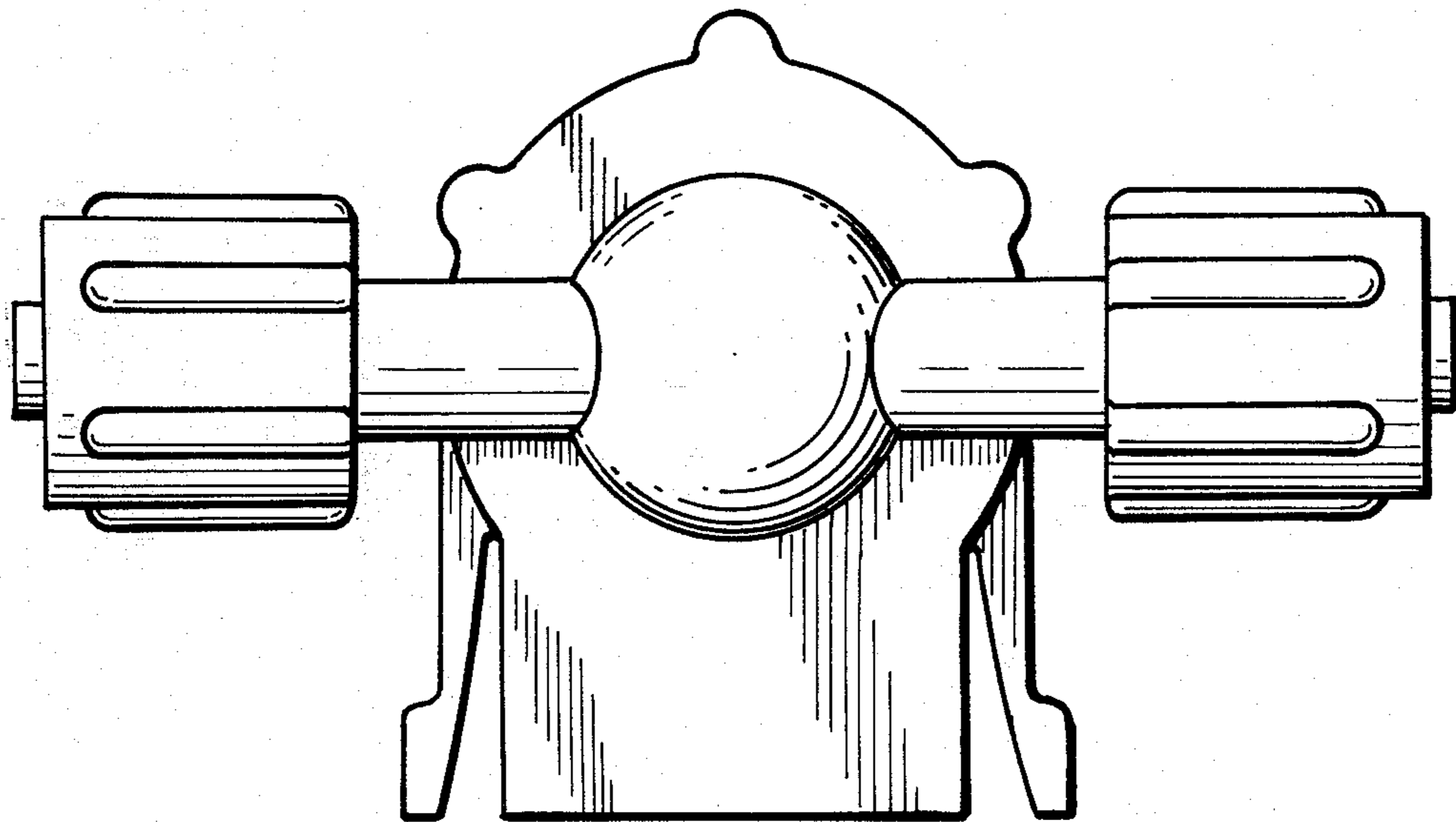


FIG. 1

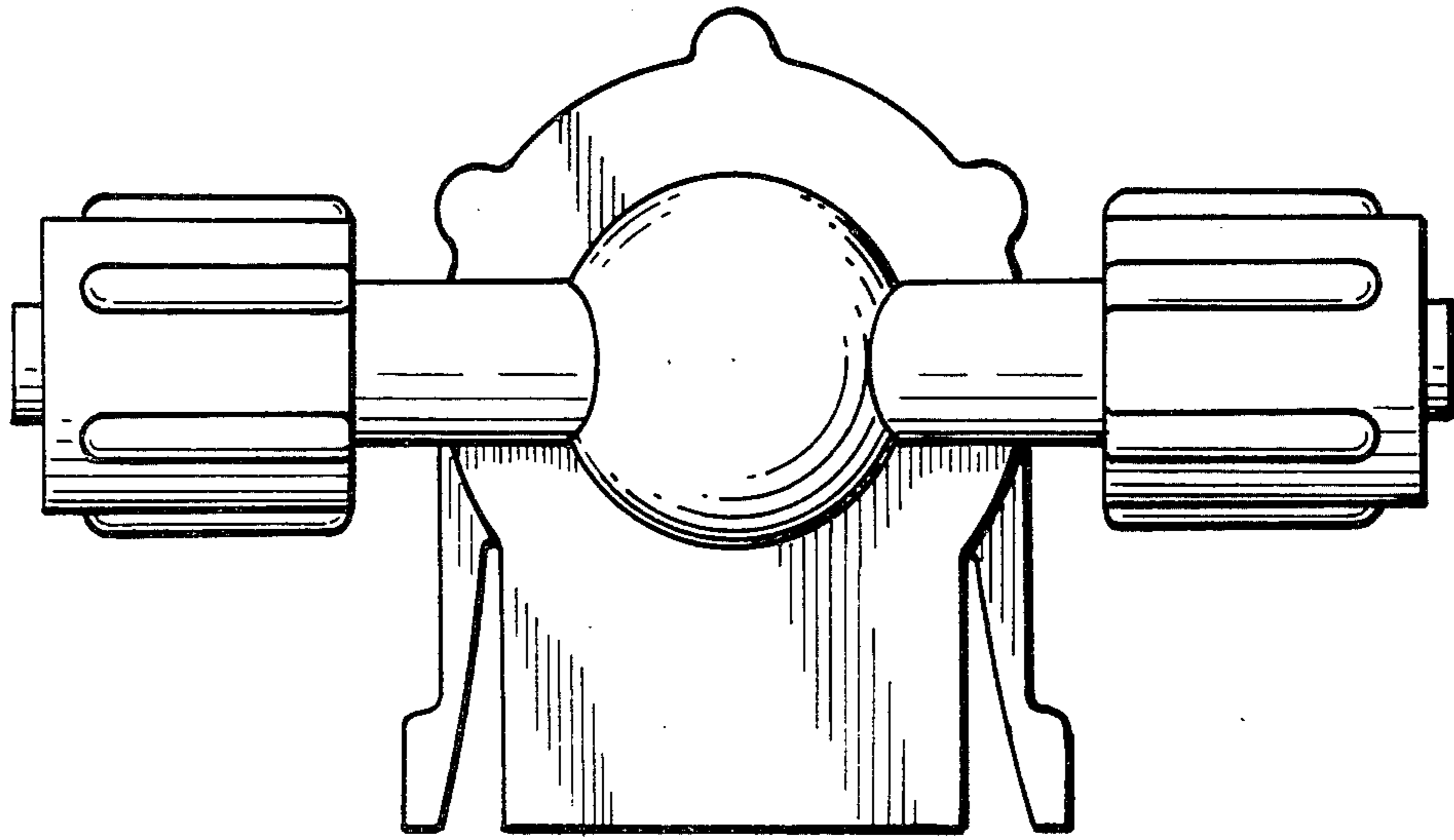


FIG. 2

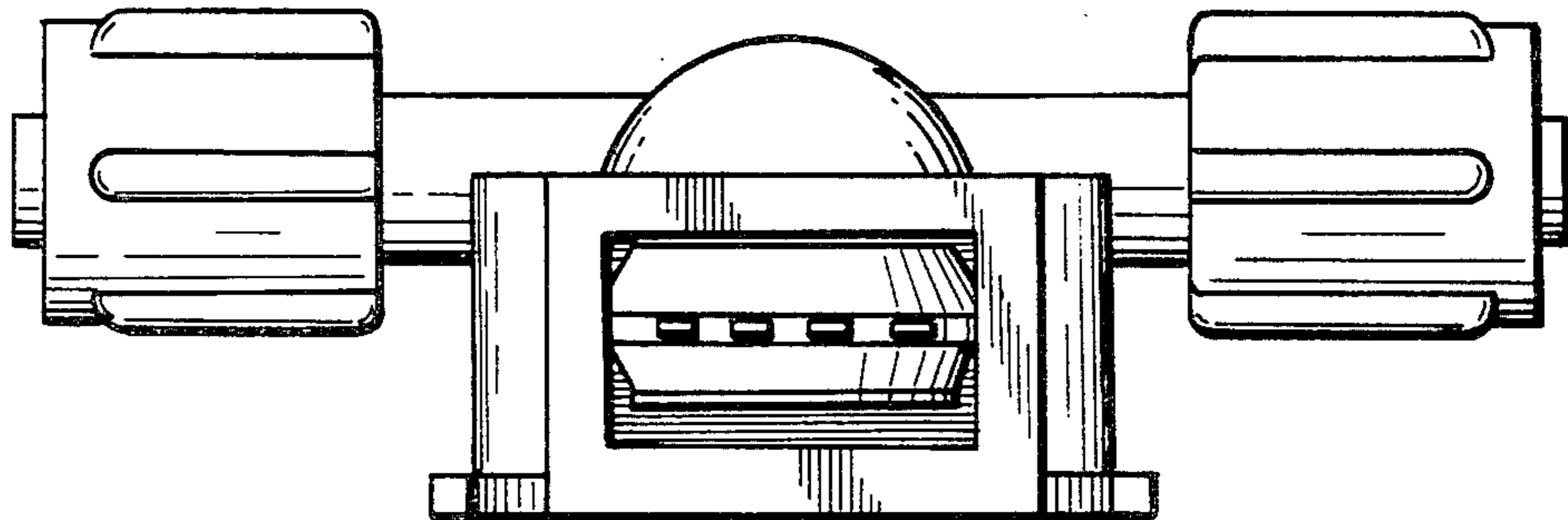


FIG. 3

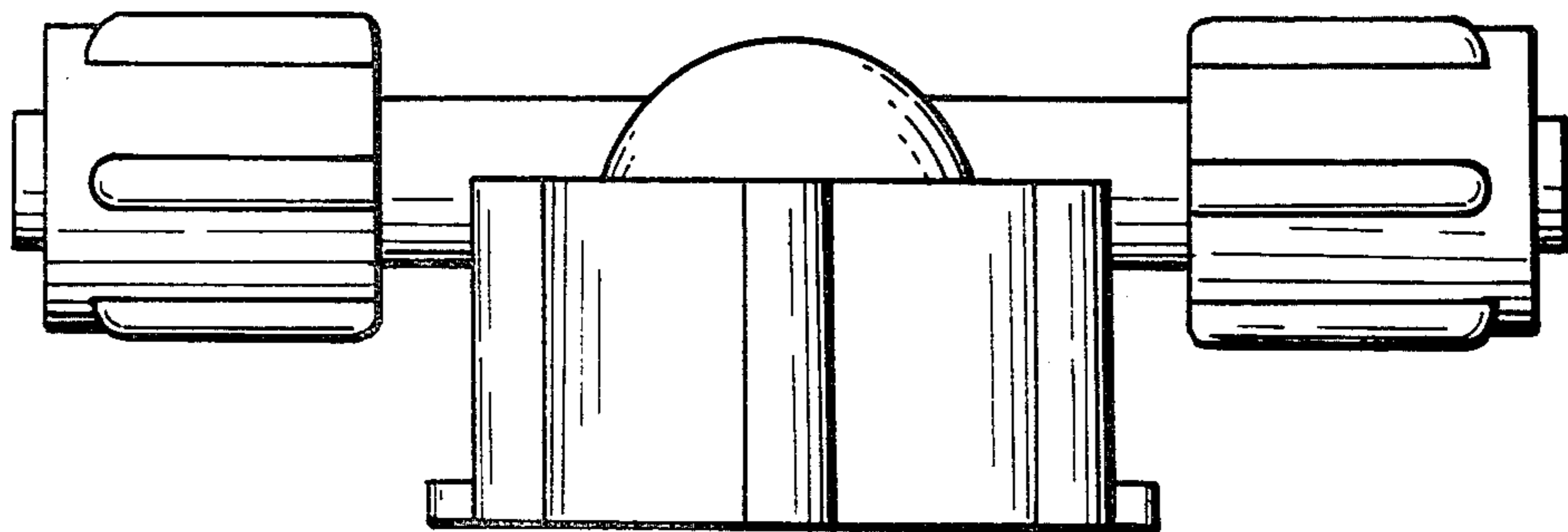


FIG. 4

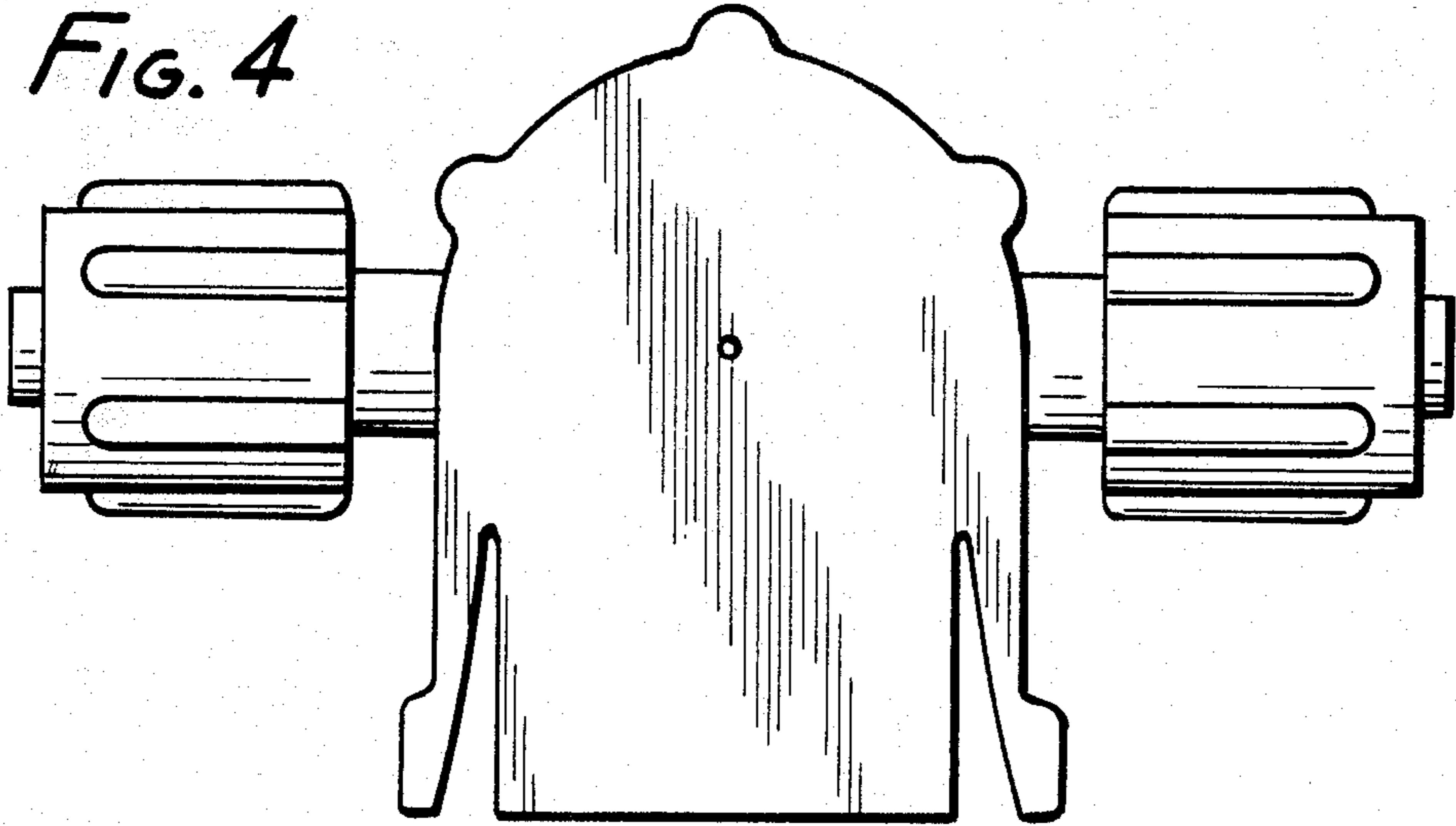


FIG. 5

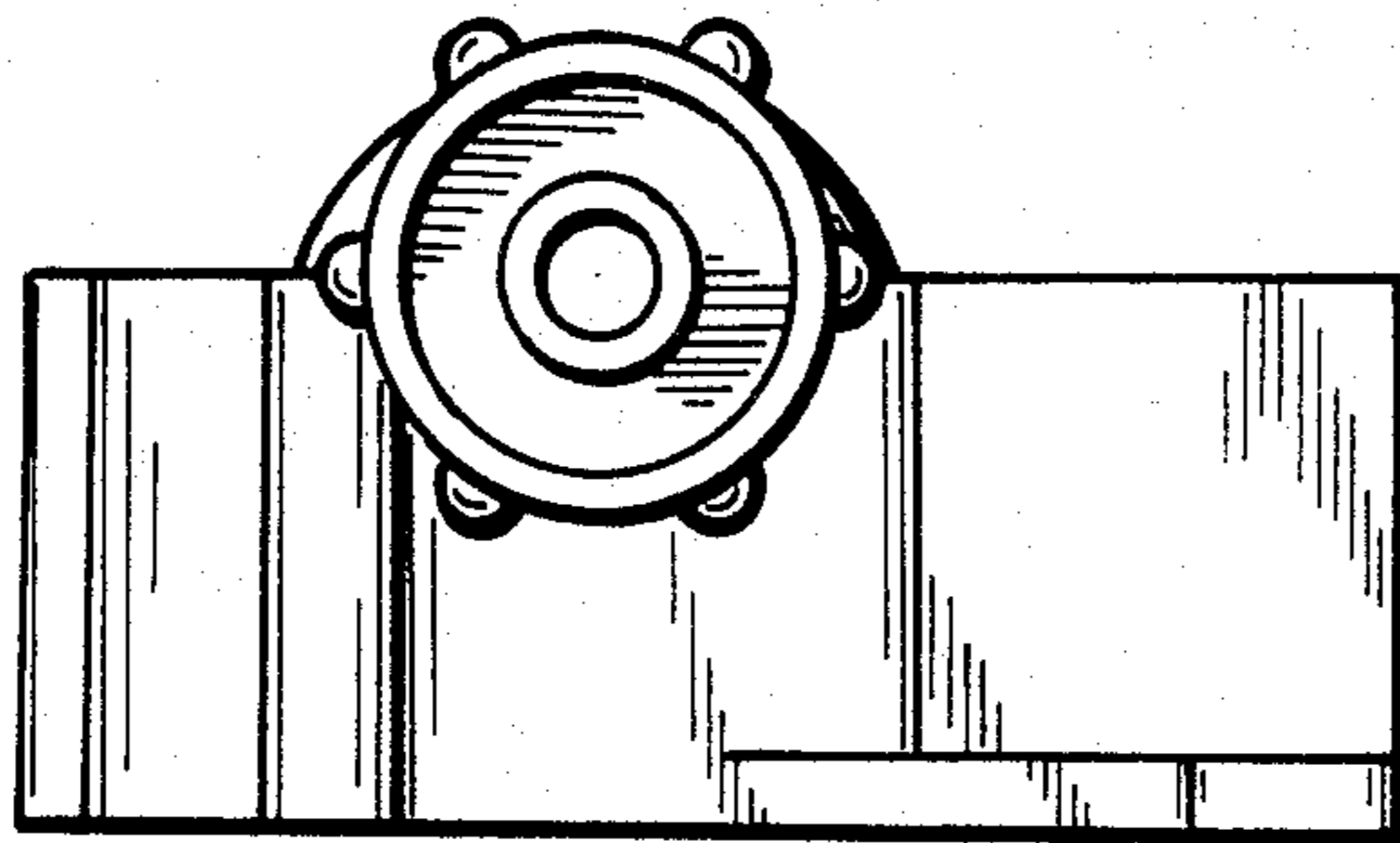


FIG. 6

