

[54] **WASTE HEAT RECOVERY DEVICE**

[76] **Inventor: Edwin A. Price, 16001 E. 11th Ave., Aurora, Colo. 80011**

[**] **Term: 14 Years**

[21] **Appl. No.: 409,886**

[22] **Filed: Aug. 20, 1982**

[52] **U.S. Cl. D23/136; D23/127**

[58] **Field of Search D23/127, 136, DIG. 12; 165/DIG. 2, DIG. 4; 126/19.5, 361, 364; 34/86**

[56] **References Cited**

U.S. PATENT DOCUMENTS

D. 244,032 4/1977 Deetz et al. D23/127

3,124,197 3/1964 Funk 165/DIG. 2 X
4,078,602 3/1978 Richer 165/DIG. 2 X
4,342,359 8/1982 Baker 165/DIG. 2

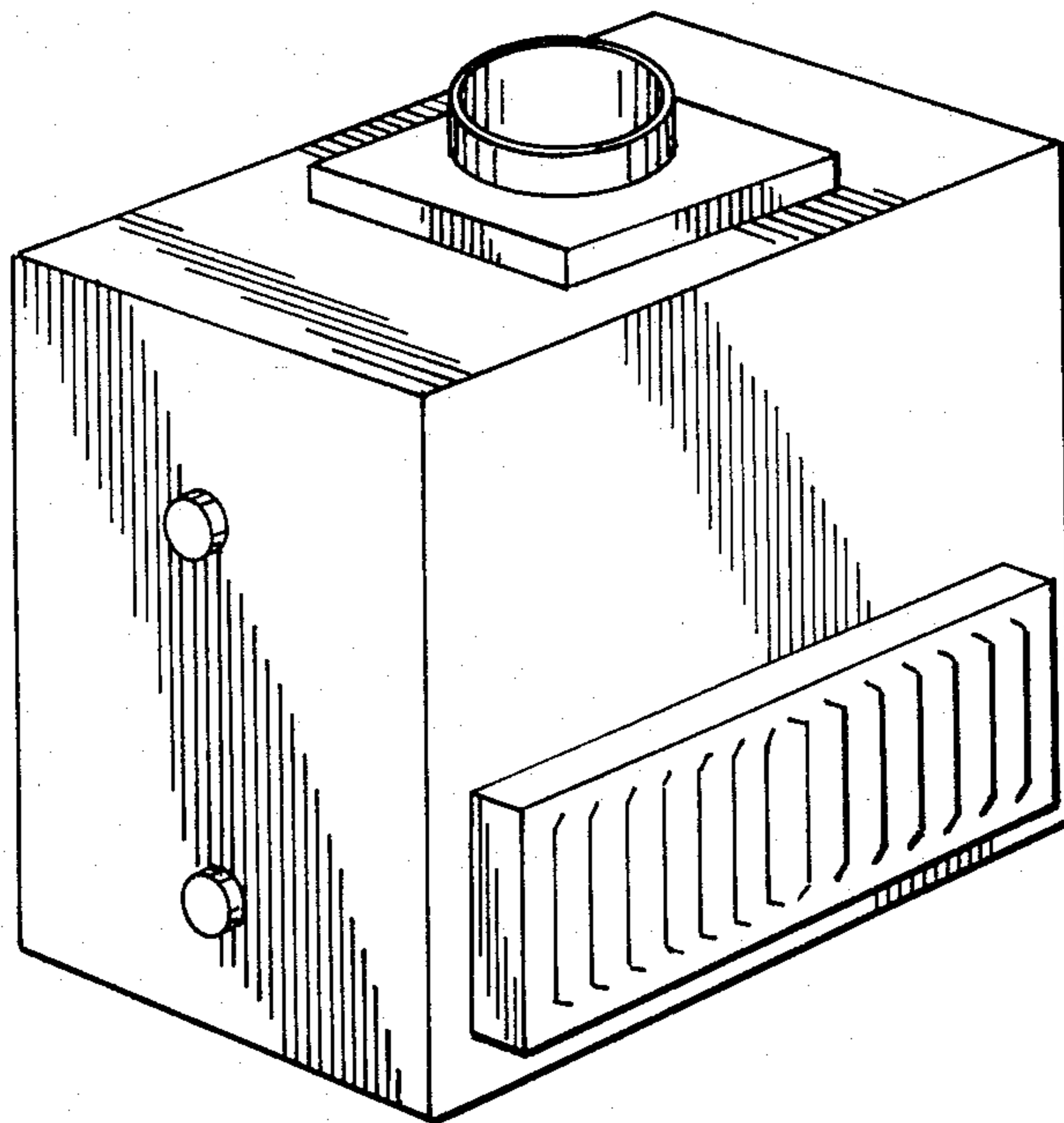
Primary Examiner—Catherine E. Kemper

[57] **CLAIM**

The ornamental design for a waste heat recovery device, as shown and described.

DESCRIPTION

FIG. 1 is a perspective view of a waste heat recovery device, showing my new design; FIG. 2 is a side elevational view thereof; and FIG. 3 is a rear plan view thereof; and FIG. 4 is a top plan view thereof; the base plan view being a mirror image thereof; FIG. 5 is a front elevational view thereof.



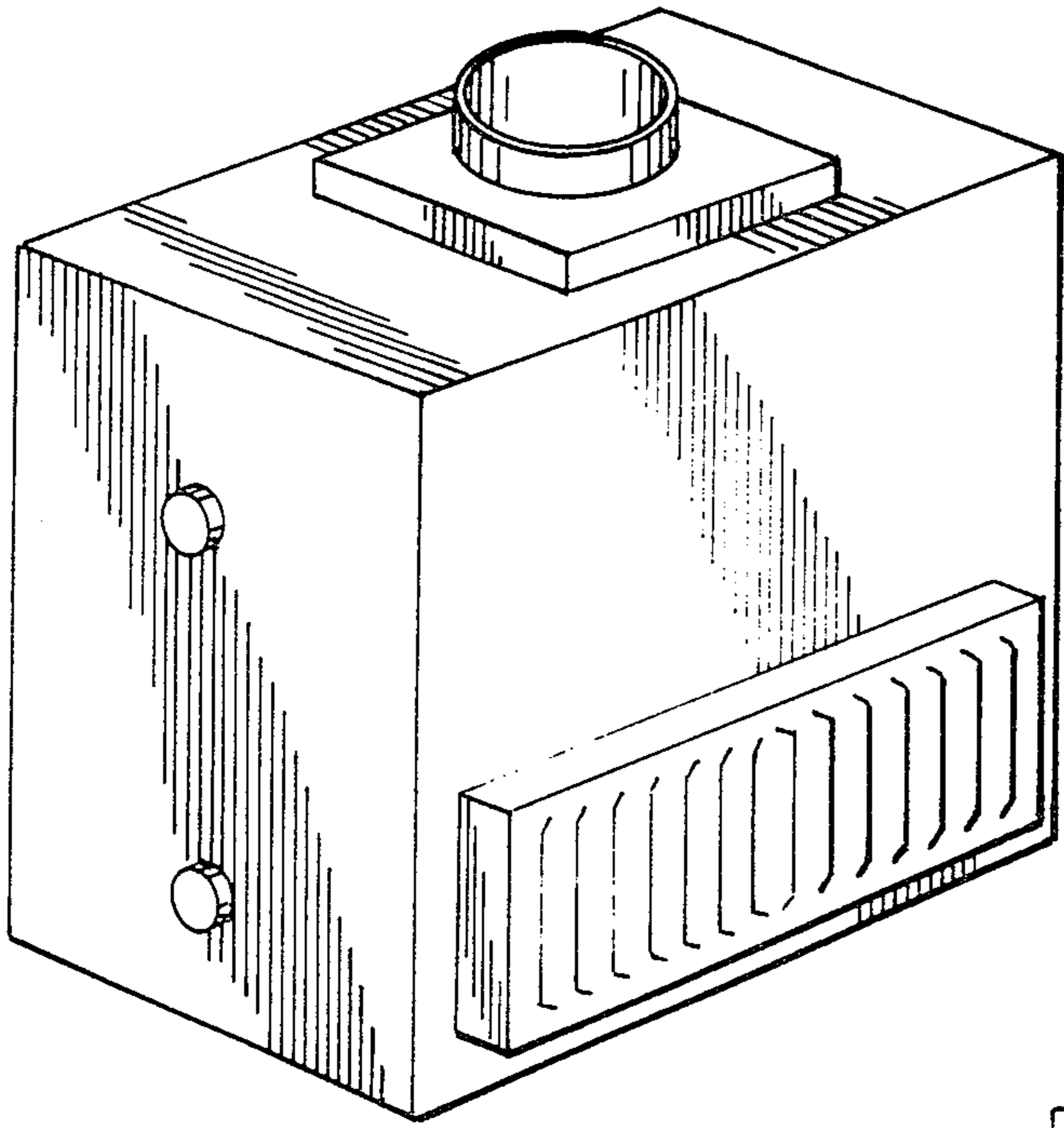


FIG. 1

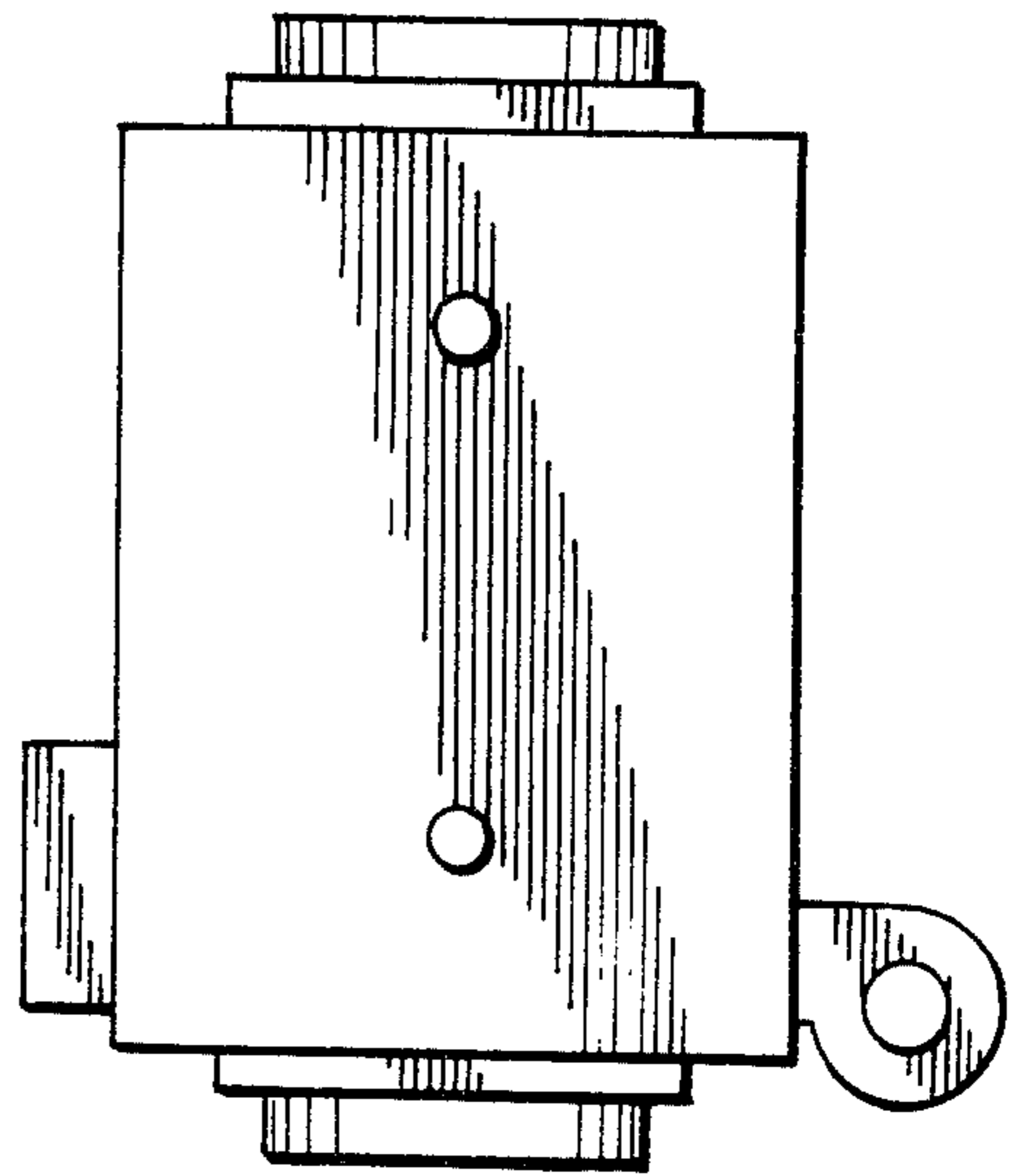


FIG. 2

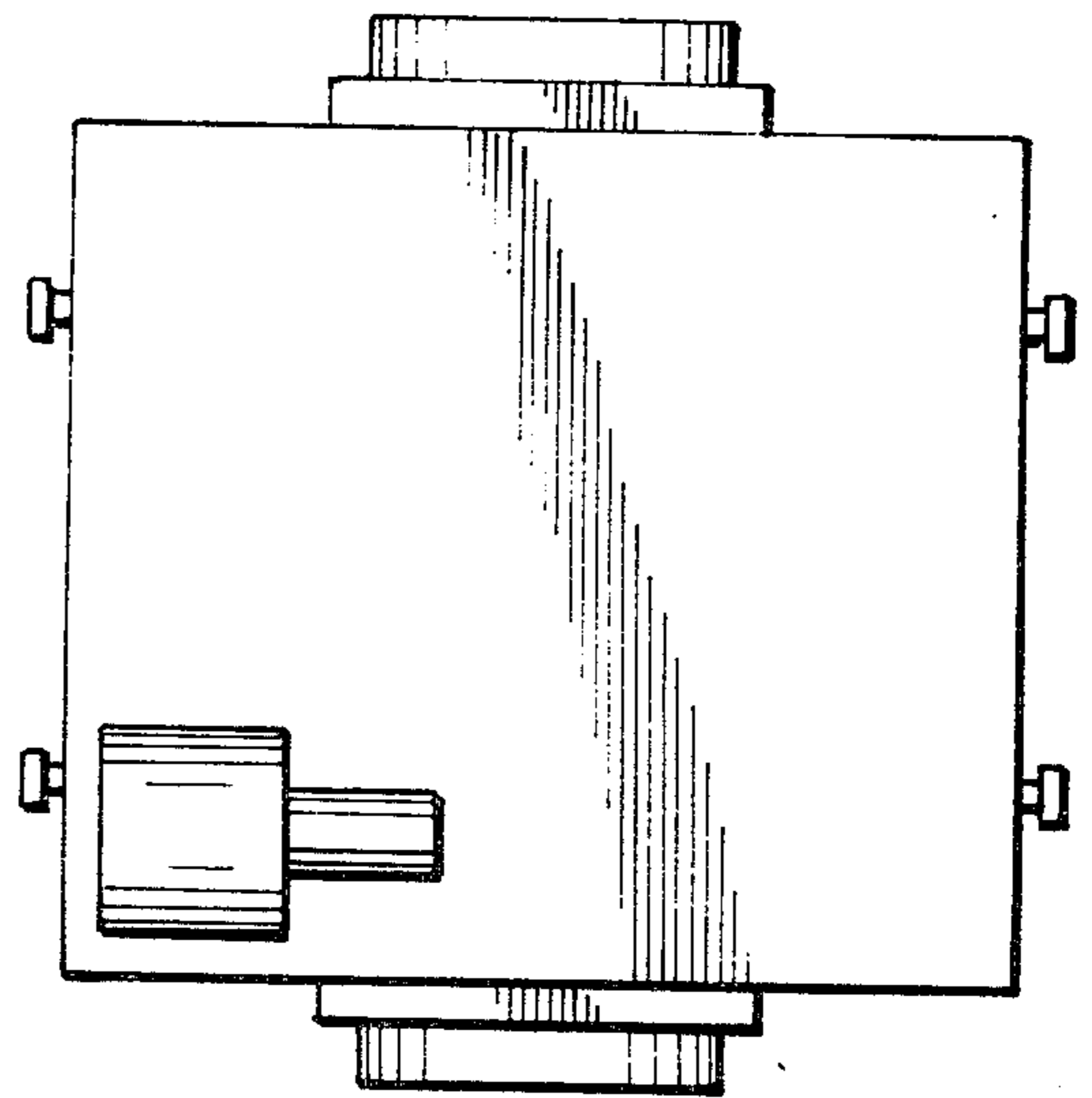


FIG. 3

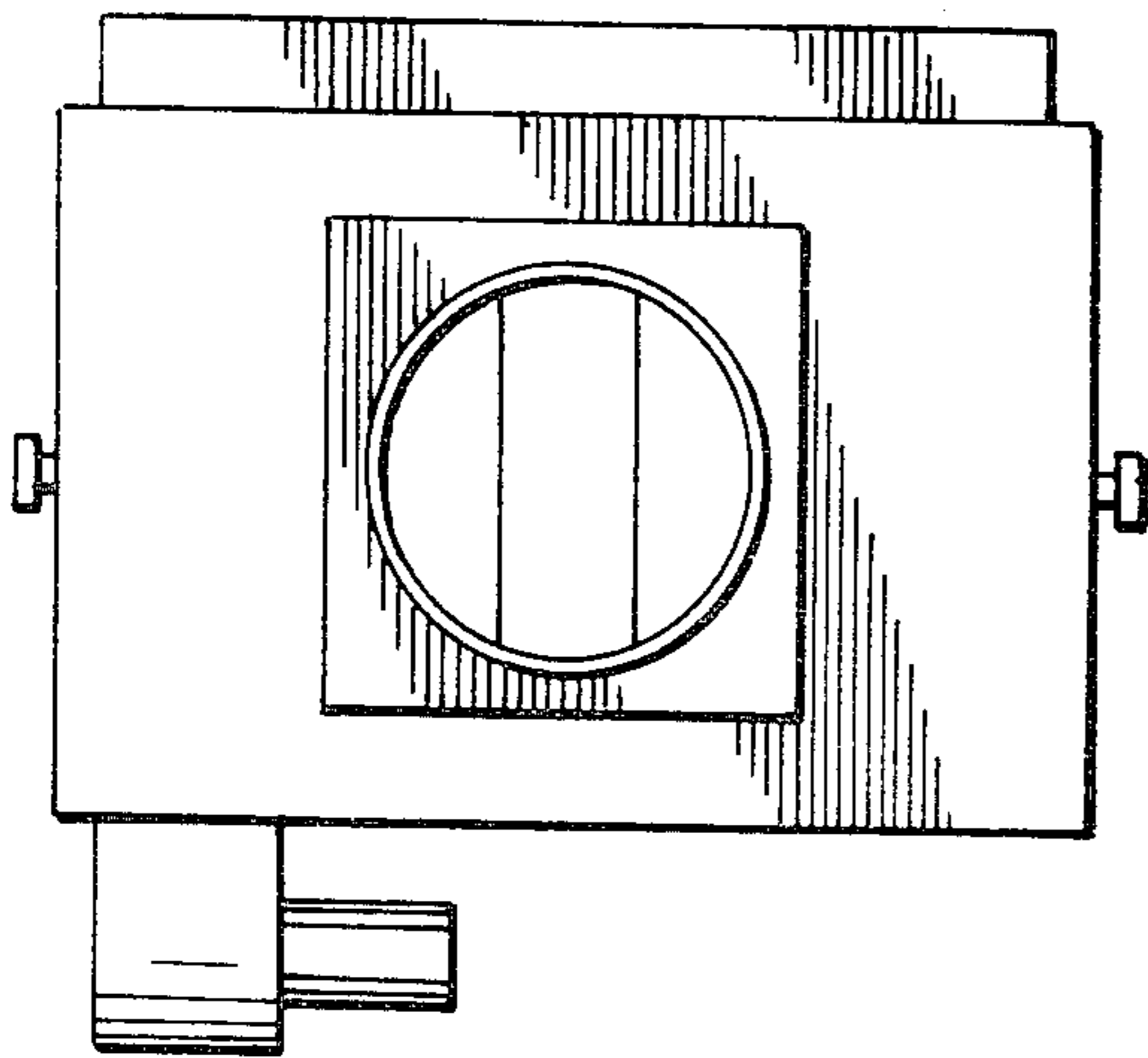


FIG. 4

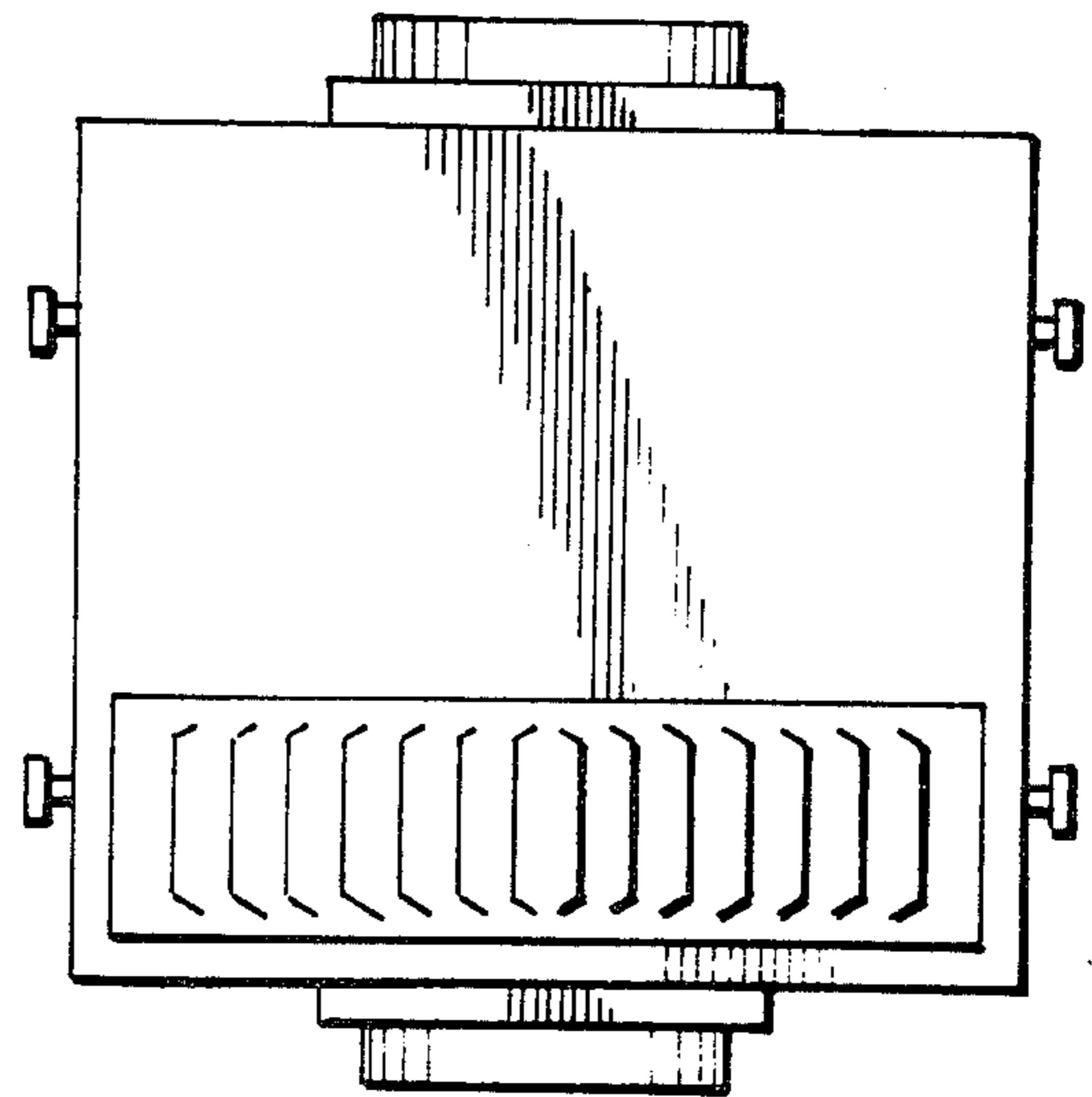


FIG. 5