

[54] ICE FISHING BOX HAVING AN INDICATOR MOUNTED ON A REMOVABLE REEL ASSEMBLY

3,030,122	4/1962	Madera	43/4 X
3,423,867	1/1969	Bartletti	43/17
3,813,891	6/1974	Wootten	43/4 X
4,079,537	3/1978	Chretien	43/17
4,285,154	8/1981	Grahl	43/17

[76] Inventor: Alvin H. Eli, R.R. 1100, Great Falls, Mont. 59401

Primary Examiner—A. Hugo Word
Attorney, Agent, or Firm—Warren F. B. Lindsley

[**] Term: 14 Years

[21] Appl. No.: 486,570

[57] CLAIM

[22] Filed: Apr. 20, 1983

The ornamental design for an ice fishing box having an indicator mounted on a removable reel assembly, as shown and described.

[52] U.S. Cl. D22/22; D22/13; D22/23

[58] Field of Search 43/1, 4, 16, 17; D22/13, 22, 23

DESCRIPTION

[56] References Cited

U.S. PATENT DOCUMENTS

188,503	3/1877	Davis	43/17
D. 196,888	11/1963	Pilsner	D22/13
2,618,091	3/1952	Sheraoki	43/17

FIG. 1 is a top perspective front view of an ice fishing box having an indicator mounted on a removable reel assembly showing my new design; FIG. 2 is a back view of FIG. 1; FIG. 3 is a left end view of FIG. 1; FIG. 4 is a top view of FIG. 1; and FIG. 5 is a bottom view of FIG. 1.

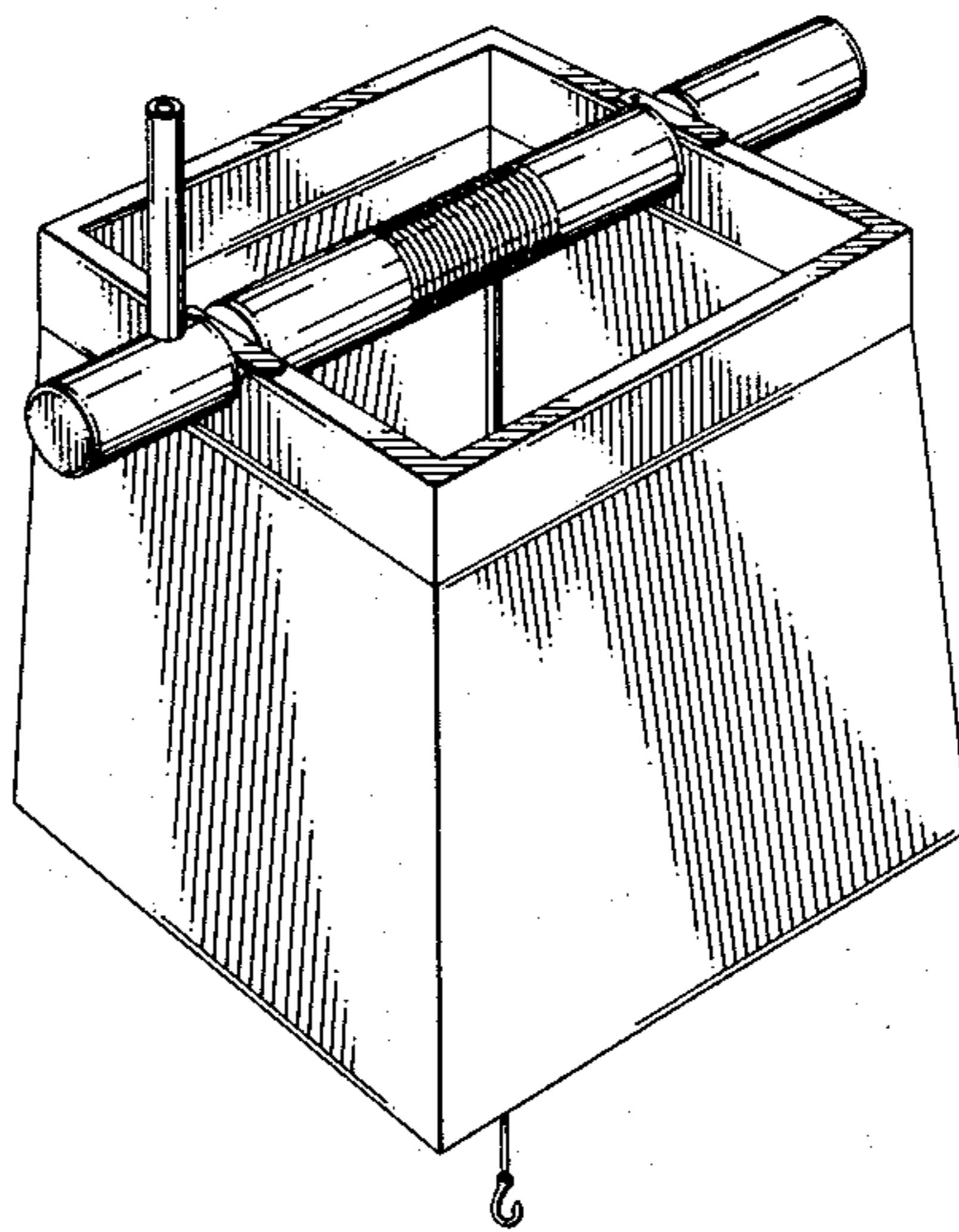


FIG. 1

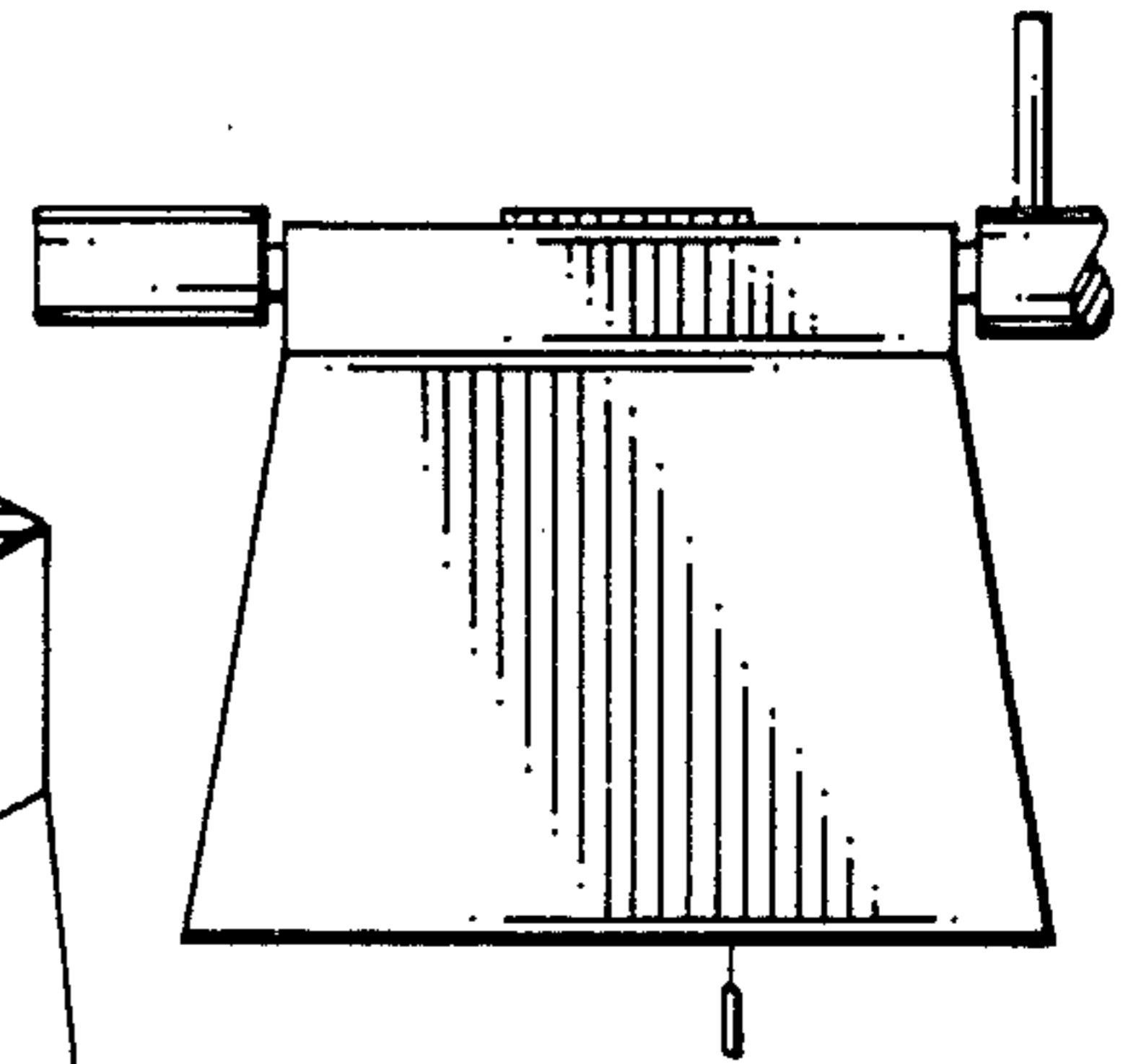
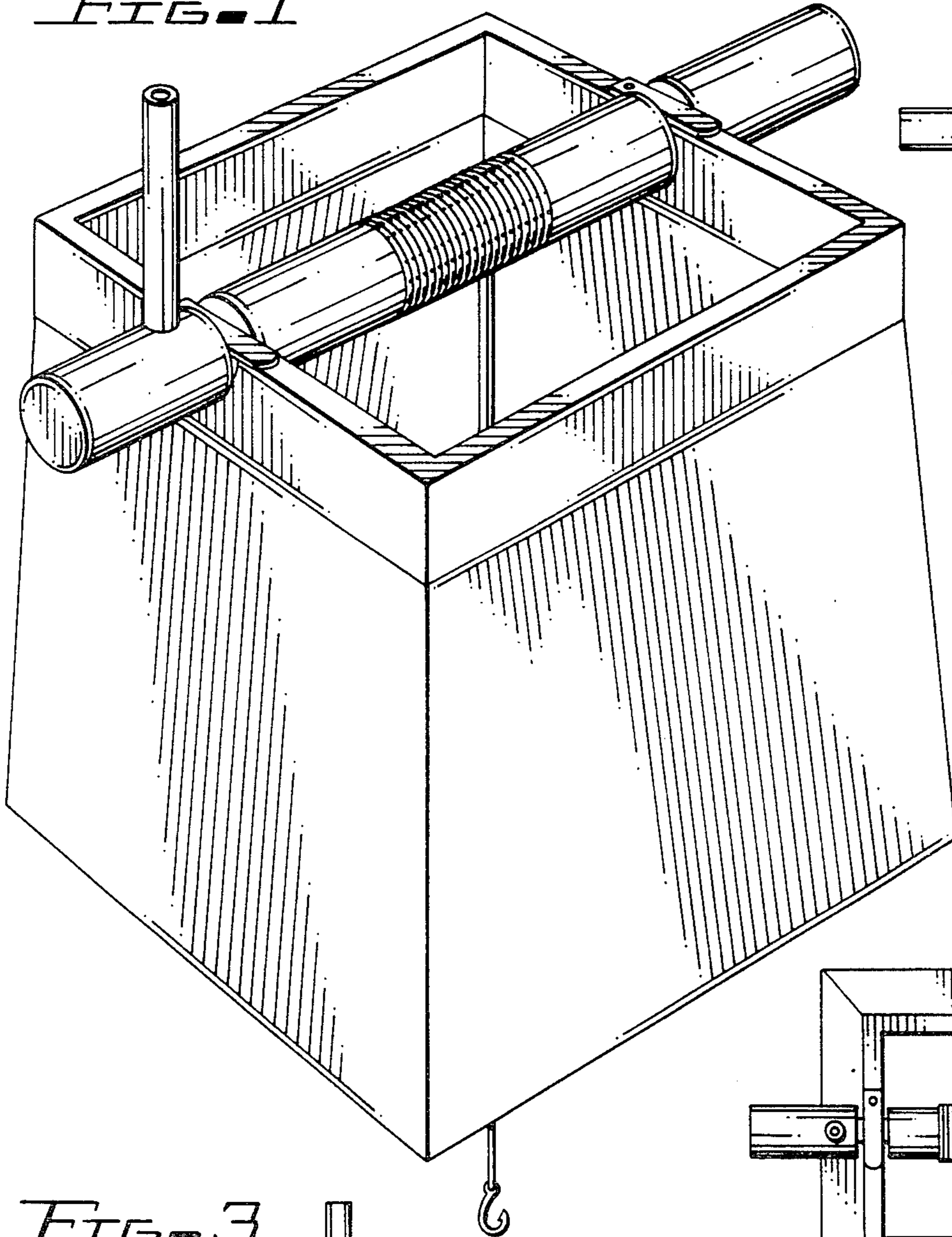


FIG. 2

FIG. 3

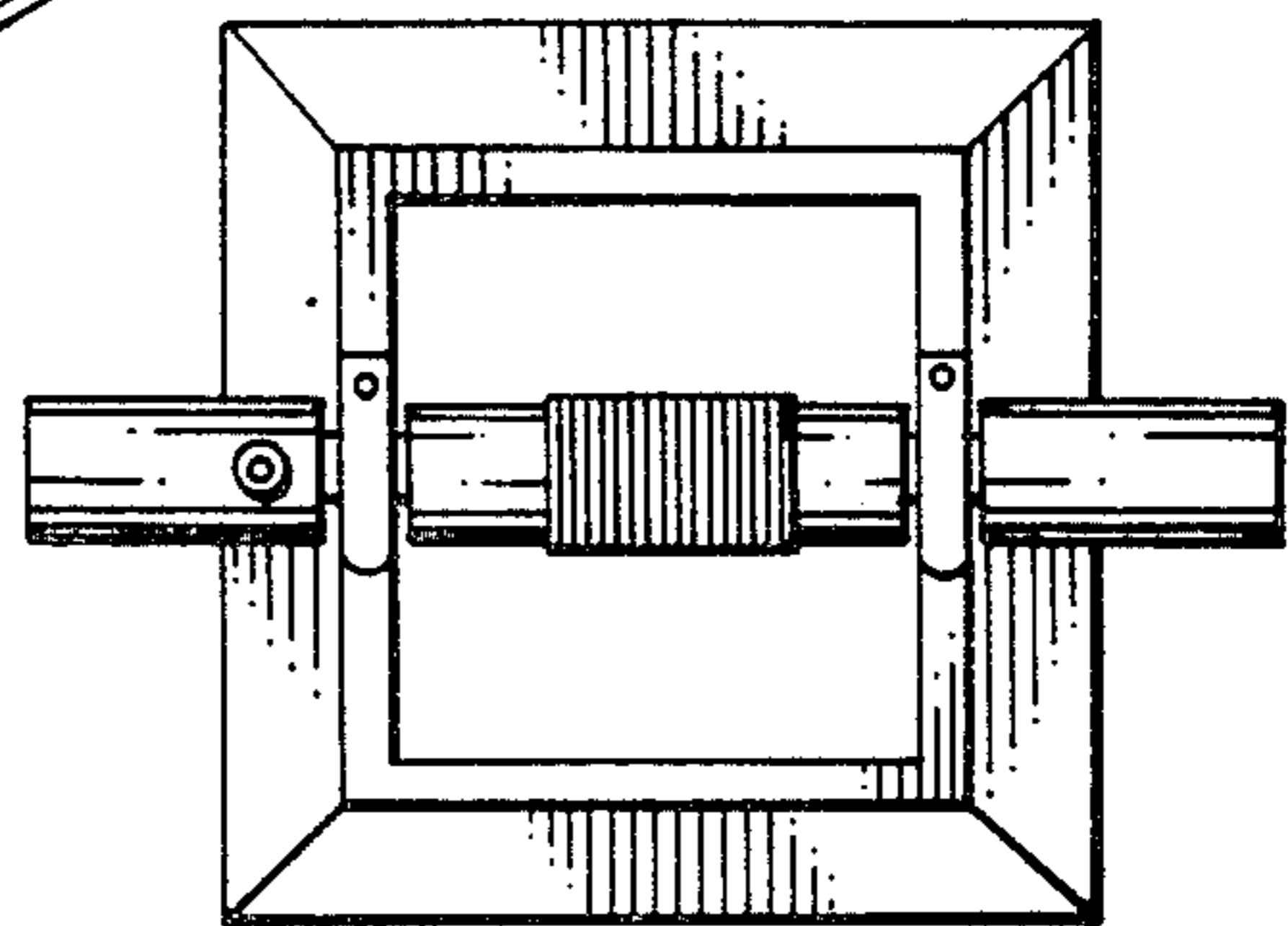
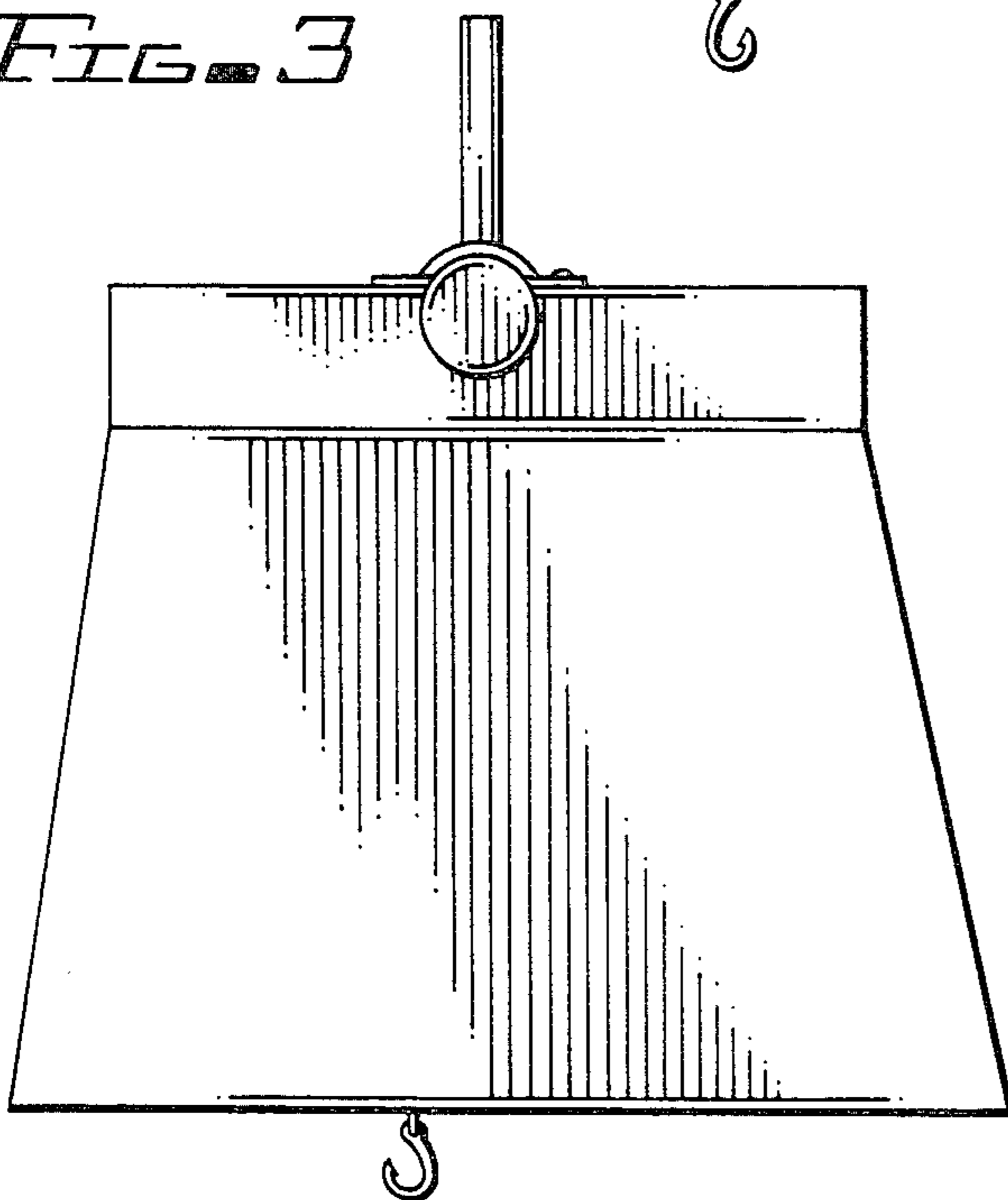


FIG. 4

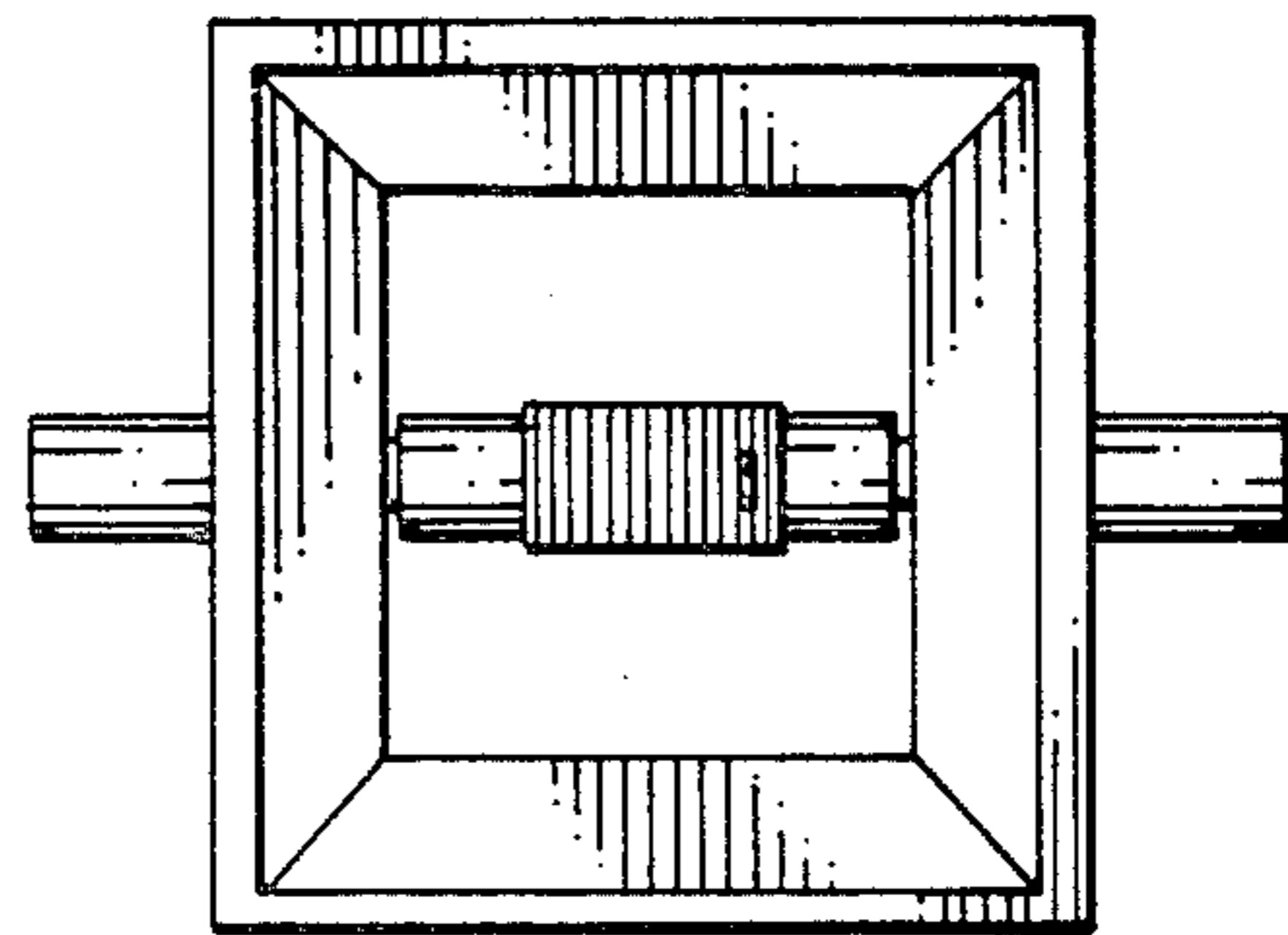


FIG. 5