

[54] **ARCHER'S THIGH-FASTENED BOW SUPPORT**

[76] **Inventor: Dale Morrell, P.O. Box 233, Dyer, Ark. 72935**

[\*\*] **Term: 14 Years**

[21] **Appl. No.: 523,166**

[22] **Filed: Aug. 15, 1983**

[52] **U.S. Cl. .... D22/13; D2/400**

[58] **Field of Search ..... 124/24 R, 23 R, 41 R, 124/41 A, 86, 87, 88, 89; 224/222, 916; D22/1, 5, 13, 14, 99; D2/27, 400**

[56] **References Cited**

**U.S. PATENT DOCUMENTS**

D. 254,759	4/1980	Rodstein .....	D2/400 X
3,208,653	9/1965	Wallace .....	124/23 R X
4,103,807	8/1978	Lyon et al. ....	224/222

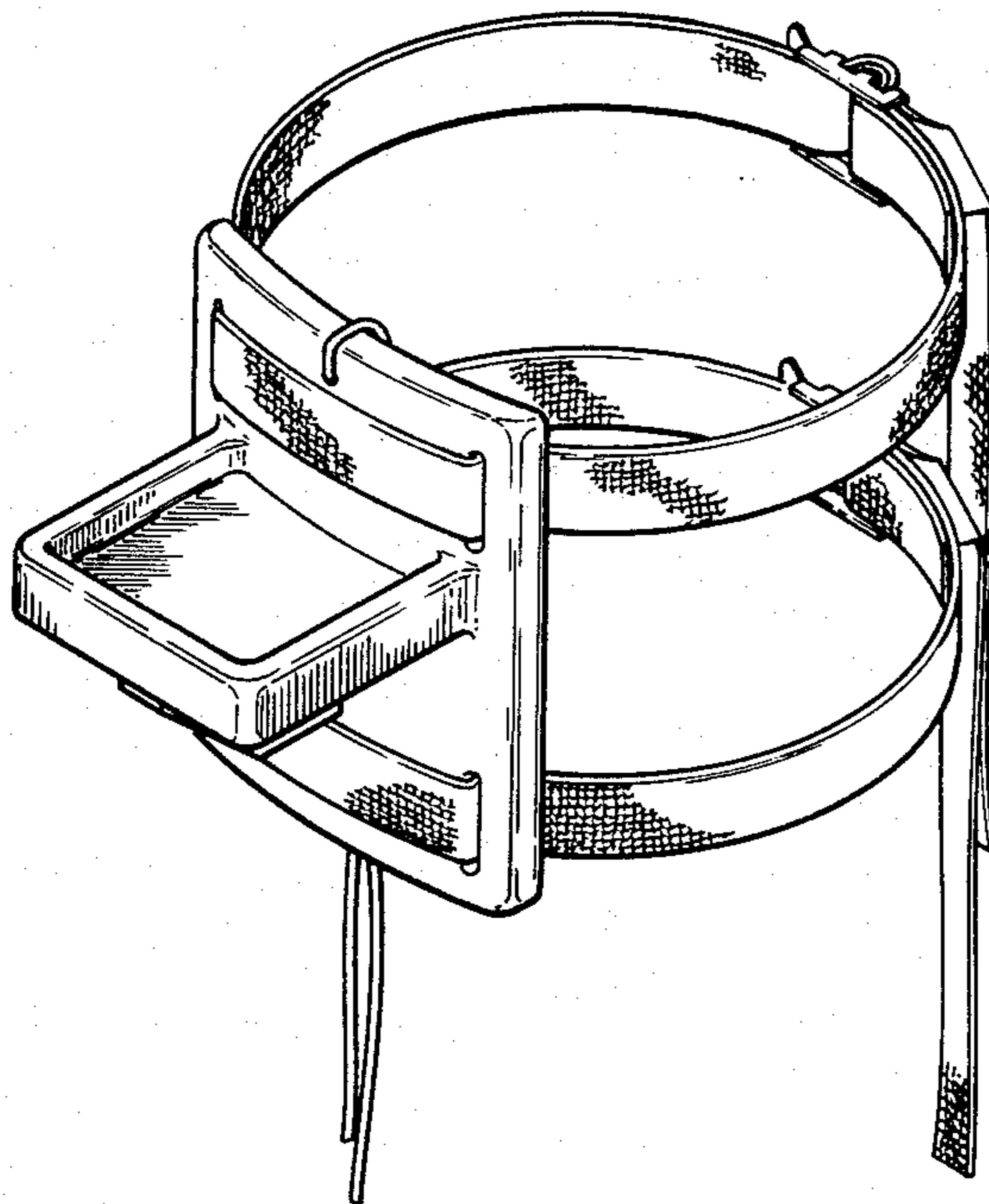
*Primary Examiner*—A. Hugo Word  
*Attorney, Agent, or Firm*—Robert R. Keegan

[57] **CLAIM**

The ornamental design for an archer's thigh-fastened bow support, as shown and described.

**DESCRIPTION**

FIG. 1 is an isometric view of an archer's thigh-fastened bow support embodying my design; FIG. 2 is a bottom plan view thereof; FIG. 3 is a rear elevational view thereof; and FIG. 4 is a side elevational view thereof.



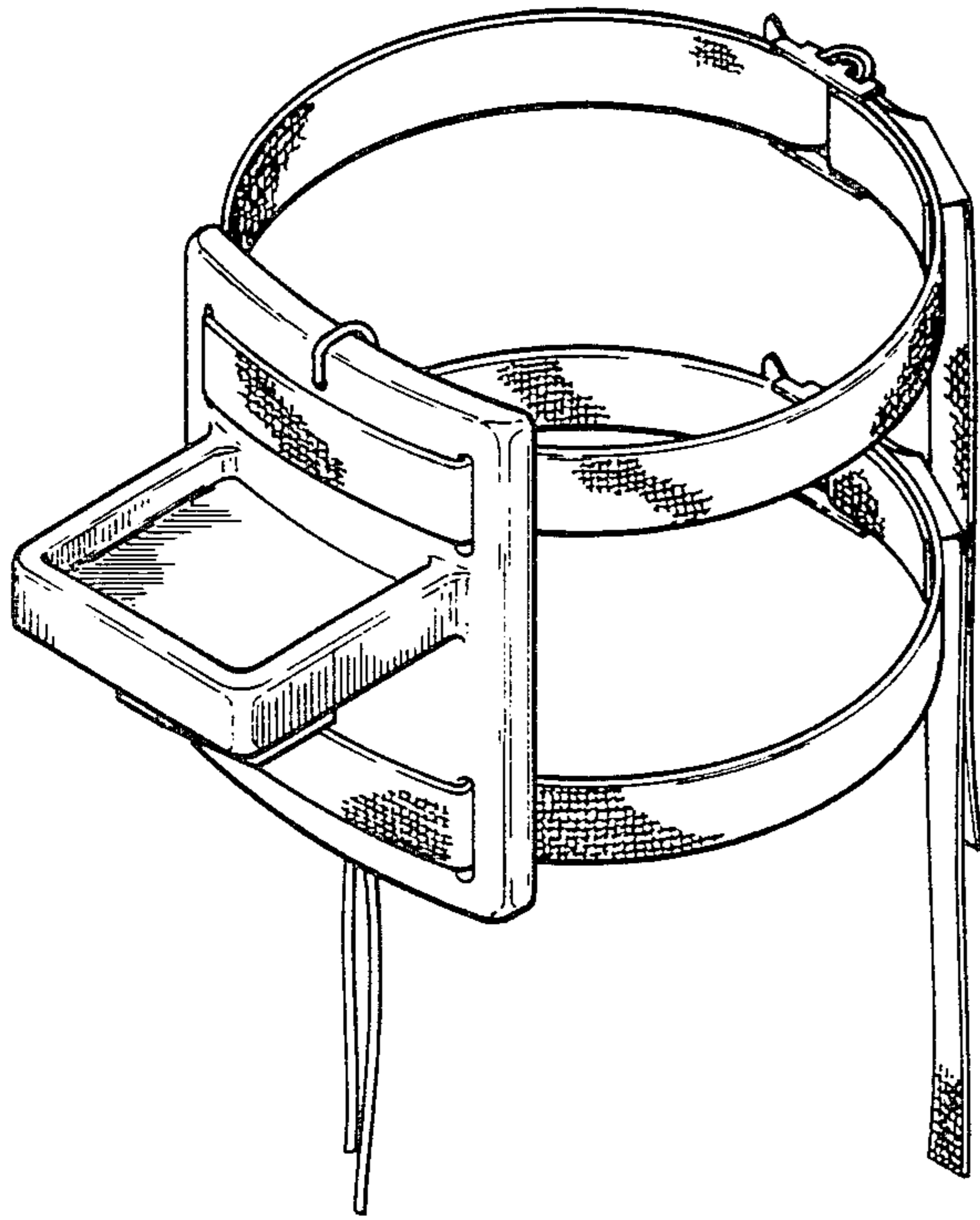


FIG. 1

FIG. 2

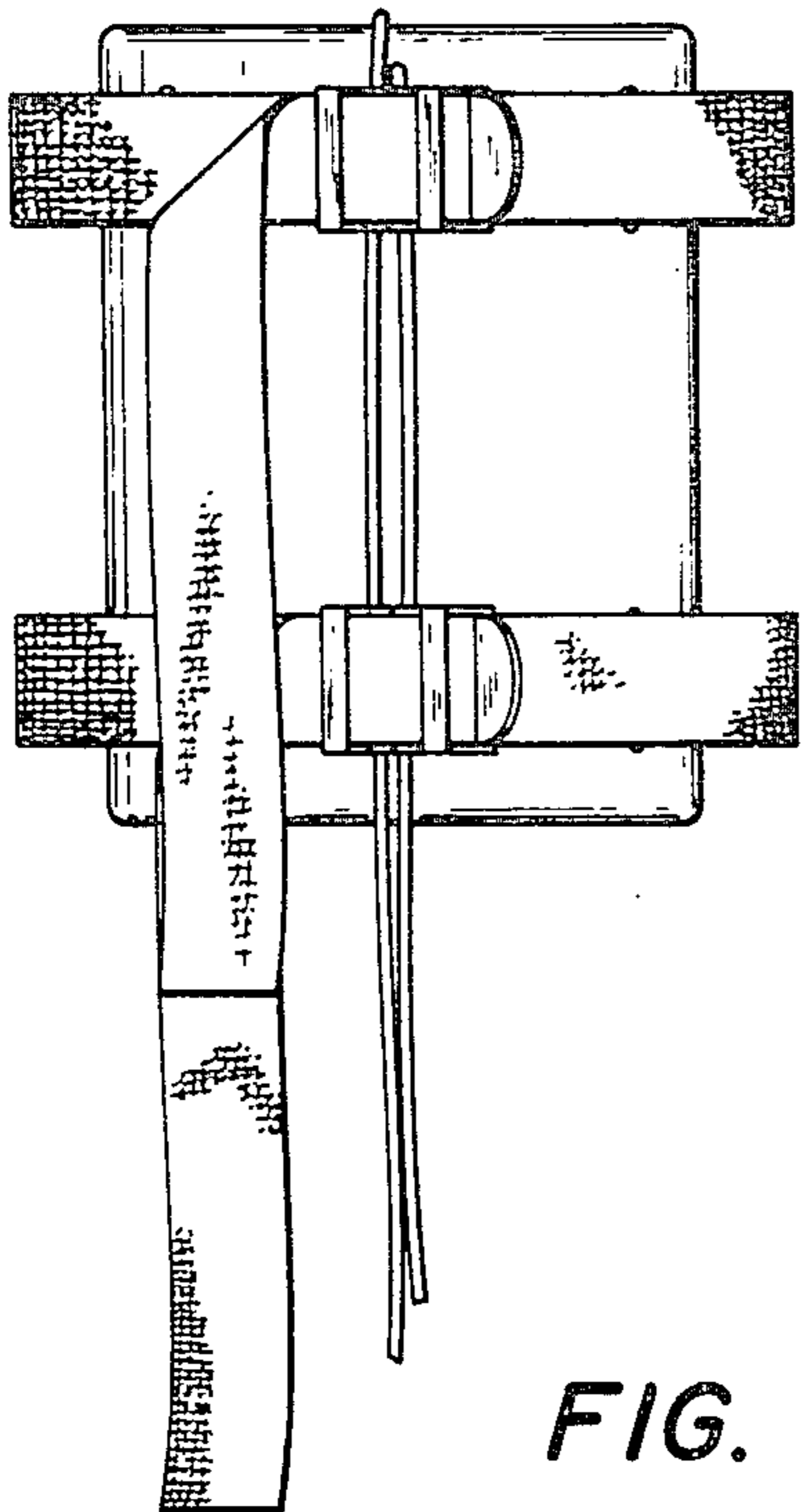
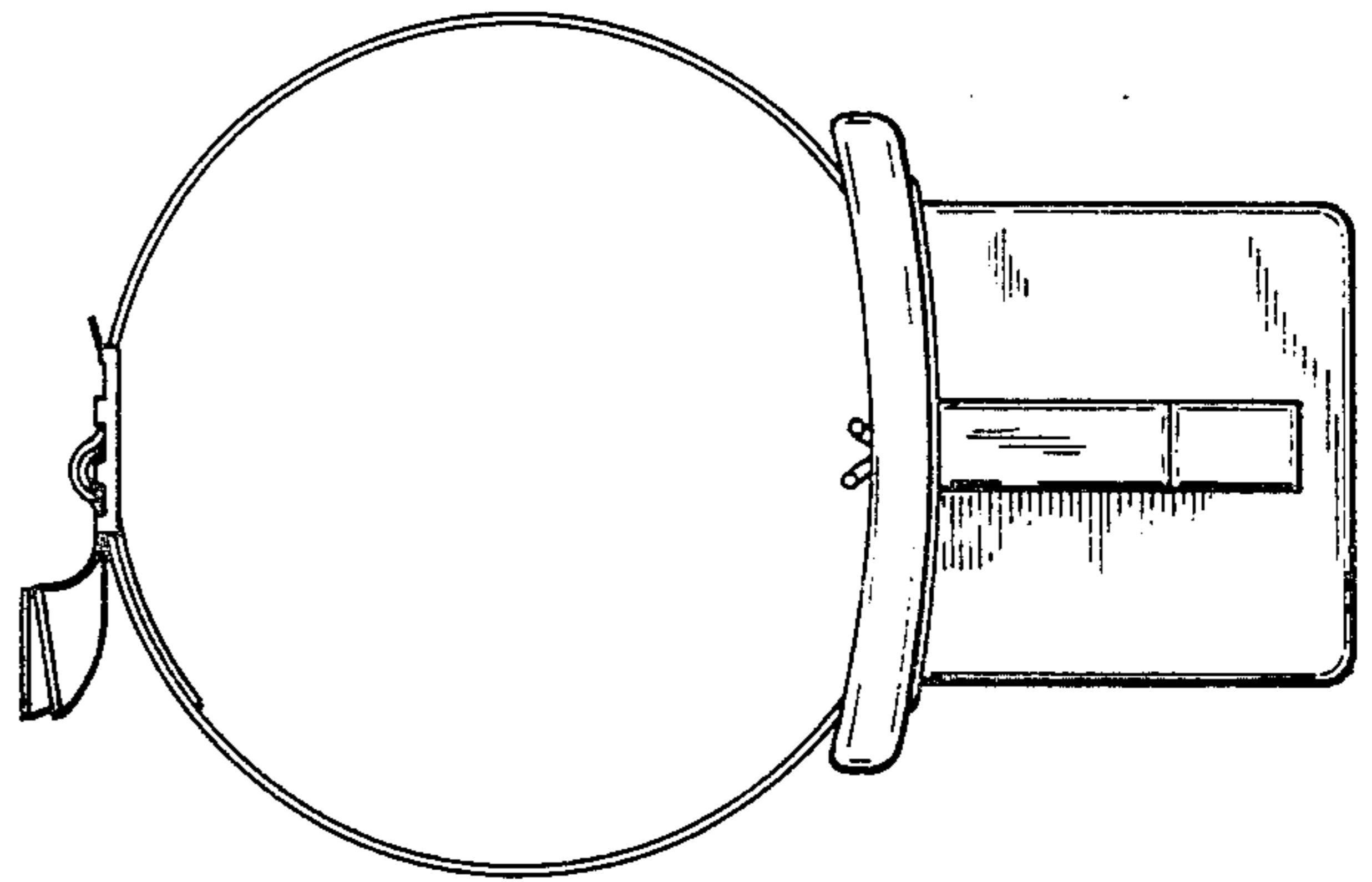


FIG. 3

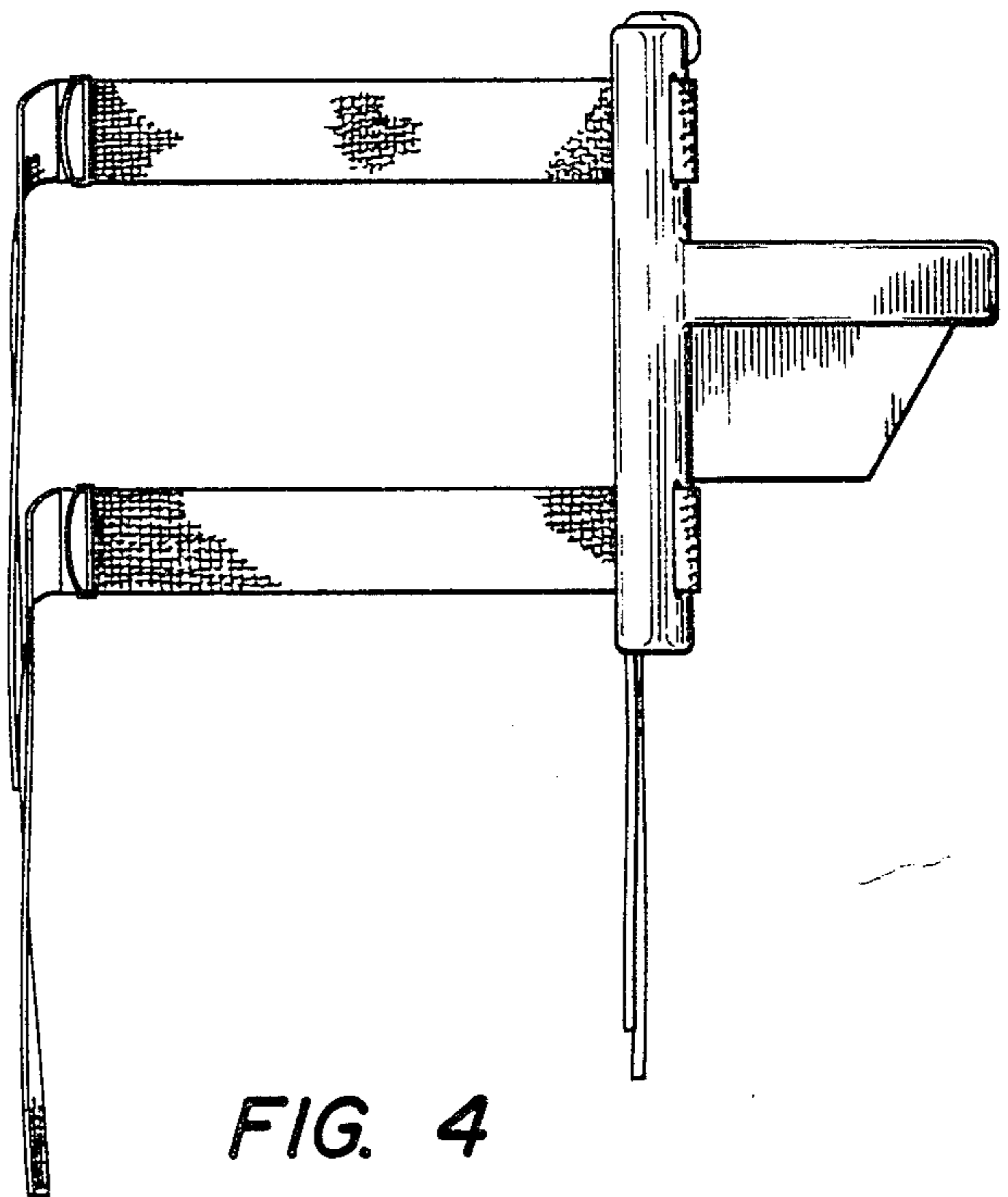


FIG. 4