

[54] TOY TOOTHPASTE DISPENSER

[75] Inventor: Patrick J. Coyne, Cleveland Heights, Ohio

[73] Assignee: Meritus Industries, Inc., Fairfield, N.J.

[**] Term: 14 Years

[21] Appl. No.: 496,253

[22] Filed: May 19, 1983

[52] U.S. Cl. D21/122; D6/541

[58] Field of Search D6/542, 541; 222/390, 222/392, 391, 387; D21/120-123, 59; D12/319, 320

[56] References Cited

U.S. PATENT DOCUMENTS

D. 119,765 4/1940 Nixon D6/541

D. 176,978 2/1956 Ernst D6/541
D. 217,263 4/1970 Manning D6/541
D. 227,837 7/1973 Reinhardt D6/542

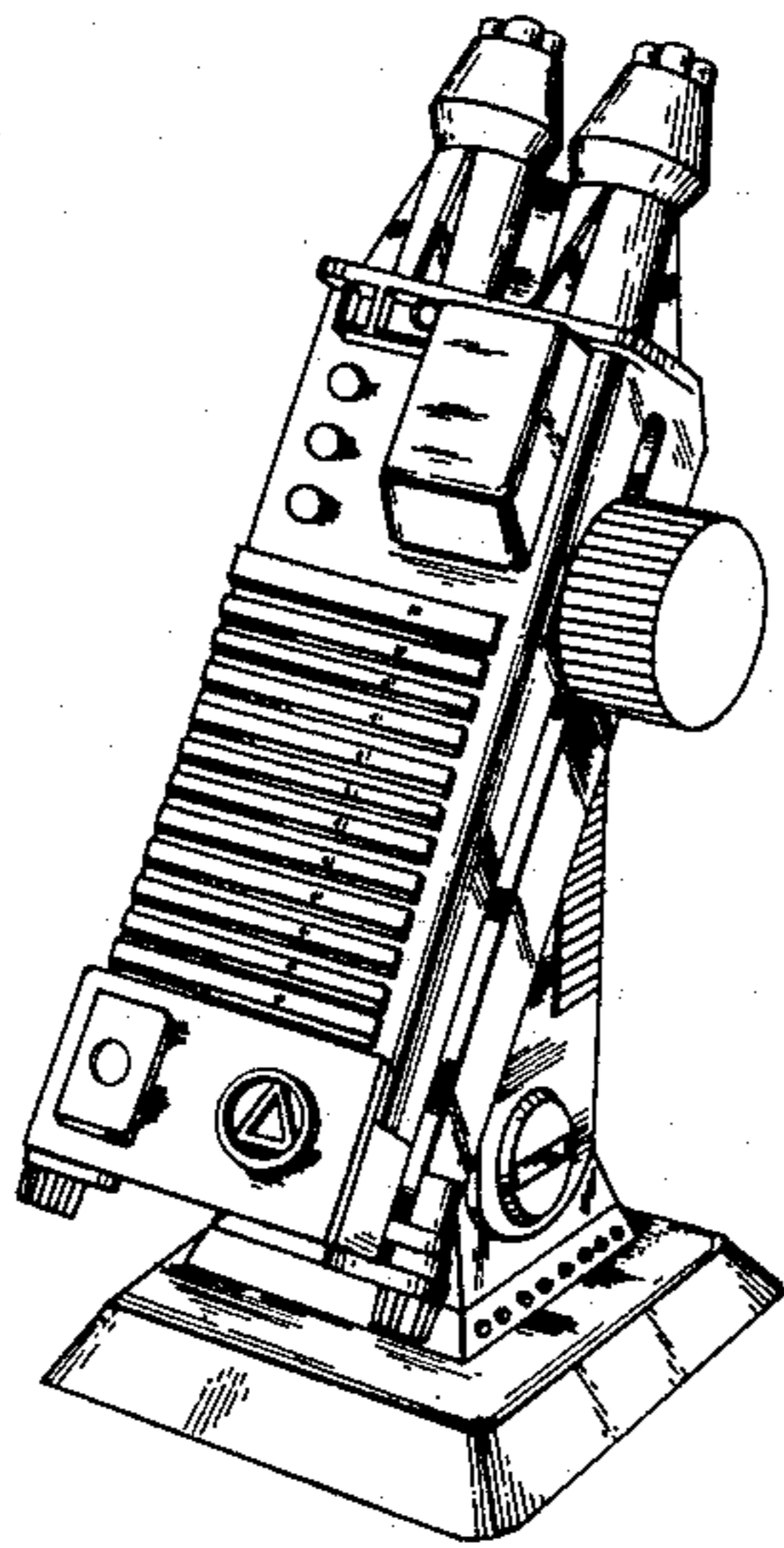
Primary Examiner—Charles A. Rademaker
Attorney, Agent, or Firm—Lerner, David, Littenberg, Krumholz & Mentlik

[57] CLAIM

The ornamental design for a toy toothpaste dispenser, substantially as shown and described.

DESCRIPTION

FIG. 1 is a perspective view of a toy toothpaste dispenser, showing my new design;
FIG. 2 is a front plan view thereof;
FIG. 3 is a rear plan view thereof;
FIG. 4 is a left plan view thereof;
FIG. 5 is a right plan view thereof;
FIG. 6 is a top plan view thereof; and
FIG. 7 is a bottom plan view thereof.



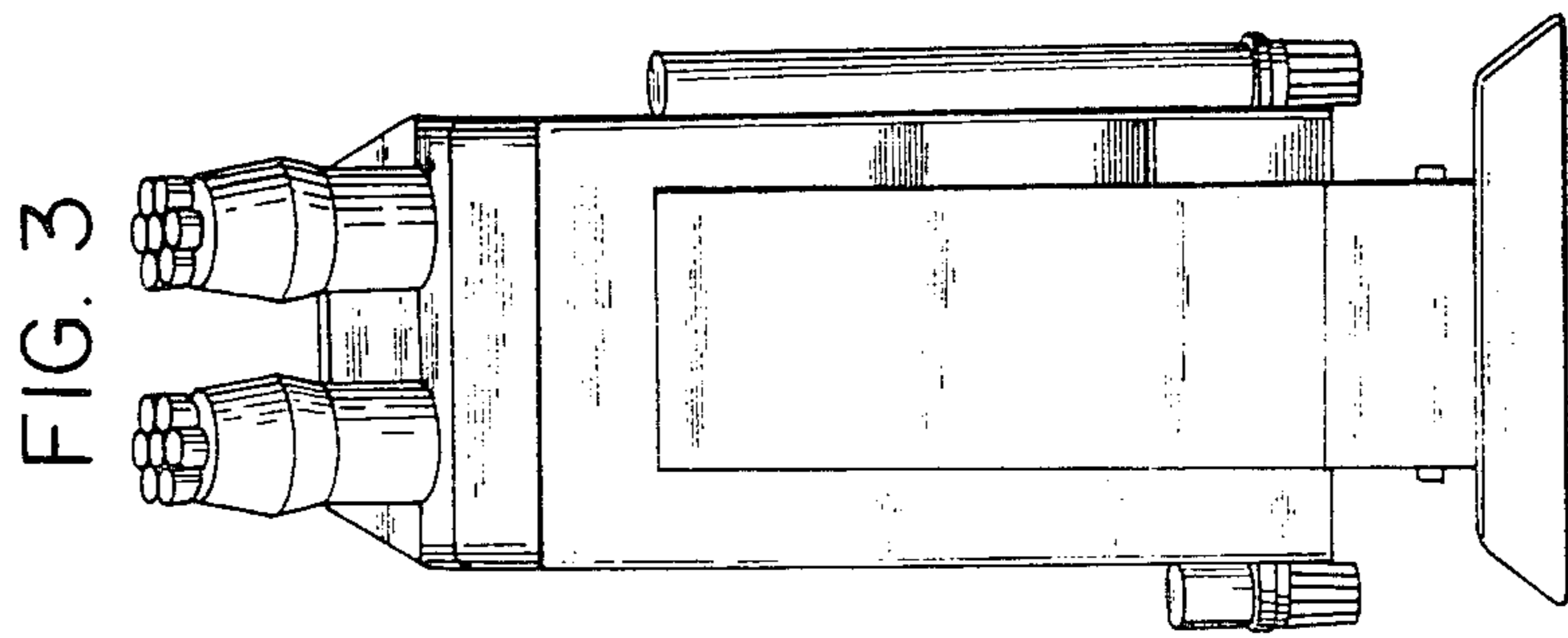
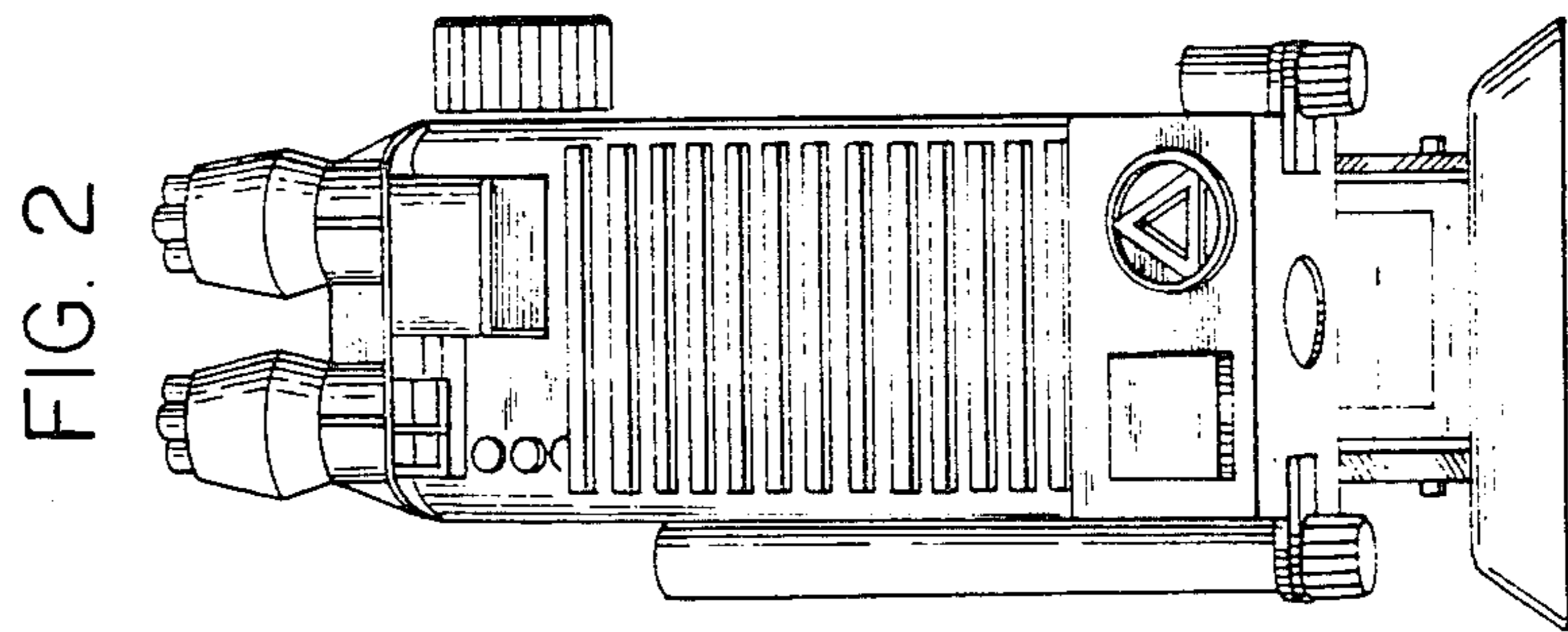
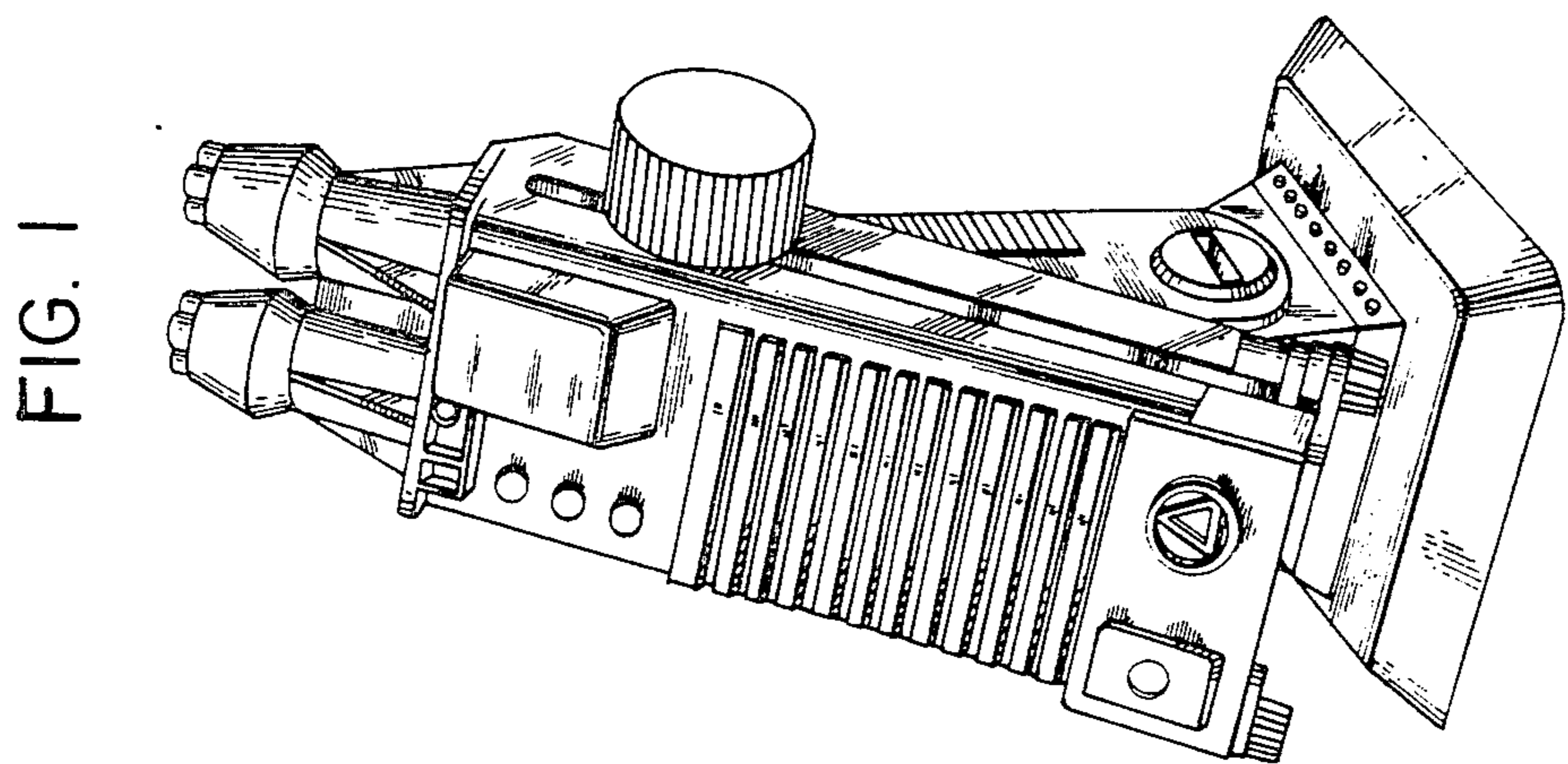


FIG. 6

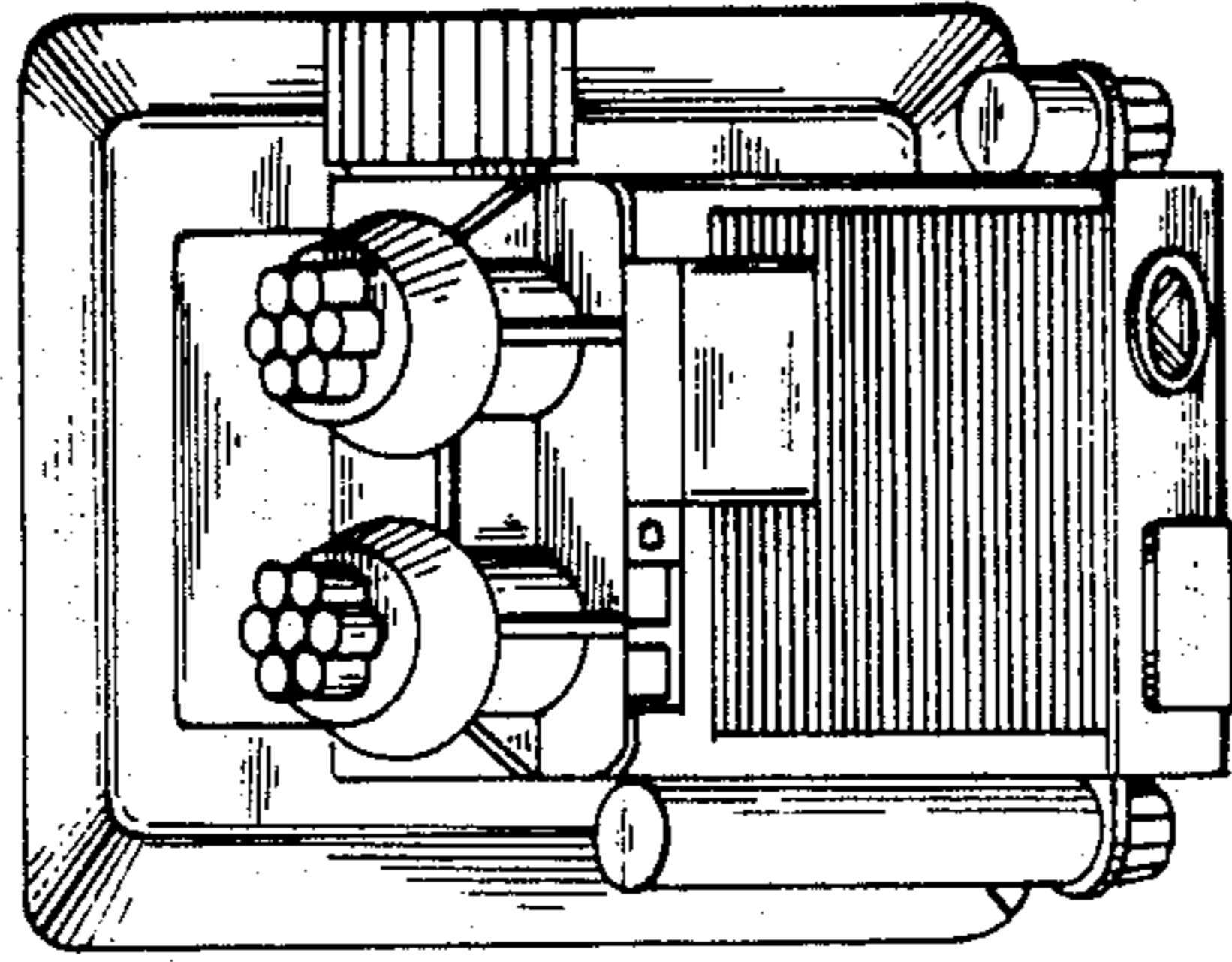


FIG. 7

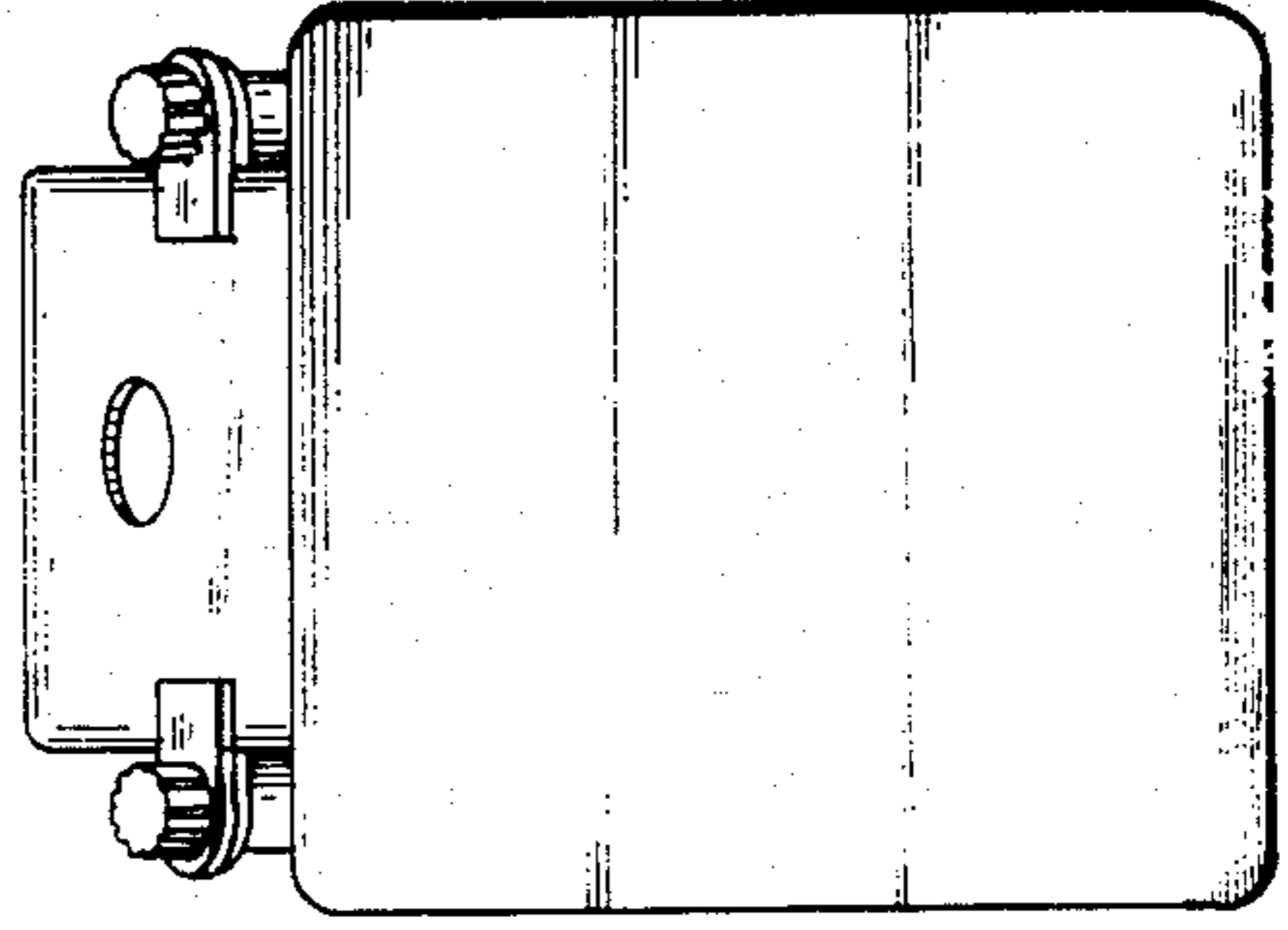


FIG. 5

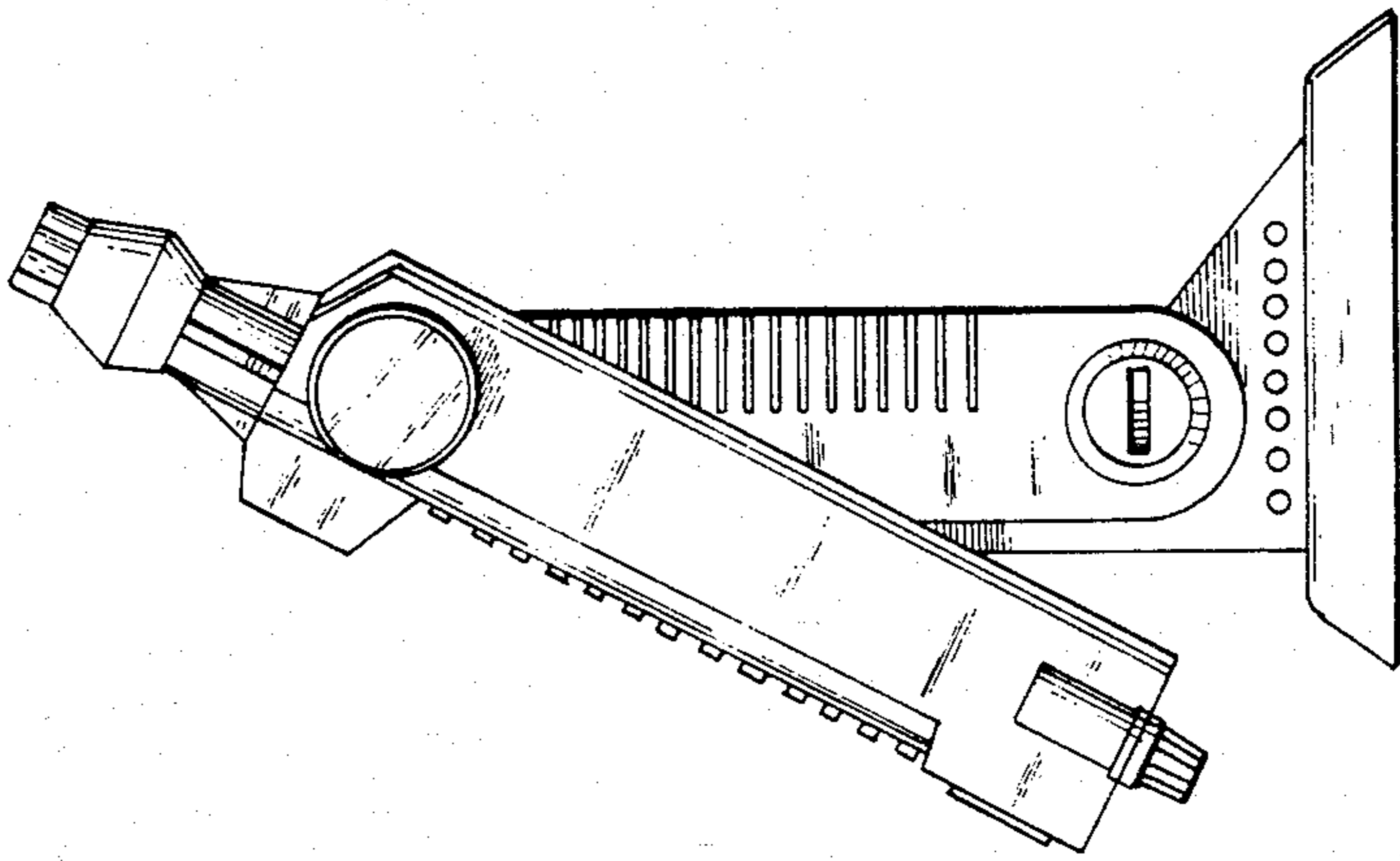


FIG. 4

