

[54] THERMOPLASTIC MATERIAL EXTRUDER

[75] Inventor: Dario J. Ramazzotti, Sandy Springs, Ga.

[73] Assignee: Nordson Corporation, Amherst, Ohio

[**] Term: 14 Years

[21] Appl. No.: 468,738

[22] Filed: Feb. 22, 1983

[52] U.S. Cl. D15/145

[58] Field of Search D15/135; 425/381.2, 425/DIG. 243

[56] References Cited

U.S. PATENT DOCUMENTS

- D. 193,310 7/1962 Jacobs D15/135
- D. 198,101 4/1962 Looser D15/135
- D. 266,327 9/1982 Haight D15/135

OTHER PUBLICATIONS

Industrial Equipment News; 9/1981; p. 46; plastic extruder.

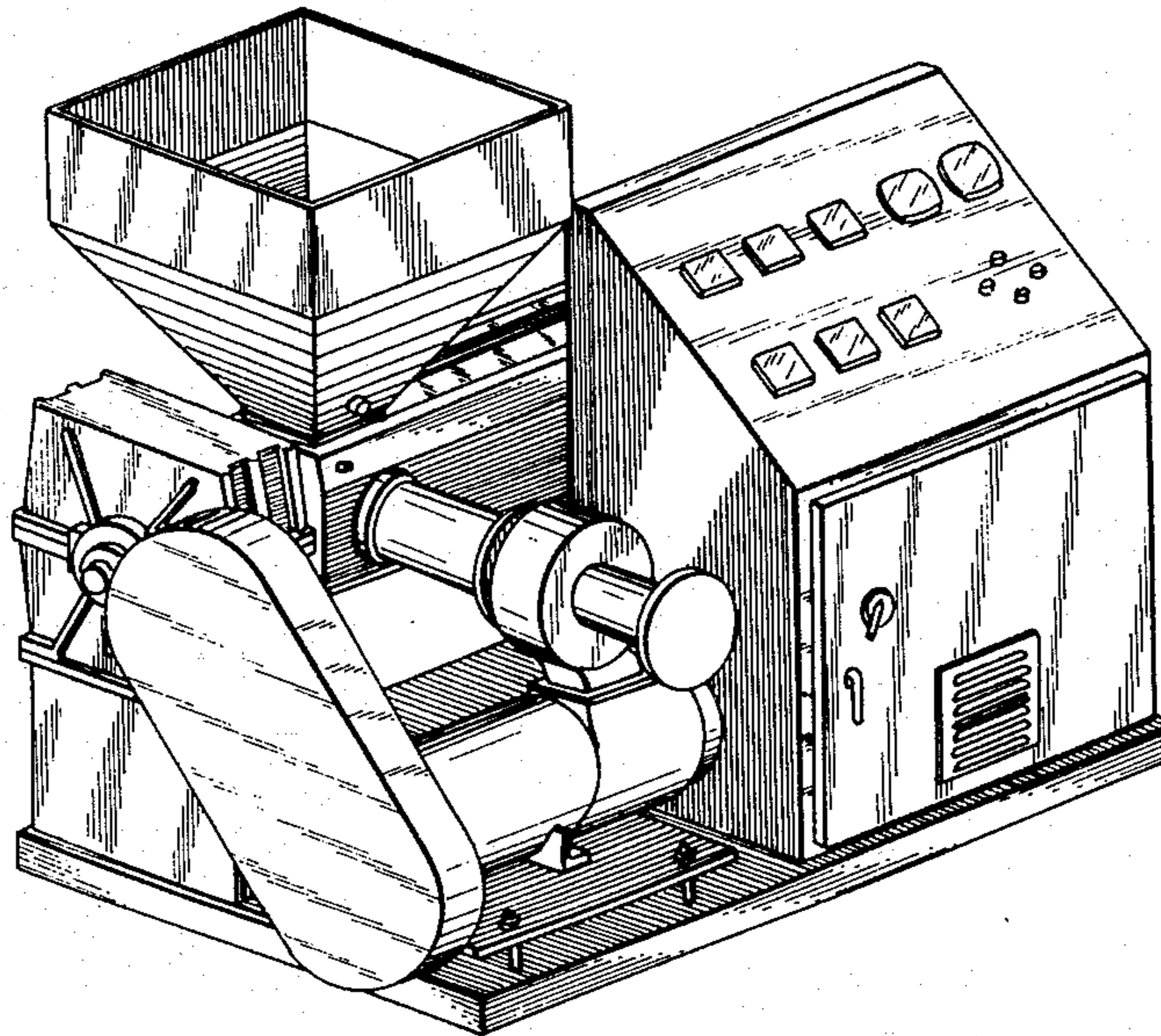
Primary Examiner—B. J. Bullock
Attorney, Agent, or Firm—Wood, Herron & Evans

[57] CLAIM

The ornamental design for a thermoplastic material extruder, as shown and described.

DESCRIPTION

FIG. 1 is a front perspective view of a thermoplastic material extruder showing my new design;
 FIG. 2 is a rear elevational view thereof;
 FIG. 3 is a front elevational view thereof;
 FIG. 4 is a side elevational view taken from the left of FIG. 1;
 FIG. 5 is a side elevational view taken from the right of FIG. 1;
 FIG. 6 is a top plan view thereof;
 FIG. 7 is a bottom plan view thereof.



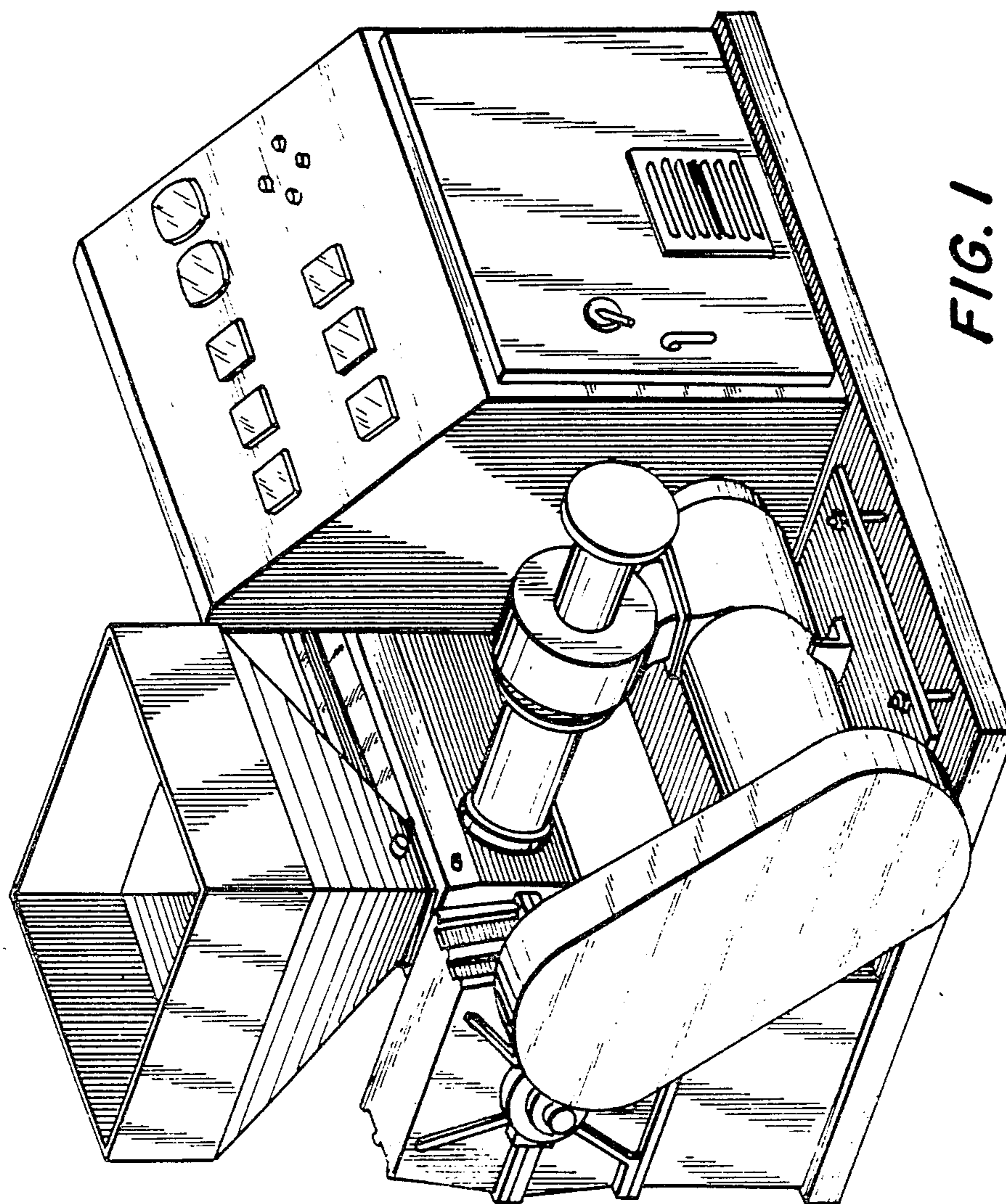


FIG. 1

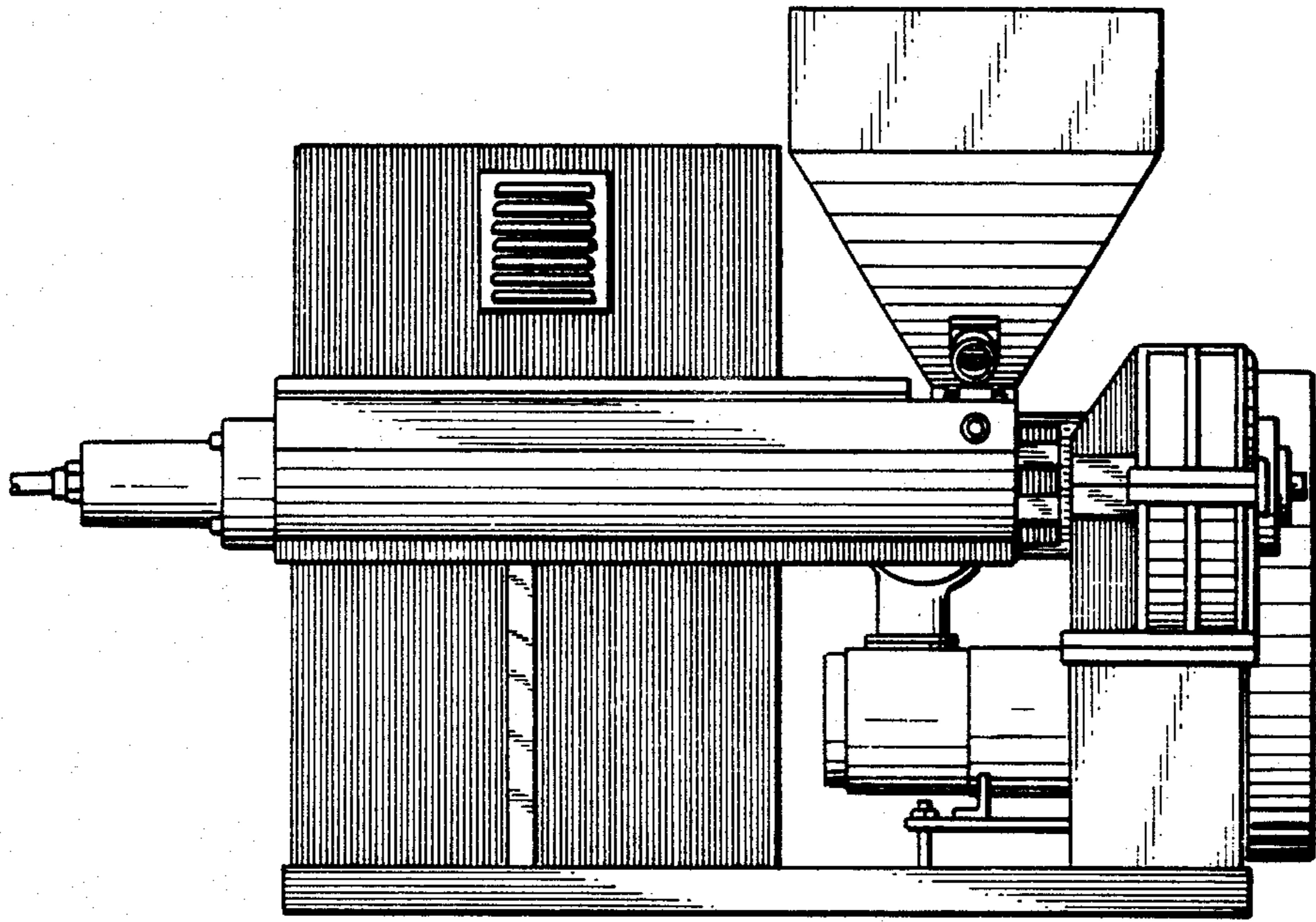


FIG. 2

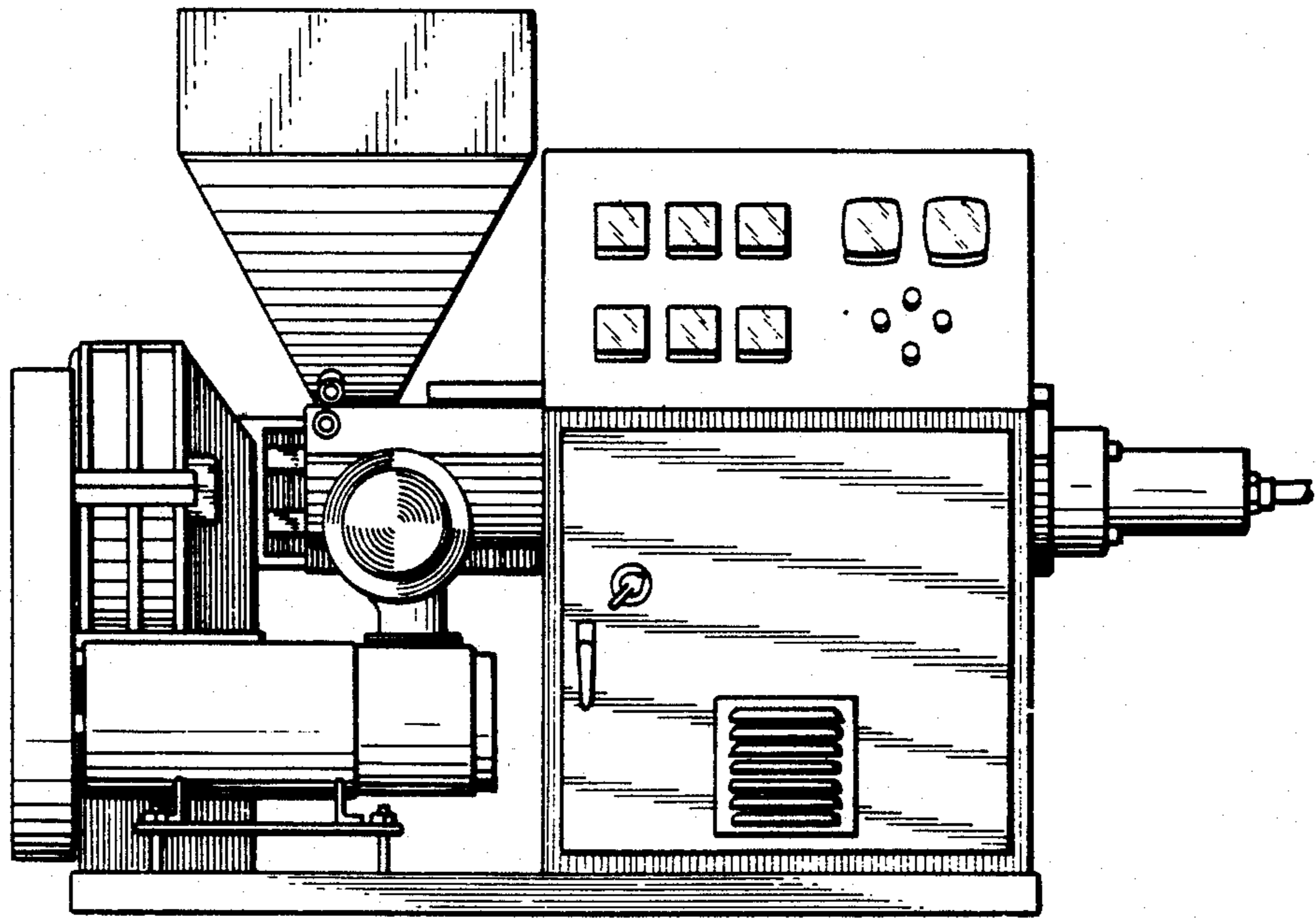


FIG. 3

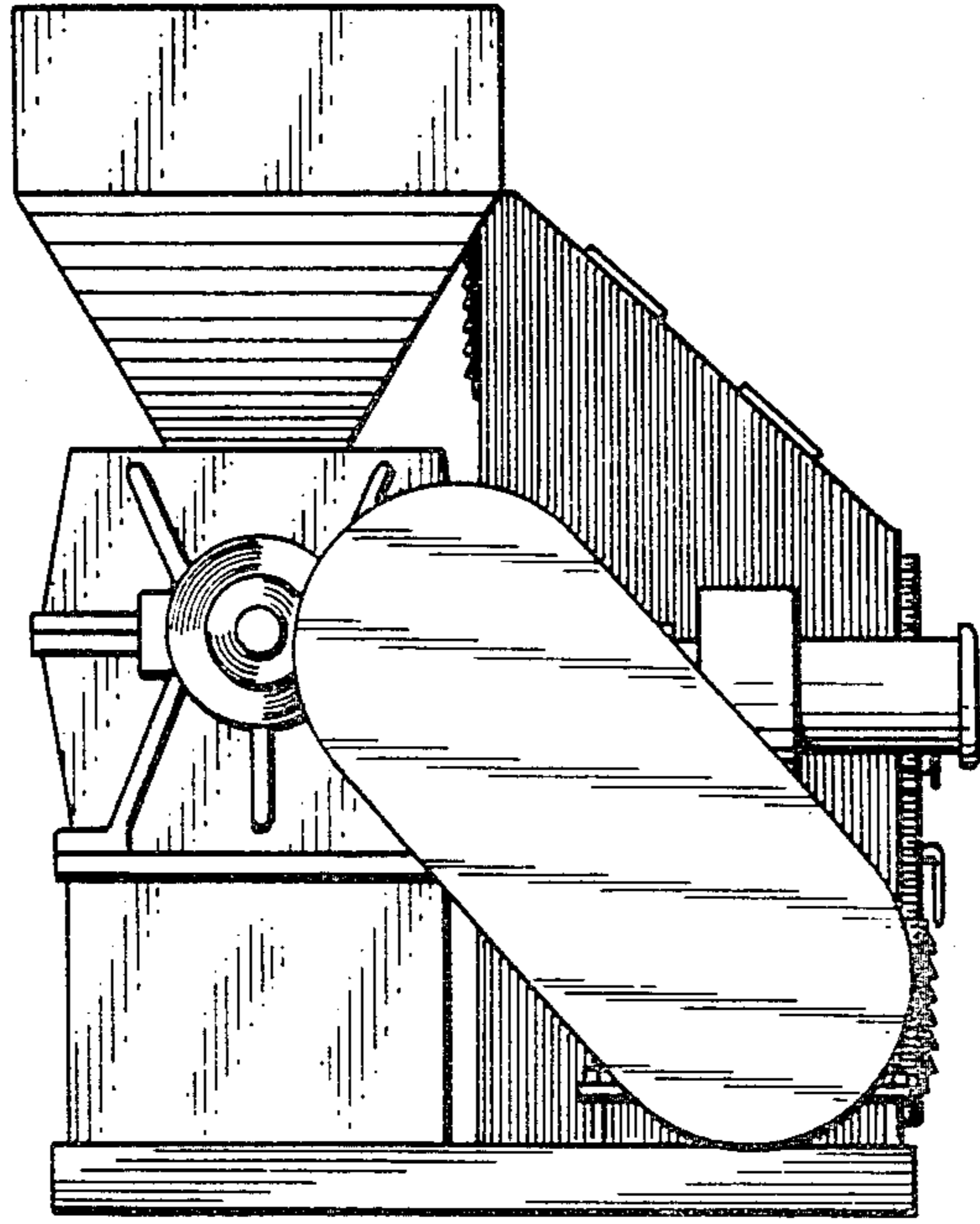


FIG. 4

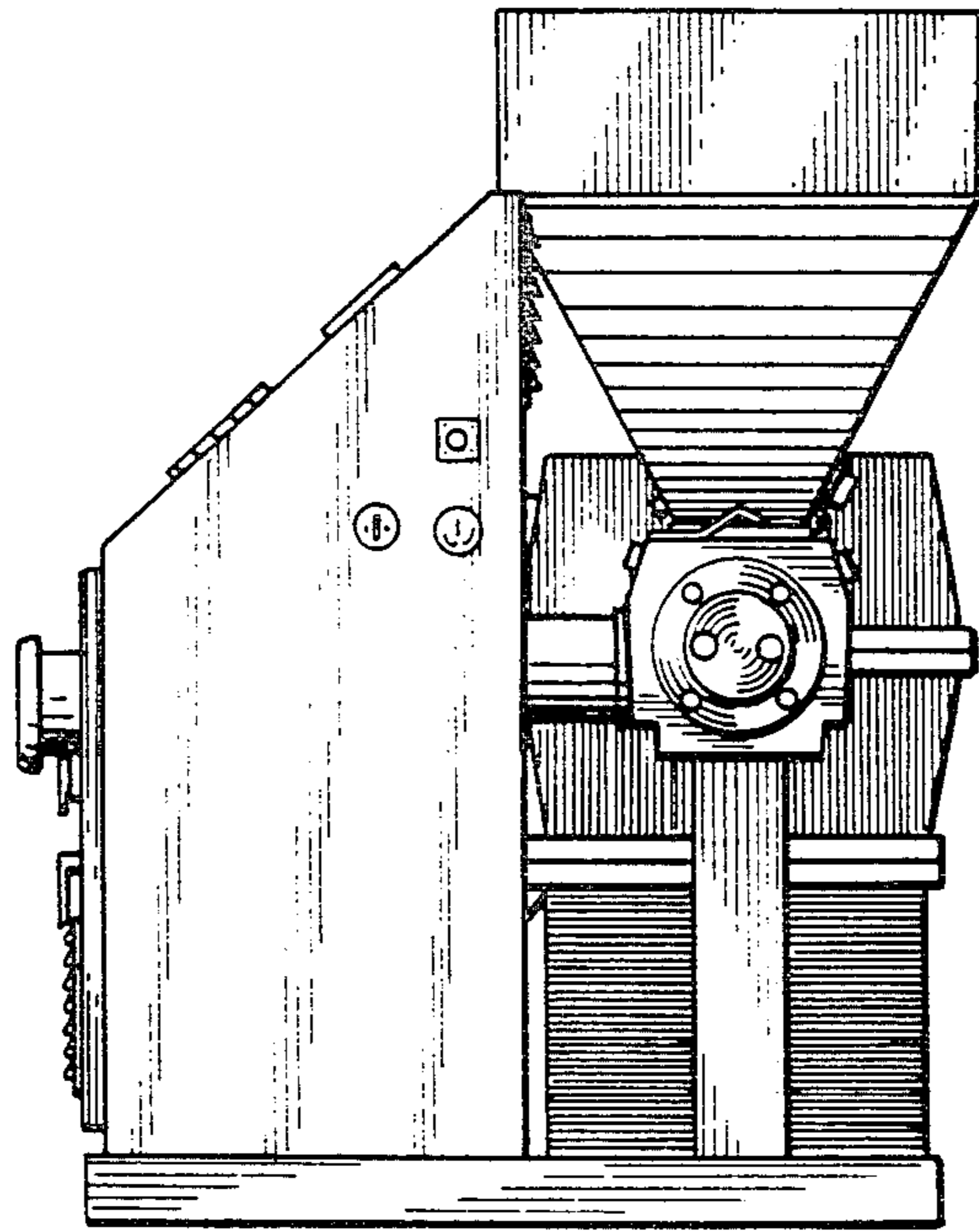


FIG. 5

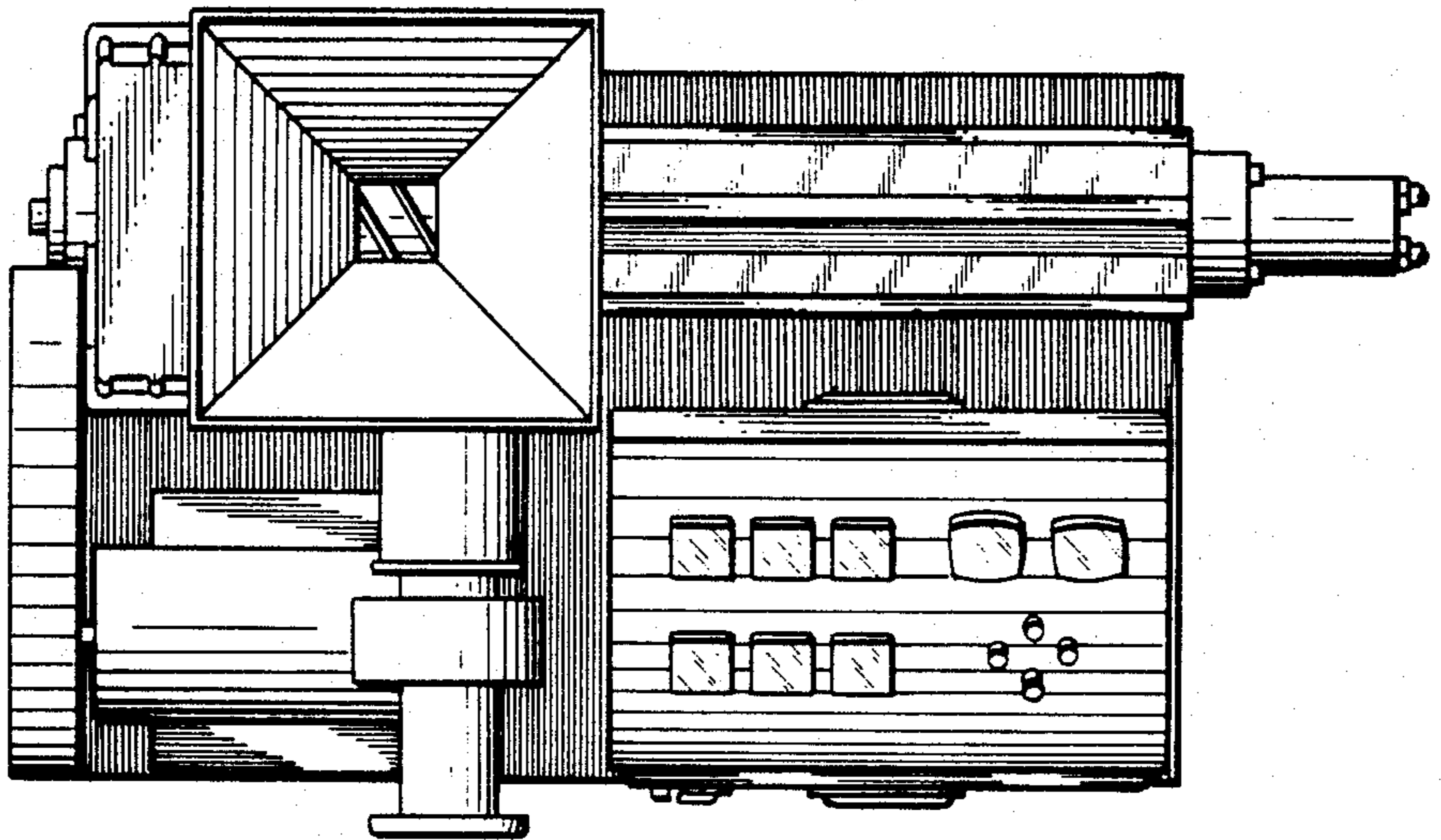


FIG. 6

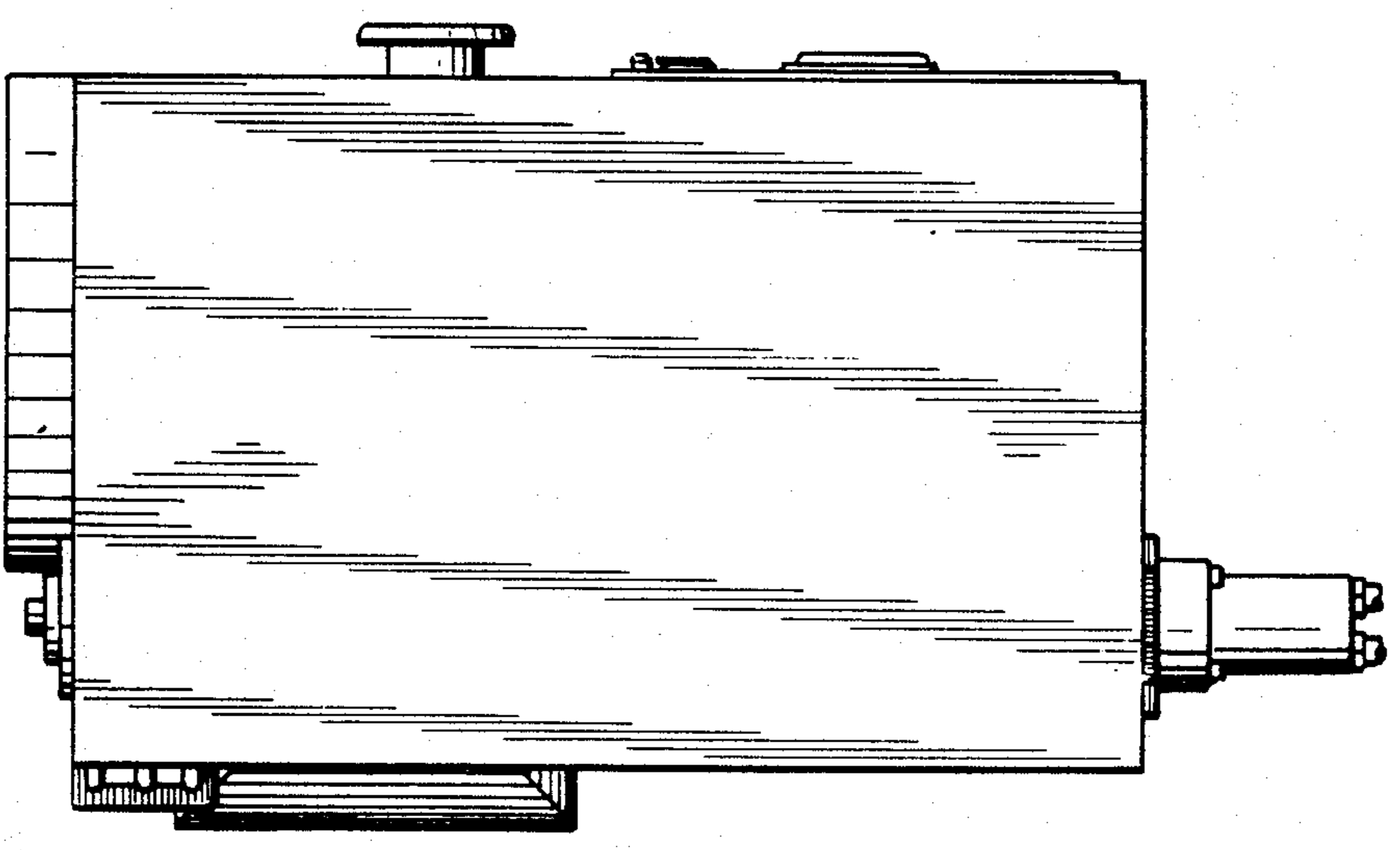


FIG. 7