

[54] HOUSING FOR COMPUTER MODULE

3,001,102 9/1961 Stiefel et al. 361/390 X
3,925,710 12/1975 Ebert 361/383

[75] Inventors: Richard E. Carlson, New Hope, Minn.; Michael E. McCadden, Centuria, Wis.

Primary Examiner—Susan J. Lucas
Attorney, Agent, or Firm—Haverstock, Garrett & Roberts

[73] Assignee: Zycad Corporation, Arden Hills, Minn.

[57] CLAIM

[**] Term: 14 Years

The ornamental design for a housing for computer module, as shown and described.

[21] Appl. No.: 466,307

DESCRIPTION

[22] Filed: Feb. 14, 1983

[52] U.S. Cl. D14/114; D13/40; D14/100

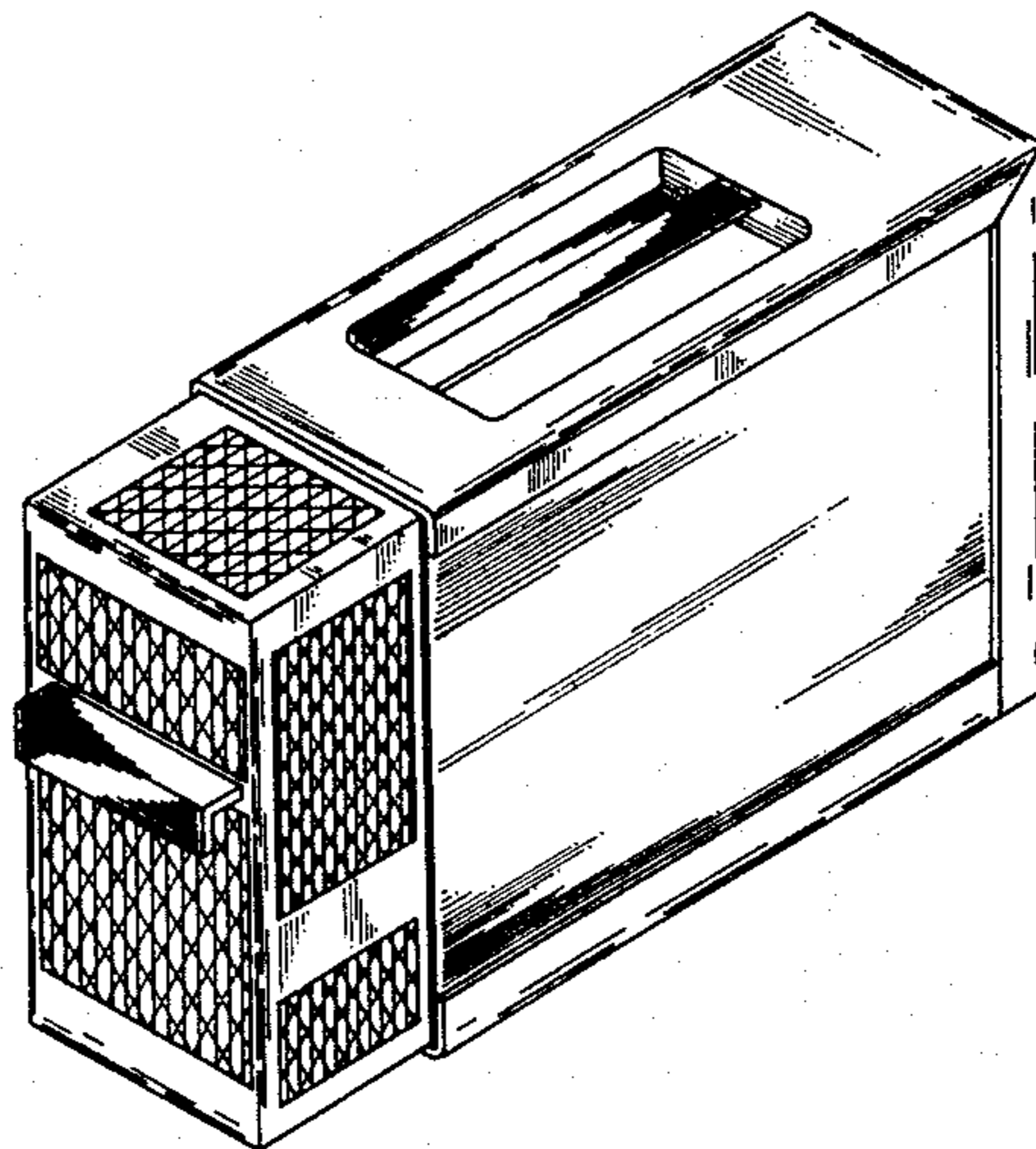
[58] Field of Search D14/100-117; D13/12, 40, 41; 361/331, 332, 334, 346-348, 379-384, 390, 391, 392

FIG. 1 is a perspective view of a housing for computer module showing our new design;
FIG. 2 is a top plan view thereof;
FIG. 3 is a right side elevational view thereof;
FIG. 4 is a bottom plan view thereof;
FIG. 5 is a left side elevational view thereof;
FIG. 6 is a front elevational view thereof;
FIG. 7 is a rear elevational view thereof;
FIG. 8 is an enlarged partial view of the mesh pattern shown on the top, front, sides and bottom of the module, the mesh being indicated in the other figures by cross-hatching for convenience of illustration.

[56] References Cited

U.S. PATENT DOCUMENTS

D. 224,020 6/1972 Minka et al. D14/100
D. 245,004 7/1977 Fox et al. D14/100



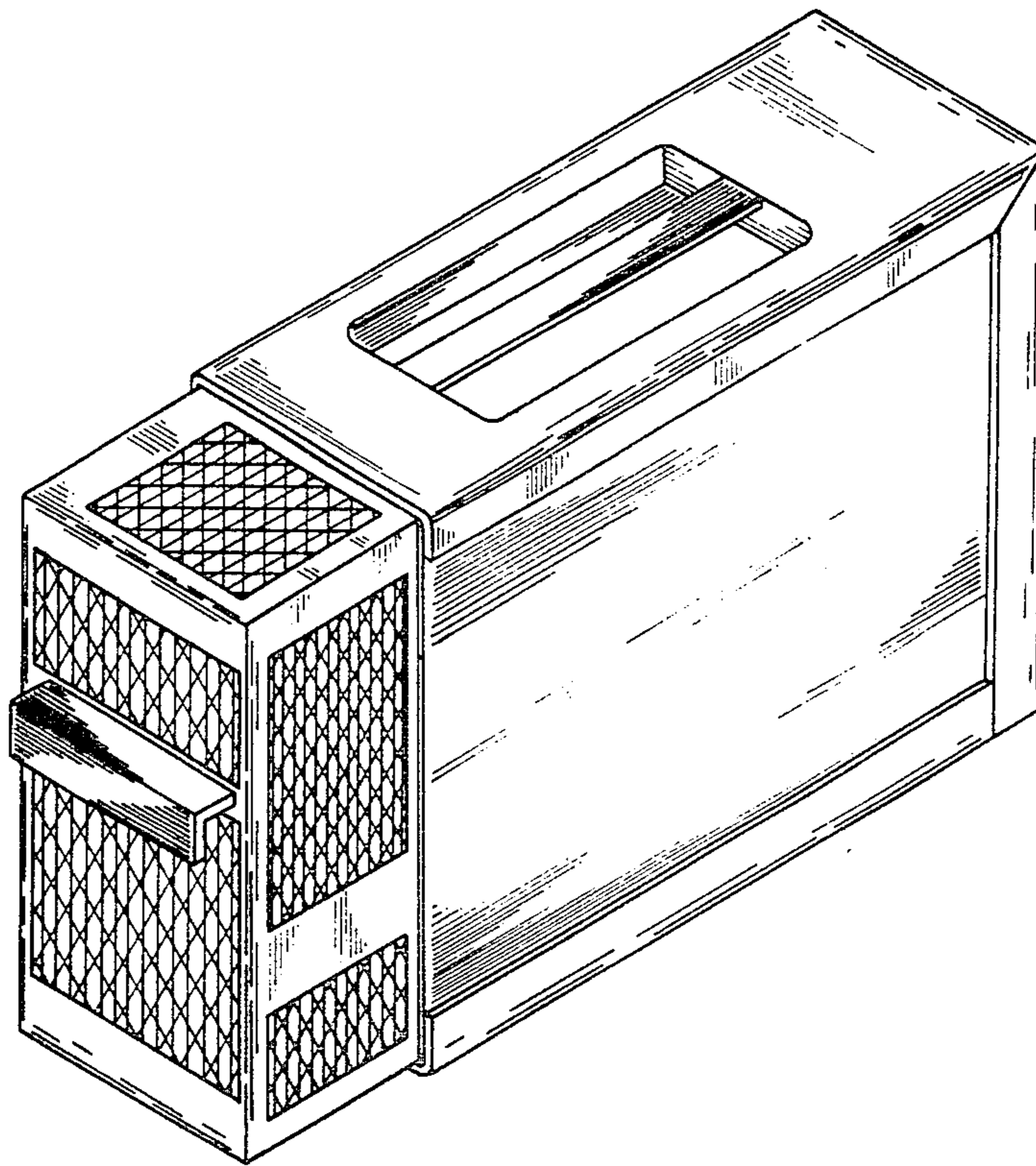


FIG. 1

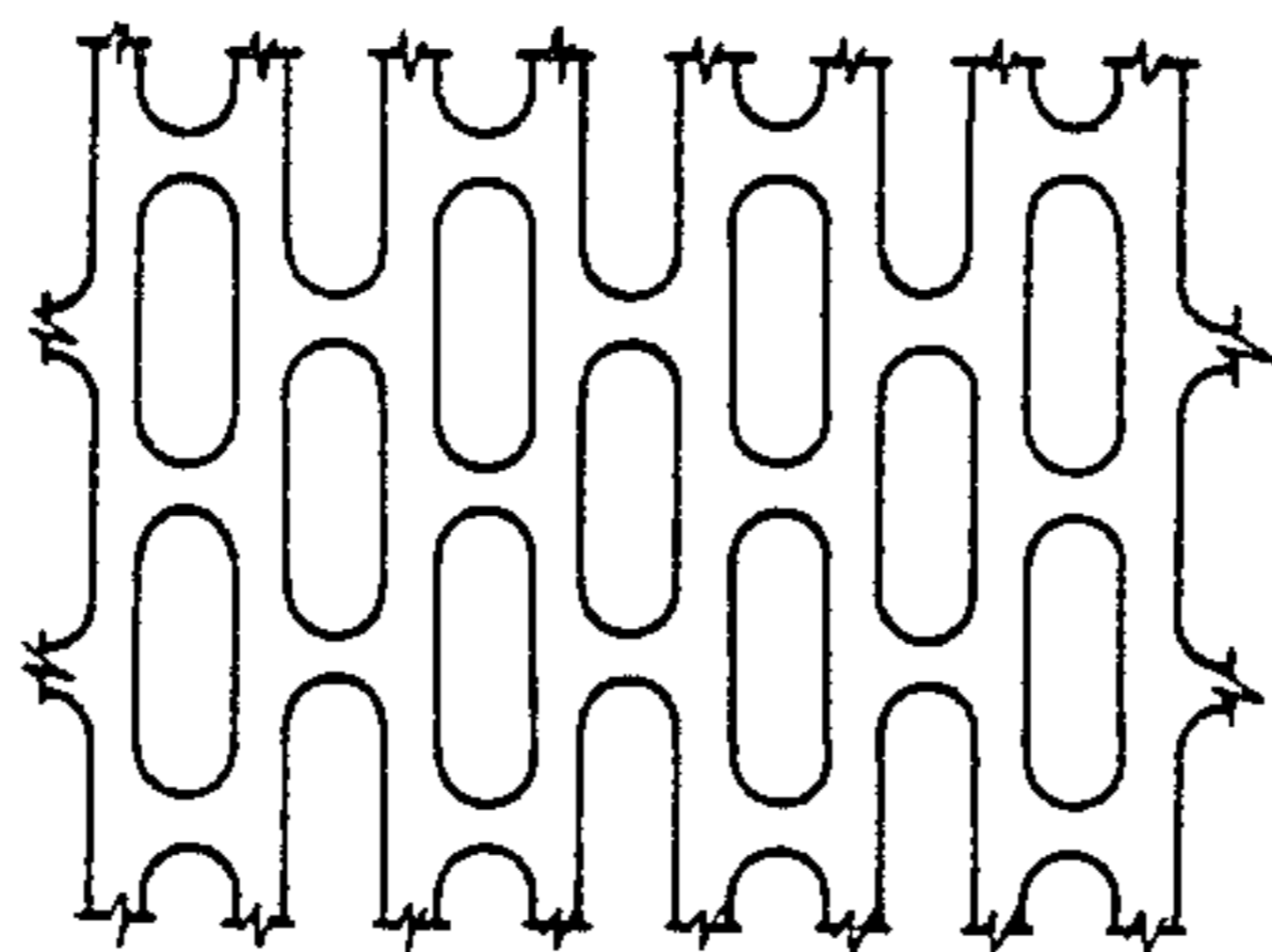


FIG. 8

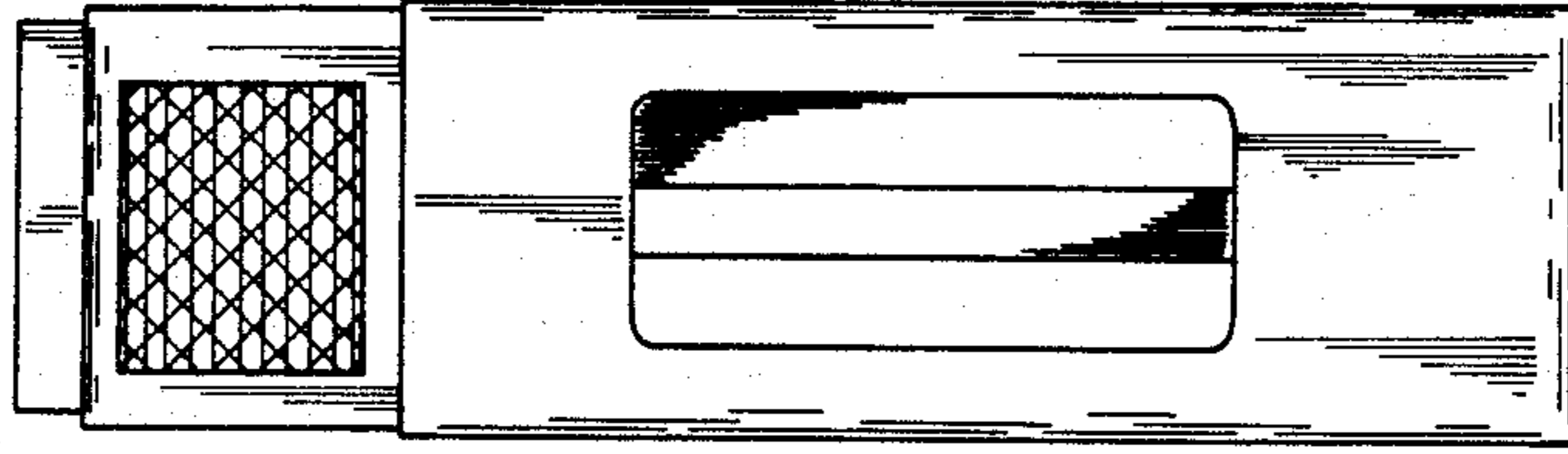


FIG. 2

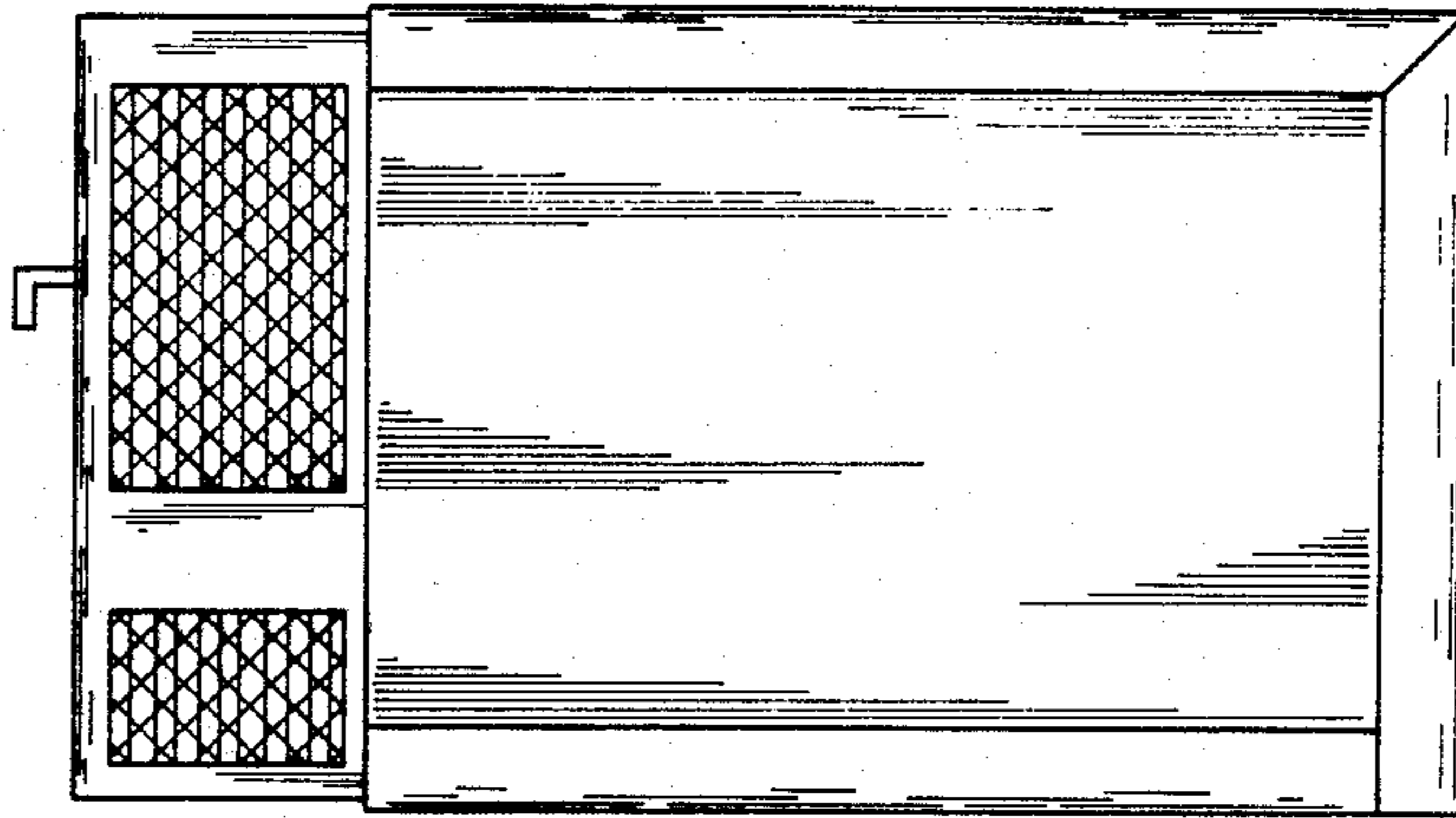


FIG. 3

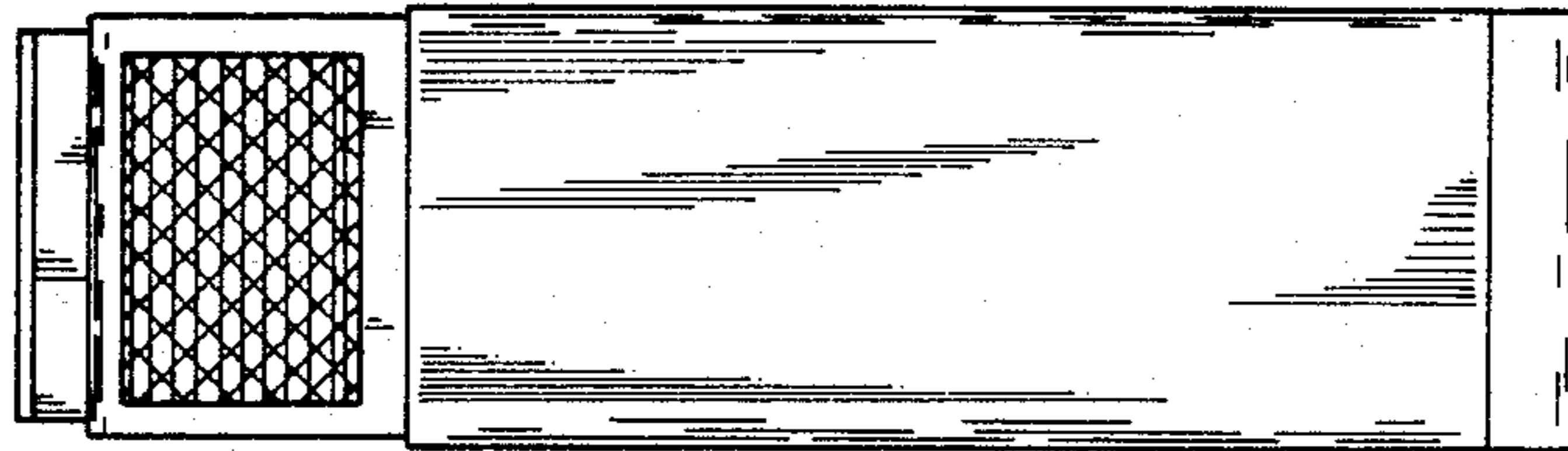


FIG. 4

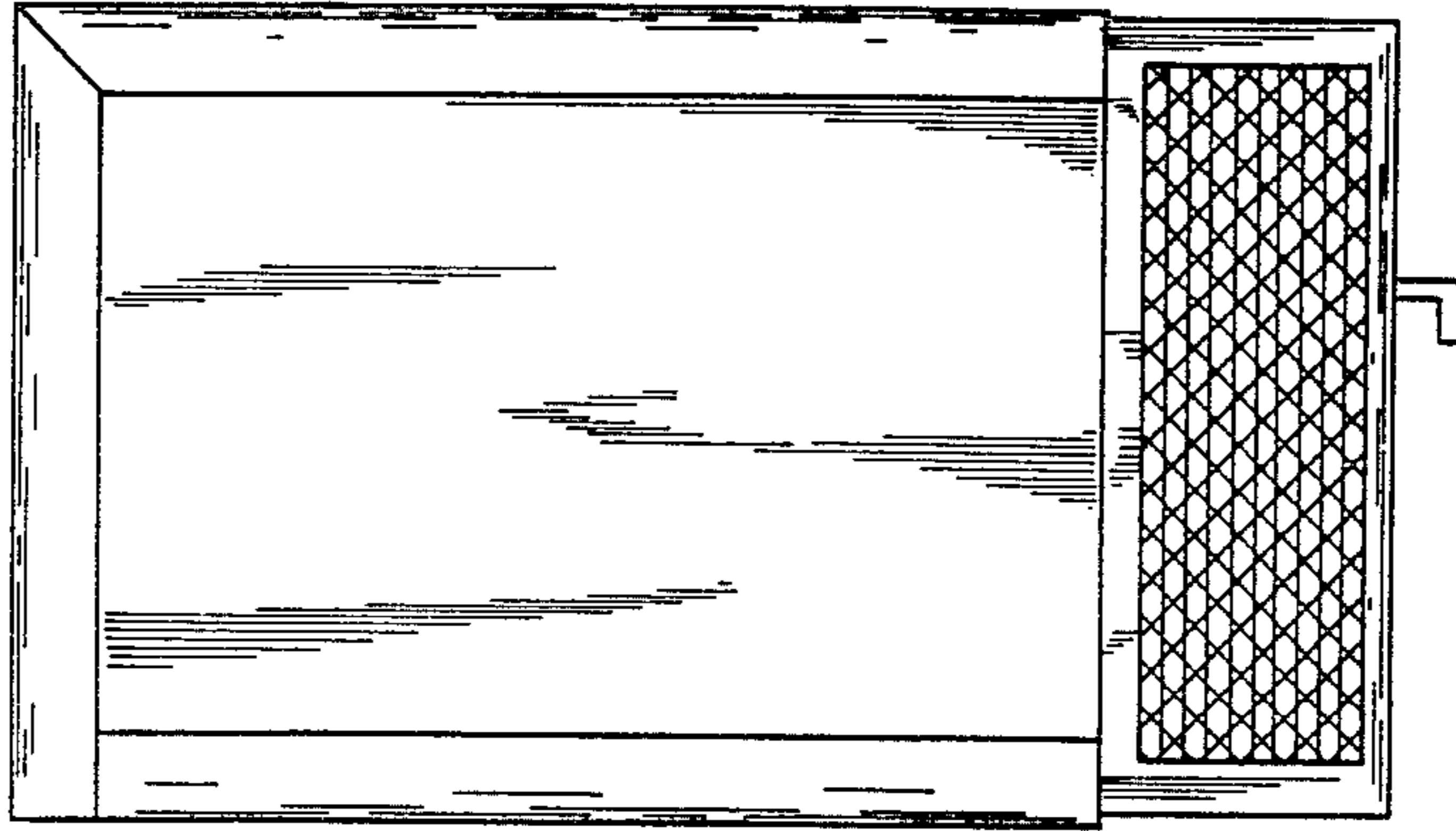


FIG. 5

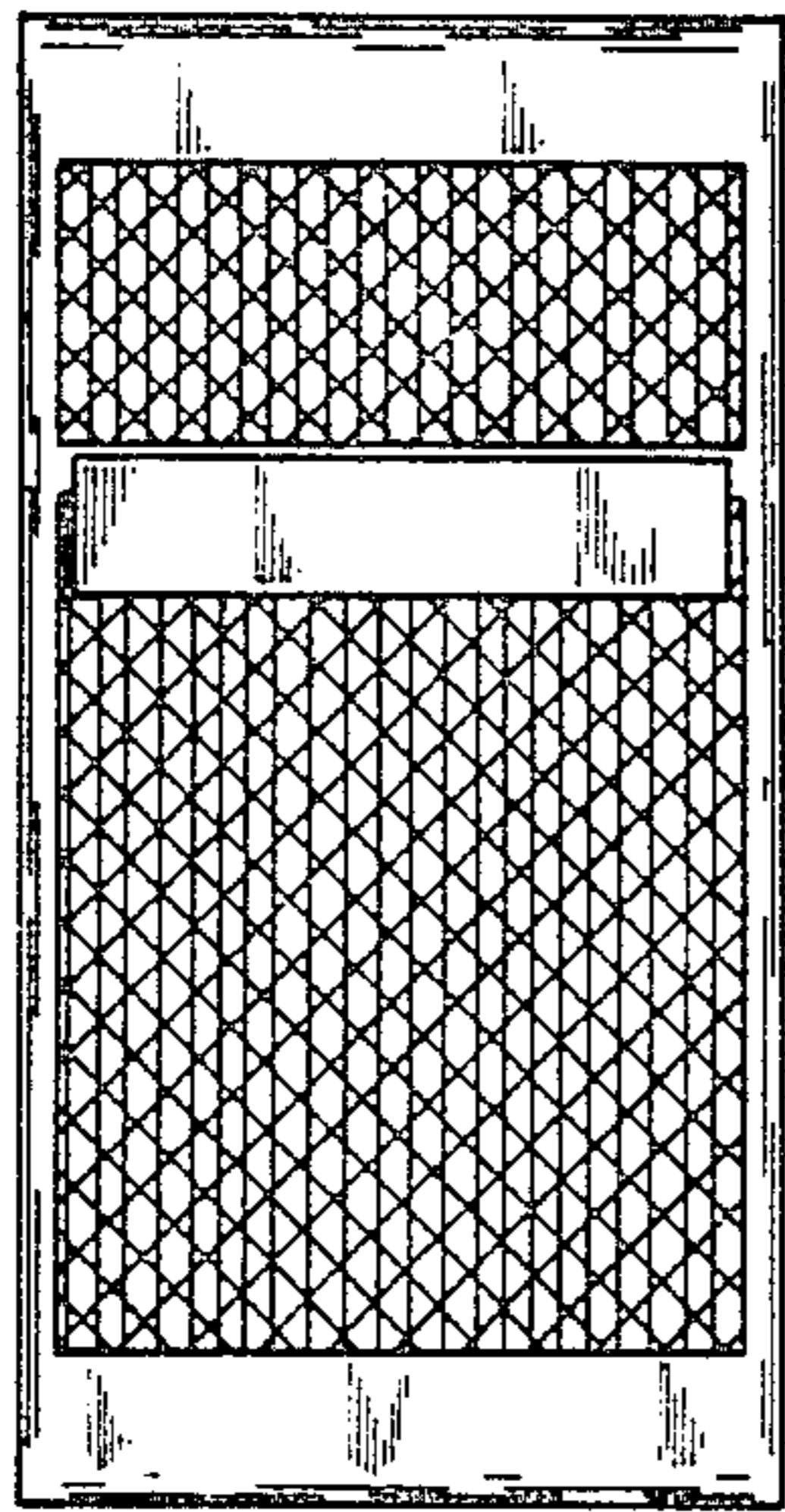


FIG. 6

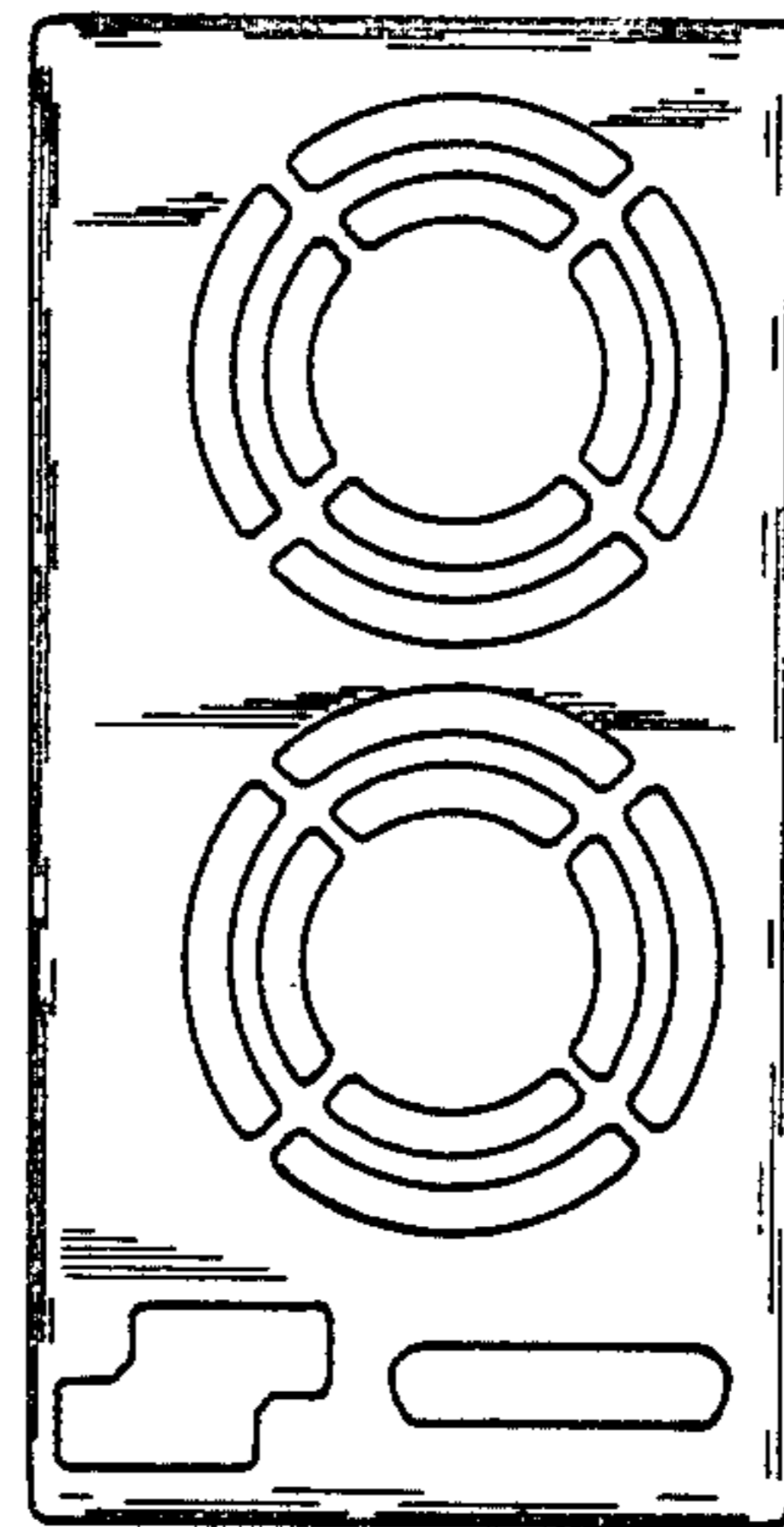


FIG. 7