

[54] PROGRAMMABLE LIMIT SWITCH UNIT

[75] Inventors: Peter G. Serev, Woodbury; Roger M. Bogin, Washington Depot, both of Conn.

[73] Assignee: C & A Products, Inc., Washington Depot, Conn.

[\*\*] Term: 14 Years

[21] Appl. No.: 440,284

[22] Filed: Nov. 9, 1982

[52] U.S. Cl. .... D13/35

[58] Field of Search ..... D13/32, 12, 35, 38, D13/40, 41; 361/331, 2, 4, 358, 9, 380, 390-394; 200/5 R

[56] References Cited

U.S. PATENT DOCUMENTS

- D. 249,943 10/1978 Bartlett ..... D13/32
- D. 275,105 8/1984 Kuschewski ..... D13/40
- D. 275,851 10/1984 Bambeck ..... D13/35
- D. 276,334 11/1984 Dickerson ..... D13/35

OTHER PUBLICATIONS

Rotary Limit Switch Advertisement/Encoder Division Brochure, 1973.

Primary Examiner—Wallace R. Burke

Assistant Examiner—Lynn Wilder

Attorney, Agent, or Firm—Cooper, Dunham, Clark, Griffin & Moran

[57] CLAIM

The ornamental design for a programmable limit switch unit, as shown and described.

DESCRIPTION

FIG. 1 is a perspective view of a programmable limit switch system embodying the new design.

FIG. 2 is a rear elevational view of the programmable controller thereof.

FIG. 3 is a bottom plan view thereof.

FIG. 4 is a left side elevational view thereof.

FIG. 5 is a right side elevational view thereof.

FIG. 6 is a bottom plan view of the component shown in perspective view at the left side of FIG. 1.

FIG. 7 is a back elevational view of the component.

FIG. 8 is a front elevational view of the component.

The broken line disclosure shown in FIG. 1 is for illustrative purposes only and forms no part of the claimed design. The two components of the unit are shown separately in FIGS. 2 and 8 for clarity of illustration only.

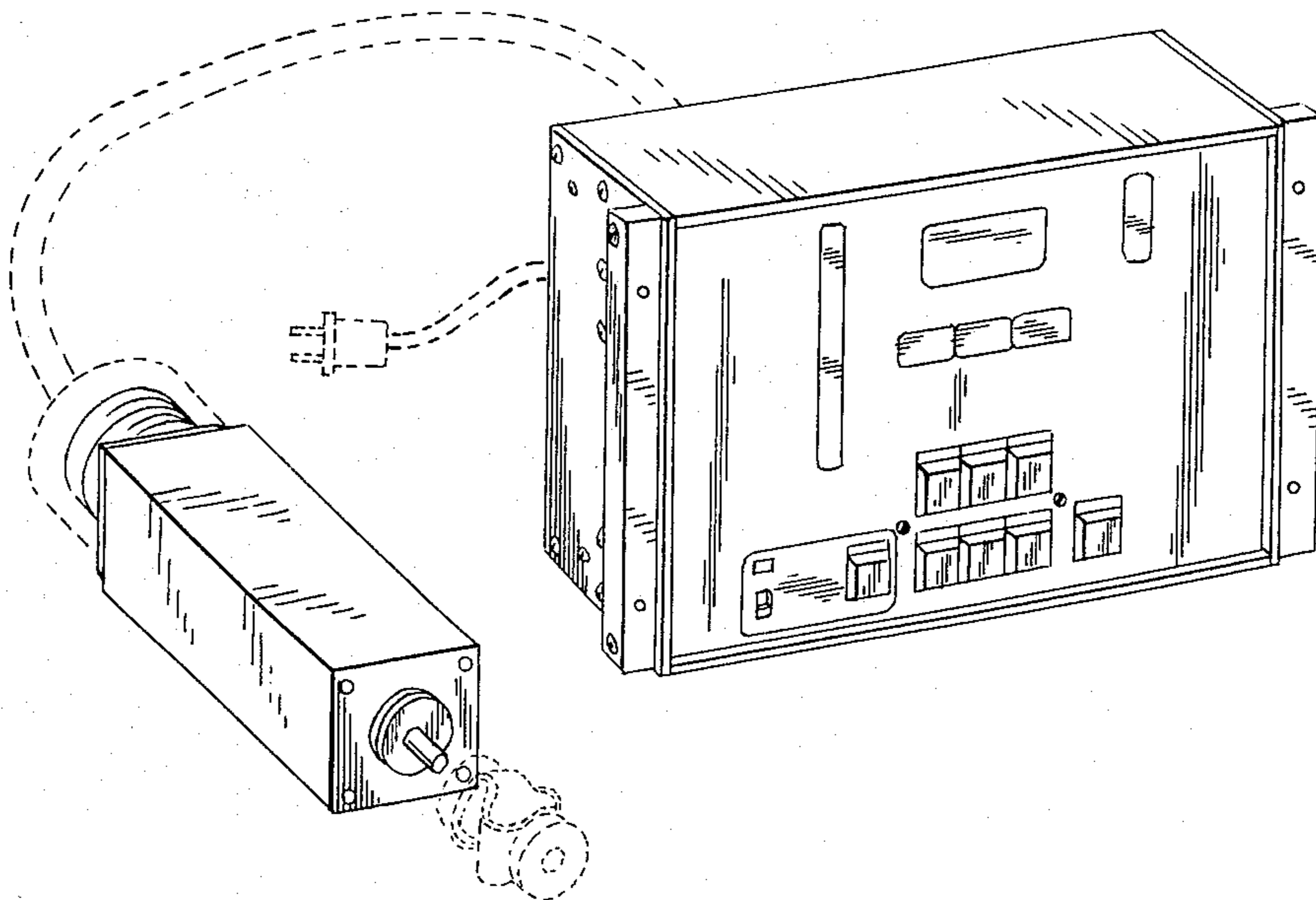


Fig. 1.

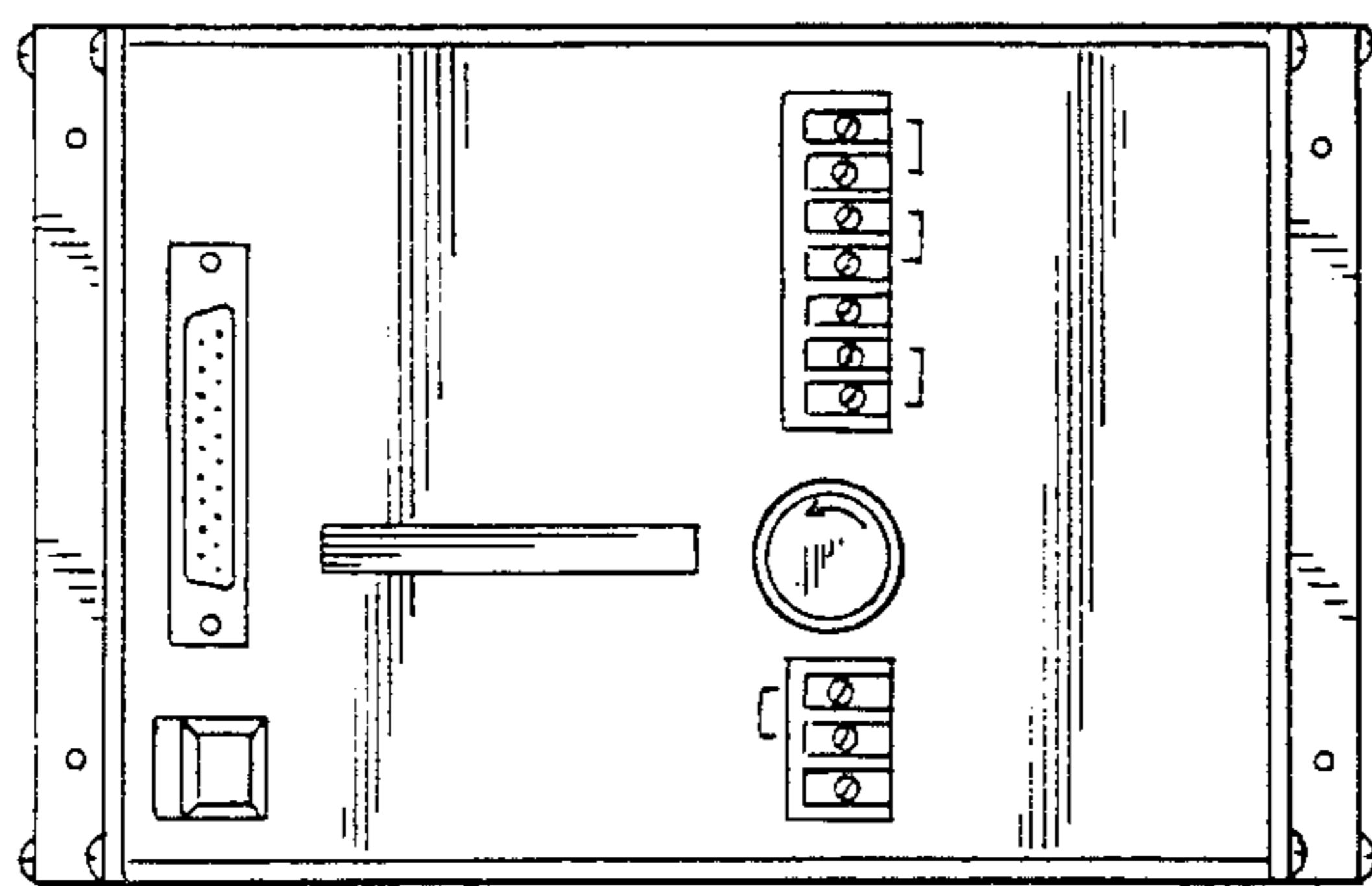
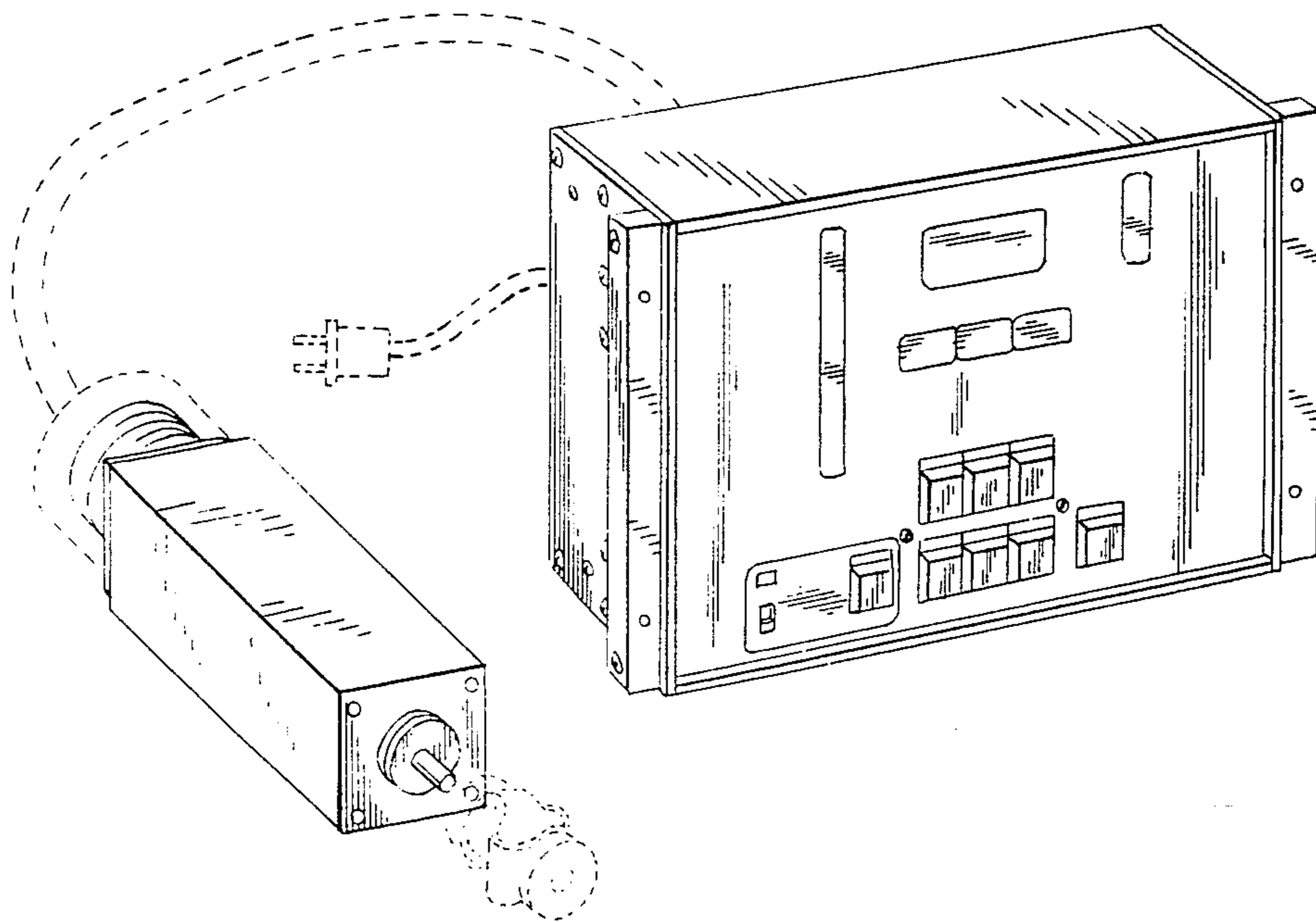


Fig. 2.

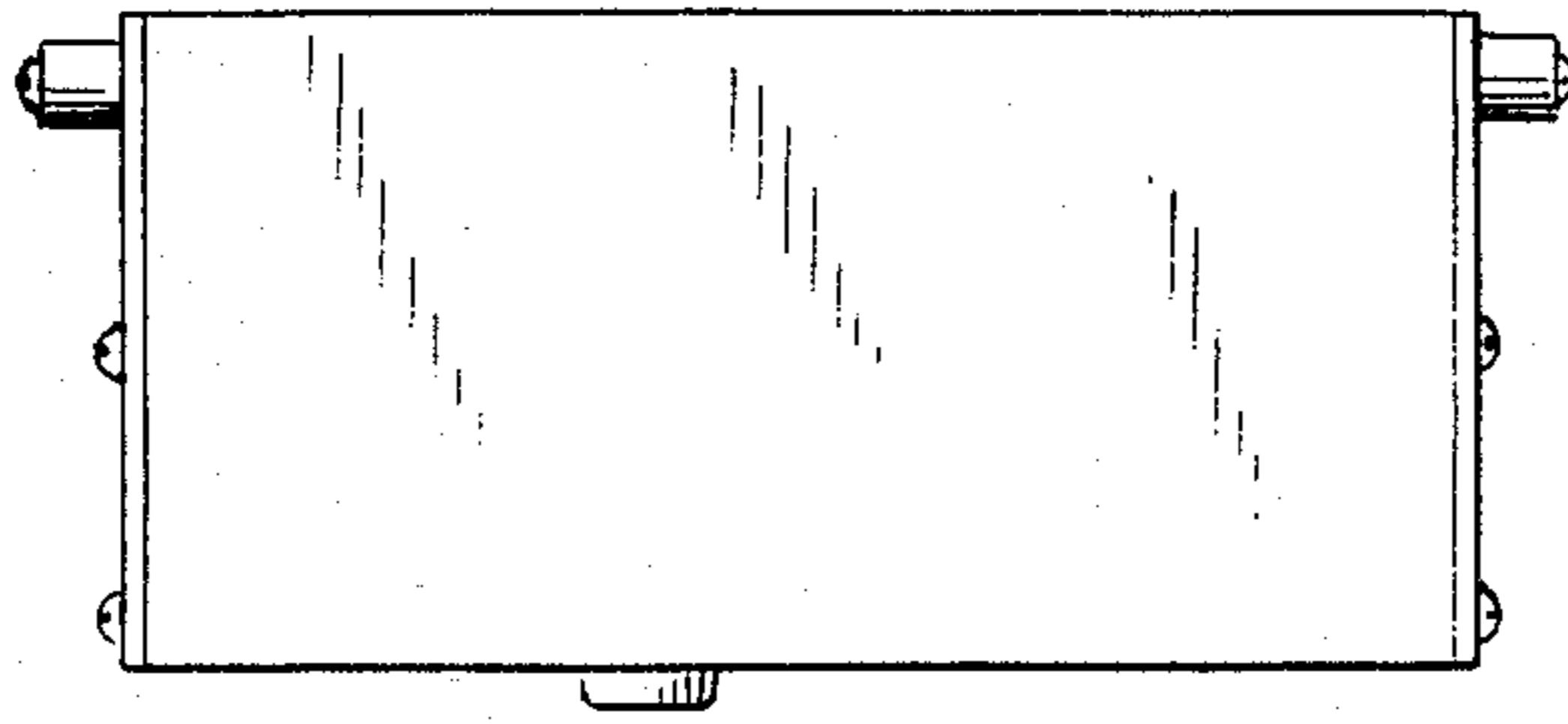


Fig. 3.

Fig. 4.

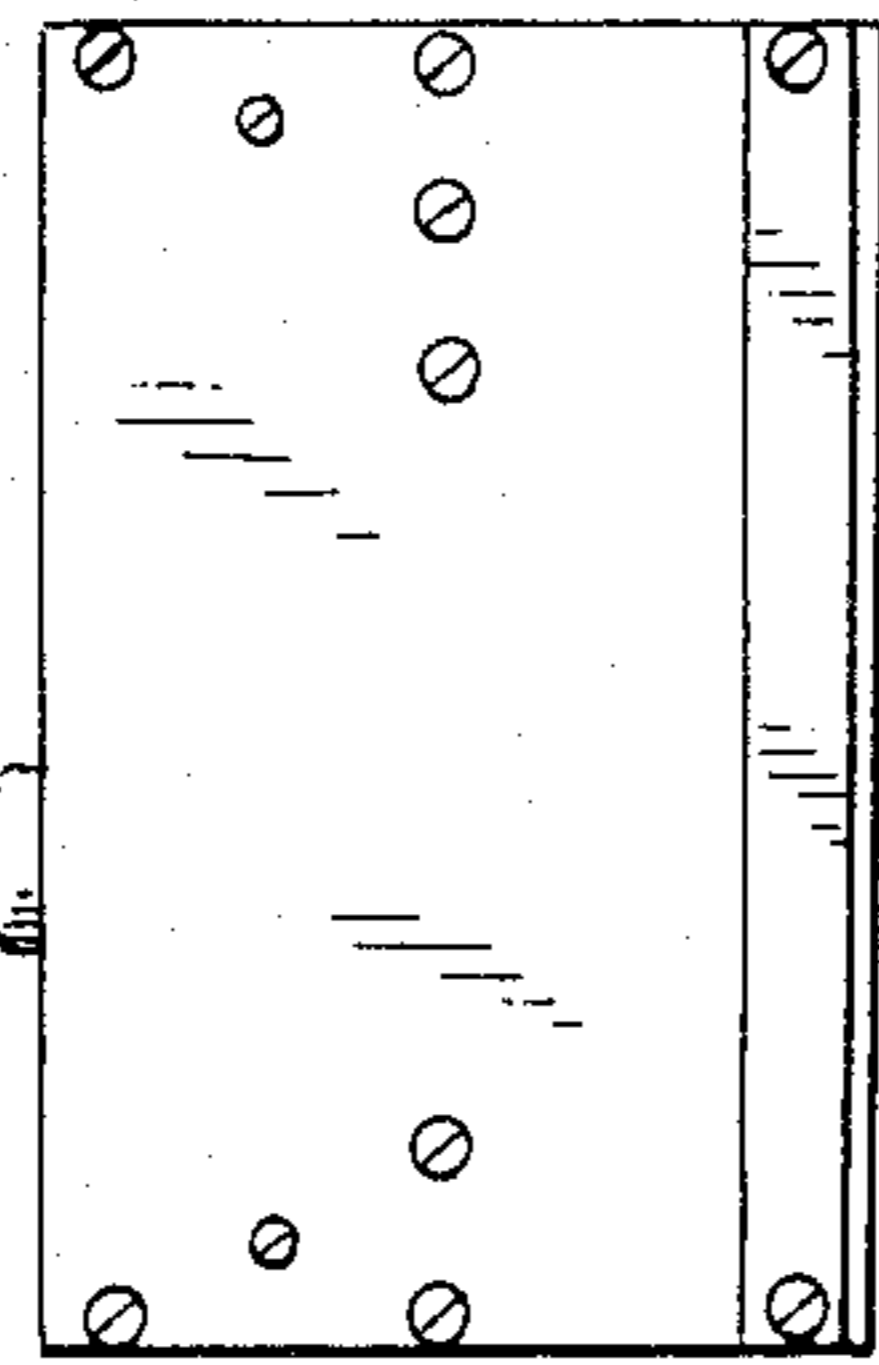


Fig. 5.

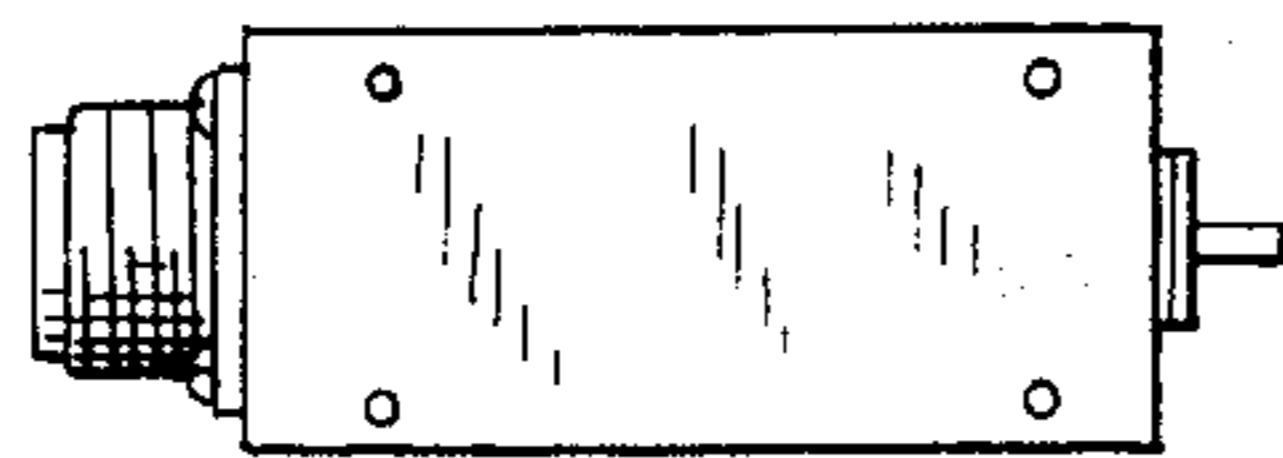
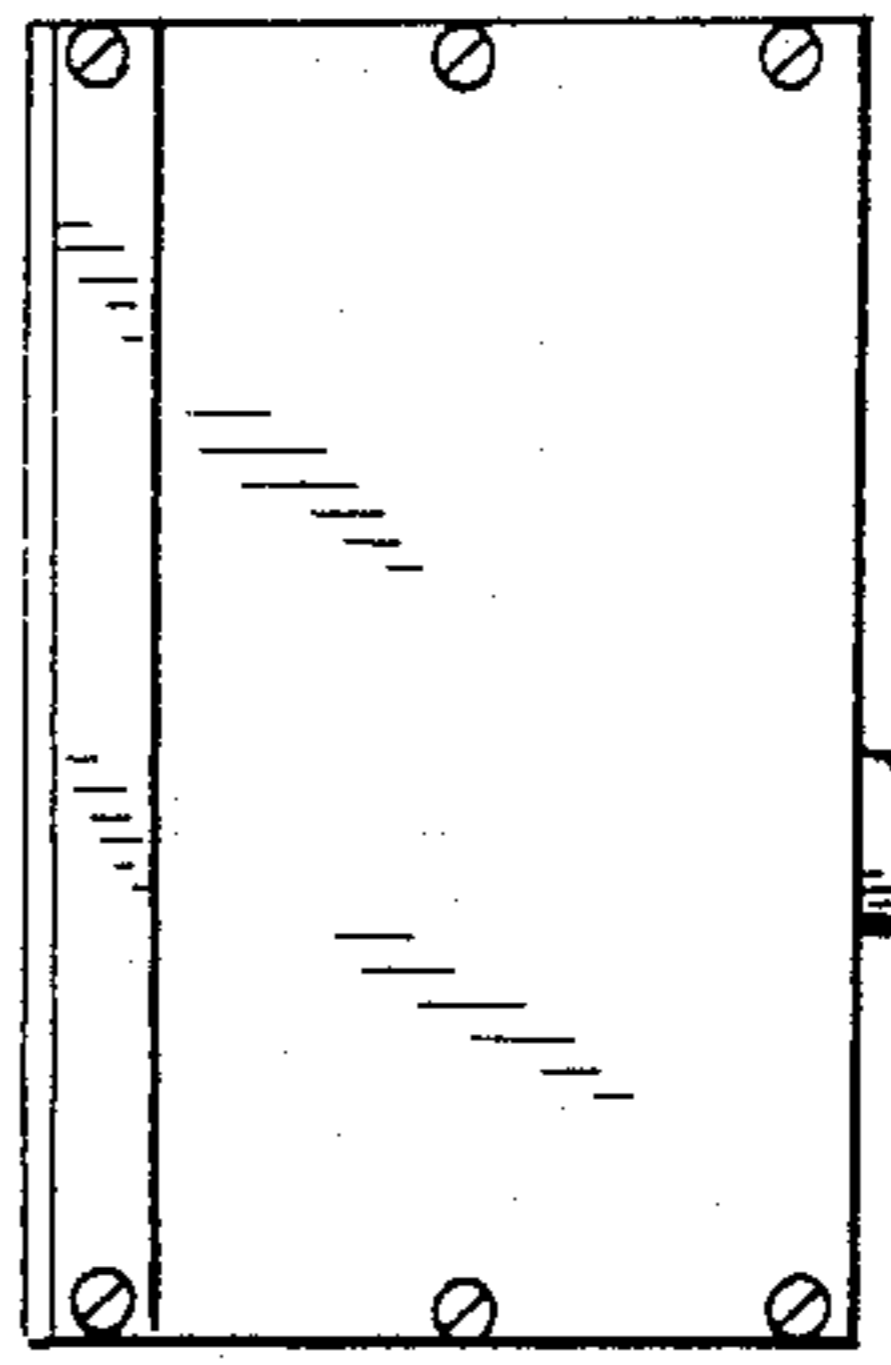


Fig. 6.

Fig. 7.

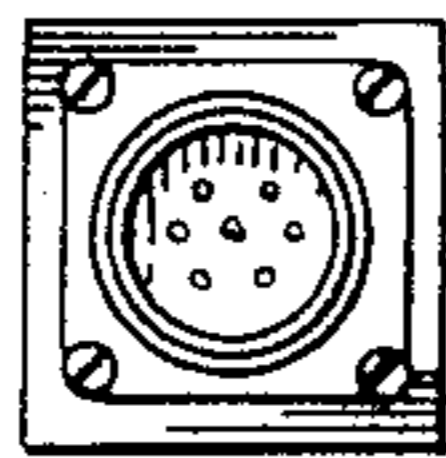


Fig. 8.

