

[54] **LIQUID CONTAINER**

[75] **Inventor: Carl V. Santoiemmo, Gates Mills, Ohio**

[73] **Assignee: Norcarl Products, Inc., Gates Mills, Ohio**

[\*\*] **Term: 14 Years**

[21] **Appl. No.: 520,121**

[22] **Filed: Aug. 3, 1983**

[52] **U.S. Cl. .... D9/367; D9/370**

[58] **Field of Search ..... D9/337, 370, 375, 367, D9/403, 413; D23/2; 215/1 R, 1 C**

[56] **References Cited**

**U.S. PATENT DOCUMENTS**

- D. 202,660 10/1965 Dike ..... D9/370
- D. 214,975 8/1969 Amand ..... D9/370 X
- D. 225,511 12/1972 Brown ..... D23/2 X

- D. 229,612 12/1973 German ..... D23/2 X
- D. 270,856 10/1983 Peets et al. .... D23/2

*Primary Examiner*—Robert C. Spangler  
*Attorney, Agent, or Firm*—Pearne, Gordon, Sessions, McCoy, Granger & Tilberry

[57] **CLAIM**

The ornamental design for a liquid container, as shown and described.

**DESCRIPTION**

FIG. 1 is a front elevational view of a liquid container showing my new design;  
 FIG. 2 is a bottom plan view;  
 FIG. 3 is a sectional view taken on the line 3-3 of FIG. 1;  
 FIG. 4 is a rear perspective view;  
 FIG. 5 is a top plan view;  
 FIG. 6 is a rear elevational view; and  
 FIG. 7 is an elevational view looking from the left of FIG. 1.

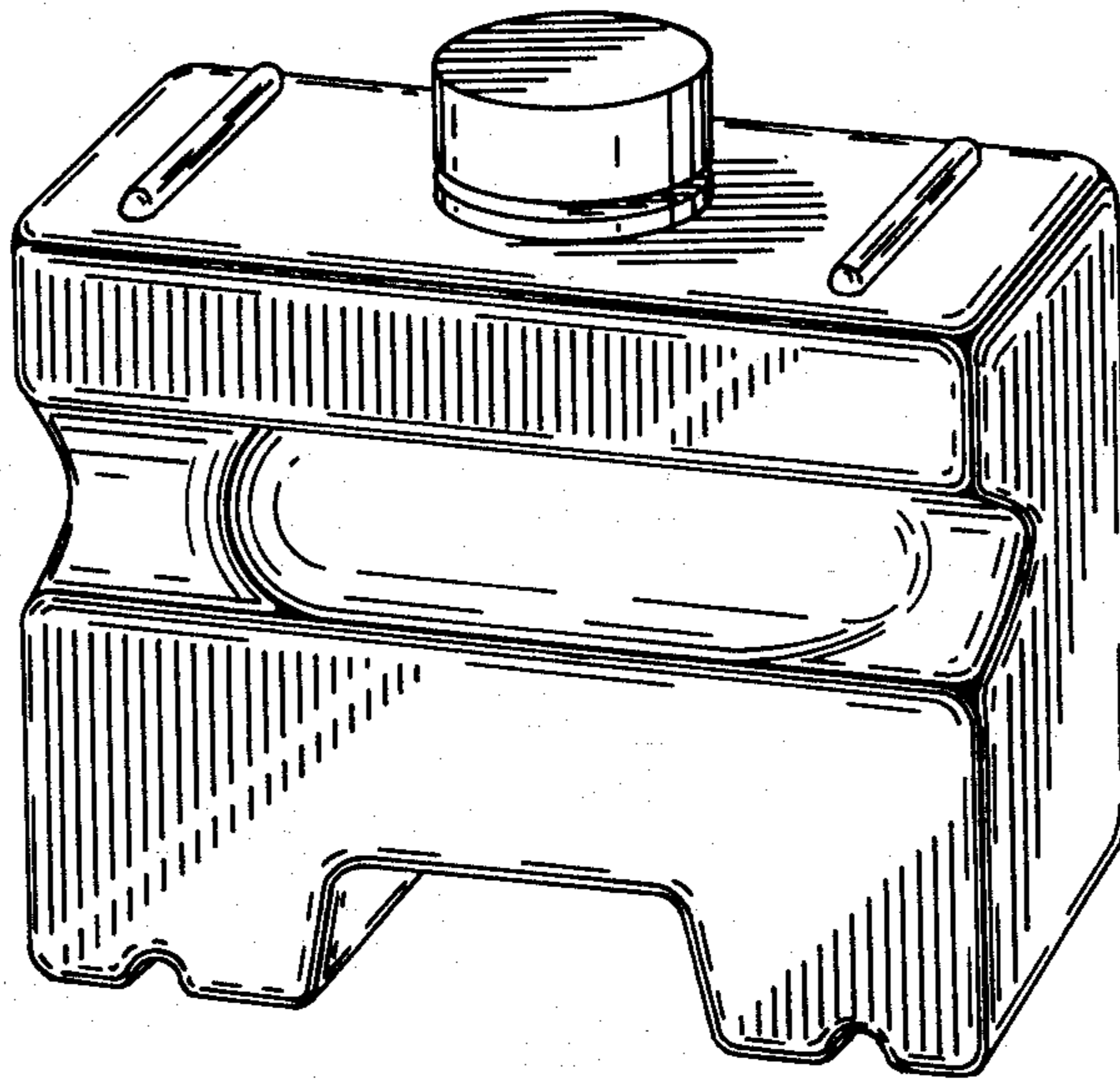


FIG. 1

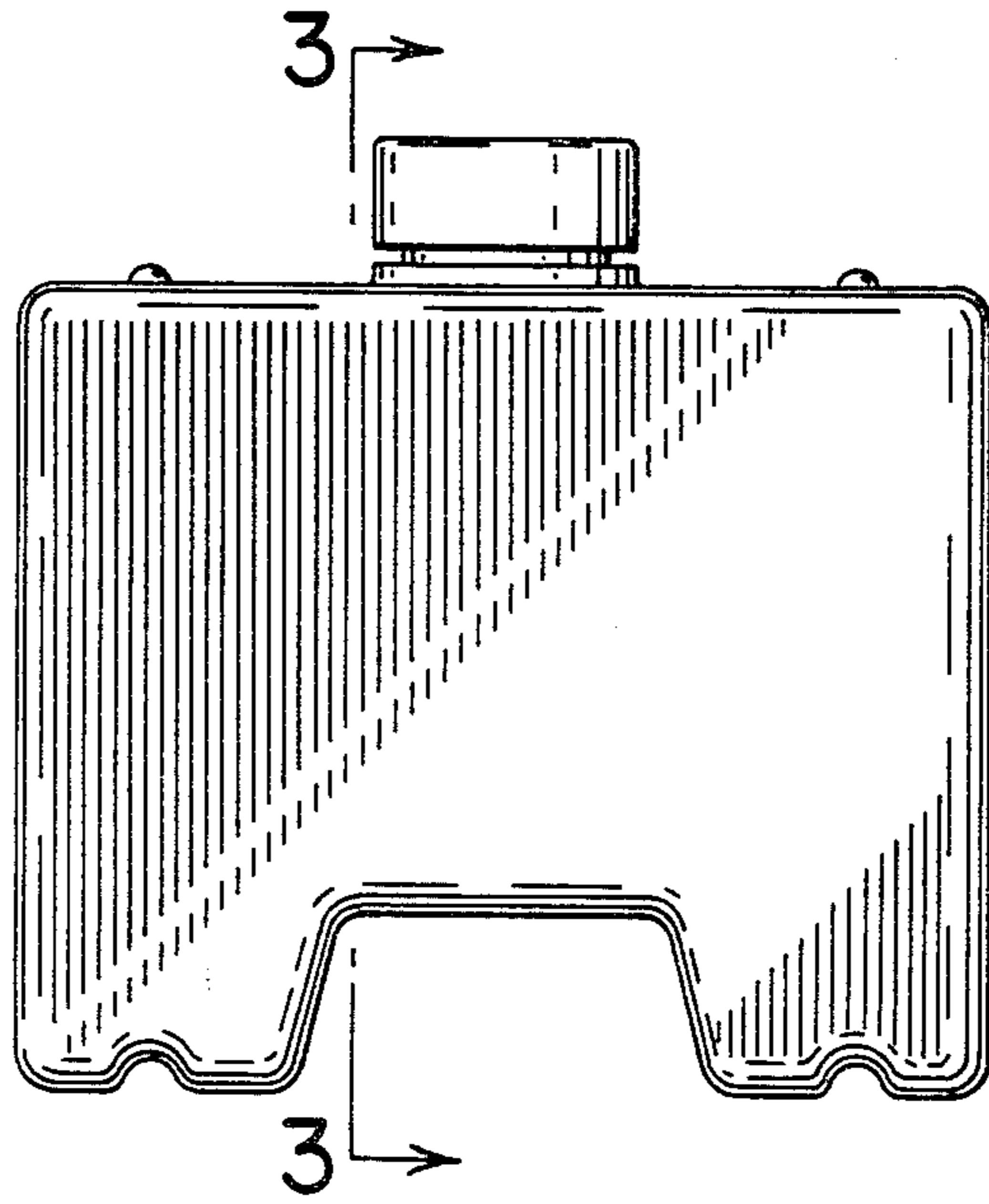


FIG. 2

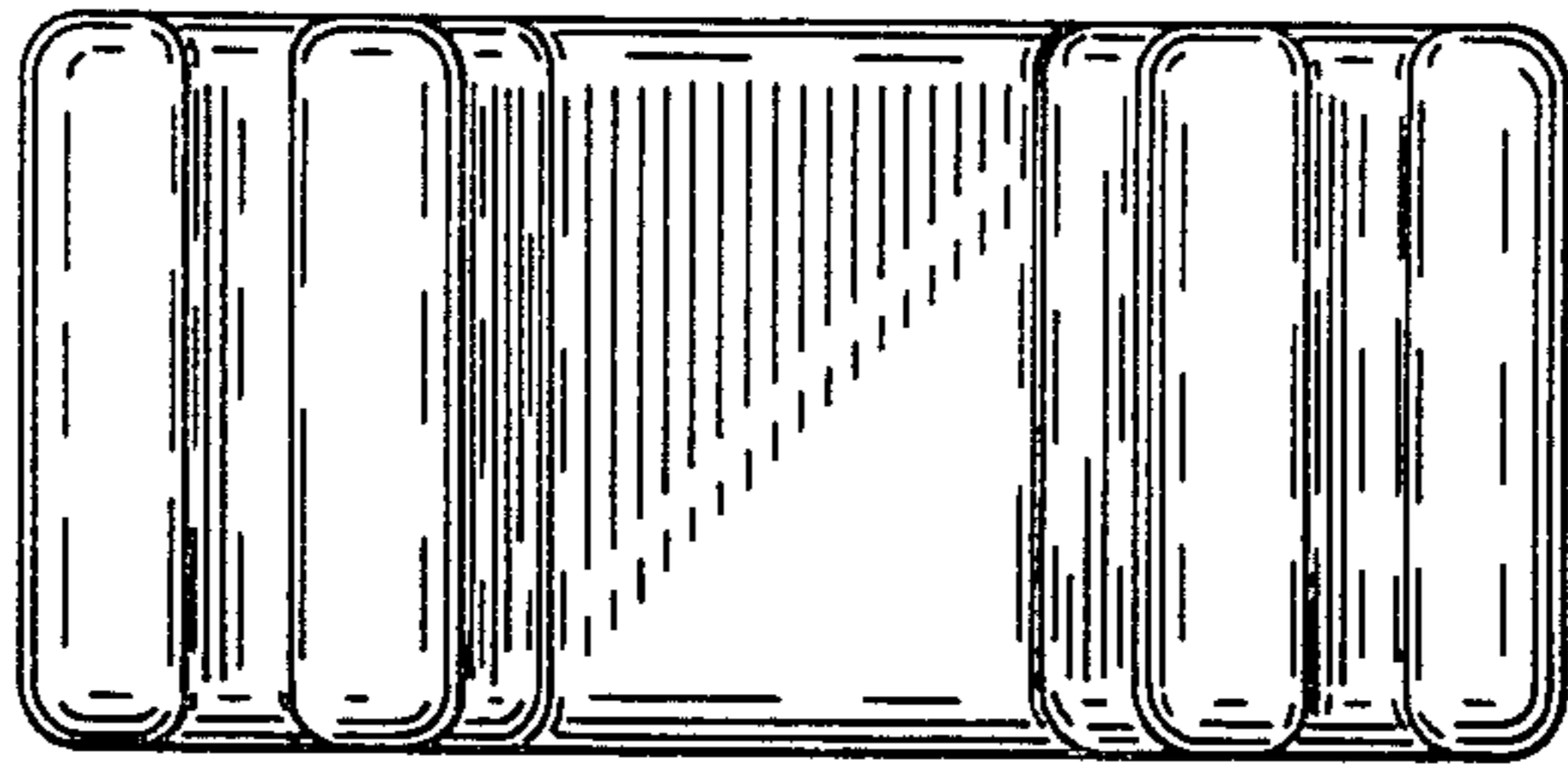


FIG. 3

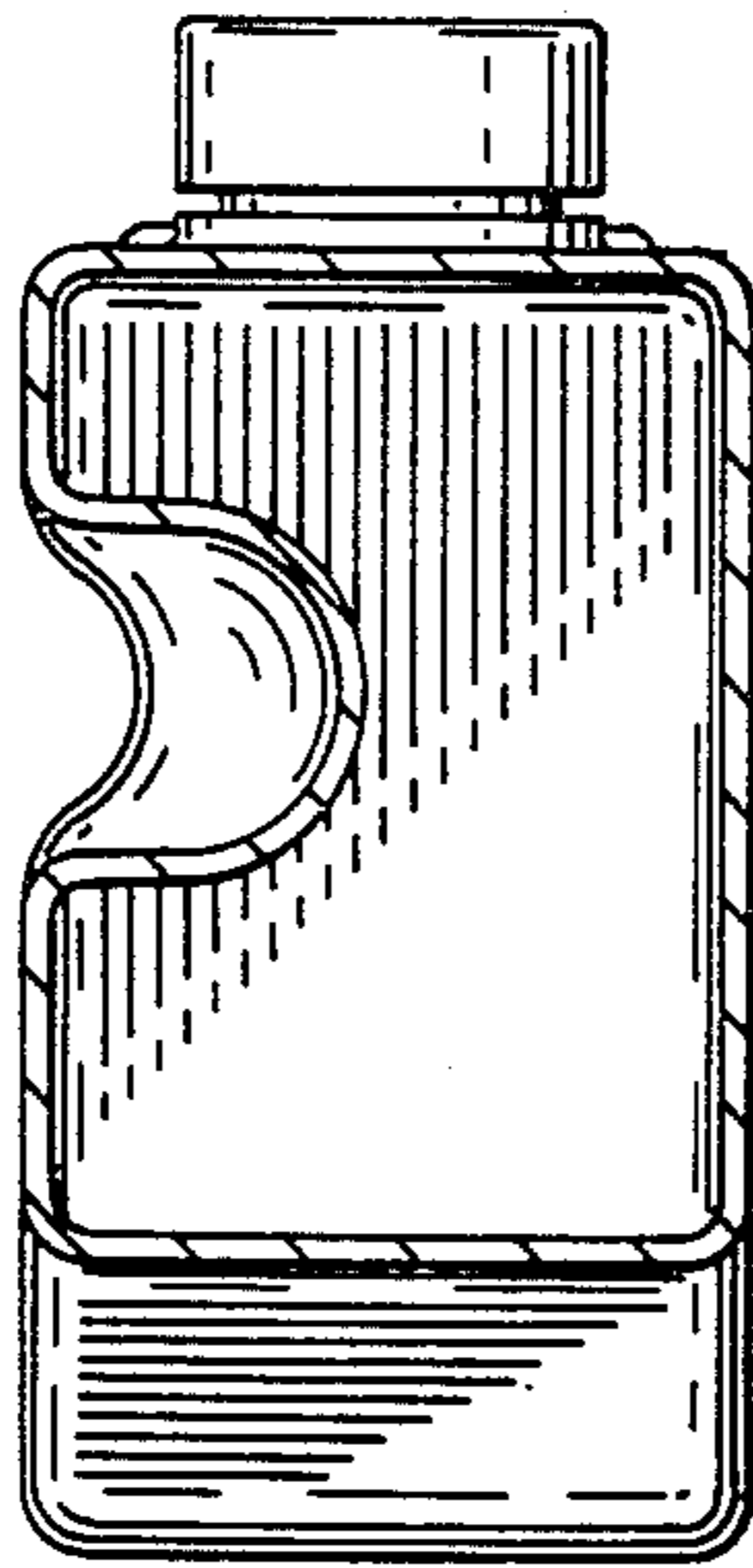


FIG. 4

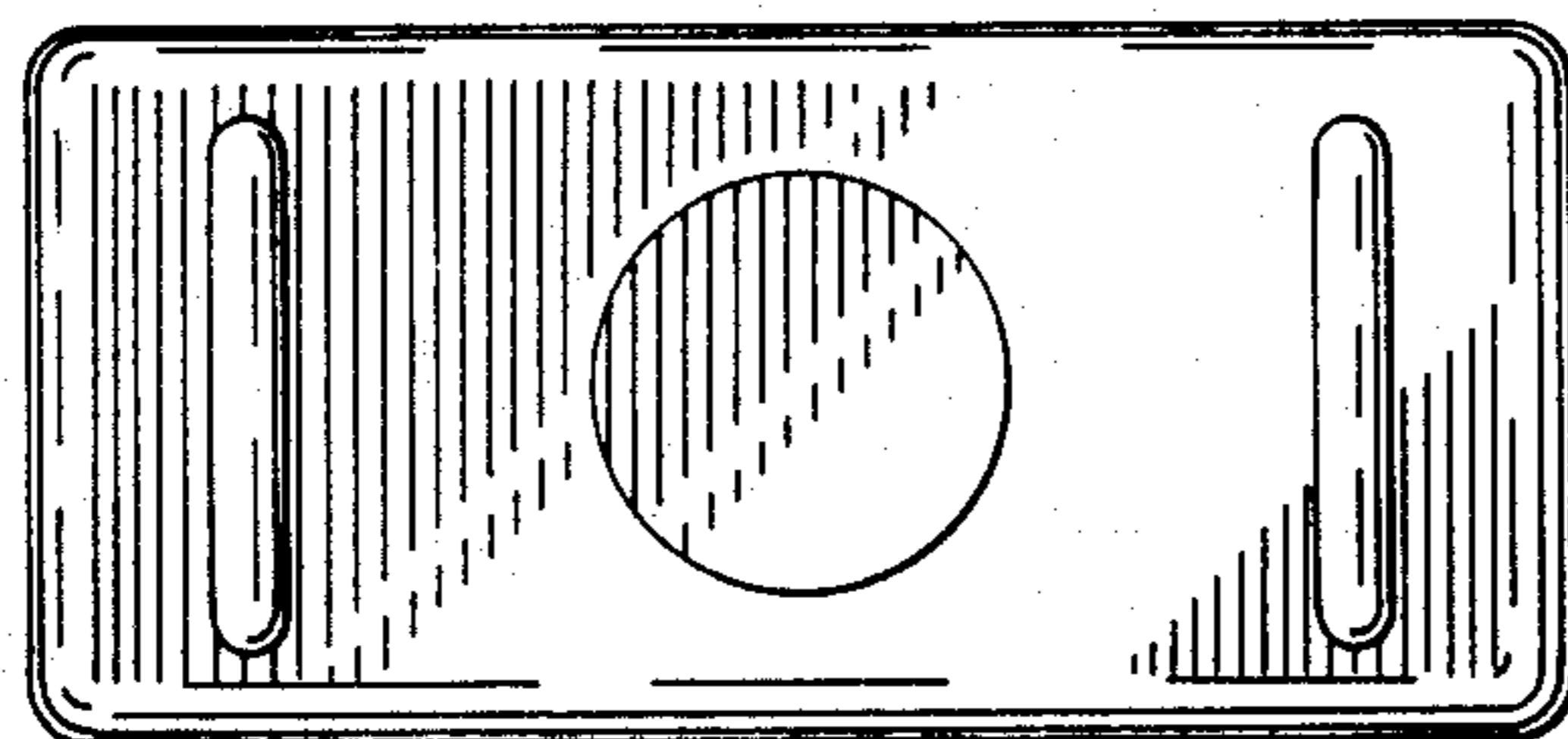
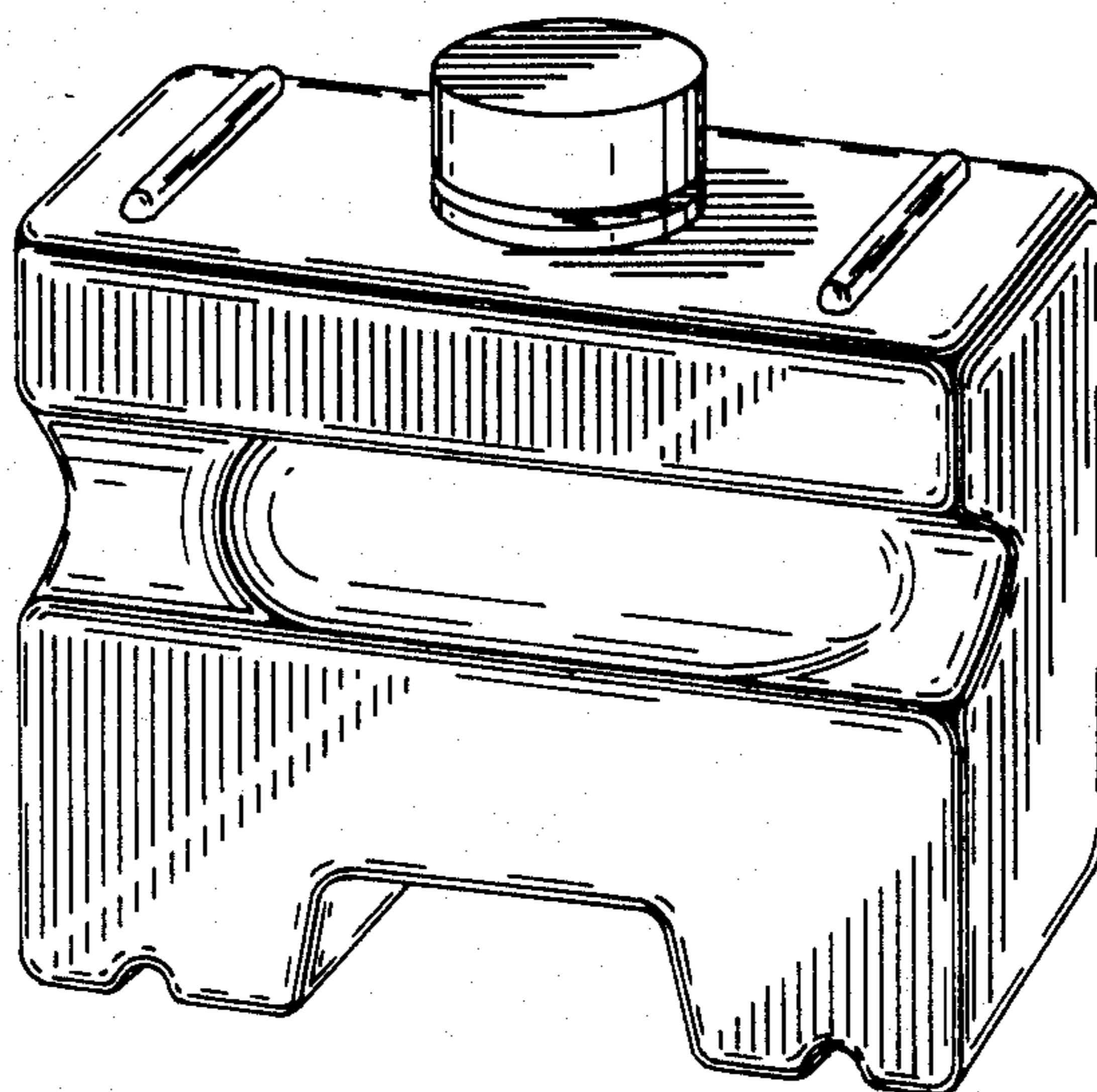


FIG. 5

FIG. 6

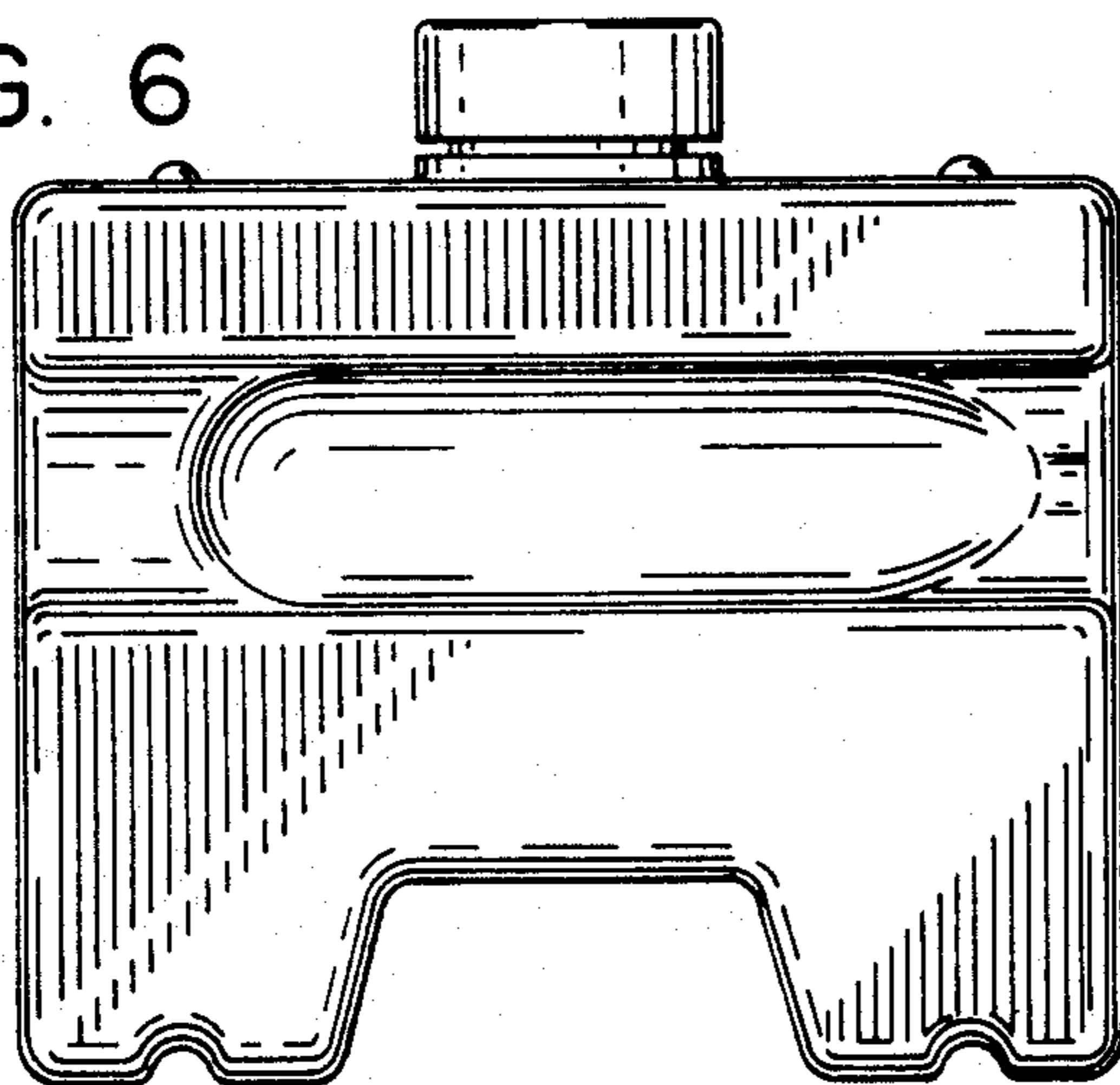


FIG. 7

