

[54] DISPOSABLE RAZOR PACKAGE

[75] Inventor: Donald Thorpe, Madison, Conn.

[73] Assignee: Warner-Lambert Company, Morris Plains, N.J.

[**] Term: 14 Years

[21] Appl. No.: 494,816

[22] Filed: May 16, 1983

[52] U.S. Cl. D9/337; D9/342; D9/415

[58] Field of Search 206/352, 354, 228; D9/337, 415, 342, 339, 340

[56] References Cited

U.S. PATENT DOCUMENTS

- D. 227,234 6/1973 Glaberson D9/342
- D. 253,040 10/1979 Fournier D9/342
- D. 253,167 10/1979 Fournier et al. D9/415
- D. 257,327 10/1980 Samsing D9/342

- D. 275,737 10/1984 Carey, Jr. et al. D9/415
- 4,432,452 2/1984 Kelly 206/354
- 4,445,610 5/1984 Richards 206/354
- 4,450,980 5/1984 Clabby et al. 206/228 X

Primary Examiner—Robert C. Spangler
Attorney, Agent, or Firm—R. S. Strickler

[57] CLAIM

The ornamental design for a disposable razor package, substantially as shown and described.

DESCRIPTION

FIG. 1 is a front elevational view of a disposable razor package showing my new design, the rear being substantially a mirror image thereof;
 FIG. 2 is an elevational view looking from the left of FIG. 1;
 FIG. 3 is an elevational view looking from the right of FIG. 1;
 FIG. 4 is a top plan view; and
 FIG. 5 is a bottom plan view.

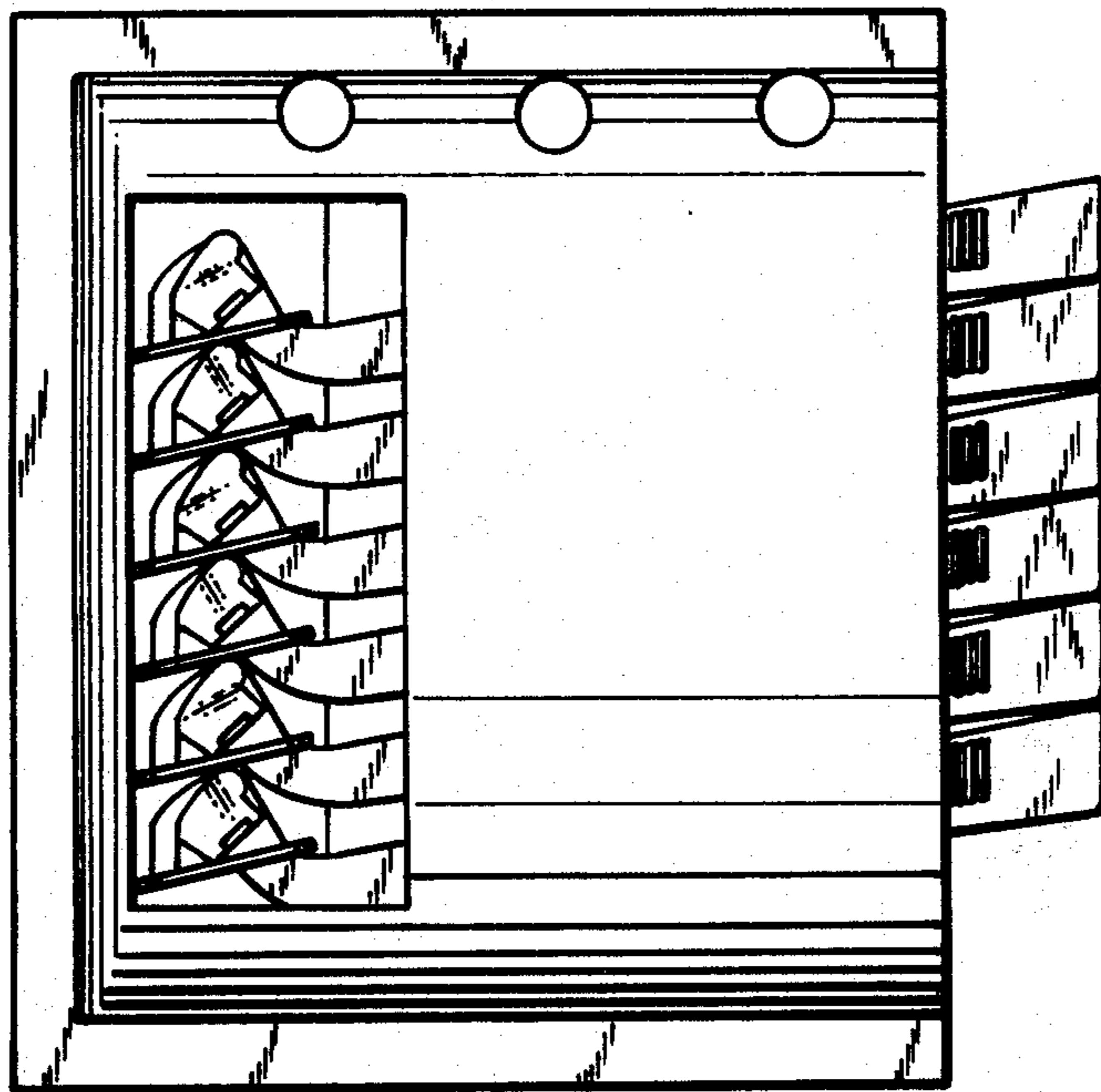


FIG.1

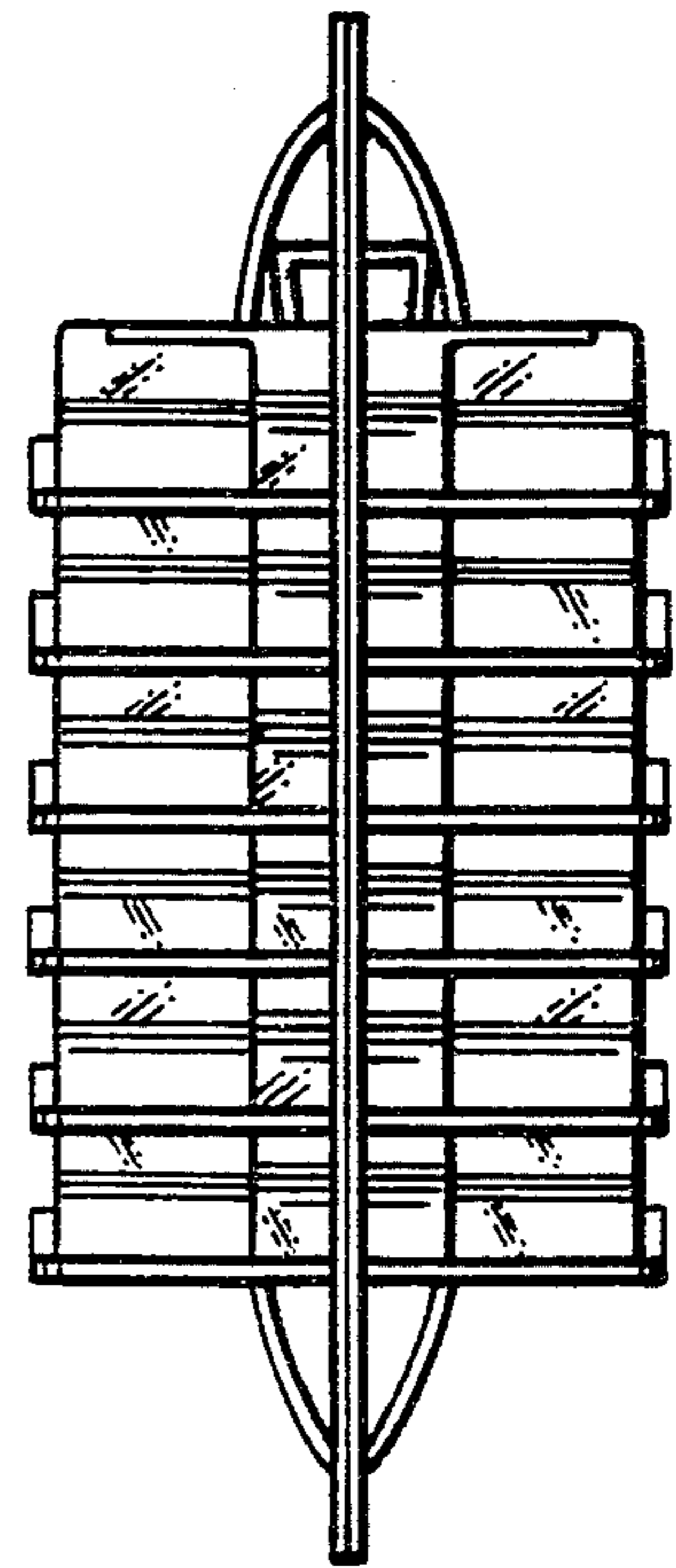
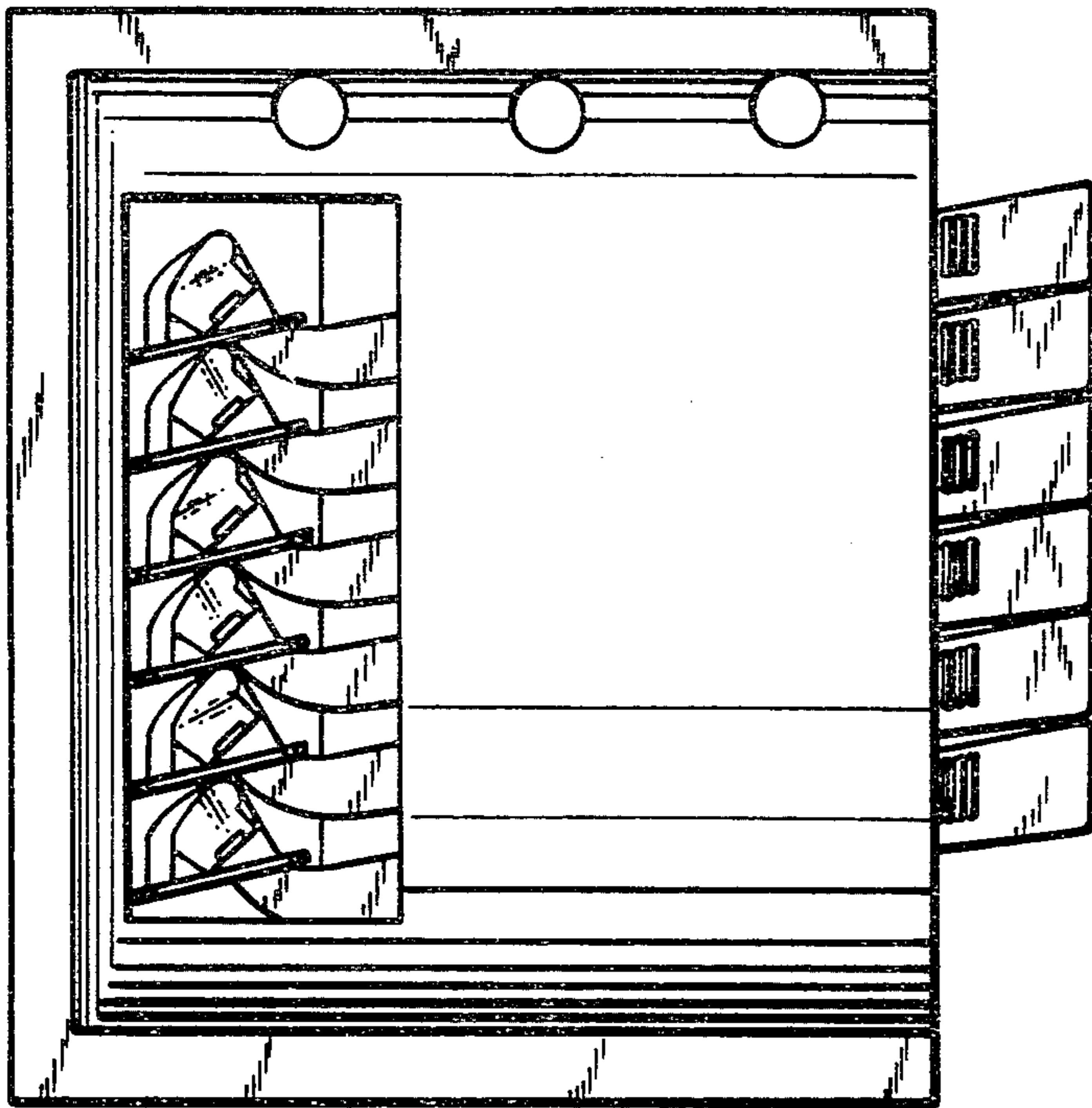


FIG.2

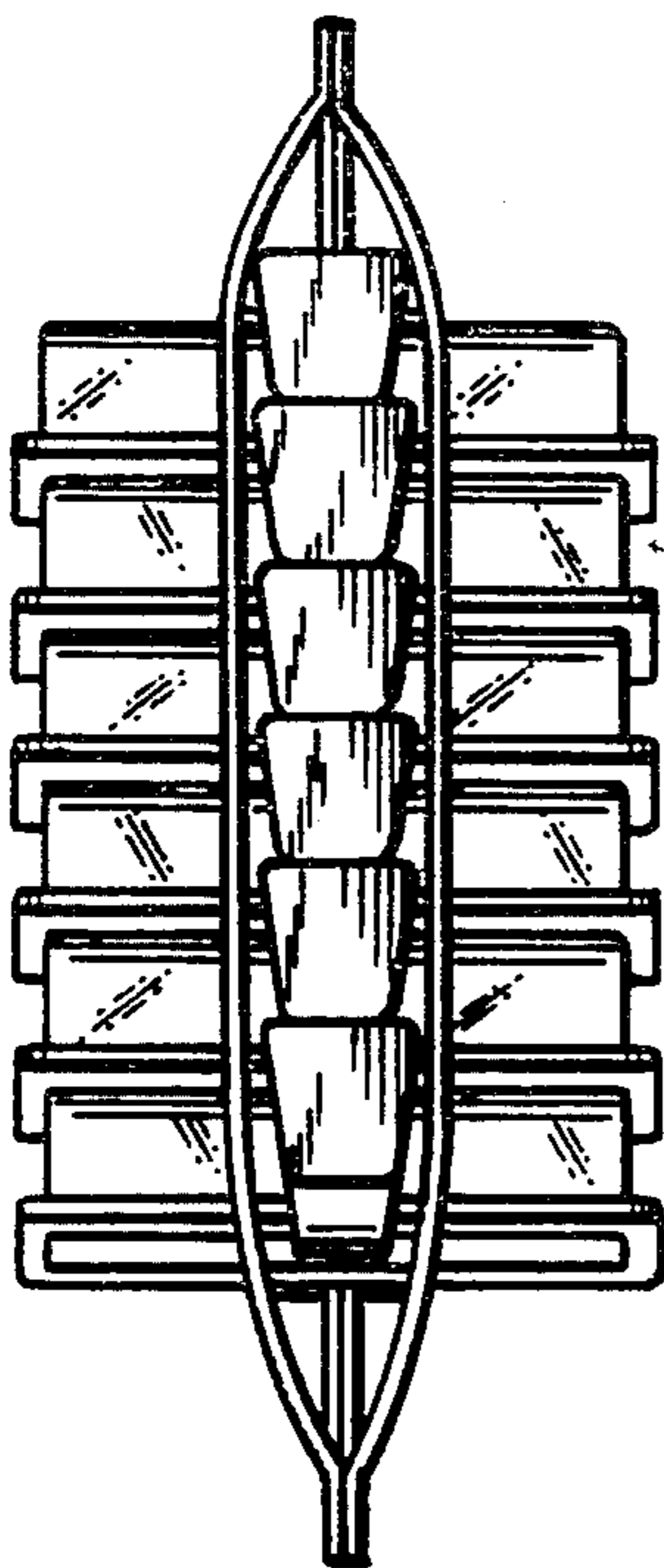


FIG.3

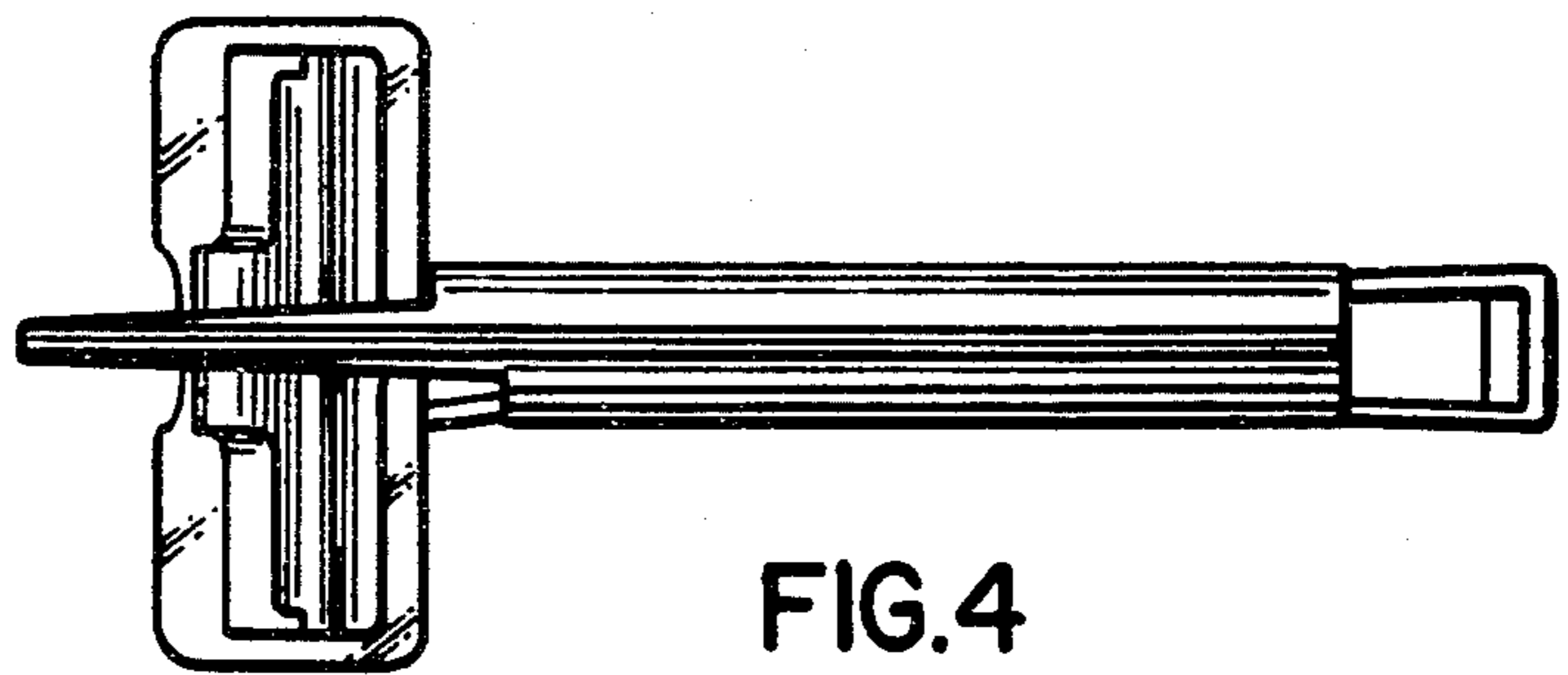


FIG.4

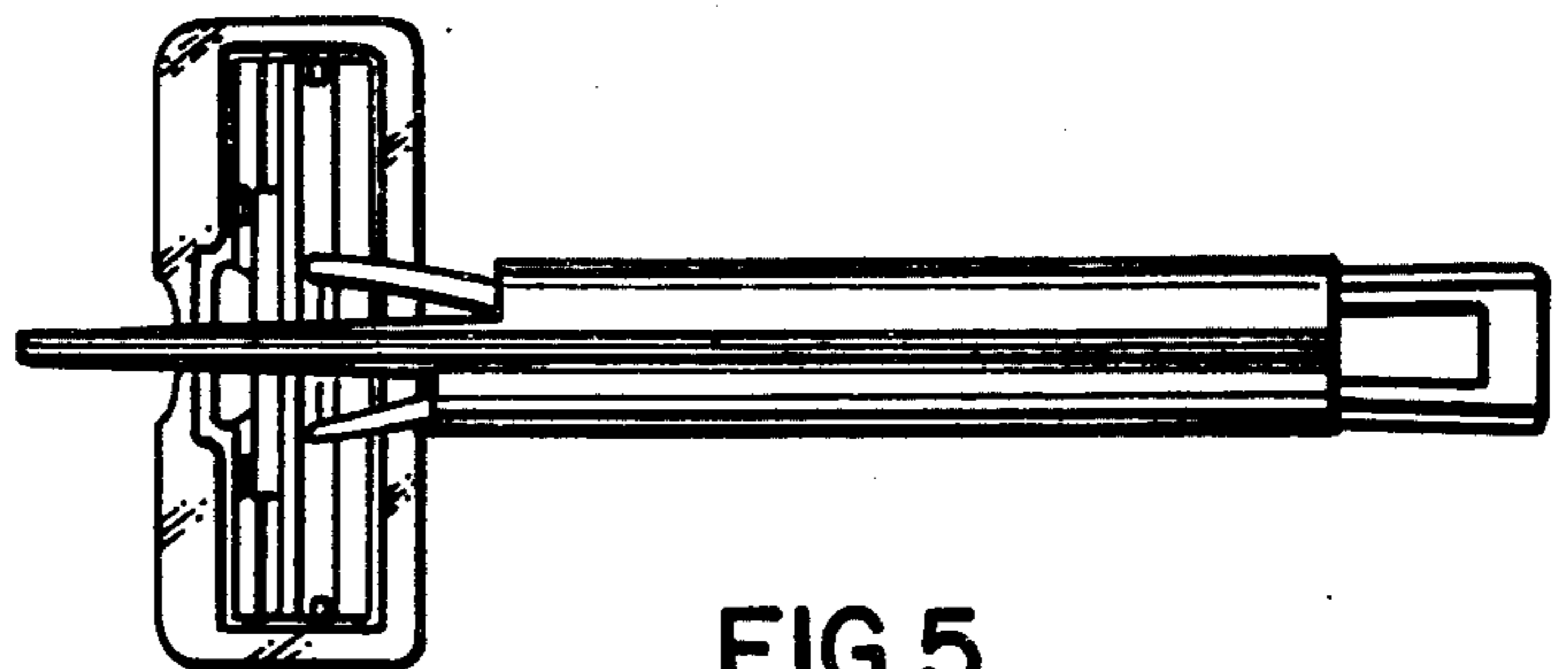


FIG.5