

[54] **DOWEL JIG**

[75] **Inventor: Joseph H. Warburg, Monsey, N.Y.**

[73] **Assignee: Arco Products Corp., Englewood, N.J.**

[**] **Term: 14 Years**

[21] **Appl. No.: 528,707**

[22] **Filed: Sep. 1, 1983**

[52] **U.S. Cl. D8/71**

[58] **Field of Search D8/71; 33/189, 197; 408/72 B; 29/26 A, 26**

[56] **References Cited**

U.S. PATENT DOCUMENTS

- 3,324,907 6/1967 Stepanek 33/197
- 3,775,020 11/1973 Stoutenberg 33/189

- 4,145,160 3/1979 Wiggins D8/71
- 4,176,989 12/1979 Wolff 33/189

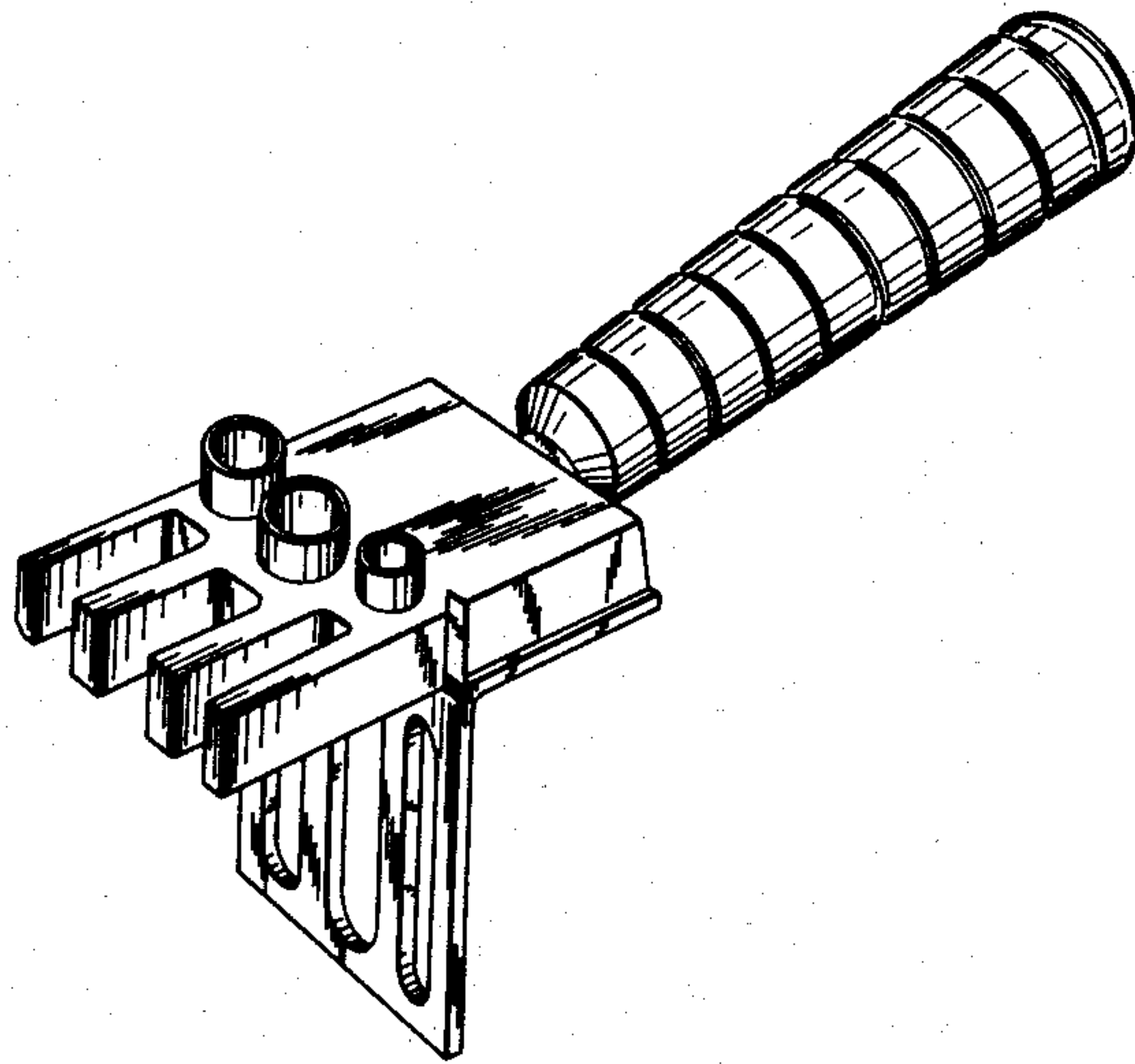
Primary Examiner—Wallace R. Burke
Assistant Examiner—Suzanne N. Gitlin
Attorney, Agent, or Firm—Blum, Kaplan, Friedman, Silberman & Beran

[57] **CLAIM**

The ornamental design for a dowel jig, as shown.

DESCRIPTION

FIG. 1 is a perspective view of a dowel jig showing my new design;
 FIG. 2 is a top plan view thereof;
 FIG. 3 is a front elevational view thereof;
 FIG. 4 is a left side elevational view thereof;
 FIG. 5 is a rear elevational view thereof; and
 FIG. 6 is a bottom plan view thereof.



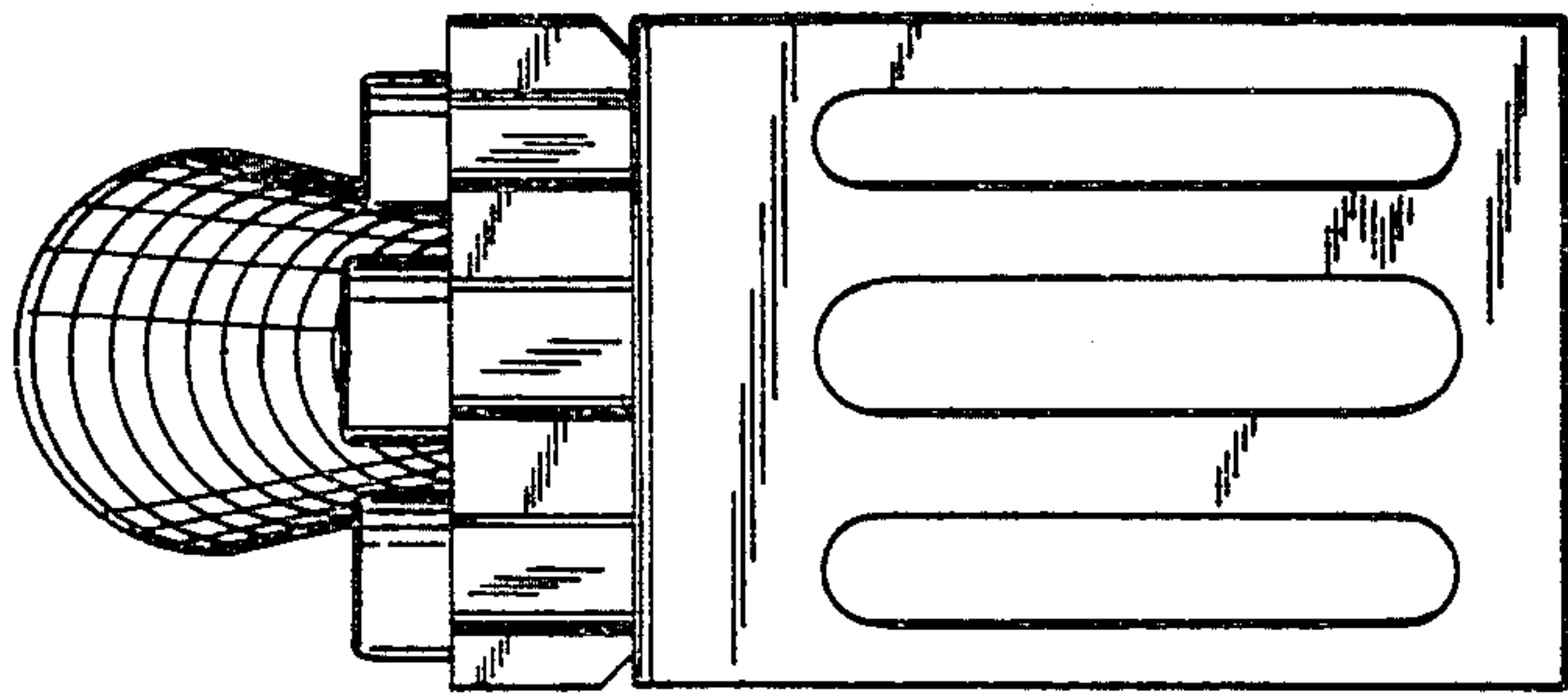


FIG. 3

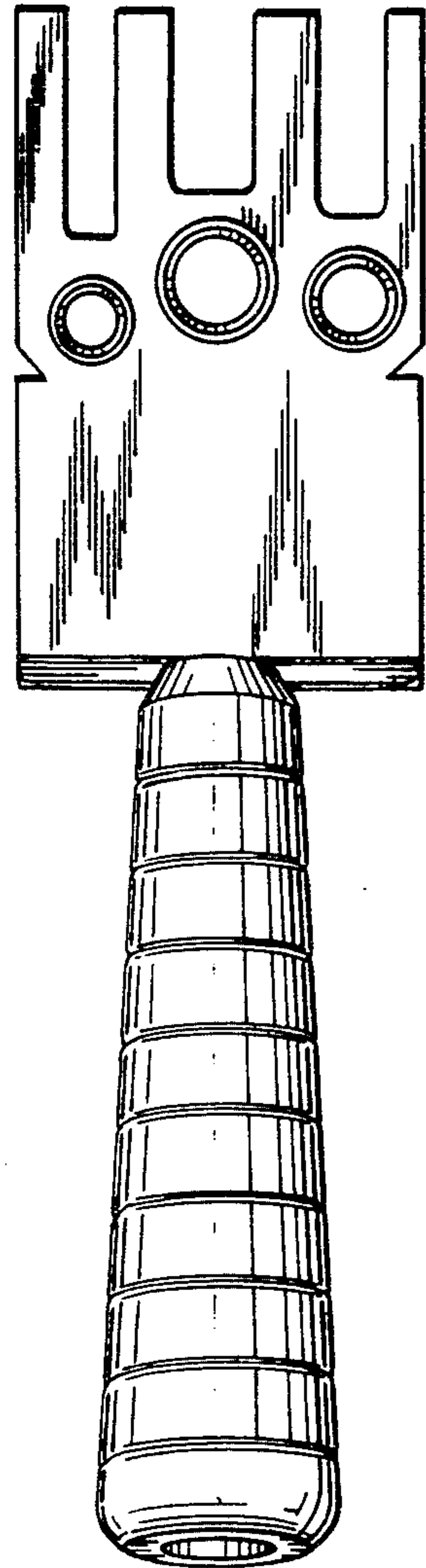


FIG. 2

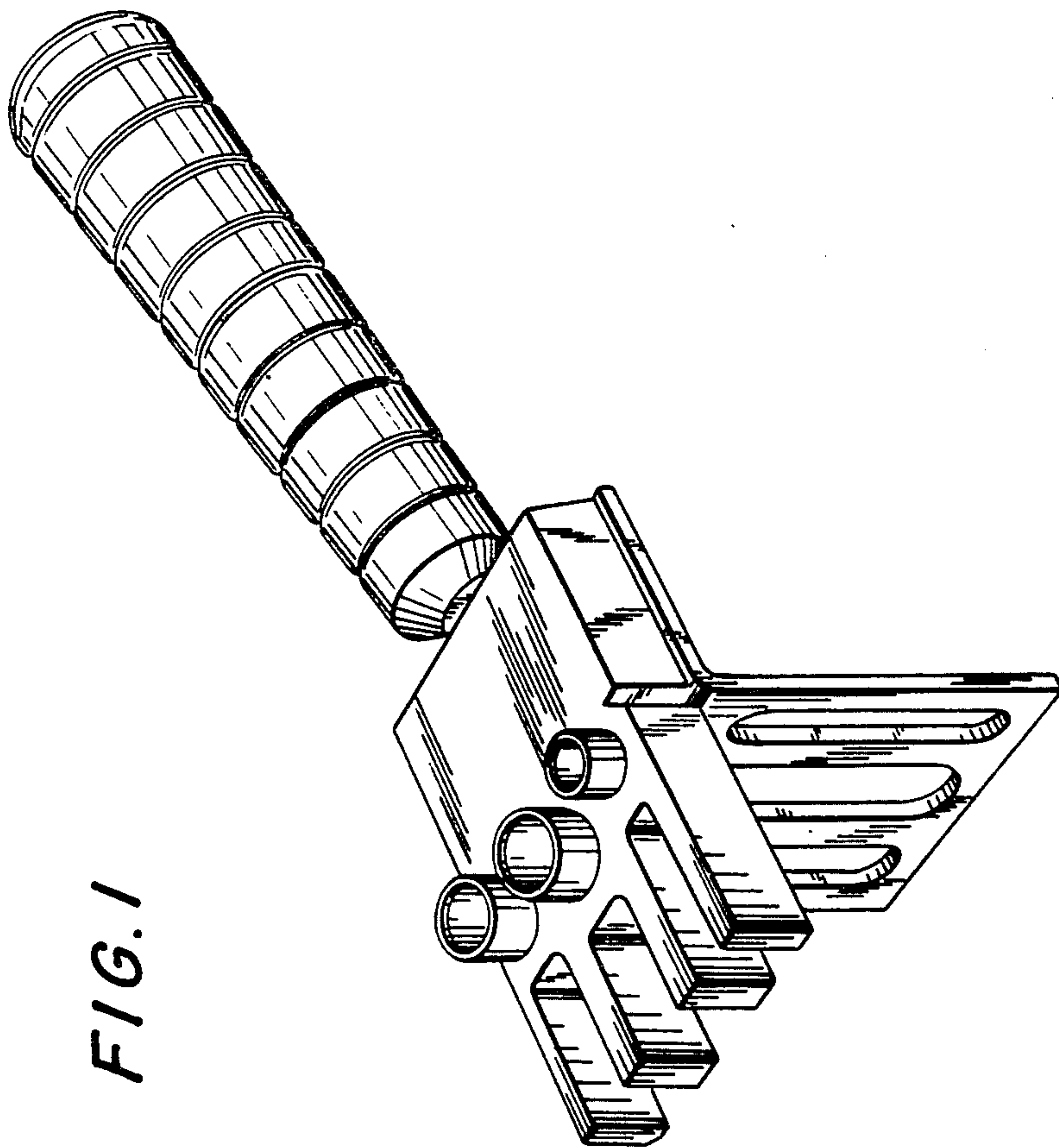


FIG. 1

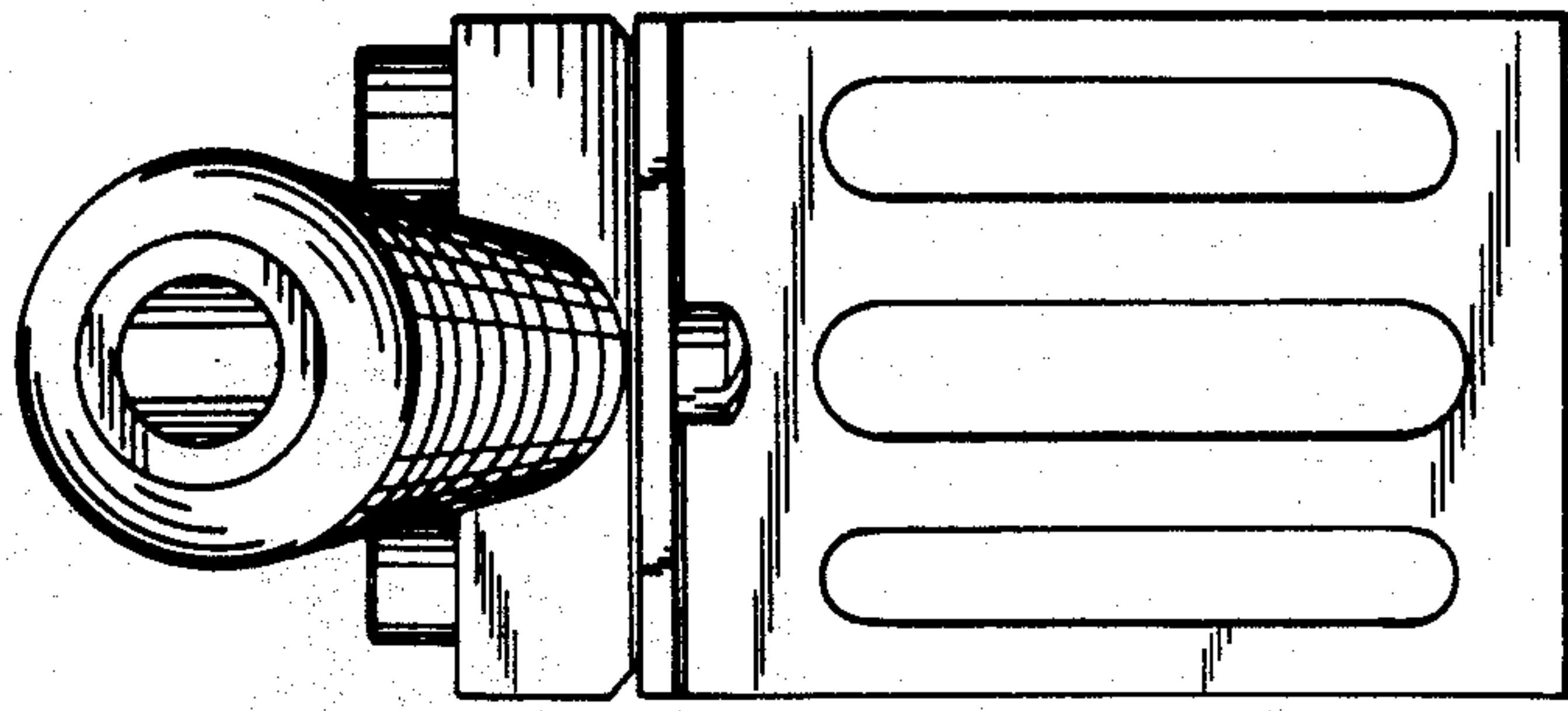


FIG. 5

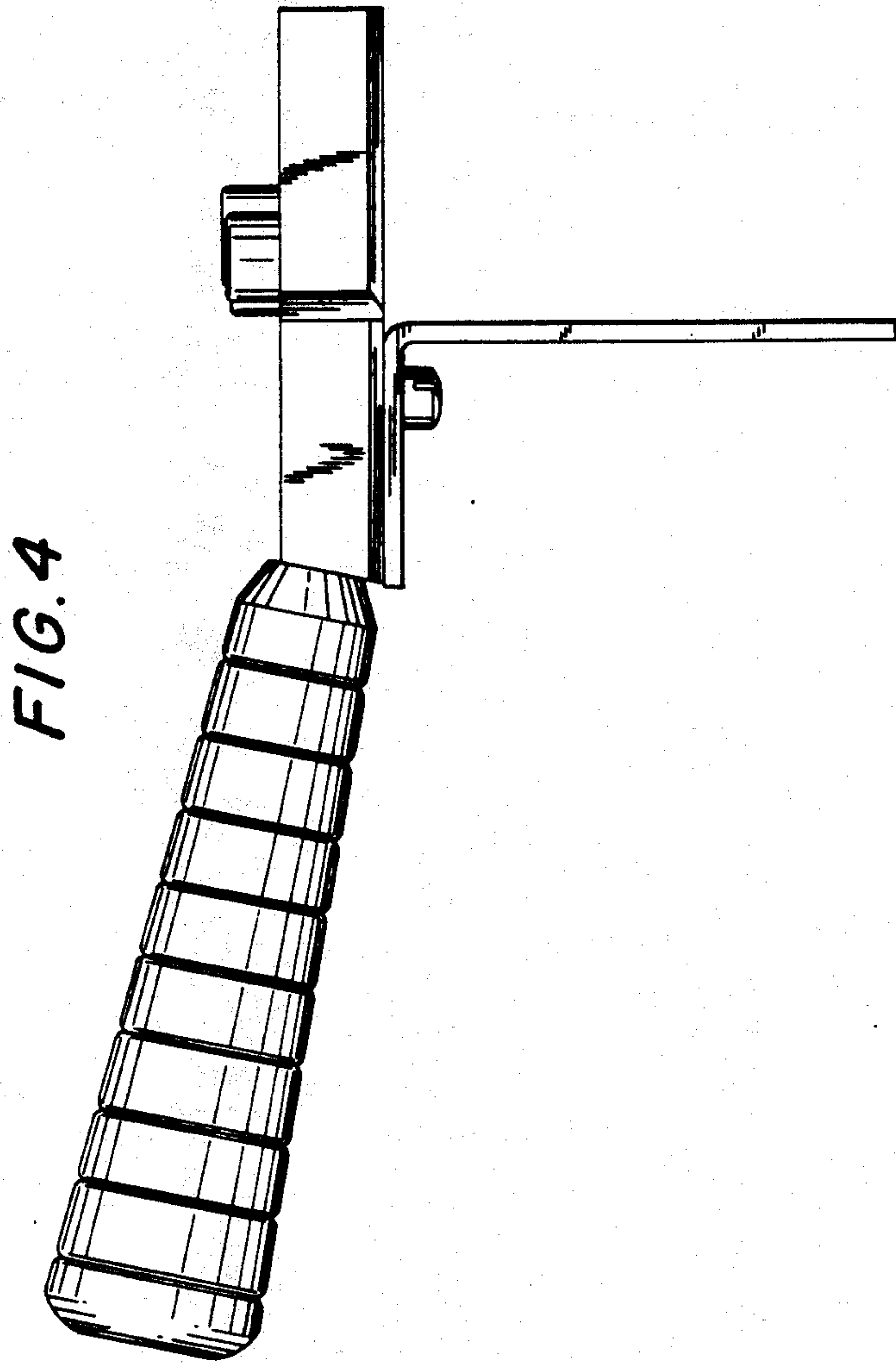


FIG. 4

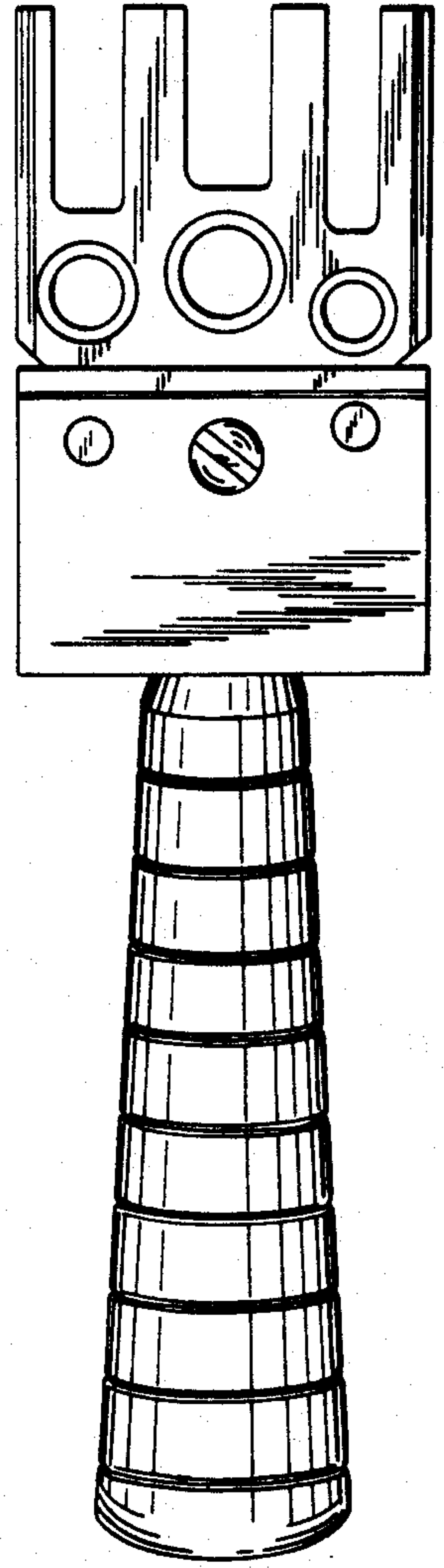


FIG. 6