

[54] HEADBOARD

[75] Inventors: Vincent P. Scully, Los Angeles; Leon E. Waxman, Sherman Oaks, both of Calif.

[73] Assignee: Water & Wood Mfg., Gardena, Calif.

[**] Term: 14 Years

[21] Appl. No.: 536,248

[22] Filed: Sep. 27, 1983

[52] U.S. Cl. D6/505; D6/393

[58] Field of Search D6/382-384, D6/389, 393, 394, 397, 503, 505-507

[56] References Cited

U.S. PATENT DOCUMENTS

D. 2,279	3/1866	Cambridge	D6/393
D. 76,689	10/1928	Jorgensen	D6/393
D. 80,688	3/1930	French	D6/393
D. 255,848	7/1980	Smith	D6/505

OTHER PUBLICATIONS

Flotation Sleep Industry, 7-82, p. 3, Water & Wood Bottom Inset photo, Headboard.

Schoner Wohnen, 8-82, p. 11, Grange Bed Headboard.

Primary Examiner—Jane E. Corrigan
Attorney, Agent, or Firm—Pretty, Schroeder, Brueggemann & Clark

[57] CLAIM

The ornamental design for a headboard, as shown and described.

DESCRIPTION

FIG. 1 is a front elevational view of a headboard showing our new design;

FIG. 2 is a rear elevational view thereof;

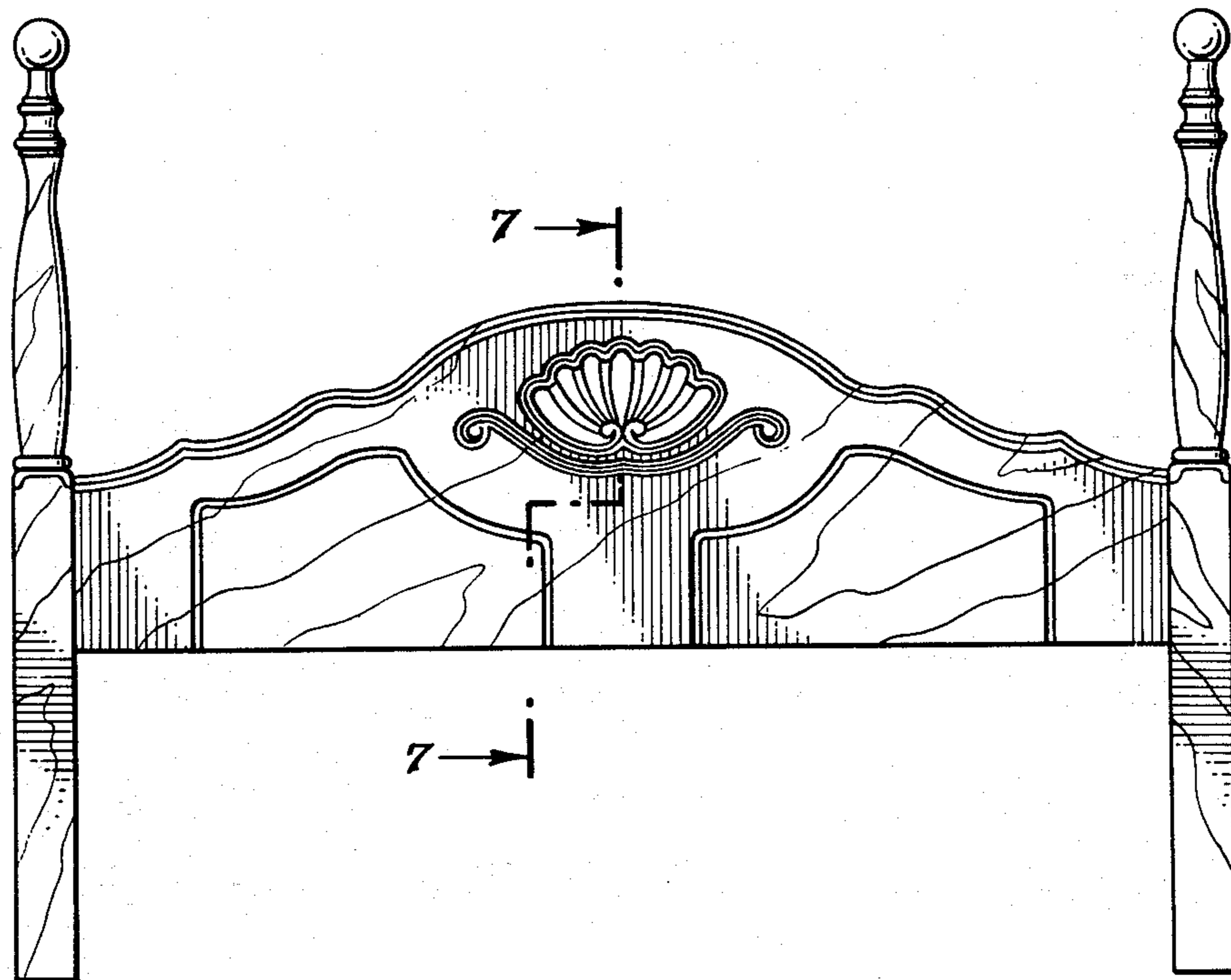
FIG. 3 is a top plan view thereof;

FIG. 4 is a bottom plan view thereof;

FIG. 5 is a left side elevational view thereof;

FIG. 6 is a right side elevational view thereof; and

FIG. 7 is a sectional view taken along angular line 7-7 in FIG. 1.



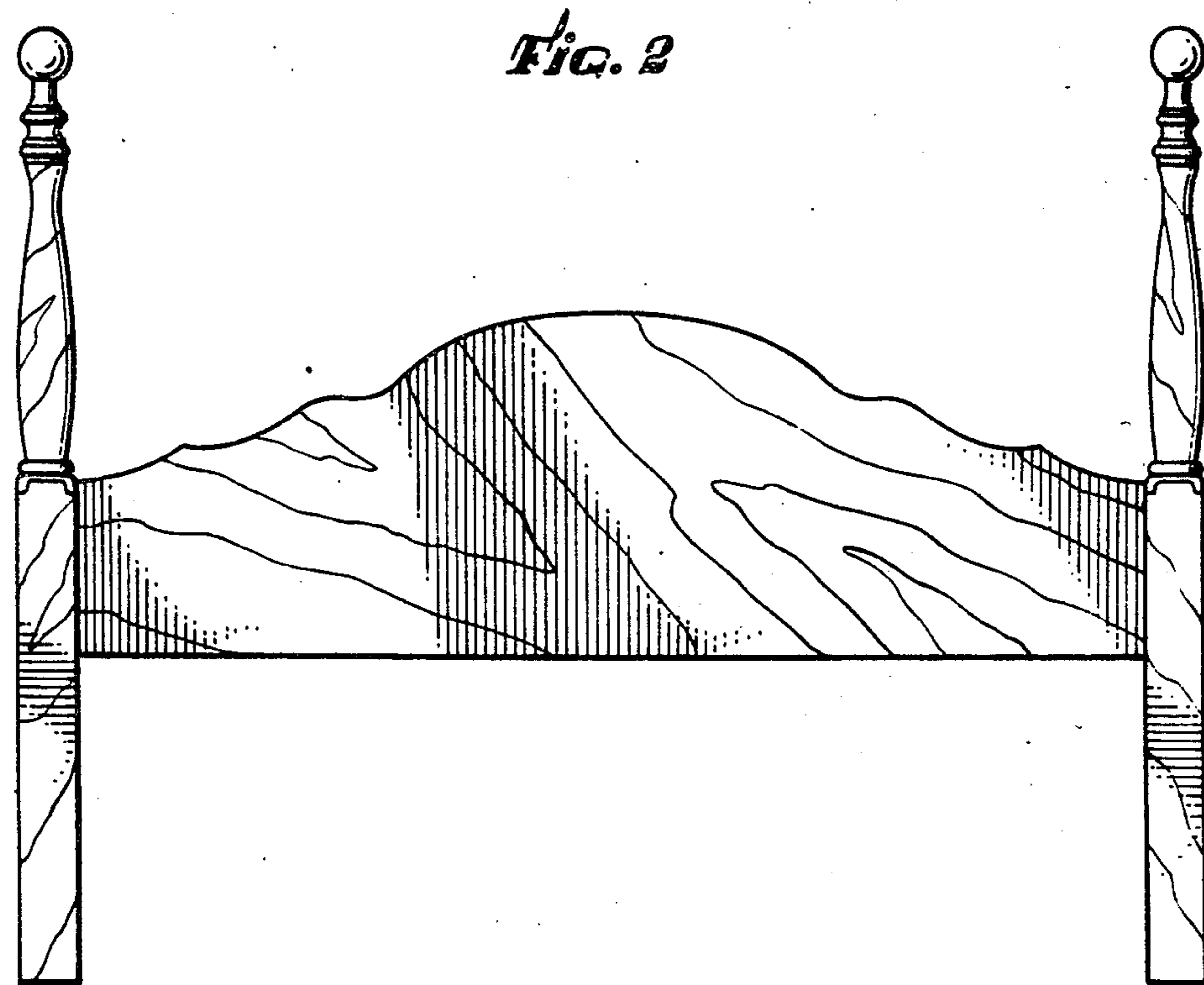
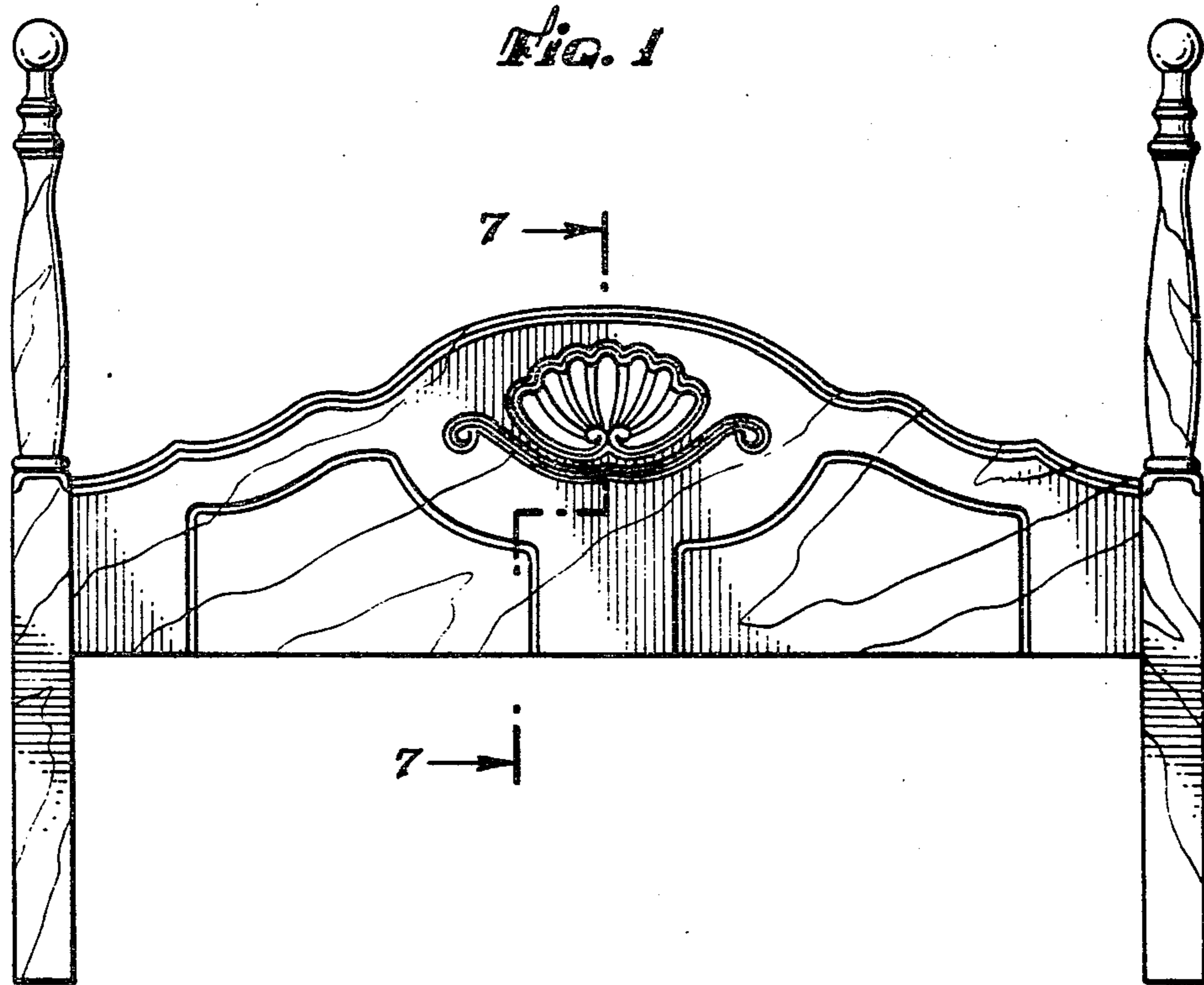


Fig. 3

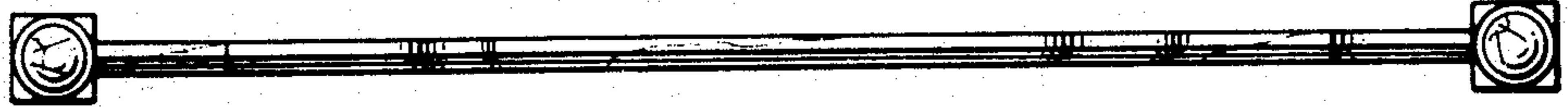


Fig. 4



Fig. 5



Fig. 6



Fig. 7

