

[54] HEADBOARD

[75] Inventors: Vincent P. Scully, Los Angeles; Leon E. Waxman, Sherman Oaks, both of Calif.

[73] Assignee: Water & Wood Mfg., Gardena, Calif.

[**] Term: 14 Years

[21] Appl. No.: 536,184

[22] Filed: Sep. 27, 1983

[52] U.S. Cl. D6/505; D6/384; D6/393; D6/397; D6/446

[58] Field of Search D6/382-384, D6/393, 394, 397, 432, 446, 448, 470, 503, 505-507

[56] References Cited

U.S. PATENT DOCUMENTS

D. 156,043	11/1949	Sands	D6/397
D. 198,320	6/1964	Smith	D6/446
D. 262,847	2/1982	Keller	D6/446
D. 273,542	4/1984	West	D6/505

OTHER PUBLICATIONS

Drexel Heritage Furnishings, Inc., Drexel, N.C., "Precedent" Brochure ©'77, p. 20, bottom left illustration. Flotation Sleep Industry, 10-82, p. 86, "Oak Bridge" & Butcher Block Oak Tree Beds.

Primary Examiner—Jane E. Corrigan
Attorney, Agent, or Firm—Pretty, Schroeder, Brueggemann & Clark

[57] CLAIM

The ornamental design for a headboard, as shown and described.

DESCRIPTION

FIG. 1 is a front elevational view of a headboard showing our new design;
FIG. 2 is a rear elevational view thereof;
FIG. 3 is a top plan view thereof;
FIG. 4 is a bottom plan view thereof;
FIG. 5 is a left side elevational view thereof;
FIG. 6 is a right side elevational view thereof;
FIG. 7 is a sectional view taken along line 7-7 in FIG. 1; and
FIG. 8 is a sectional view taken along line 8-8 in FIG. 1.

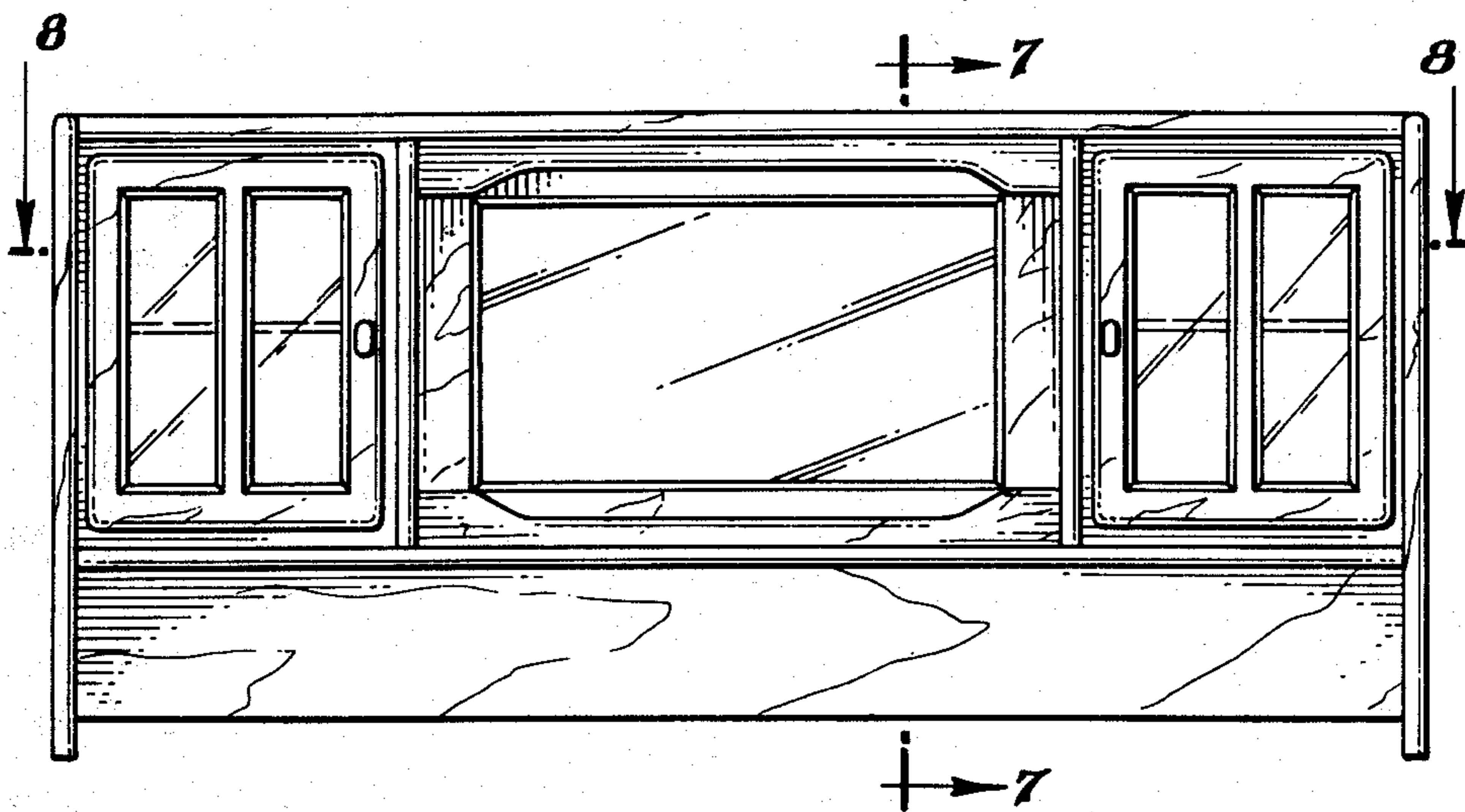


FIG. 1

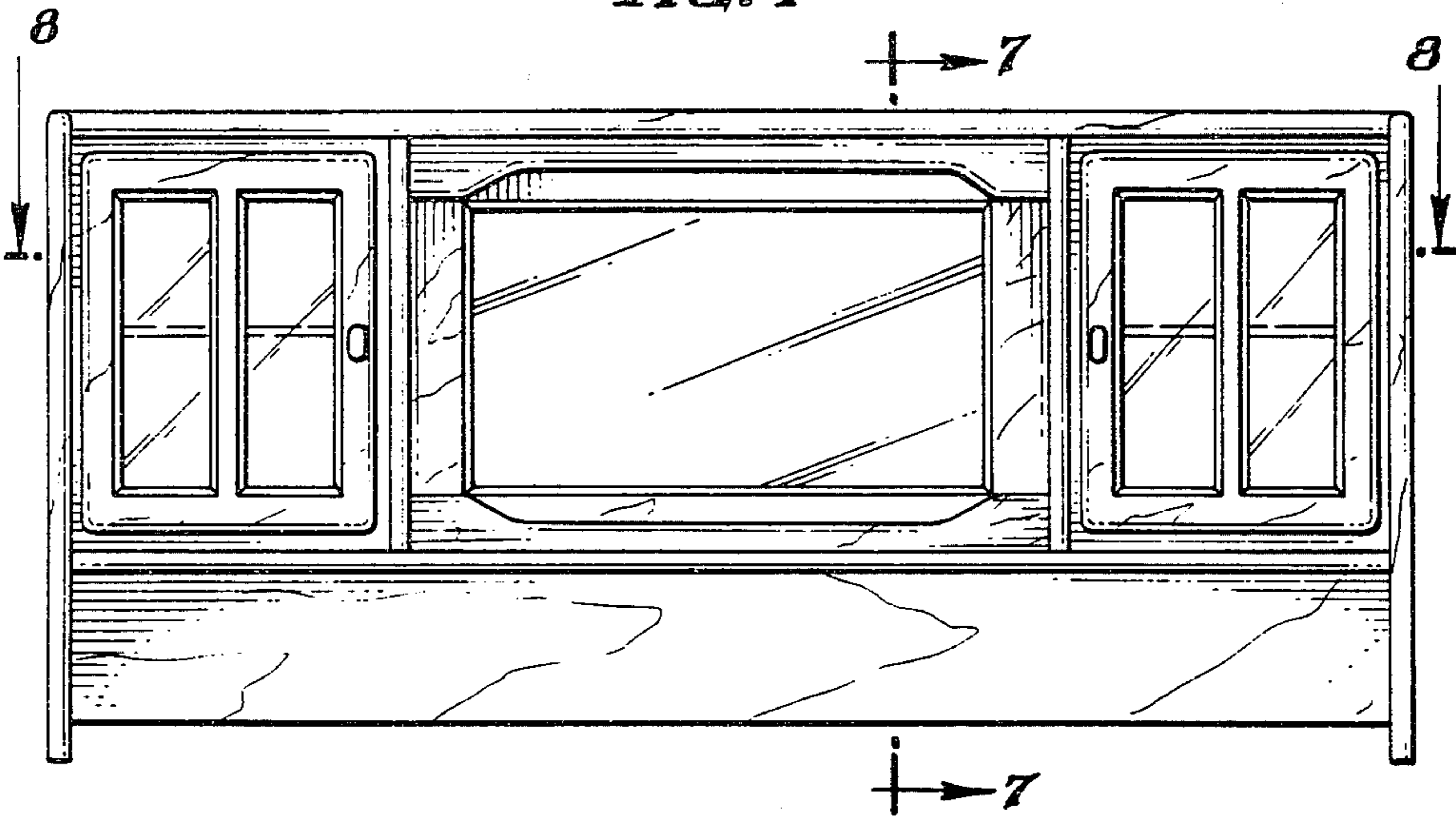


FIG. 2

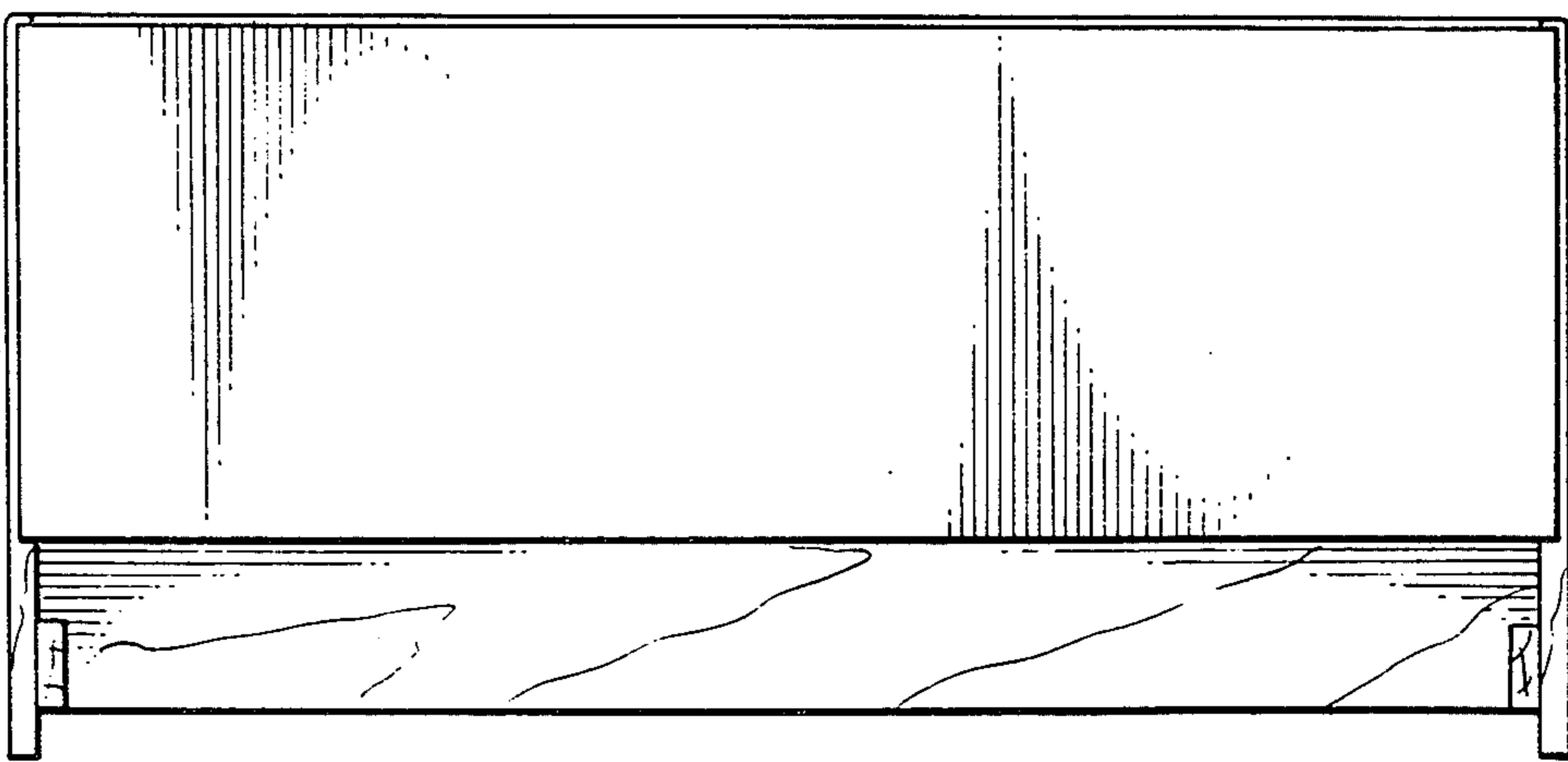


Fig. 3

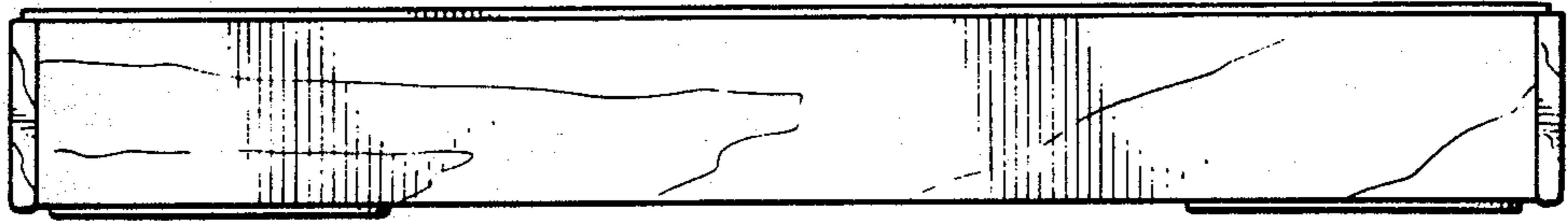


Fig. 4

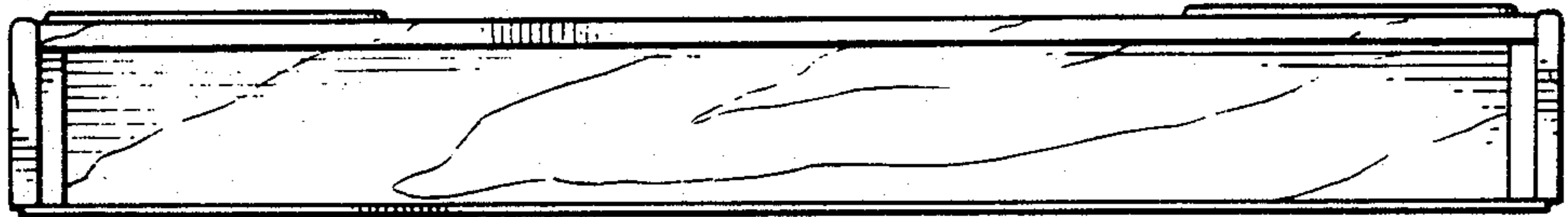


Fig. 5

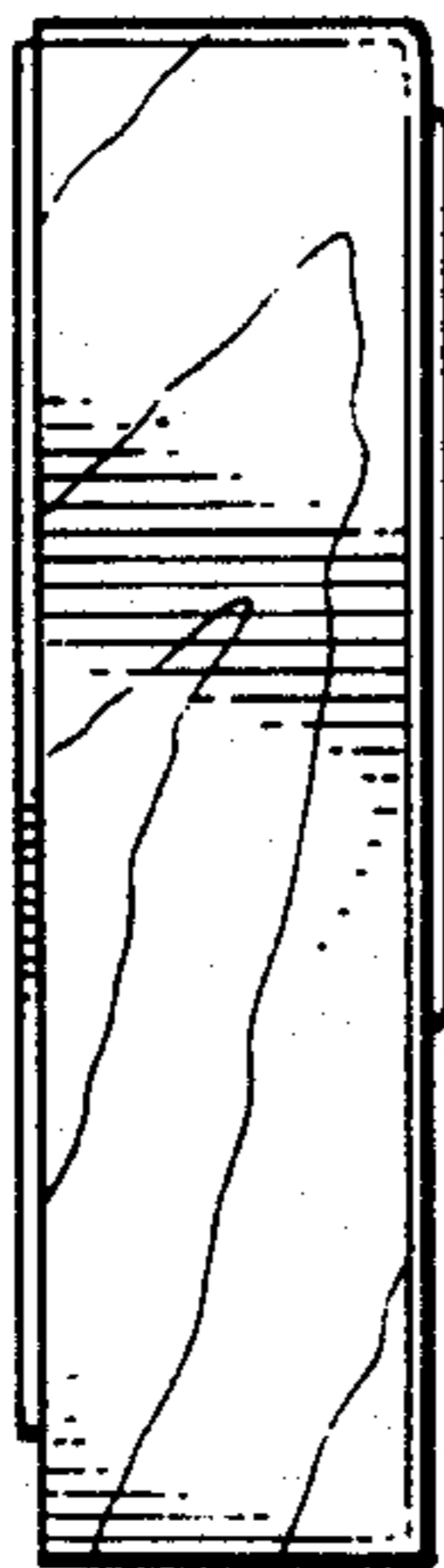


Fig. 6

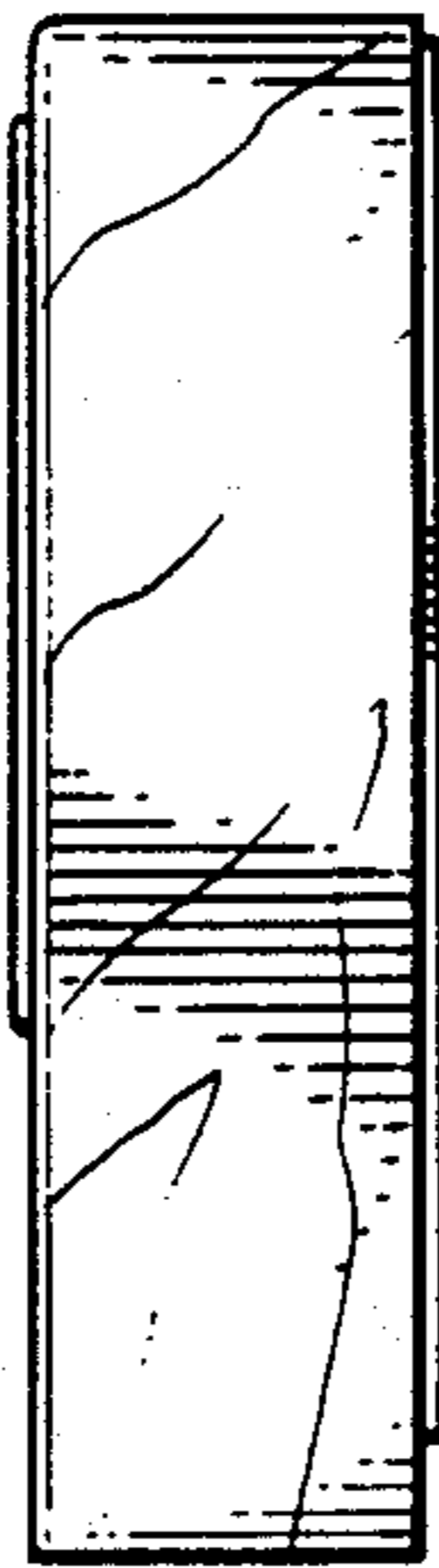


Fig. 7

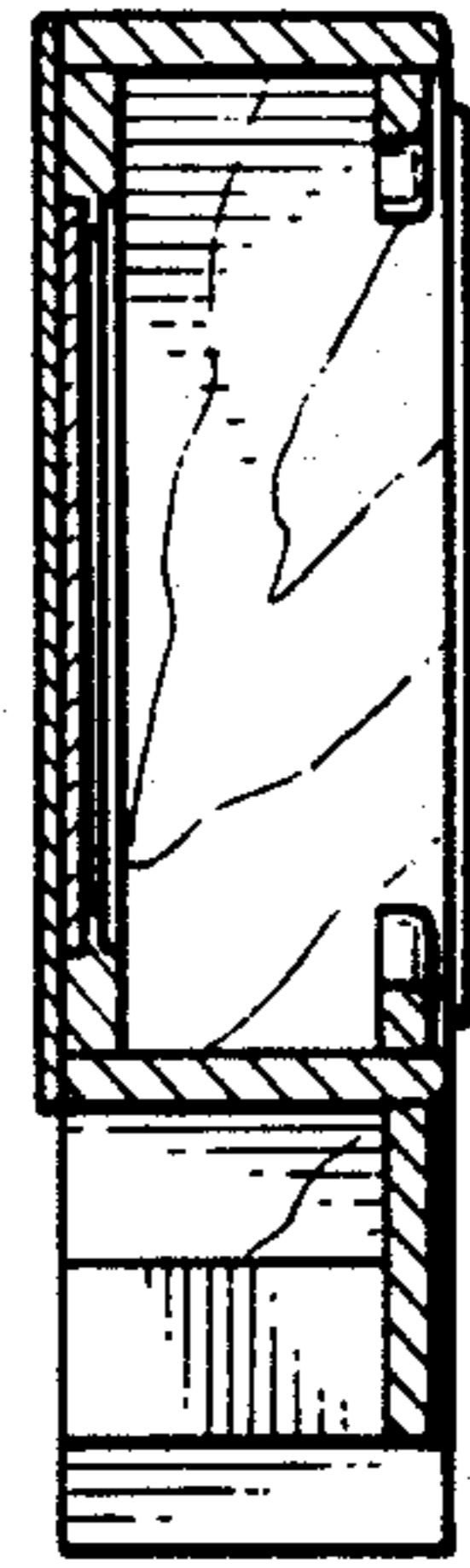


Fig. 8

