

[54] **CHAIR**

[76] **Inventor: Angelo J. Ianuzzi, 7070 N. 59th Pl., Paradise Valley, Ariz. 85253**

[**] **Term: 14 Years**

[21] **Appl. No.: 524,763**

[22] **Filed: Aug. 19, 1983**

[52] **U.S. Cl. D6/365**

[58] **Field of Search D6/364, 365, 366, 442, D6/486; 297/163, 440**

[56] **References Cited**

U.S. PATENT DOCUMENTS

- D. 207,102 3/1967 Hennessey D6/365
- D. 231,814 6/1974 Weaver D6/442
- D. 254,344 3/1980 Simmons D6/365

OTHER PUBLICATIONS

Domus, Apr. 1978, p. 35, Chair in panel 4.

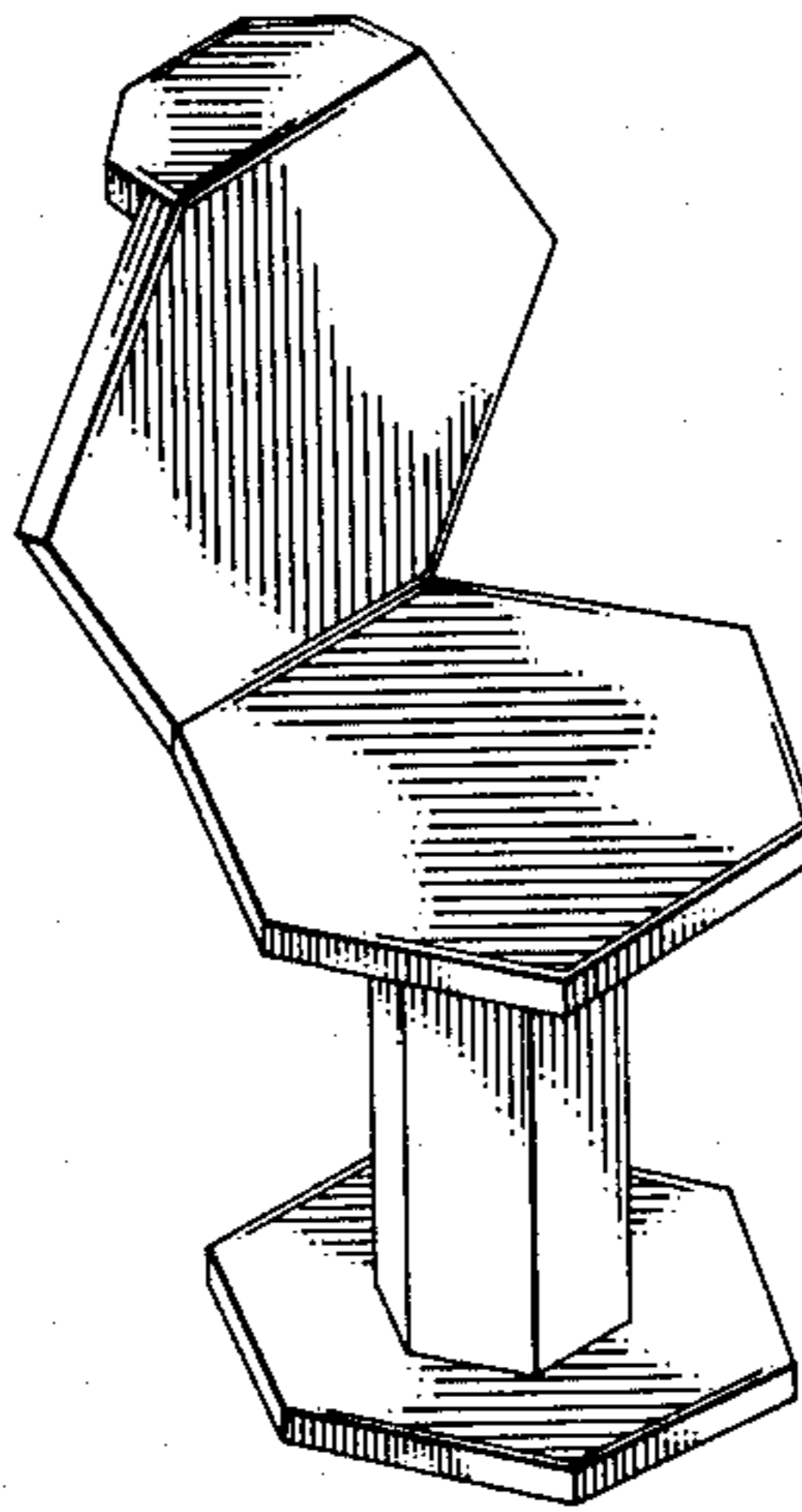
Primary Examiner—Bruce W. Dunkins
Attorney, Agent, or Firm—Cahill, Sutton & Thomas

[57] **CLAIM**

The ornamental design for a chair, as shown and described.

DESCRIPTION

FIG. 1 is a three-quarter perspective view of a chair showing my new design;
FIG. 2 is a right side elevation view on a reduced scale;
FIG. 3 is a rear elevation view on a reduced scale;
FIG. 4 is a top view on a reduced scale; and
FIG. 5 is a bottom view on a reduced scale.



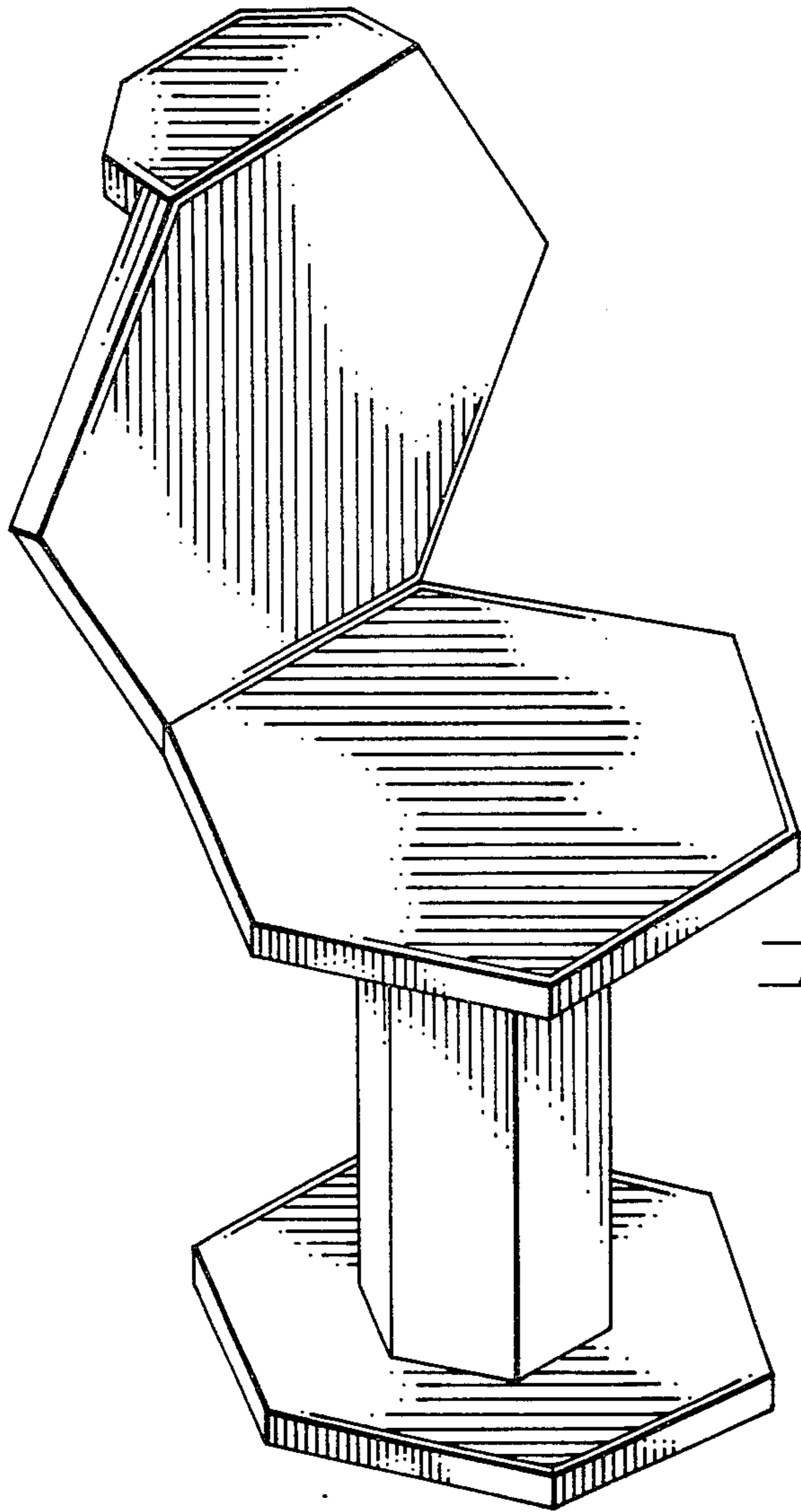


FIG. 1

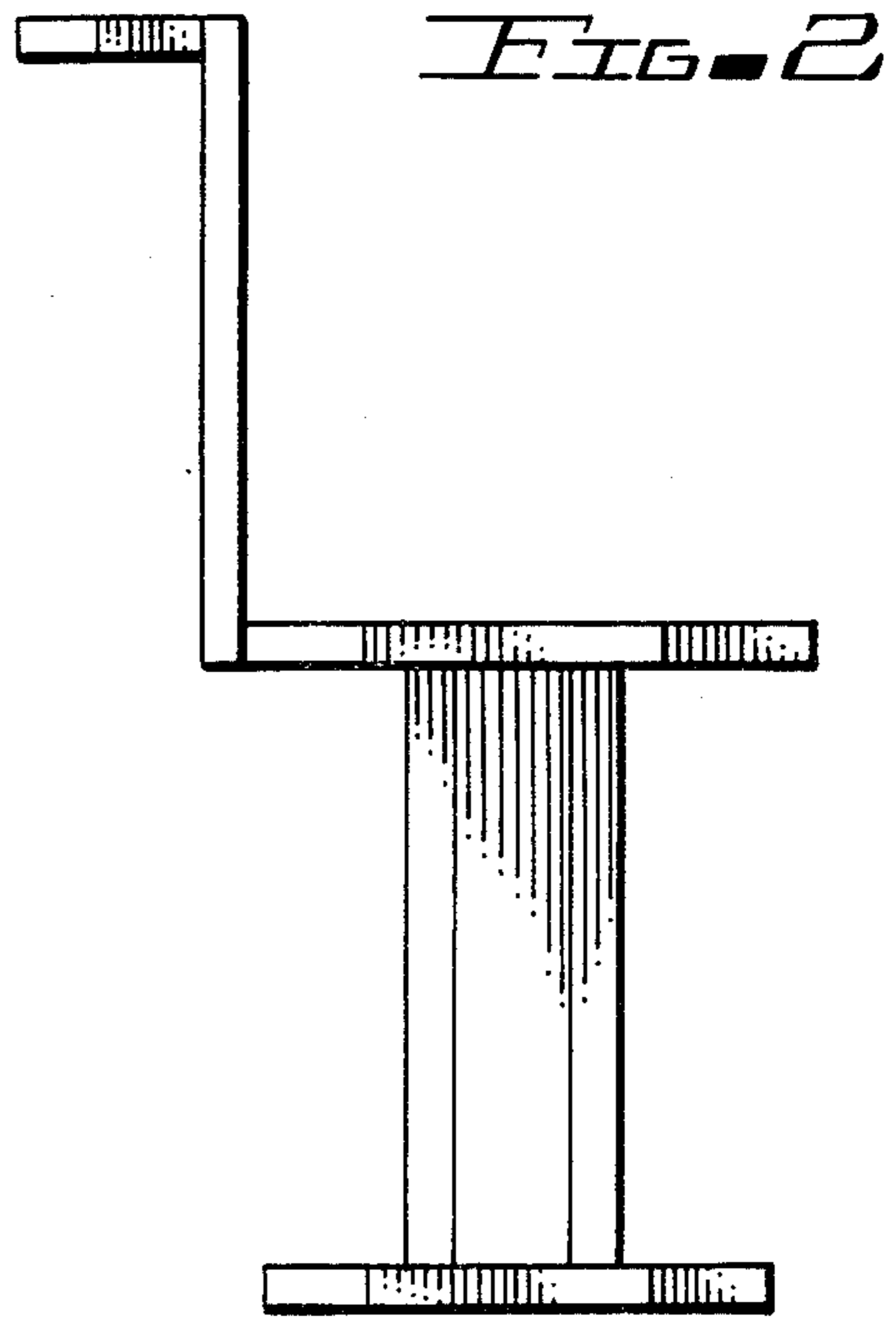


FIG. 2

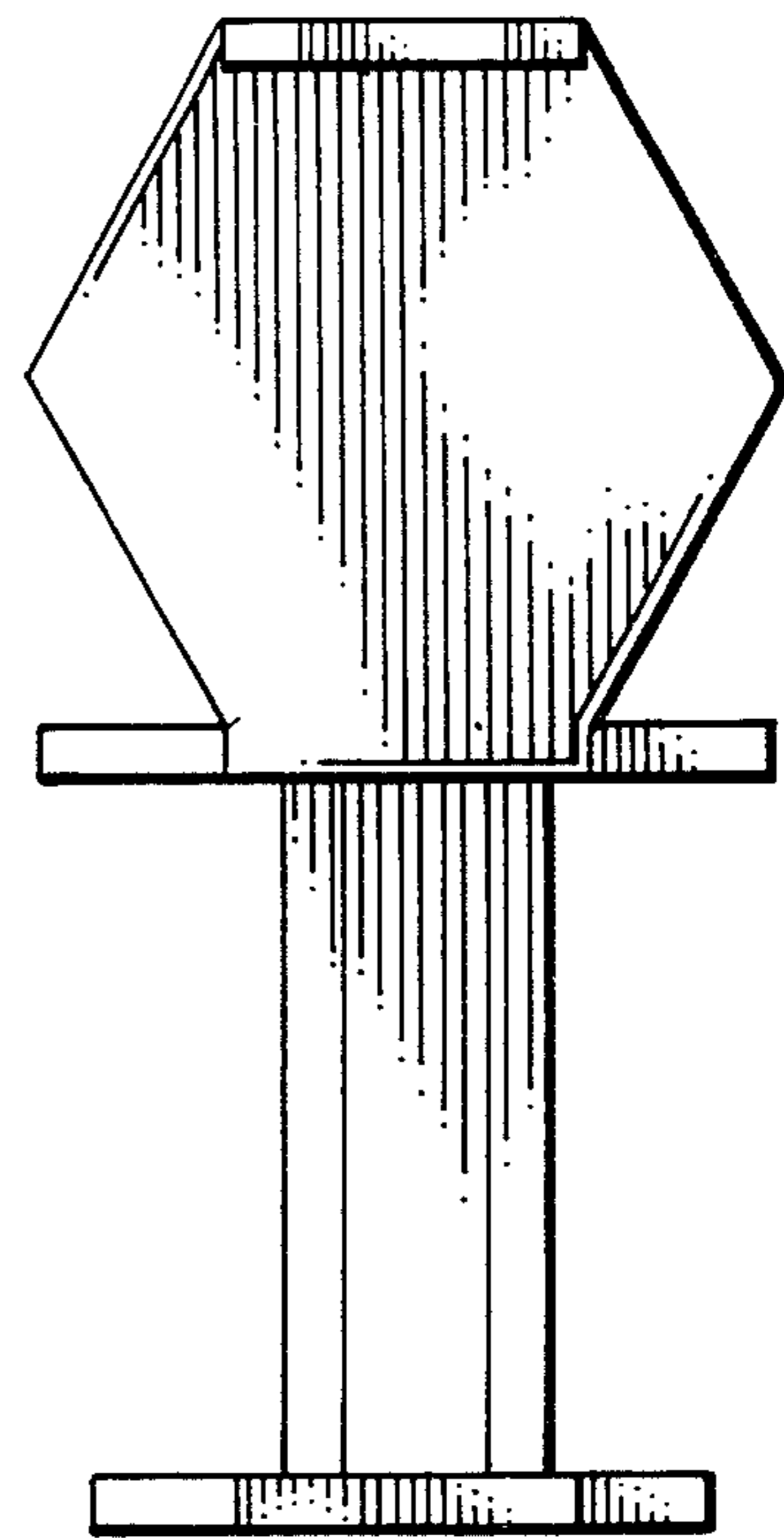


FIG. 3

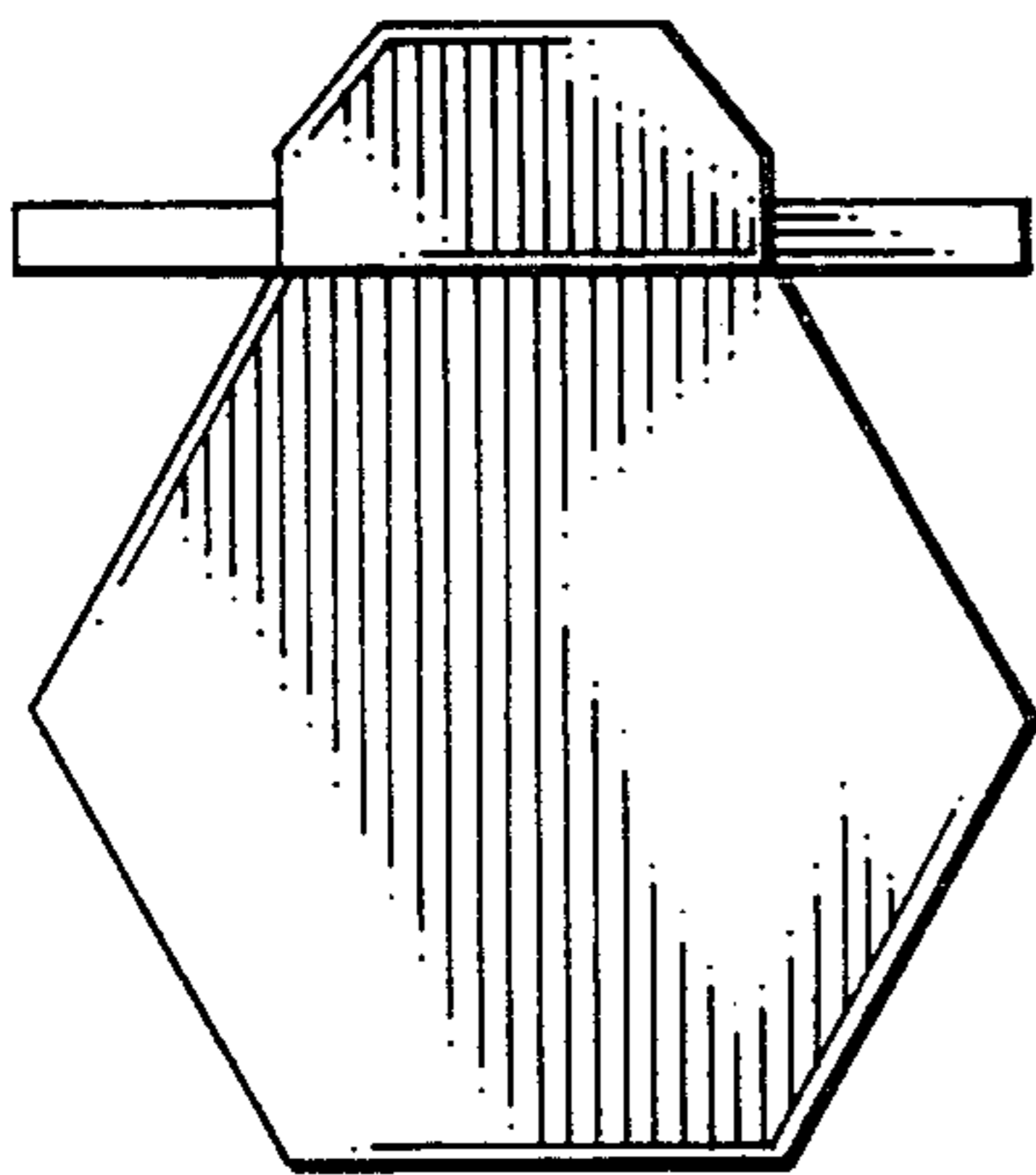


FIG. 4

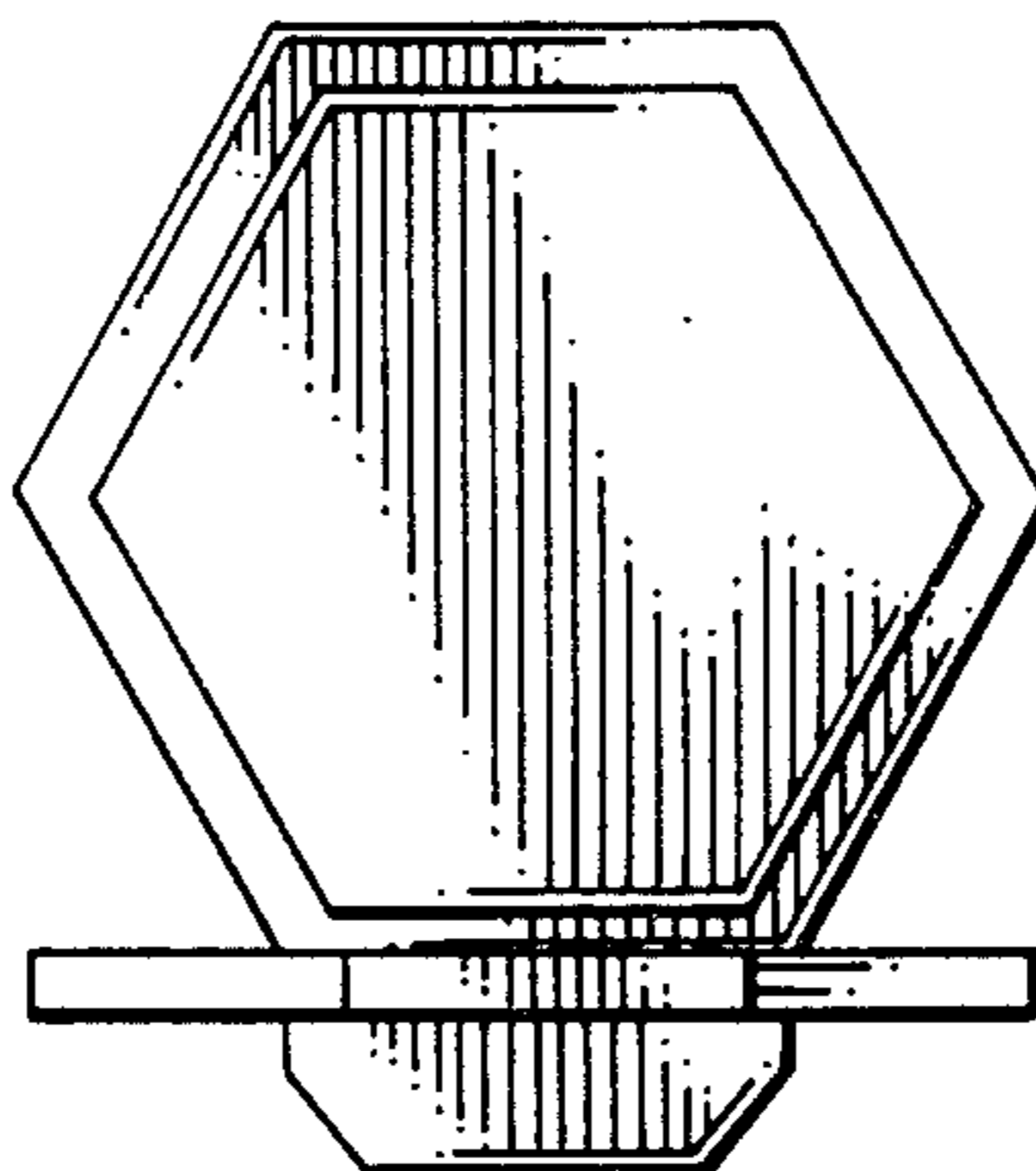


FIG. 5