

[54] CYCLE SEAT OR SIMILAR ARTICLE

[75] Inventor: Charles Persons, Huron, Ohio

[73] Assignee: Persons-Majestic Manufacturing Company, Monroeville, Ohio

[**] Term: 14 Years

[21] Appl. No.: 488,054

[22] Filed: Apr. 25, 1983

[52] U.S. Cl. D6/354

[58] Field of Search D6/354; 297/195, 214

[56] References Cited

U.S. PATENT DOCUMENTS

- D. 25,030 12/1895 Young D6/354
- 4,098,537 7/1978 Jacobs 297/195

OTHER PUBLICATIONS

American Bicyclist & Motorcyclist, 11/82, p. 24, Messenger Touring Seat, top right side of page.

American Bicyclist & Motorcyclist, 11/82, p. 55, Messenger Anatomic Padded WH-2 Seat, center, left side of page.

Primary Examiner—James M. Gandy
Attorney, Agent, or Firm—D. Peter Hochberg

[57] CLAIM

The ornamental design for a cycle seat or similar article, as shown and described.

DESCRIPTION

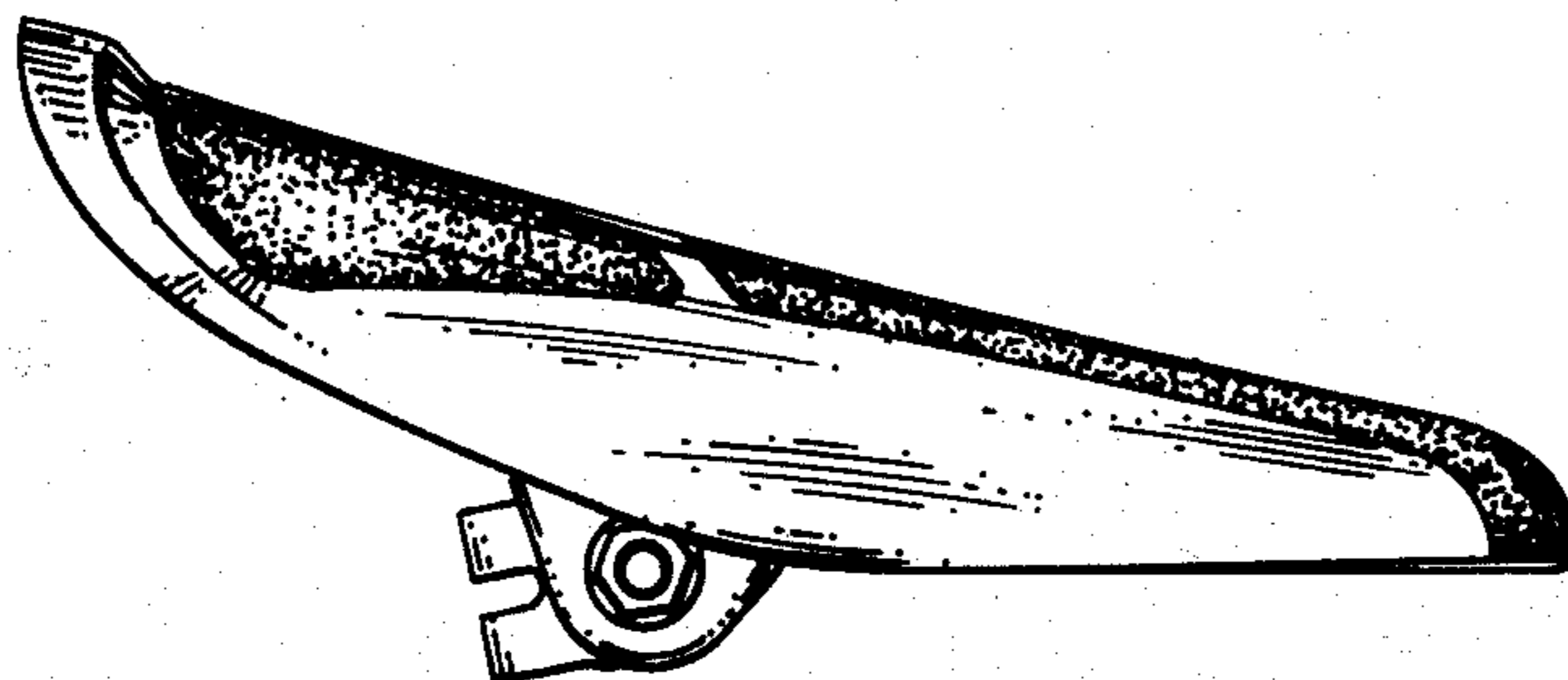
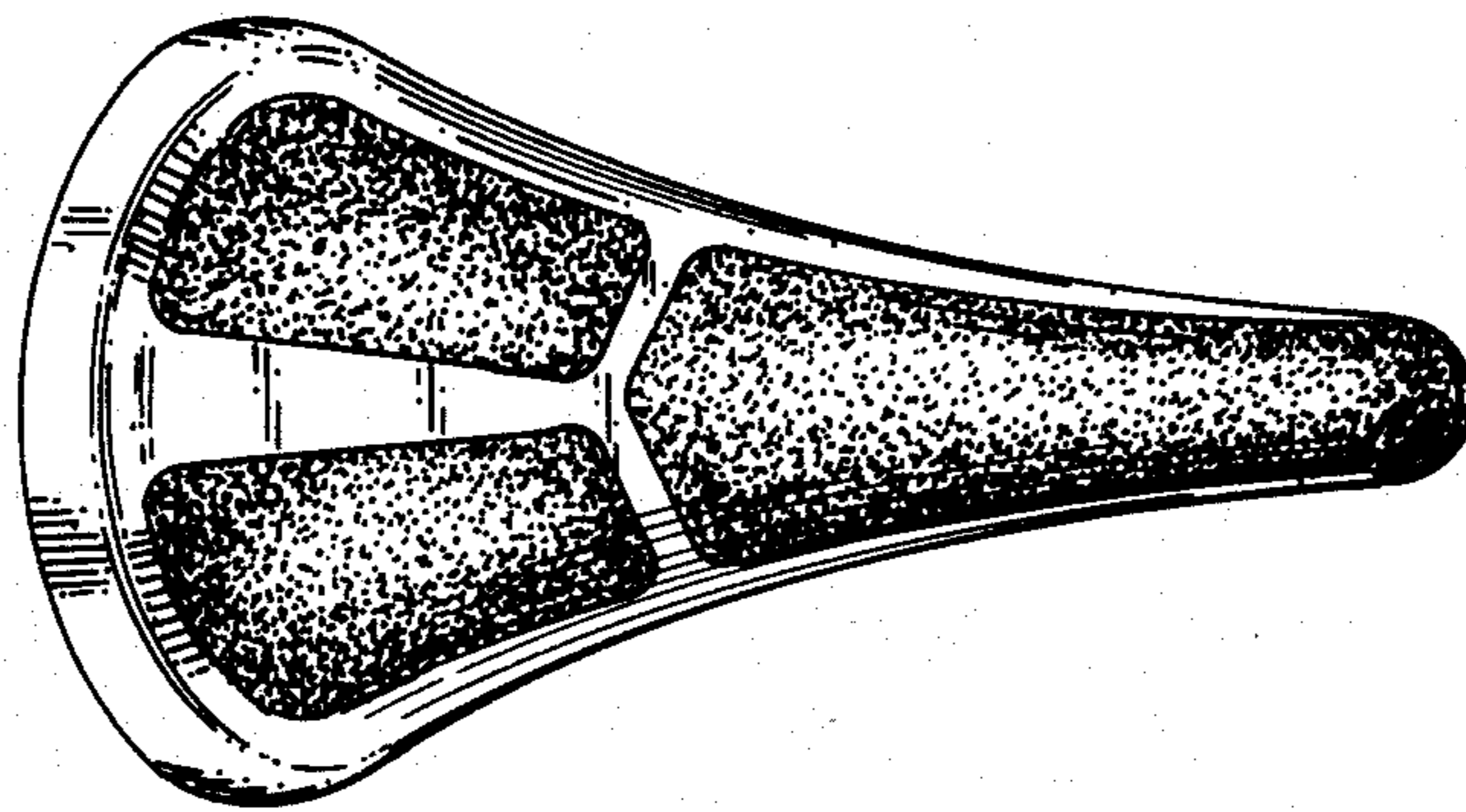
FIG. 1 is a top plan view of a cycle seat or similar article showing my new design;

FIG. 2 is a side elevation view thereof;

FIG. 3 is a bottom plan view thereof;

FIG. 4 is a front elevation view thereof; and

FIG. 5 is a rear elevation view thereof.



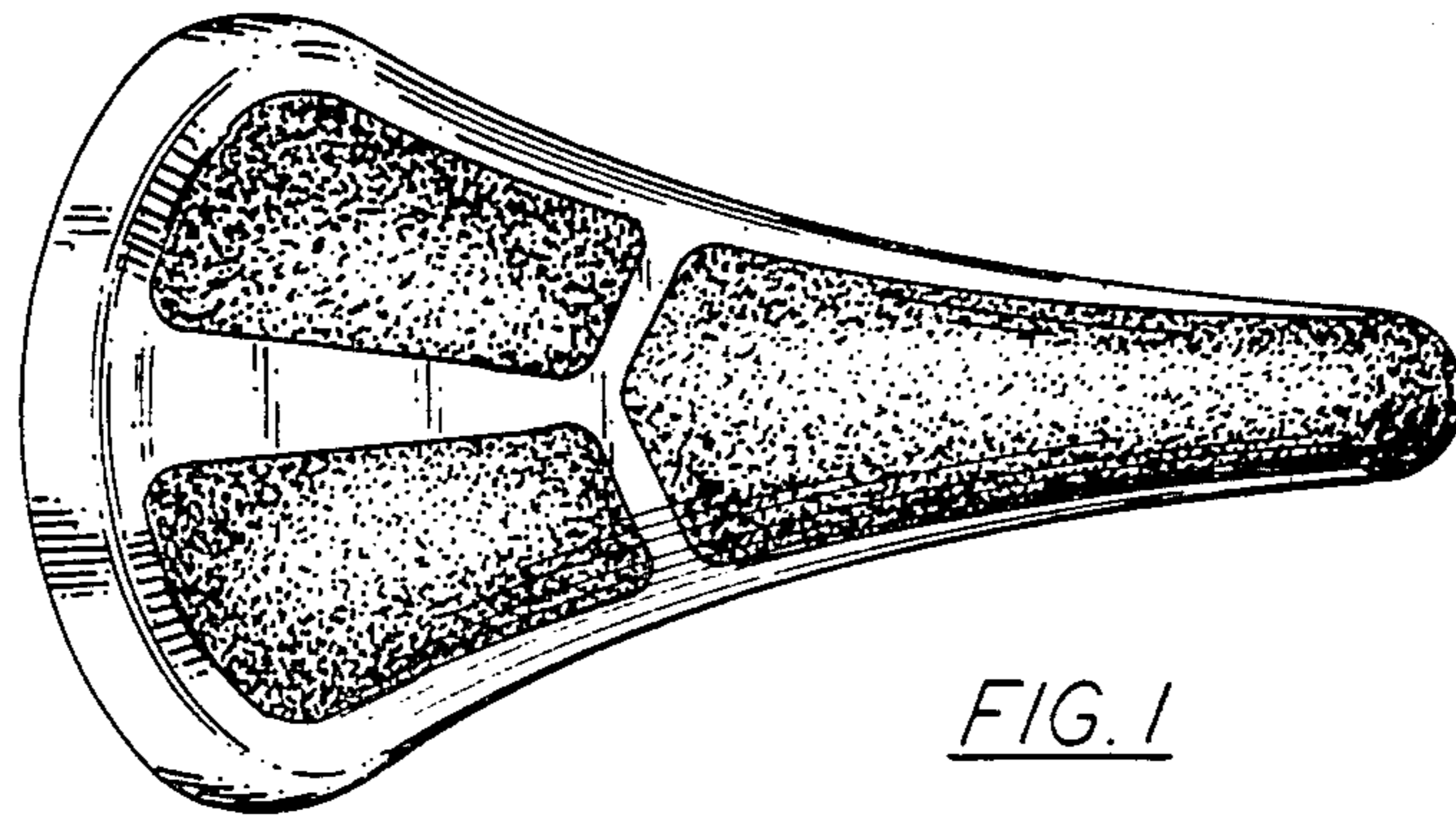


FIG. 1

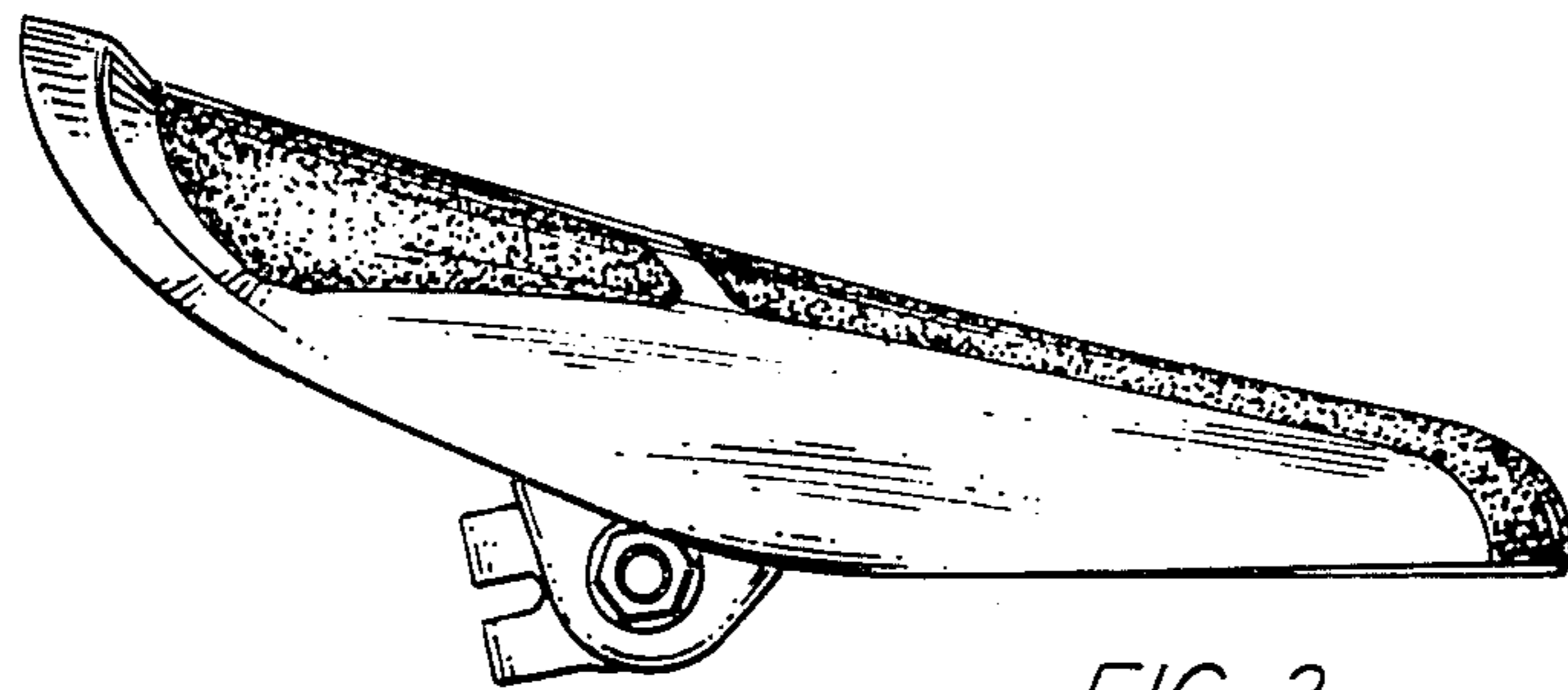


FIG. 2

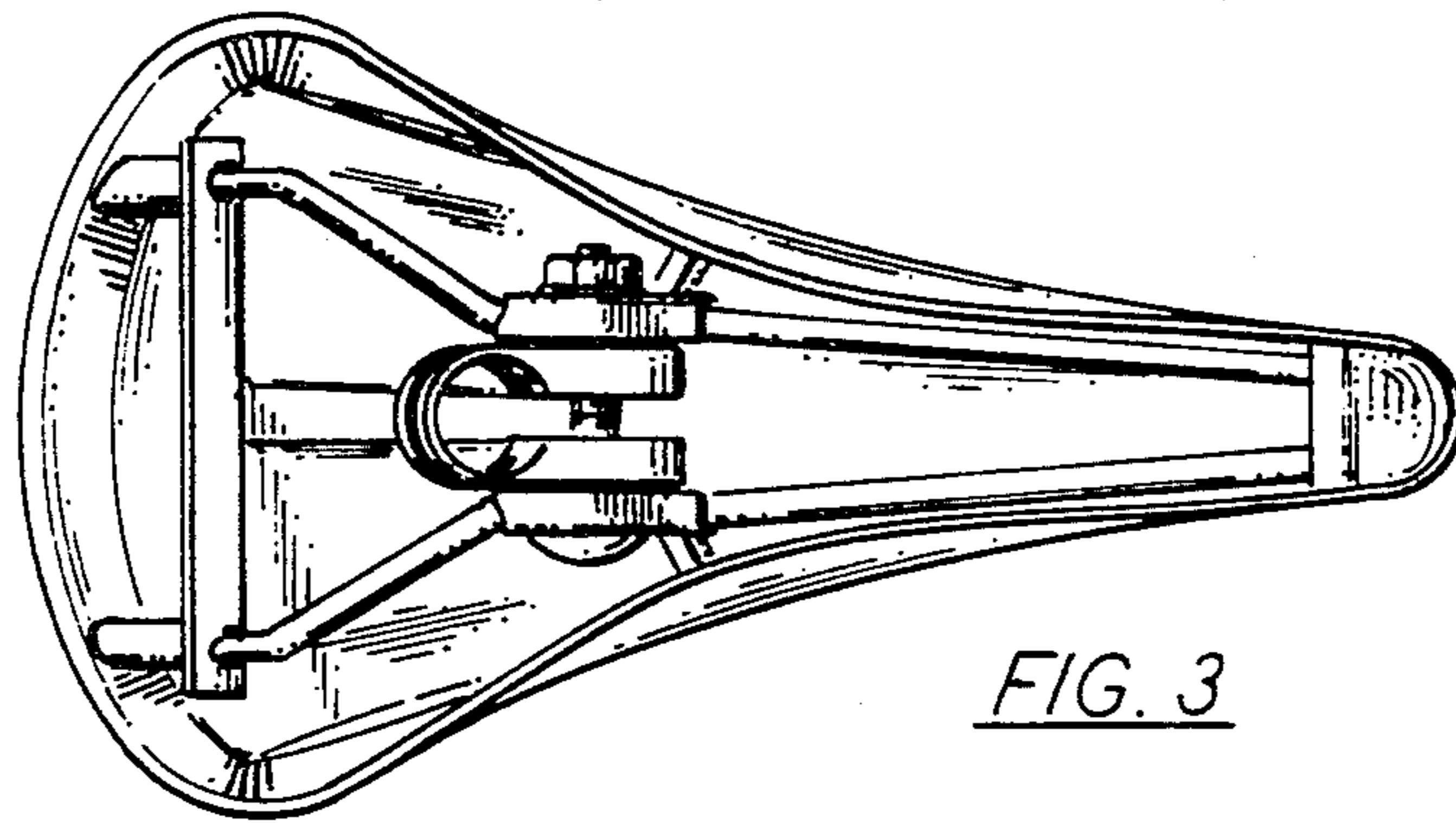


FIG. 3

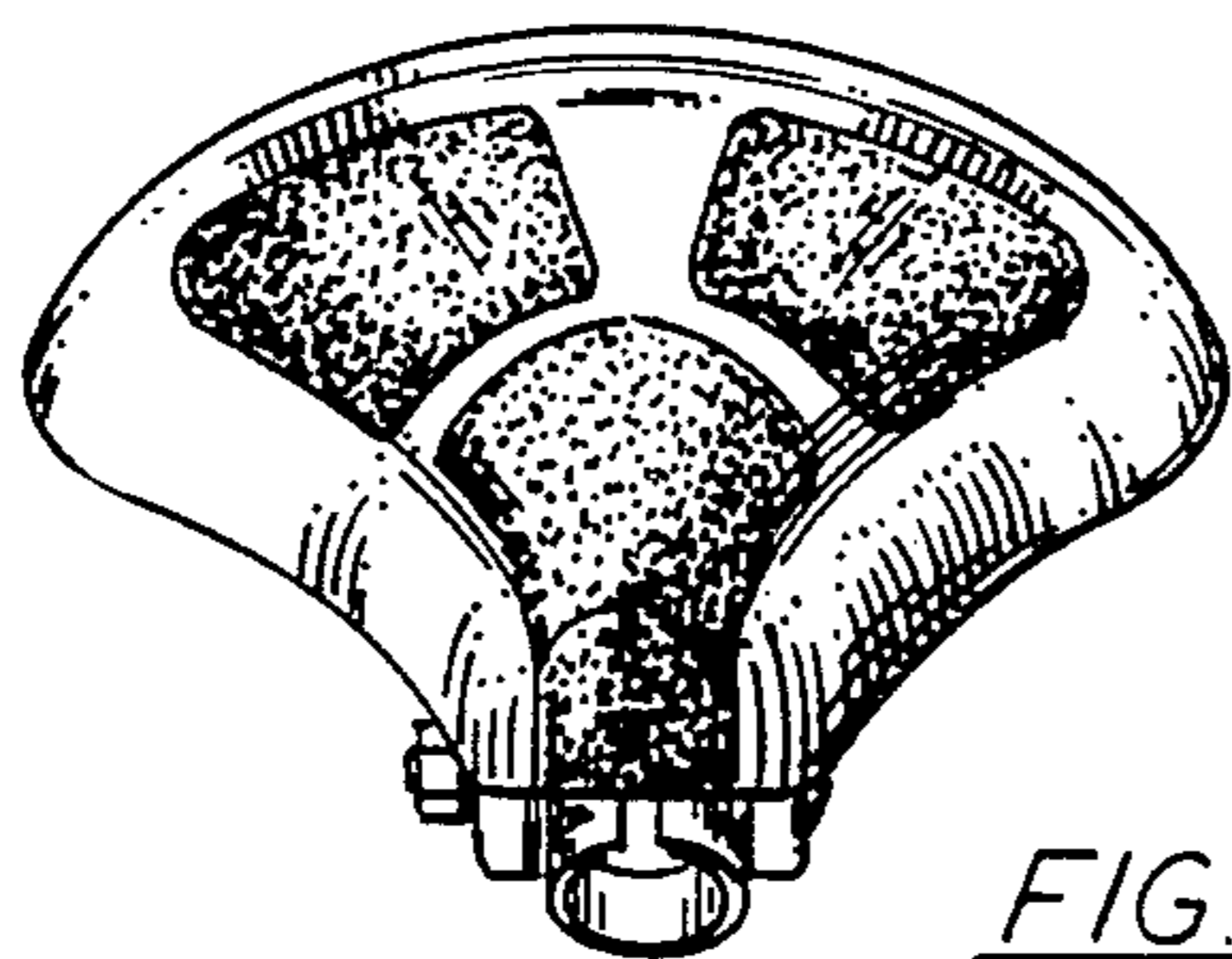


FIG. 4

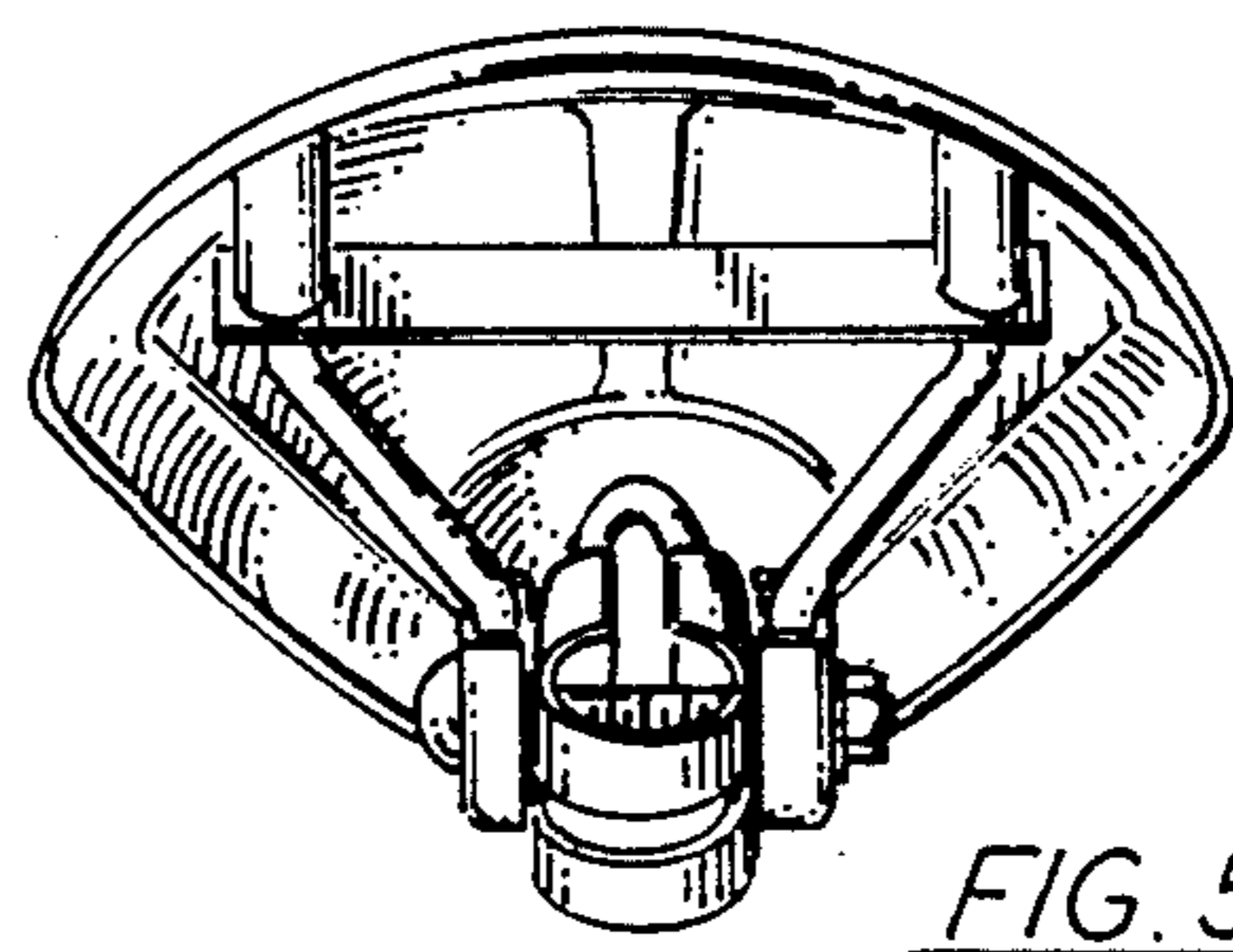


FIG. 5